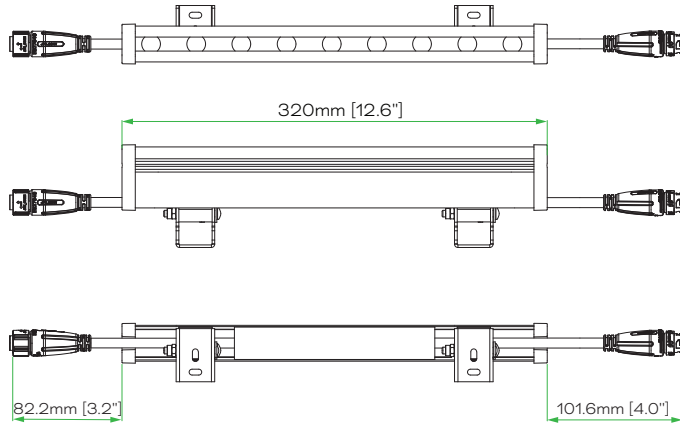


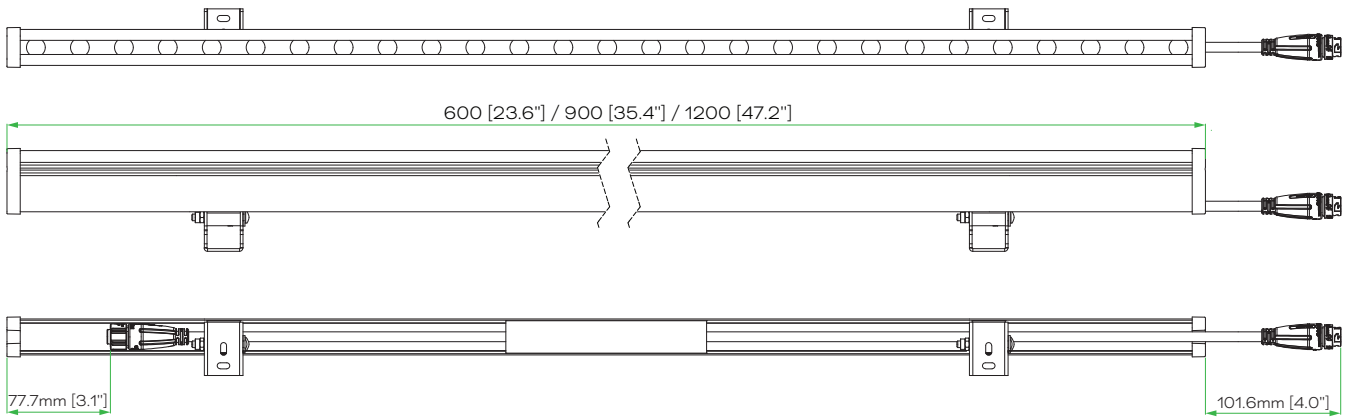


## Linear Go Mini Mounting Guide

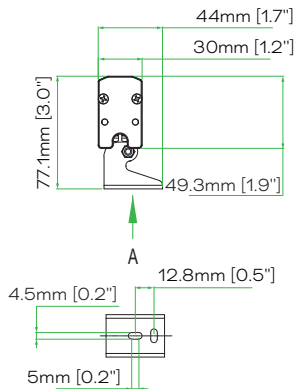
### Dimensions



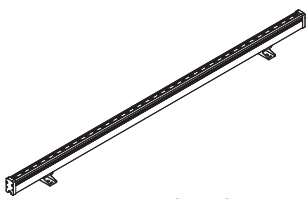
See Detail A



#### Detail A



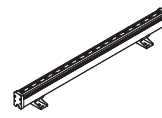
Indicator diagram of installation hole in A surface



1200 [47.2"]



900 [35.4"]



600 [23.6"]

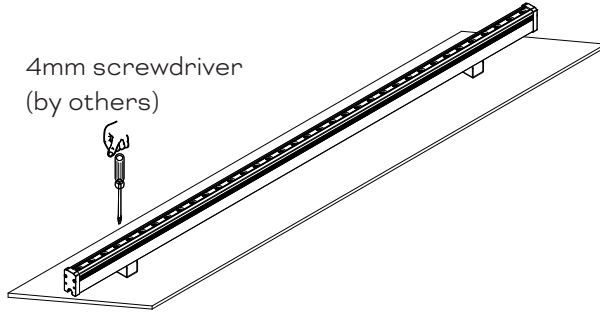


320mm [12.6"]



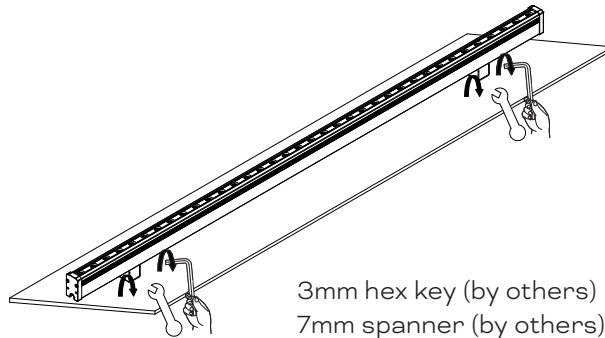
### 1 Fix the brackets and fixture fixing surface

4mm screwdriver  
(by others)

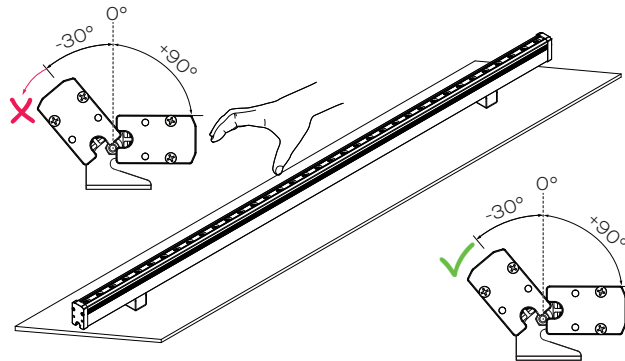


### 2 Loosen the bolts

3mm hex key (by others)  
7mm spanner (by others)

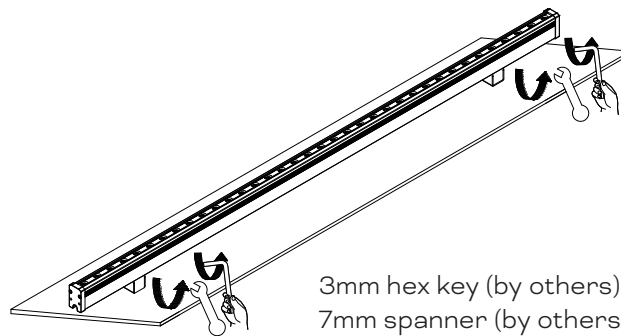


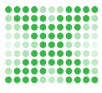
### 3 Adjust the fixture to desired angle



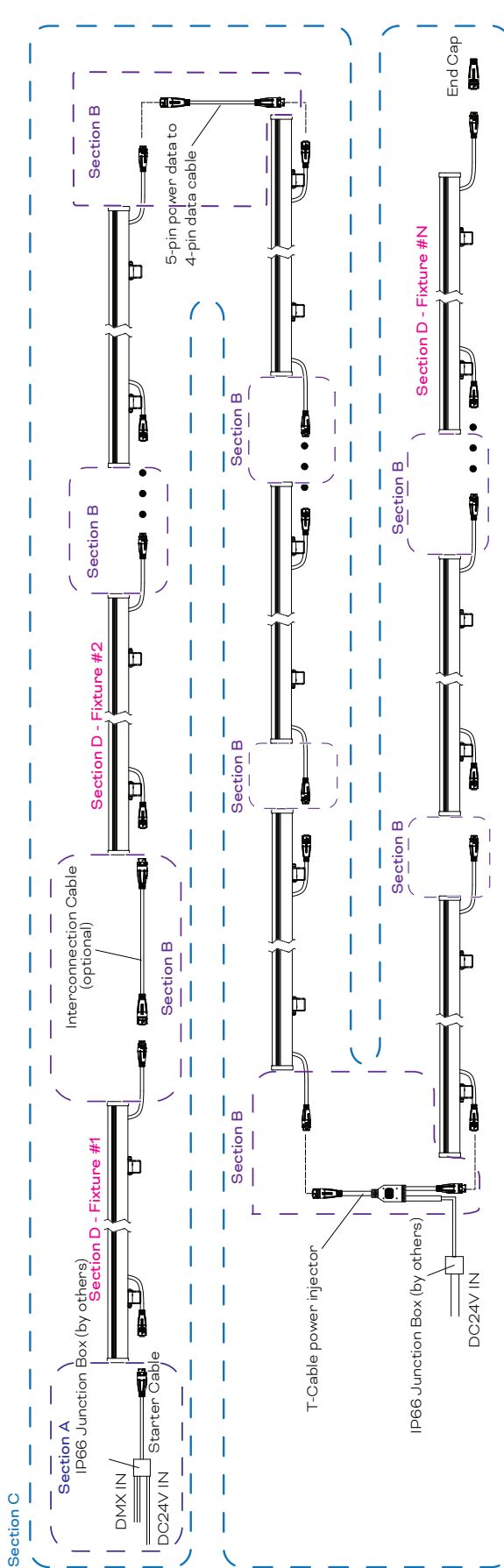
### 4 Fix the fixture with its desired angle

3mm hex key (by others)  
7mm spanner (by others)





## System Diagram (DMX T-cable)



Data cabling from DMX source to Starter cable shall be Cat5e UTP or other cable type suitable for DMX communication.

Function	Size	Color	Connection
DC24V-	1.0mm <sup>2</sup>	White	DC24V- & GND
DC24V+	1.0mm <sup>2</sup>	Black	DC24V+
DMX+	0.5mm <sup>2</sup>	Brown	DMX+
DMX-	0.5mm <sup>2</sup>	Blue	DMX-
Address	0.5mm <sup>2</sup>	Green	Do not connect

	For controlling the fixtures	For addressing the fixtures
<b>Section A.</b> Maximum distance from Control/Addressing source to the first fixture	80m / 262'	80m / 262'
<b>Section B.</b> Maximum distance between fixture to fixture	30m / 98'	12m / 39'
<b>Section C.</b> Maximum distance from Control source to last fixture on a single DMX512 link	200m / 656'	200m / 656'
<b>Section D.</b> Maximum number of fixture on a single DMX512 link	40pcs	40pcs

- Maximum number of fixture per input power line cannot exceed total wattage of 168W (CE), and 100W (US Class 2 PSU):
  - Linear Go mini 320mm / 12.6"; 4.5W or 3.4W
  - Linear Go mini 600mm / 23.6"; 9W or 6.8W
  - Linear Go mini 900mm / 35.4"; 13.5W or 10.2W
  - Linear Go mini 1200mm / 47.2"; 18W or 13.6W
- **Note: 3.4W or 4.5W per 300mm / 1ft.**  
**3.4W per foot model meets ASHRAE 90.1-2022 Zone 3 requirements.**

Example:

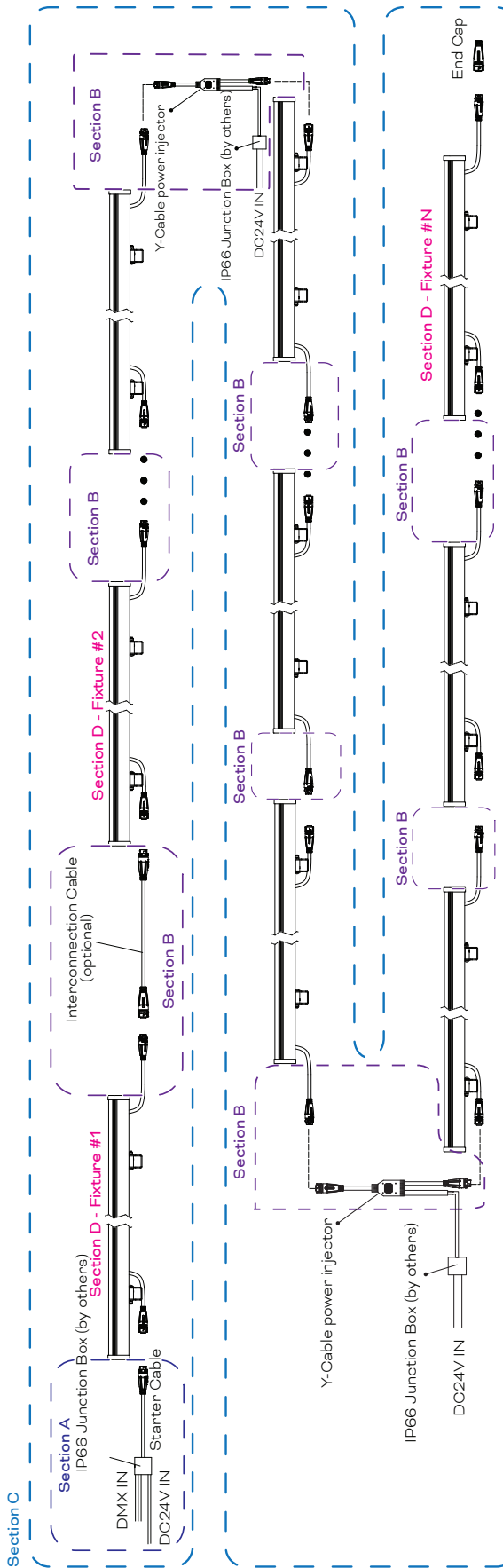
Fixture daisy chain		
Voltage	Fixture Total Power Consumption *	Max Number of fixtures
24V DC (CE)	162W	e.g. 9pcs 1200mm (18W) per PSU input chain
24V DC (ETL) with Class 2 PSU	85.5W	e.g. 4pcs 1200mm (18W) + 3pcs 320mm (4.5W) per PSU input chain

Maximum number of fixtures is based on minimal interconnection lengths fixture to fixture.  
 Actual number of fixtures is dependent on cable interconnection lengths. The number of fixtures will reduce if longer cable lengths are used. Please consult regional sales office to confirm maximums.

\* Consider some Power Supply Unit (PSU) wattage buffer for total power consumption



## System Diagram (DMX Y-cable)



Data cabling from DMX source to Starter cable shall be Cat5e UTP or other cable type suitable for DMX communication.

Function	Size	Color	Connection	For addressing the fixtures
DC24V-	1.0mm <sup>2</sup>	White	DC24V- & GND	80m / 262'
DC24V+	1.0mm <sup>2</sup>	Black	DC24V+	30m / 98'
DMX+	0.5mm <sup>2</sup>	Brown	DMX+	200m / 656'
DMX-	0.5mm <sup>2</sup>	Blue	DMX-	40pcs
Address	0.5mm <sup>2</sup>	Green	Do not connect	

Section A. Maximum distance from Control/Addressing source to the first fixture

Section B. Maximum distance between fixture to fixture

Section C. Maximum distance from Control source to last fixture on a single DMX512 link

Section D. Maximum number of fixture on a single DMX512 link

Example:

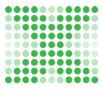
Fixture daisy chain

Voltage	Fixture Total Power Consumption *	Max Number of fixtures
24V DC (CE)	162W	e.g. 9pcs 1200mm (18W) per PSU input chain
24V DC (ETL) with Class 2 PSU	85.5W	e.g. 4pcs 1200mm (18W) + 3pcs 320mm (4.5W) per PSU input chain

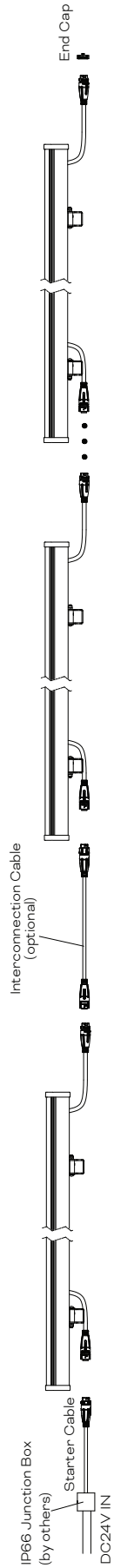
Maximum number of fixtures is based on minimal interconnection lengths fixture to fixture. Actual number of fixtures is dependent on cable interconnection lengths. The number of fixtures will reduce if longer cable lengths are used. Please consult regional sales office to confirm maximums.

\* Consider some Power Supply Unit (PSU) wattage buffer for total power consumption

Note: 3.4W or 4.5W per 300mm / 1ft.  
3.4W per foot model meets ASHRAE 90.1-2022 Zone 3 requirements.



## System Diagram (On / Off)



Function	Wire Size	Color	Connection
DC24V+	1.0mm <sup>2</sup>	Black	DC24V+
DC24V-	1.0mm <sup>2</sup>	White	DC24V- & GND

Maximum number of fixture per input power line cannot exceed total wattage of 168W (CE), and 100W (US Class 2 PSU).  
 Linear Go mini 320mm / 12.6": 4.5W or 3.4W  
 Linear Go mini 600mm / 23.6": 9W or 6.8W  
 Linear Go mini 900mm / 35.4": 13.5W or 10.2W  
 Linear Go mini 1200mm / 47.2": 18W or 13.6W

**Note: 3.4W or 4.5W per 300mm / 1ft.  
 3.4W per foot model meets ASHRAE 90.1-2022 Zone 3 requirements.**

Example:

Fixture daisy chain		Max Number of fixtures
Voltage	Fixture Total Power Consumption *	
24V DC (CE)	162W	e.g. 9pcs 1200mm (18W) per PSU input chain
24V DC (ETL) with Class 2 PSU	85.5W	e.g. 4pcs 1200mm (18W) + 3pcs 320mm (4.5W) per PSU input chain

Maximum number of fixtures is based on minimal interconnection lengths fixture to fixture.  
 Actual number of fixtures is dependent on cable interconnection lengths. The number of fixtures will reduce if longer cable lengths are used. Please consult regional sales office to confirm maximums.

\* Consider some Power Supply Unit (PSU) wattage buffer for total power consumption



- THIS FIXTURE IS SUITABLE FOR OUTDOOR OR INDOOR USED.
- THIS PRODUCT SHALL SELECT IEC/EN 61347-2-13 APPROVED LED DRIVER WITH SELV OUTPUT 24V DC AS A POWER SUPPLY.

<p>EN</p> <ul style="list-style-type: none"><li>-CONNECT TO THE POWER SUPPLY IN ACCORDANCE WITH NATIONAL REGULATIONS.</li><li>-THE EXTERNAL FLEXIBLE CABLE OR CORD OF THIS LUMINAIRE CANNOT BE REPLACED; IF THE CORD IS DAMAGED, THE LUMINAIRE SHALL BE DESTROYED.</li><li>-THE LIGHT SOURCE OF THIS LUMINAIRE IS NOT REPLACEABLE; WHEN THE LIGHT SOURCE REACHES ITS END OF LIFE THE WHOLE LUMINAIRE SHALL BE REPLACED.</li><li>-INSTALLATION/MAINTENANCE ONLY BY SKILLED PERSONNEL.</li><li>-DURING OVERHAUL/MAINTENANCE ONLY USE ORIGINAL PARTS.</li><li>-IF ANY LUMINAIRE IS SUBSEQUENTLY MODIFIED, THE PERSON RESPONSIBLE FOR THE MODIFICATION SHALL BE CONSIDERED THE MANUFACTURER.</li><li>-THE MANUFACTURER BEARS NO LIABILITY FOR DAMAGE CAUSED BY INAPPROPRIATE USE OR APPLICATION.</li><li>-<b>CLASS 2 IS FOR US AND CANADA REGION ONLY:</b> CABLES AND CONDUCTORS OF CLASS 2 CIRCUITS SHALL NOT BE PLACED IN ANY CABLE, CABLE TRAY, COMPARTMENT, ENCLOSURE, MANHOLE, OUTLET BOX, DEVICE BOX, RACEWAY, OR SIMILAR FITTING WITH CONDUCTORS OF ELECTRIC LIGHT, POWER, CLASS 1, NON-POWER-LIMITED FIRE ALARM CIRCUITS, AND MEDIUM-POWER NETWORK-POWERED BROADBAND COMMUNICATIONS CIRCUITS.</li><li>-<b>CLASS 2 IS FOR US AND CANADA REGION ONLY:</b> USE ONLY WITH CLASS 2 POWER UNIT.</li><li>-<b>CLASS 2 IS FOR US AND CANADA REGION ONLY:</b> CAUTION - DO NOT CONNECT MORE THAN POWER UNIT OUTPUT.</li></ul>	<p>DE</p> <ul style="list-style-type: none"><li>-NETZANSCHLUSS BITTE NACH DEN LÄNDERSPEZIFISCHEN ERRICHTUNGSBESTIMMUNGEN TÄTIGEN.</li><li>-FALLS DAS EXTERNE FLEXIBILE KABEL DIESER LEUCHE BESCHÄDIGT IST, DARF ES AUSSCHLIESSLICH ERSETZT WERDEN DURCH DEN HERSTELLER ODER EINER ÄHNLICH QUALIFIZIERTEN PERSON, UM GEFÄHRDUNGEN ZU VERMEIDEN.</li><li>-MONTAGE/WARTUNG NUR DURCH FACHKRÄFTE.</li><li>-BEI INSTANDSETZUNG/INSTANDHALTUNG NUR ORIGINALTEILE VERWENDEN.</li><li>-WERDEN NACHTRÄGLICH ÄNDERUNGEN AN LEUCHTEN VORGENOMMEN, SO GILT DERJENIGE ALS HERSTELLER, DER DIESE ÄNDERUNG VORNIMMT.</li><li>-DER HERSTELLER ÜBERNIMMT KEINE HAFTUNG FÜR SCHÄDEN, DIE DURCH UNSACHGEMÄSSEN EINSATZ ENTSTEHEN.</li></ul>
<p>FR</p> <ul style="list-style-type: none"><li>-CONNEXION À L'ALIMENTATION CONFORMÉMENT AUX NORMES EN VIGUEUR.</li><li>-SI LE CÂBLE EXTÉRIEUR SOUPLE OU LE CORDON DE CE LUMINAIRE EST ENDOMMAGÉ, IL DOIT ÊTRE REMPLACÉ EXCLUSIVEMENT PAR LE FABRICANT, OU TOUTE PERSONNE DE QUALIFICATION ÉQUIVALENTE, CECI AFIN D'ÉVITER TOUT RISQUE.</li><li>-LES OPÉRATIONS D'INSTALLATION ET D'ENTRETIEN DOIVENT ÊTRE EFFECTUÉES EXCLUSIVEMENT PAR DES PERSONNES QUALIFIÉES.</li><li>-DANS LE CAS D'UNE REMISE EN ÉTAT, UTILISER UNIQUEMENT DES COMPOSANTS D'ORIGINE.</li><li>-TOUTES MODIFICATIONS APPORTÉES AU LUMINAIRE SE FERONT SOUS LA RESPONSABILITÉ EXCLUSIVE DE CELUI QUI LES EFFECTUE.</li><li>-LE FABRICANT DÉCLINE TOUTE RESPONSABILITÉ RESULTANT D'UN MISE EN ŒUVRE INAPPROPRIÉE DU PRODUIT.</li><li>-<b>L'INSTALLATION DE CLASSE 2 EST RÉSERVÉE UNIQUEMENT POUR LES ÉTATS-UNIS ET CANADA:</b> A UTILISER UNIQUEMENT AVEC DES APPAREILS DE CLASSE 2.</li><li>-<b>L'INSTALLATION DE CLASSE 2 EST RÉSERVÉE UNIQUEMENT POUR LES ÉTATS-UNIS ET CANADA:</b> ATTENTION - NE PAS RACCORDER AUTRE CHOSE QUE LA SORTIE DE L'UNITÉ D'ALIMENTATION.</li></ul>	<p>IT</p> <ul style="list-style-type: none"><li>-EFFETTUARE L'ALLACCIAMENTO ALLA RETE SECONDO LE NORME DI INSTALLAZIONE VIGENTI NEL PAESE D'UTILIZZO.</li><li>-SE IL CAVO FLESSIBILE ESTERNO DI QUESTO APPARECCHIO D'ILLUMINAZIONE È DANNEGGIATO, PER EVITARE PERICOLI ESSO PUÒ ESSERE SOSTITUITO ESCLUSIVAMENTE DAL PRODUTTORE O DA PERSONA DOTATA DI ANALOGA QUALIFICA.</li><li>-MONTAGGIO/MANUTENZIONE SOLO PER MEZZO DI PERSONALE SPECIALIZZATO.</li><li>-PER RIPARAZIONE/MANUTENZIONE IMPIEGARE SOLO PARTI ORIGINALI.</li><li>-IL COSTRUTTORE SI RISERVA IL DIRITTO DI APPORTARE SENZA PREAVVISO MODIFICHE DI PESO, DIMENSIONI E CARATTERISTICHE TECNICHE.</li><li>-IL COSTRUTTORE NON È RESPONSABILE PER DANNI DERIVANTI DA MODIFICHE REALIZZATE DA TERZI E DA UNA INSTALLAZIONE NON CORRETTA.</li></ul>
<p>ES</p> <ul style="list-style-type: none"><li>-LA CONEXIÓN A RED DEBE DE REALIZARSE SIGUIENDO LAS NORMAS ESPECÍFICAS DE CADA PAÍSES.</li><li>-EN CASO DE QUE EL CABLE EXTERNO FLEXIBLE DE ESTA LUMINARIA ESTE DAÑADO SÓLO PUEDE REEMPLAZARSE POR EL FABRICANTE O UNA PERSONA SIMILAR CUALIFICADA, PARA EVITAR PELIGROS.</li><li>-EL MONTAJE Y MANTENIMIENTO LO EFECTUARÁN ÚNICAMENTE LOS TÉCNICOS ESPECIALIZADOS.</li><li>-PARA REPARACIONES HAN DE EMPLEARSE SOLO PIEZAS ORIGINALES DE RECAMBIO.</li><li>-RESERVADO EL DERECHO DE MODIFICACION DE DIMENSIONES, PESOS Y CARACTERÍSTICAS TÉCNICAS, SIN PREVIO AVISO.</li><li>-EL FABRICANTE NO ASSUME RESPONSABILIDAD POR MODIFICACIONES REALIZADAS POR TERCEROS, NIP OR INSTALACION INCORRECTA.</li></ul>	<p>PT</p> <ul style="list-style-type: none"><li>-LIGAR À FONTE DE ALIMENTAÇÃO, DE ACORDO COM A REGULAMENTAÇÃO NACIONAL.</li><li>-CASO O CABO EXTERNO E FLEXÍVEL DA LUMINÁRIA SE DANIFIQUE, DEVE SER SUBSTITUÍDO PELO FABRICANTE OU PESSOA IGUALMENTE QUALIFICADA, PARA EVITAR SITUAÇÕES DE PERIGO.</li><li>-MONTAGEM/MANUTENÇÃO EFECTUADA UNICAMENTE POR PESSOAL TÉCNICO ESPECIALIZADO.</li><li>-UTILIZAR SOMENTE PEÇAS ORIGINAIS DO FABRICANTE.</li><li>-O FABRICANTE NÃO SE RESPONSABILIZA POR DANOS RESULTANTES DA INADEQUADA UTILIZAÇÃO DOS MATERIAIS.</li></ul>
<p>EL</p> <ul style="list-style-type: none"><li>-ΗΣΥΝΔΕΣΗ ΜΕ ΤΗΝ ΠΑΡΟΧΗ ΡΕΥΜΑΤΟΣ ΝΑ ΓΙΝΕΤΑΙ ΣΥΜΦΩΝΑ ΜΕ ΤΙΣ ΕΘΝΙΚΕΣ ΠΡΟΔΙΑΓΡΑΦΕΣ.</li><li>-ΣΕ ΠΕΡΙΠΤΩΣΗ ΠΟΥ ΤΟ ΕΞΩΤΕΡΙΚΟ ΕΥΚΑΜΠΤΟ ΚΑΛΩΔΙΟ ΑΥΤΟΥ ΤΟΥ ΦΩΤΙΣΤΙΚΟΥ ΕΙΝΑΙ ΚΑΤΕΣΤΡΑΜΜΕΝΟ, ΠΡΕΠΕΙ ΝΑ ΑΝΤΙΚΑΤΑΣΤΑΘΕΙ ΑΠΟΚΛΕΙΣΤΙΚΑ ΚΑΙ ΜΟΝΟ ΑΠΟ ΤΟΝ ΚΑΤΑΣΚΕΥΑΣΤΗ Η ΑΠΟ ΑΛΛΟ ΕΞΟΥΣΙΟΔΟΤΗΜΕΝΟ ΑΤΟΜΟ, ΓΙΑ ΤΗΝ ΑΠΟΦΥΓΗ ΚΙΝΔΥΝΟΥ.</li><li>-ΤΟΠΟΘΕΤΗΣΗ/ΣΥΝΤΗΡΗΣΗ ΜΟΝΟ ΑΠΟ ΗΛΕΚΤΡΟΛΟΓΟ.</li><li>-ΚΑΤΑ ΤΗΝ ΕΠΙΣΚΕΥΗ/ΔΙΑΤΗΡΗΣΗ ΧΡΗΣΙΜΟΠΟΙΕΙΤΕ ΓΝΗΣΙΑ ΑΝΤΑΛΛΑΚΤΙΚΑ ΜΟΝΟ.</li></ul>	<p>NL</p> <ul style="list-style-type: none"><li>-AANSLUITEN OP HET LICHTNET, CONFORM DE NATIONALE REGELGEVING.</li><li>-ALS HET EXTERNE FLEXIBELE SNOER VAN DEE ARMATUUR BESCHADIGD IS, MAG DIT UITSLUITEND WORDEN VERVANGEN DOOR DE FABRIKANT OF EEN ANDERE GEKwalificeerde PERSON, OM RISICO'S TE VOORKOMEN.</li><li>-MONTAGE/SERVICE ALLEEN DOOR VAKKUNDIG PERSONEEL.</li><li>-BIJ INBEDRIJFSTELLEN/ONDERHOUD ALLEEN ORIGINELE ONDERDELEN GEBRUIKEN.</li></ul>
<p>SV</p> <ul style="list-style-type: none"><li>-NÅTANSLUTNING SKALL SKE ENLIGT NATIONELLA BESTÄMMELSER.</li><li>-ÅR DEN EXTERNA FLEXIBLA SLADDEN PÅ LAMPAN SKADAD, FÅR ENDAST TILLVERKAREN ELLER EN ANNAN PERSON MED LIKANDE KVALIFIKATIONER BYTA UT DENNA, FÖR ATT UNDVIKA FAROR.</li><li>-MONTERING AKÖTSEL ENDAÅT AV FACKFOLK.</li><li>-ANVÄND BARA ORIGINALDELAR VID IGANGSÄTTNING/UNDERHÅLL.</li></ul>	<p>NO</p> <ul style="list-style-type: none"><li>-KOBLE TIL STRØMFORSYNINGEN I HENHOLD TIL NASJONALE BESTEMMELSER.</li><li>-HVIS DEN EKSTERNE OG FLEKSIBLE KABELEN TIL DENNE LAMPEN ER SKADET, SÅ MÅ DEN KUN SKIFTES UT AV PRODUSENTEN ELLER EN LIKEVERDIG KVALISERT PERSON, FOR AT SKADER UNNGÅS.</li><li>-MONTERES KUN AV FAGPERSONELL.</li><li>-VED FEILRETNING : BRUK KUN ORIGINALDELER.</li></ul>
<p>CZ</p> <ul style="list-style-type: none"><li>-PŘIPOJENÍ K SÍŤOVÉMU NAPĚTÍ DLE PLATNÝCH NÁRODNÍCH NŮREM.</li><li>-POKUD JE EXTERNÍ PRUŽNÝ KABEL TOHOTO SVĚTIDLA POŠKODZEN, SMÍ JEHO VÝMĚNU PROVĚST POUZE VÝROBCE NEBO PODOBNĚ KVALIFIKOVANÁ OSOBA, ABY NEDOŠLO K ŽÁDNÉMU OHROŽENÍ.</li><li>-MONTÁŽ O ÚDRŽBA MŮŽE BÝT PROVÁDĚNA VÝHRADNĚ ODBORNOU OSOBOU.</li><li>-PŘI ÚDRŽBĚ NEBO OPRAVĚ MUSÍ BÝT POUŽITY JEN ORIGINÁLNÍ NÁHRADNÍ DÍLY.</li></ul>	<p>RU</p> <ul style="list-style-type: none"><li>-ВЫПОЛНИТЬ ПОДКЛЮЧЕНИЕ К СЕТИ В СООТВЕТСТВИИ С ПРИНЯТЫМИ В ДАННОЙ СТРАНЕ ПРАВИЛАМИ МОНТАЖА.</li><li>-В СЛУЧАЕ ПОВРЕЖДЕНИЯ ВНЕШНЕГО ГИБКОГО КАБЕЛЯ ЭТОГО СВЕТИЛЬНИКА, ЧТОБЫ ИСКЛЮЧИТЬ РИСК, ОН ДОЛЖЕН БЫТЬ ЗАМЕНЕН ТОЛЬКО ИЗГОТОВИТЕЛЕМ ИЛИ ЛИЦОМ, ИМЕЮЩИМ ТАКУЮ ЖЕ КВАЛИФИКАЦИЮ.</li><li>-ПРИ РЕМОНТЕ ПРИМЕНЯТЬ ТОЛЬКО ТЕЖЕ САМЫЕ ЧАСТИ.</li><li>-МОНТАЖ/ОБСЛУЖИВАНИЕ ТОЛЬКО СПЕЦИАЛИСТАМИ.</li></ul>
<p>HU</p> <ul style="list-style-type: none"><li>-OSATLAKOZTASSA A TÁPEGYSÉGBE A HELYI ELŐÍRÁSOKNAK MEGFELELŐEN.</li><li>-HA EZEN LÁMPÁK HAJLÍTHATÓ/RUGALMAS KÁBELEI MEGSÉRÜLNEK, AKKOR AZOK KIZÁRÓLAG CSAK A GYÁRTÓ VAGY HASONLÓAN KVALIFIKÁLT SZEMÉLY ÁLTAL CSERÉLHETŐK KI, HOGY ELKERÜLJÜK A BALESETEKET.</li><li>-A SZERELÉST/KARBANTÁRTAST CSAK SZAKSZEMÉLYZET VÉGEZHETI.</li><li>-ÜZEMBELHÉLYEZESNEL/KARBANTARTASNAL CSAK EREDETI ALKATRÉSZEK HASZNÁLHATÓK.</li></ul>	<p>PL</p> <ul style="list-style-type: none"><li>-ZASILANIE NALEŻY POŁĄCZYĆ ZGODNIE Z WYMAGANIAM I ODPOWIEDNICH NORM.</li><li>-W PRZYPADKU USZKODZENIA PRZEWODU ZASILAJĄCEGO NALEŻY GO WYMIENIĆ NA NOWY. WYMIANA PRZEWODU MOŻE BYĆ WYKONANA JEDYNIJE PRZEZ WYKALIFIKOWANEGO ELEKTRYKA.</li><li>-MONTAŻ/KONSERWACJA TYLKO PRZEZ FACHOWY PERSONAL.</li><li>-DLA NAPRAWY/BIEŻĄCEJ EKSPLOATACJI STOSOWAĆ TYLKO ORYGINALNE CZĘŚCI ZAMIANNE.</li></ul>
<p>SK</p> <ul style="list-style-type: none"><li>-ZAPOJTE DO EL. PRÍVODU PODLA PREDPÍSANÝCH NORIEM.</li><li>-AK JE EXTERNÝ PRUŽNÝ KÁBEL TOHTO SVETIDLA POŠKODENÝ, SMIE BYŤ NAHRADENÝ VÝLUČNE VÝROBCOM ALEBO PODOBNE KVALIFIKOVANOU OSOBOU, ABY SA ZABRÁNILO OHROZENIU.</li><li>-MONTÁŽO/VZDRŽEVANJE LAHKO IZVRŠI LE USTREZNO USPOSOBLJENA OSEBA.</li><li>-PRI POPRAVILU/VZDRŽEVALNIH DELIH SE LAHKO UPORABLJAJO SAMO ORIGINALNI DELI.</li><li>-V KOLIKOR SE NA SVETILKAH NAKNADNO IZVEDEJO SPREMEMBE, SE ZA PROIZVAJALCA SVETILKE SMATRA TISTI, KI JE IZVEDEL SPREMEMBE.</li><li>-PROIZVAJALEC NE JAMČI ZA ŠKODO, KI BI NASTALA ZARADI NEPRAVILNE UPORABE.</li></ul>	<p>TR</p> <ul style="list-style-type: none"><li>-ŞEBEKE BAĞLANTISINI LÜTFEN ÜLKEYE ÖZGÜ KURULUM KURALLARI ÇERÇEVESİNDE YAPINIZ.</li><li>-AVIZENİN (LUMINAIRE) HARICI ESNEK KABLOSUNUN HASAR GÖRMESİ DURUMUNDA, TEHLİKELERDEN KAÇINMAK ÜZERE BU SADECE ÜRETİCİ TARAFINDAN VEYA BENZERİ VASİFLİ KİŞİLER TARAFINDAN DEĞİŞTİRİLEBİLİR.</li><li>-MONTAJ VE BAKIM SADECE YETKİLİ PERSONEL TARAFINDAN YAPILMALIDIR.</li><li>-BAKIMDA SADECE ORJINAL PARÇALAR KULLANILMALIDIR.</li></ul>
<p>HR</p> <ul style="list-style-type: none"><li>-MOLIMO IZVRŠITE MREŽNI PRIKLJUČAK PREMA SPECIFIČNIM NACIONALNIM ODREDBAMA O NJEGOVOM IZRŠENJU.</li><li>-UKOLIKO JE EKSTERNI, FLEKSIBILNI KABEL TE SVJETILJKE OŠTEĆEN, ZAMJENA ISTOG JE DOZVOLJENA ISKLJUČIVO PROIZVOĐAČU ILI SLIČNO KVALIFICIRANOJ OSOBI, KAKO BI SE IZBEGLJE OPASNOSTI.</li><li>-MONTAŽU/ODRŽAVANJE MORA VRŠITI ODGOVARAJUĆE OSPOSOBLJENA OSOBA.</li><li>-PRI POPRAVKU/ODRŽAVANJU KORISTITI SAMO ORIGINALNE DIJELOVE.</li><li>-UKOLIKO SE NA SVJETILJKAMA NAKNADNO VRŠE PROMJENE, ZA PROIZVOĐAČA SVJETILJKE ĆE SE SMATRATI ONAJ KO IZMENE IZVRŠIO.</li><li>-PROIZVOĐAČ NE GARANTUJE ZA ŠTETU KOJA BI MOGLA NASTATI USLED NEPRAVILNE UPOTREBE.</li></ul>	<p>SR</p> <ul style="list-style-type: none"><li>-MOLIMO DA MREŽNI PRIKLJUČAK PROVEDETE PREMA SPECIFIČNIM NACIONALNIM ODREDBAMA O NJEGOVOM PROVDENJU.</li><li>-AKO JE EKSTERNI FLEKSIBILNI KABEL OVE SVETILJKE OŠTEĆEN, NJEGA SME DA ZAMENI ISKLJUČIVO PROIZVOĐAČ ILI NEKO SLIČNO KVALIFIKOVANO LIČE, DA BI SE IZBEGLA UGROŽAVANJA.</li><li>-MONTAŽU/ODRŽAVANJE MOŽE DA OBAVI SAMO STRUČNO OSPOSOBLJENA OSOBA.</li><li>-PRI POPRAVLJANJU/ODRŽAVANJU UPOTREBLJAVATI SAMO ORIGINALNE DELOVE.</li><li>-UKOLIKO SE NA SVETILJKAMA NAKNADNO URADE IZMENE, ZA PROIZVAĐAČA SVETILJKE ĆE SE SMATRATI ONAJ KO IZMENE IZVRŠIO.</li><li>-PROIZVAĐAČ NE GARANTUJE ZA ŠTETU KOJA BI MOGLA NASTATI USLED NEPRAVILNE UPOTREBE.</li></ul>