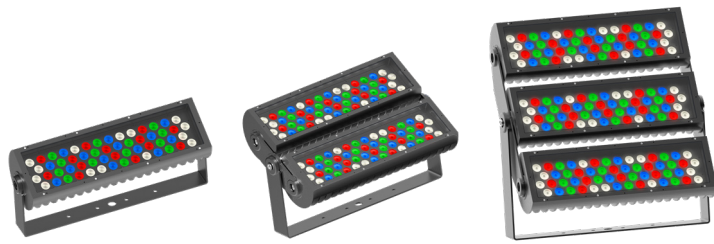


TRAXON Plus⁺

Vista Plus HO Midi RGBW



Project: _____

Type: _____



IP66



COAST



DMX/RDM



ANSI 3G



IK08



The Vista Plus HO Midi RGBW is an AC line powered, high brightness luminaire. Controllable with DMX512, the Vista Plus HO Midi RGBW is a new member of the Vista Plus family, offering 200W per head with 1-head, 2-head and 3-head options. The daisy chain topology, and direct-wire nature of the fixture via the two integral cable whips allow for simple installation into existing installations and new structures, and is ideal for high-rise and tower illumination.

This product is intended for use in high-quality colored light applications.

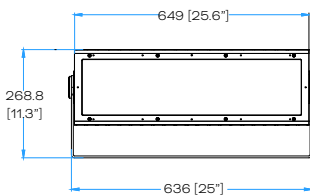
Features

- DMX / RDM control
- Easy installation and maintenance
- Dynamic Boost
- Assortment of optical and installation accessories

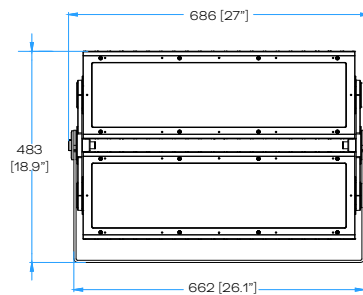
Dimensions

Unit: mm

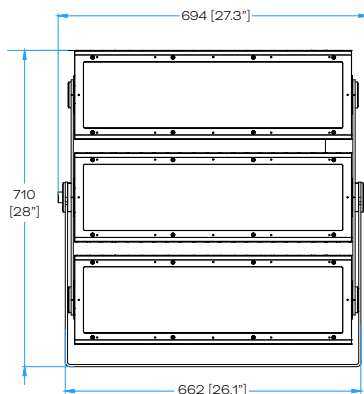
Vista Plus HO Midi 1x200W



Vista Plus HO Midi 2x200W



Vista Plus HO Midi 3x200W



Technologies

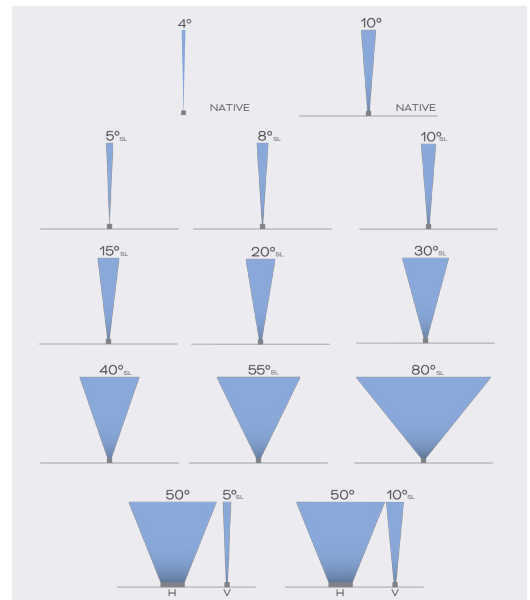
- Auto-Addressing / Manual Addressing
- Dynamic Boost

Color Options



RGBA option is on demand

Beam Angles



Finish



Traxon Signature Gray
RAL 7005



RAL 7015



RAL 9005



RAL 9003



Custom

Product Specifications

Model	1 x 200W		2 x 200W		3 x 200W	
Light Source	Discrete LED x 56		Discrete LED x 112		Discrete LED x 168	
Pixel	1 pixel per head, each head can be controlled individually					
Color Range	RGBW40 (White CCT: 4000K) with Mid Blue or Royal Blue options; Other White CCT and RGBA available on demand					
LED Quantity	RGBW Discrete (D) LED 56 pcs 14R+14G+14B+14W		RGBW Discrete (D) LED 112 pcs 28R+28G+28B+28W		RGBW Discrete (D) LED 168 pcs 42R+42G+42B+42W	
Luminous Flux (White Balance Full on)	12200 lm (4°) with Mid Blue or Royal Blue		24400 lm (4°) with Mid Blue or Royal Blue		36600 lm (4°) with Mid Blue or Royal Blue	
Candela (White Balance Full on)	659532 cd (4°) with Mid Blue or Royal Blue		1319064 cd (4°) with Mid Blue or Royal Blue		1978596 cd (4°) with Mid Blue or Royal Blue	
Efficacy (White Balance Full on)	61 lm/W (4°)					
CRI	≥80 (White LED)					
Beam Angles	4° & 10° native ¹ ; 5°, 8°, 10°, 15°, 20°, 30°, 40°, 55°, 80°, 50° x 10°, 50° x 5° via accessory					
Cover Lens	Tempered Glass					
Housing	Die Cast Aluminum					
Housing Finish Options	Standard color: Traxon Signature Gray (RAL7005) Optional color: Gray (RAL7015), Black (RAL9005), White (RAL9003), Custom					
Adjustment Options	1x200W: ±90° vertical 2x200W: ±30° vertical per head, see page 5 for additional information 3x200W: ±30° vertical per outer head, ±20° for center head, See page 6 for additional information					
Mounting	Surface Mount Optional mounting accessories are available					
Dimensions (W x D x H)	649mm x 286.8mm x 144mm / 25.6" x 11.3" x 5.7"		686mm x 483mm x 144.2mm / 27" x 18.9" x 5.7"		694mm x 710mm x 144mm / 27.3" x 28" x 5.7"	
Weight	14.5kg / 31.96lbs.		28.3 kg / 63 lbs.		44 kg / 97 lbs.	
EPA	Vista Plus 1x200W: Front: 1.02 Side: 0.42	Vista Plus 1x200W with Pole mount: Front: 1.3296 Side: 0.6576	Vista Plus 2x200W: Front: 1.032 Side: 0.9096	Vista Plus 2x200W with Pole mount: Front: 1.3392 Side: 1.1472	Vista Plus 3x200W: Front: 1.044 Side: 1.3932	Vista Plus 3x200W with Pole mount: Front: 1.351 Side: 1.632
Regulatory Listing & Safety Approval	cETLus, CE, UKCA, FCC, RoHS, REACH, ASTM B117-16, ANSI 3G					
Operating Temperature	-30°C to +55°C / -22°F to +131°F					
Minimum Starting Temperature	-20°C / -4°F					
Storage Temperature	-40°C to +80°C / -40°F to +176°F					
Environment	Outdoor, IP66, IK08, Coastal Environment (ASTM B117-16)					
Humidity	85%, non-condensing					

Electrical Specifications

Operating Voltage ²	120-277V AC 50/60Hz					
Power Consumption (W)	200		400		600	
Lumen Maintenance	L70 @25°C 81,000hrs					
Power Factor	> 0.9					

System Specifications

Power Supply	AC line					
Control	RDM Personalities ³ ; RGBW equal current mode, RGBW White balance mode (Default, RGBW40 full on to 6500K), Dynamic boost mode, 16-Bit					
Addressing Options ⁴	Auto-addressing ON or Auto-addressing OFF (Default as Auto-addressing OFF, address through RDM)					

1: 4° native with actual measurement of avg. 4.8°.

2: Auto-switching. Single phase (line, neutral and ground).

3: RDM Personalities

- RGBW Equal Current mode: Each R, G, B, W channel is driven by the same driving current

- RGBW White Balance mode: Each R, G, B, W channel is driven by a modified driving current so that when RGBW is all on, the resulted white is balanced to a defined CCT. In the case of Vista Plus standard RGBW30, when 4 channels are turned on with the same DMX value, the resulted White color is balanced to an approximate 4000K CCT.

- Dynamic Boost mode: In applications where not all channels of a fixture are used, a portion of the unused channels' power would be redirected to the channel(s) that is(are) used to boost the light output. For a RGBW fixture, depending on whether 1, 2 or 3 channels are in used, the redirected power would vary, and in the case that all 4 channels are used, there will be no boost and the efficacy would be lower than Equal current mode/White Balance mode. Ideal for application when mainly 1 to 3 channels are used to offer higher total lumen per color.

4: Auto-addressing Off (i.e. Manual addressing) is as default.

LED CHARACTERISTICS Because LEDs are semiconductor devices, their performances are subject to inherent variability commonly found in semiconductor industry. To improve consistency in performance across the same product, LED manufacturers "sort" LEDs into bins according to different preset parameters, such as forward driving voltage, illumination, etc. Whereas binning is a sorting function, it is not a correction process. Inherent variability in the manufacturing process results always in different binning distributions according to different production lots. Traxon uses automatically binned LEDs on its products, thereby minimizing output variations within the model range.

As with all electronic devices, LED output degrades over time – a term called lumen depreciation. This also explains why it is nearly impossible to expect photometric performances of two LED products with different service life spans to be the same. The rate of LED degrade is a complicated function of many factors such as operating efficiency, duration of continuous operation, and more significantly, environmental conditions (ambient temperature for example). If allowed working under optimal operating temperature range and with good ventilation, LED devices enjoy long service lives over conventional light sources. When using/installing LED devices, care should be taken to ensure that the devices will operate within the operating conditions specified in respective product literature.

This product contains a light source of energy efficiency class G to Regulation (EU) No 2019/2015.

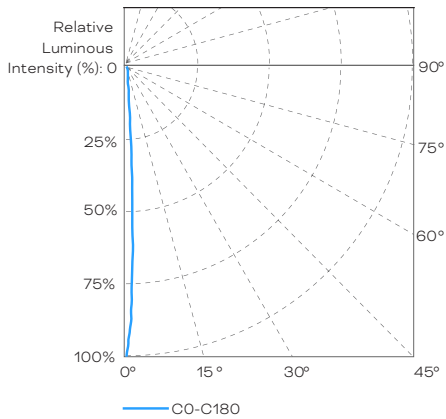
Lumen measurement complies with LM-79-08 standard.

Lumen maintenance is calculated based on LM-80 compliant measurement.

Source Specifications

Length Option	1x200W	2x200W	3x200W
Source	RGBW Discrete (D) LED 56 pcs 14R+14G+14B+14W	RGBW Discrete (D) LED 112 pcs 28R+28G+28B+28W	RGBW Discrete (D) LED 168 pcs 42R+42G+42B+42W
Optics	4°		

Candela Distribution



Illuminance at a Distance

	Center Beam LUX/klm	Beam Width	
16m	240	1.34m / 4.40'	52.49'
32m	60	2.68m / 8.79'	104.99'
48m	27	4.02m / 13.19'	157.48'
64m	15	5.36m / 17.59'	209.97'
80m	10	6.71m / 22.01'	262.47'

For Foot-candle divide by 10.7

IES and LDT files are available for download from the Traxon website.

Horiz. Spread: 4.8°

Light Output - White Balance Mode

	Color With Mid Blue	Luminous Flux (lm)	Center Intensity (cd)	Efficacy (lm/W)
1x200W	RGBW (Full On)	12200.0	659532	61.0
	RGB	6558.9	354572	49.2
	Red	1510.9	81678	33.1
	Green	4939.5	267027	71.8
	Mid Blue	212.4	11483	8.2
	White 4000K	6171.7	333641	86.0
2x200W	RGBW (Full On)	24400.0	1319064	61.0
	RGB	13117.7	709144	49.2
	Red	3021.8	163357	33.1
	Green	9878.9	534053	71.8
	Mid Blue	424.8	22965	8.2
	White 4000K	12343.4	667283	86.0
3x200W	RGBW (Full On)	36600.0	1978596	61.0
	RGB	19676.6	1063716	49.2
	Red	4532.6	245035	33.1
	Green	14818.4	801080	71.8
	Mid Blue	637.2	34448	8.2
	White 4000K	18515.1	1000924	86.0

Luminaire setting: White Balance mode.

Light Output - Dynamic Boost Mode

	Color With Mid Blue	Luminous Flux (lm)	Center Intensity (cd)	Efficacy (lm/W)
1x200W	RGBW (Full On)	8800.0	475728	44.0
	RGB	6237.9	337219	31.2
	Red	2341.0	126553	19.7
	Green	7040.7	380622	57.5
	Mid Blue	996.2	53852	7.9
	White 4000K	8639.1	467031	71.5
2x200W	RGBW (Full On)	17600.0	951456	44.0
	RGB	12475.7	674438	31.2
	Red	4681.9	253106	19.7
	Green	14081.5	761244	57.5
	Mid Blue	1992.3	107705	7.9
	White 4000K	17278.2	934062	71.5
3x200W	RGBW (Full On)	26400.0	1427184	44.0
	RGB	18713.6	1011657	31.2
	Red	7022.9	379659	19.7
	Green	21122.2	1141865	57.5
	Mid Blue	2988.5	161557	7.9
	White 4000K	25917.4	1401092	71.5

Luminaire setting: Dynamic Boost mode.

Light Output - White Balance Mode

	Color With Royal Blue	Luminous Flux (lm)	Center Intensity (cd)	Efficacy (lm/W)
1x200W	RGBW (Full On)	12200.0	659532	61.0
	RGB	6558.9	354572	49.2
	Red	1510.9	81678	33.1
	Green	4939.5	267027	71.8
	Royal Blue	55.2	2985	2.1
	White 4000K	6171.7	333641	86.0
2x200W	RGBW (Full On)	24400.0	1319064	61.0
	RGB	13117.7	709144	49.2
	Red	3021.8	163357	33.1
	Green	9878.9	534053	71.8
	Royal Blue	110.4	5971	2.1
	White 4000K	12343.4	667283	86.0
3x200W	RGBW (Full On)	36600.0	1978596	61.0
	RGB	19676.6	1063716	49.2
	Red	4532.6	245035	33.1
	Green	14818.4	801080	71.8
	Royal Blue	165.7	8956	2.1
	White 4000K	18515.1	1000924	86.0

Luminaire setting: White Balance mode.

Light Output - Dynamic Boost Mode

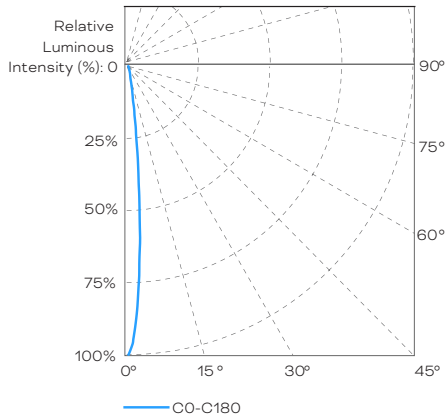
	Color With Royal Blue	Luminous Flux (lm)	Center Intensity (cd)	Efficacy (lm/W)
1x200W	RGBW (Full On)	8800.0	475728	44.0
	RGB	6237.9	337219	31.2
	Red	2341.0	126553	19.7
	Green	7040.7	380622	57.5
	Royal Blue	259.0	14002	2.1
	White 4000K	8639.1	467031	71.5
2x200W	RGBW (Full On)	17600.0	951456	44.0
	RGB	12475.7	674438	31.2
	Red	4681.9	253106	19.7
	Green	14081.5	761244	57.5
	Royal Blue	518.0	28003	2.1
	White 4000K	17278.2	934062	71.5
3x200W	RGBW (Full On)	26400.0	1427184	44.0
	RGB	18713.6	1011657	31.2
	Red	7022.9	379659	19.7
	Green	21122.2	1141865	57.5
	Royal Blue	777.0	42005	2.1
	White 4000K	25917.4	1401092	71.5

Luminaire setting: Dynamic Boost mode.

Source Specifications

Length Option	1x200W	2x200W	3x200W
Source	RGBW Discrete (D) LED 56 pcs 14R+14G+14B+14W	RGBW Discrete (D) LED 112 pcs 28R+28G+28B+28W	RGBW Discrete (D) LED 168 pcs 42R+42G+42B+42W
Optics	10°		

Candela Distribution



	Center Beam LUX/klm	Beam Width	
0.5m	96750	0.08m / 0.26'	1.64'
1m	24187	0.16m / 0.52'	3.28'
1.5m	10750	0.24m / 0.79'	4.92'
2m	6047	0.32m / 1.05'	6.56'
2.5m	3870	0.40m / 1.31'	8.2'
3m	2687	0.48m / 1.57'	9.84'

For Foot-candle divide by 10.7
IES and LDT files are available for download from the Traxon website.

Light Output - White Balance Mode

	Color With Mid Blue	Luminous Flux (lm)	Center Intensity (cd)	Efficacy (lm/W)
1x200W	RGBW (Full On)	11224.0	296916	56.1
	RGB	6034.2	159626	45.2
	Red	1390.0	36771	30.5
	Green	4544.3	120213	66.1
	Mid Blue	195.4	5169	7.5
	White 4000K	5678.0	150203	79.1
2x200W	RGBW (Full On)	22448.0	593833	56.1
	RGB	12068.3	319251	45.2
	Red	2780.0	73542	30.5
	Green	9088.6	240427	66.1
	Mid Blue	390.8	10339	7.5
	White 4000K	11355.9	300406	79.1
3x200W	RGBW (Full On)	33672.0	890749	56.1
	RGB	18102.5	478877	45.2
	Red	4170.0	110313	30.5
	Green	13632.9	360640	66.1
	Mid Blue	586.2	15508	7.5
	White 4000K	17033.9	450609	79.1

Luminaire setting: White Balance mode.

Light Output - Dynamic Boost Mode

	Color With Mid Blue	Luminous Flux (lm)	Center Intensity (cd)	Efficacy (lm/W)
1x200W	RGBW (Full On)	8096.0	214169	40.5
	RGB	5738.8	151813	28.7
	Red	2153.7	56973	18.1
	Green	6477.5	171353	52.9
	Mid Blue	916.5	24244	7.3
	White 4000K	7948.0	210254	65.8
2x200W	RGBW (Full On)	16192.0	428338	40.5
	RGB	11477.7	303627	28.7
	Red	4307.4	113946	18.1
	Green	12954.9	342706	52.9
	Mid Blue	1832.9	48488	7.3
	White 4000K	15896.0	420507	65.8
3x200W	RGBW (Full On)	24288.0	642507	40.5
	RGB	17216.5	455440	28.7
	Red	6461.1	170920	18.1
	Green	19432.4	514059	52.9
	Mid Blue	2749.4	72732	7.3
	White 4000K	23844.0	630761	65.8

Luminaire setting: Dynamic Boost mode.

Light Output - White Balance Mode

	Color With Royal Blue	Luminous Flux (lm)	Center Intensity (cd)	Efficacy (lm/W)
1x200W	RGBW (Full On)	11224.0	296916	56.1
	RGB	6034.2	159626	45.2
	Red	1390.0	36771	30.5
	Green	4544.3	120213	66.1
	Royal Blue	50.8	1344	2.0
	White 4000K	5678.0	150203	79.1
2x200W	RGBW (Full On)	22448.0	593833	56.1
	RGB	12068.3	319251	45.2
	Red	2780.0	73542	30.5
	Green	9088.6	240427	66.1
	Royal Blue	101.6	2688	2.0
	White 4000K	11355.9	300406	79.1
3x200W	RGBW (Full On)	33672.0	890749	56.1
	RGB	18102.5	478877	45.2
	Red	4170.0	110313	30.5
	Green	13632.9	360640	66.1
	Royal Blue	152.4	4032	2.0
	White 4000K	17033.9	450609	79.1

Luminaire setting: White Balance mode.

Light Output - Dynamic Boost Mode

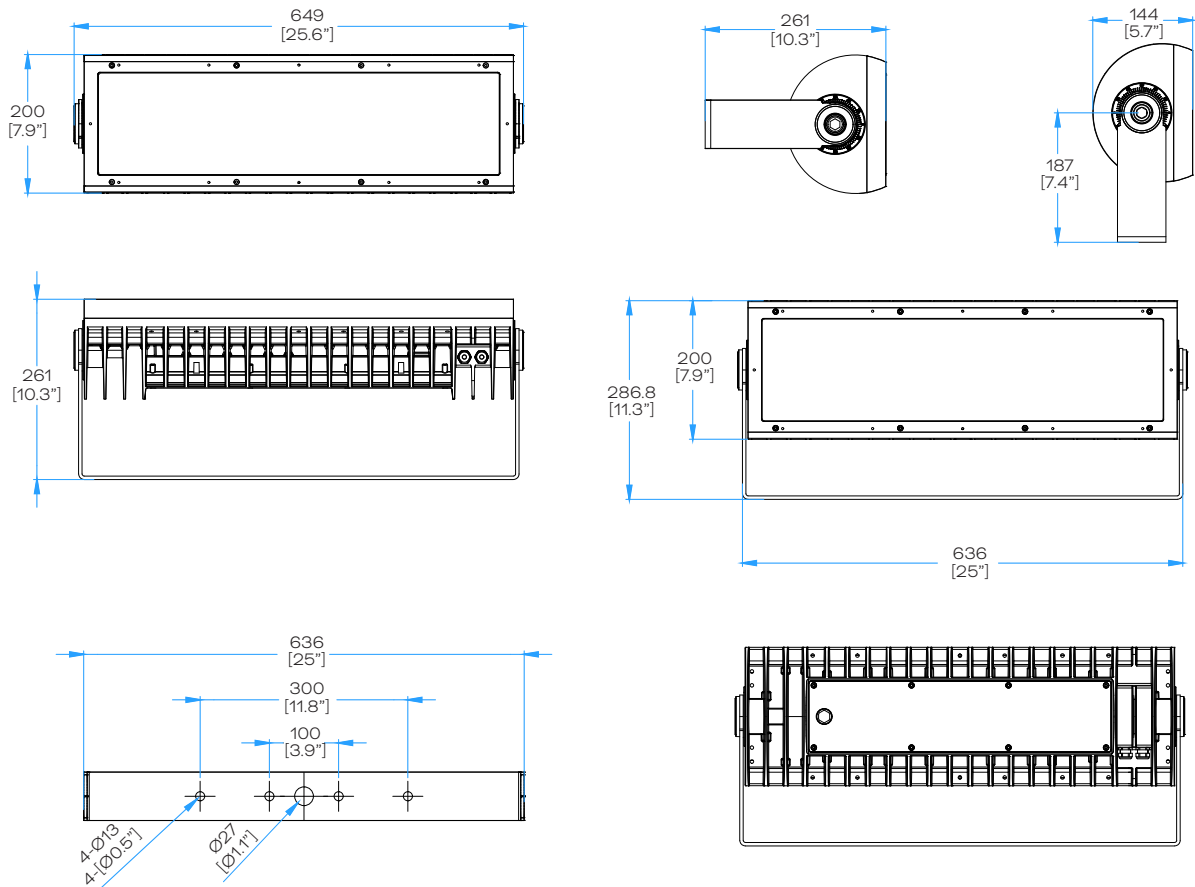
	Color With Royal Blue	Luminous Flux (lm)	Center Intensity (cd)	Efficacy (lm/W)
1x200W	RGBW (Full On)	8096.0	214169	40.5
	RGB	5738.8	151813	28.7
	Red	2153.7	56973	18.1
	Green	6477.5	171353	52.9
	Royal Blue	238.3	6303	1.9
	White 4000K	7948.0	210254	65.8
2x200W	RGBW (Full On)	16192.0	428338	40.5
	RGB	11477.7	303627	28.7
	Red	4307.4	113946	18.1
	Green	12954.9	342706	52.9
	Royal Blue	476.6	12607	1.9
	White 4000K	15896.0	420507	65.8
3x200W	RGBW (Full On)	24288.0	642507	40.5
	RGB	17216.5	455440	28.7
	Red	6461.1	170920	18.1
	Green	19432.4	514059	52.9
	Royal Blue	714.8	18910	1.9
	White 4000K	23844.0	630761	65.8

Luminaire setting: Dynamic Boost mode.

	Power input cable	Data in / out cable (combined)
Cable Length (open wire)	1830mm [72"]	1830mm [72"]
Cable Outer Diameter	7.8mm [0.31"]	8.1mm [0.32"]

Fixture - 1x200W

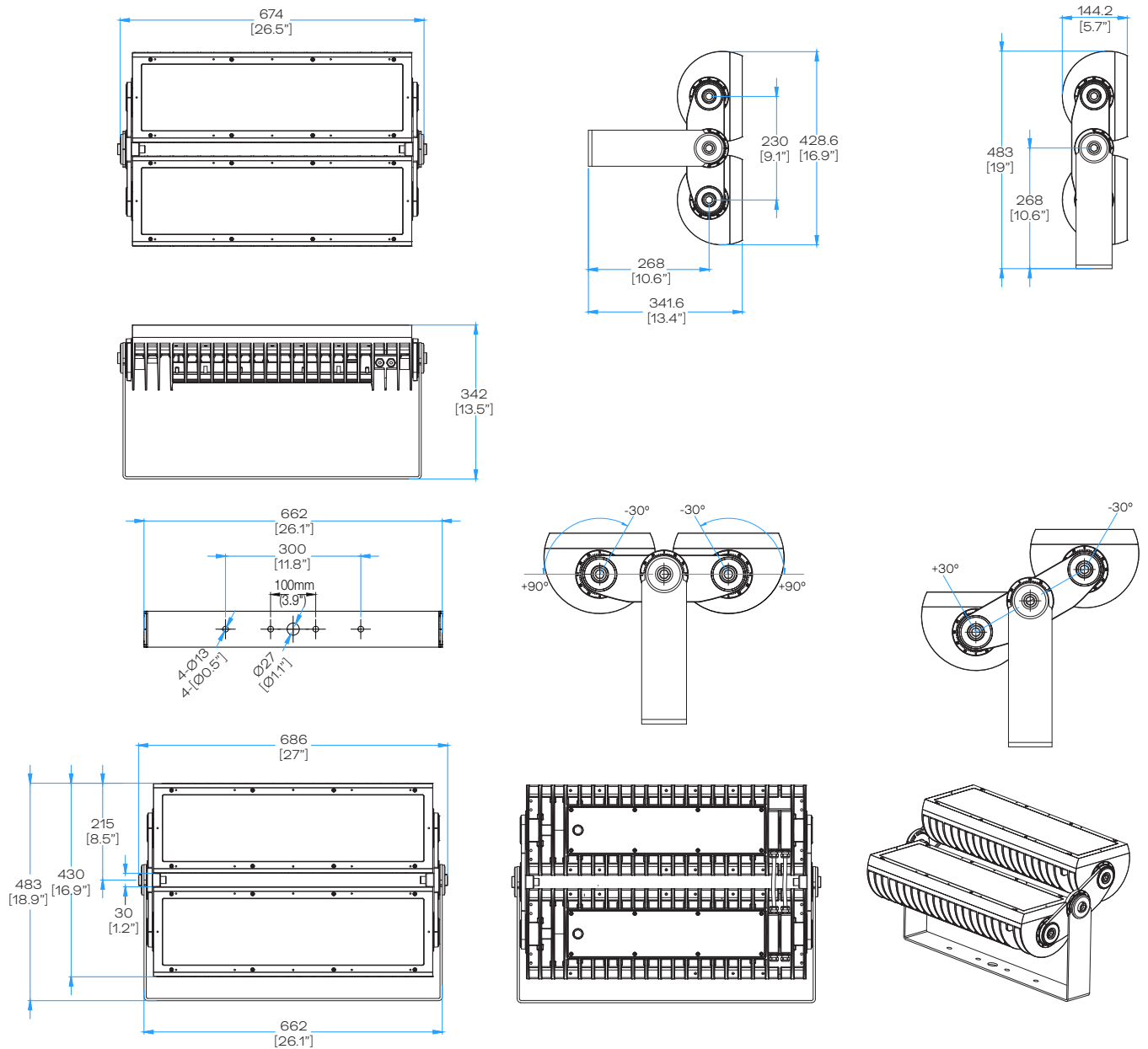
Unit: mm



NOTE: Please see CAD files for additional dimensional data.

Fixture - 2x200W

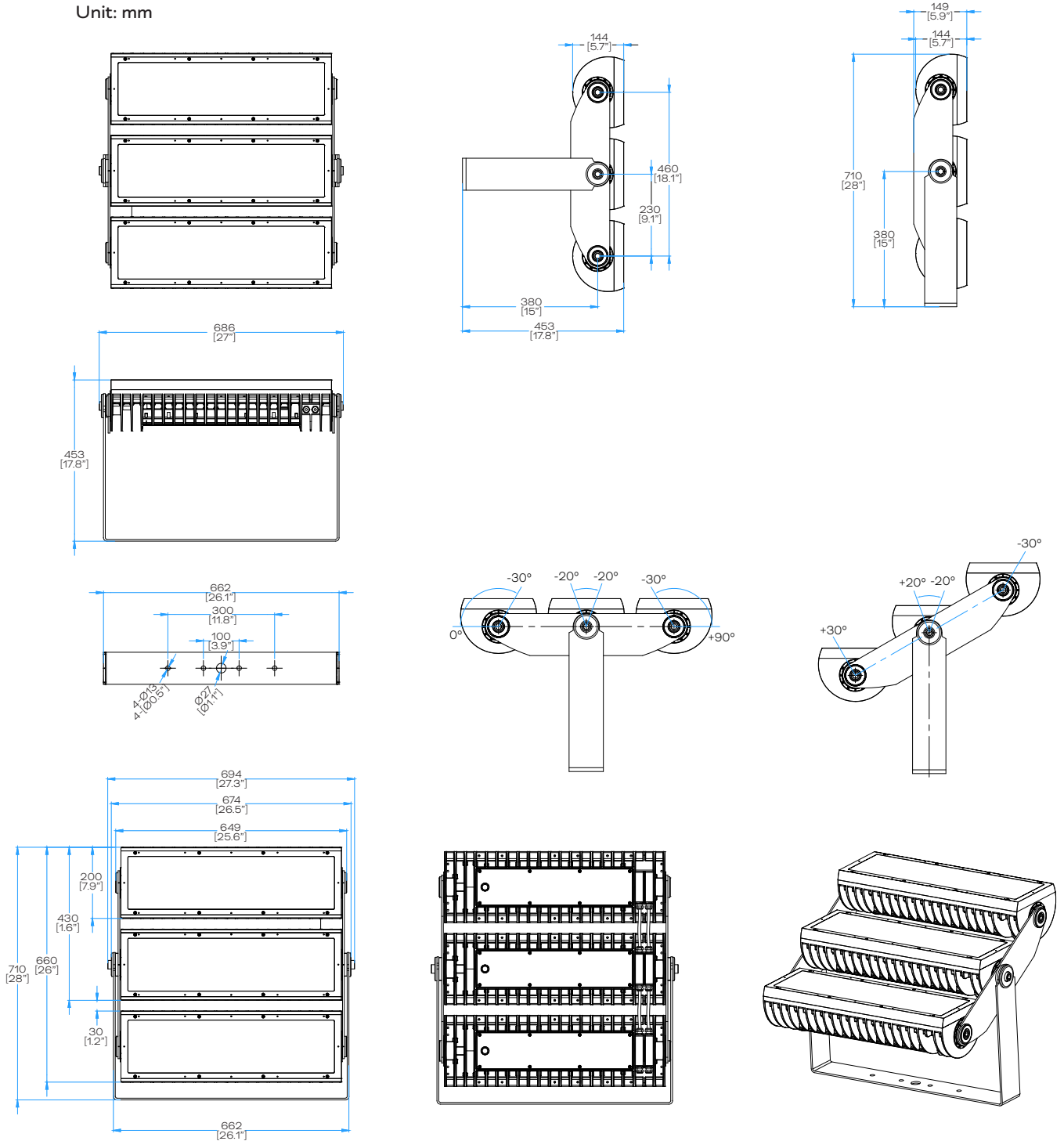
Unit: mm



NOTE: Please see CAD files for additional dimensional data.

Fixture - 3x200W

Unit: mm

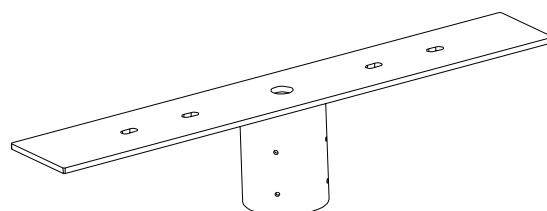
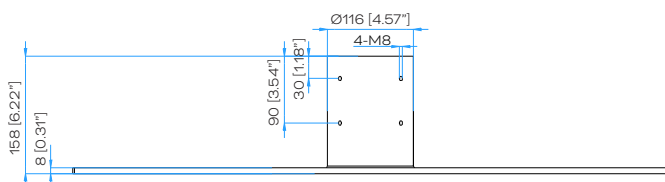
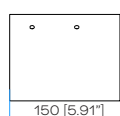
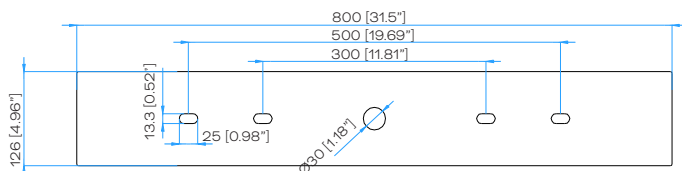


NOTE: Please see CAD files for additional dimensional data.

Mounting Accessories

Model No.	Description	Item Code
N/A	VISTA PLUS POLE-MOUNTING SUPPORT	AM380750055
N/A	VISTA PLUS POLE-MOUNTING SUPPORT BL	AM380900055
N/A	VISTA PLUS POLE-MOUNTING SUPPORT WT	AM381050055

Unit: mm

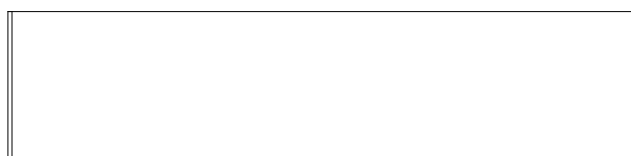
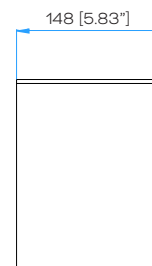
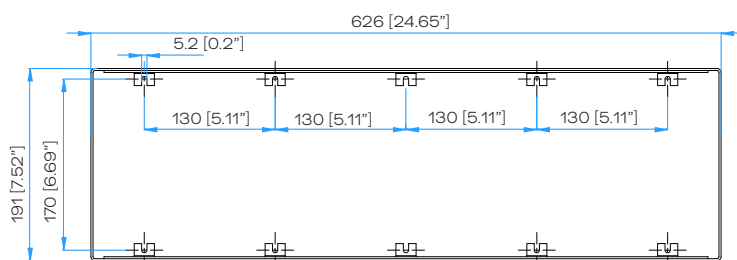


Optical Accessories

Full Glare Shield

Model No.	Description	Item Code
N/A	VISTA PLUS 100W FULL SHIELD	AM410310055
N/A	VISTA PLUS 100W FULL SHIELD BL	AM410450055
N/A	VISTA PLUS 100W FULL SHIELD WT	AM410590055

Unit: mm

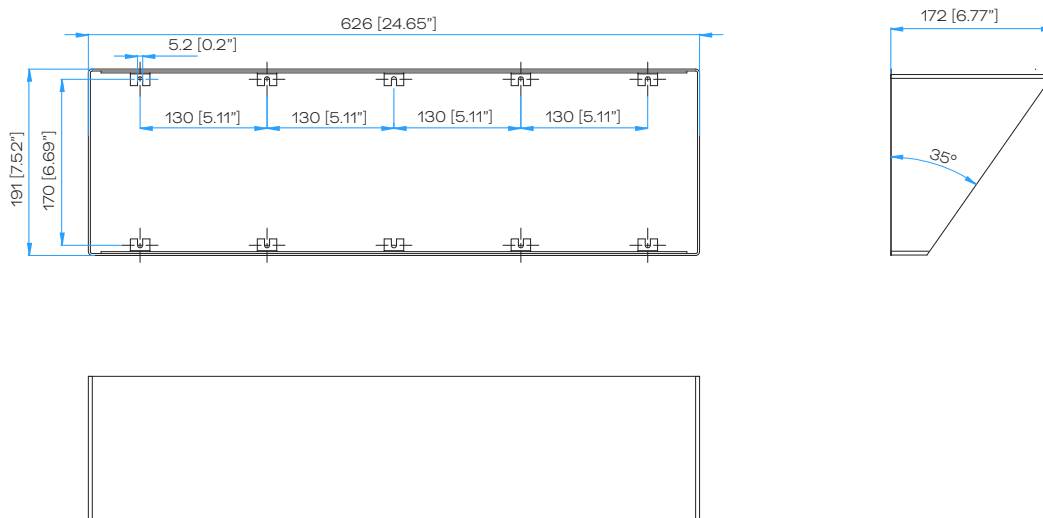


Optical Accessories

Half Glare Shield

Model No.	Description	Item Code
N/A	VISTA PLUS 100W HALF SHIELD	AM410300055
N/A	VISTA PLUS 100W HALF SHIELD BL	AM410440055
N/A	VISTA PLUS 100W HALF SHIELD WT	AM410580055

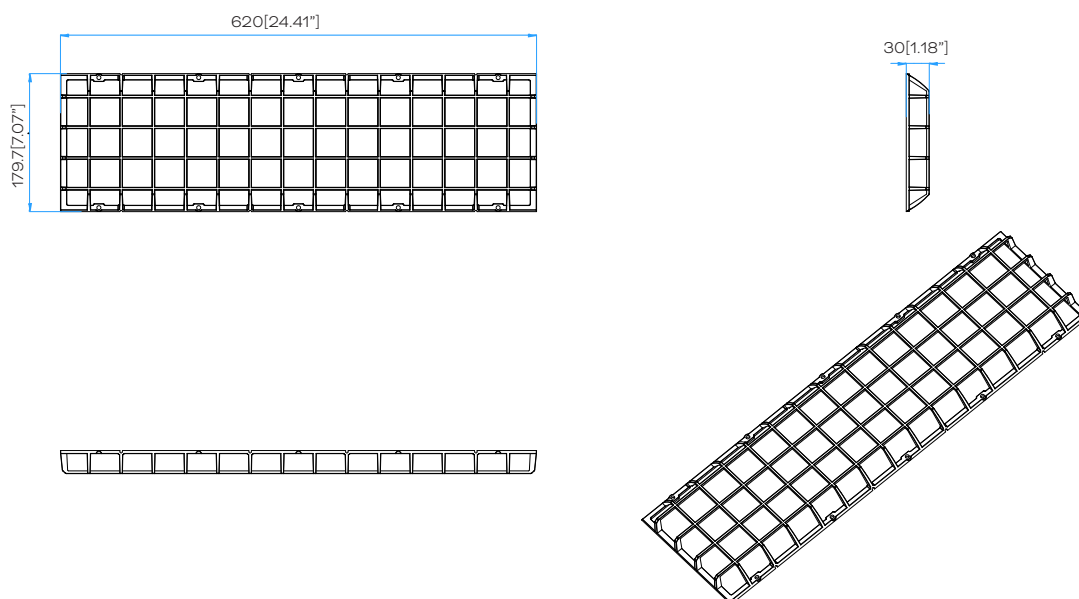
Unit: mm



Rock Guard

Model No.	Description	Item Code
N/A	VISTA PLUS 100W ROCK GUARD	AM410320055
N/A	VISTA PLUS 100W ROCK GUARD BL	AM410460055
N/A	VISTA PLUS 100W ROCK GUARD WT	AM410600055

Unit: mm



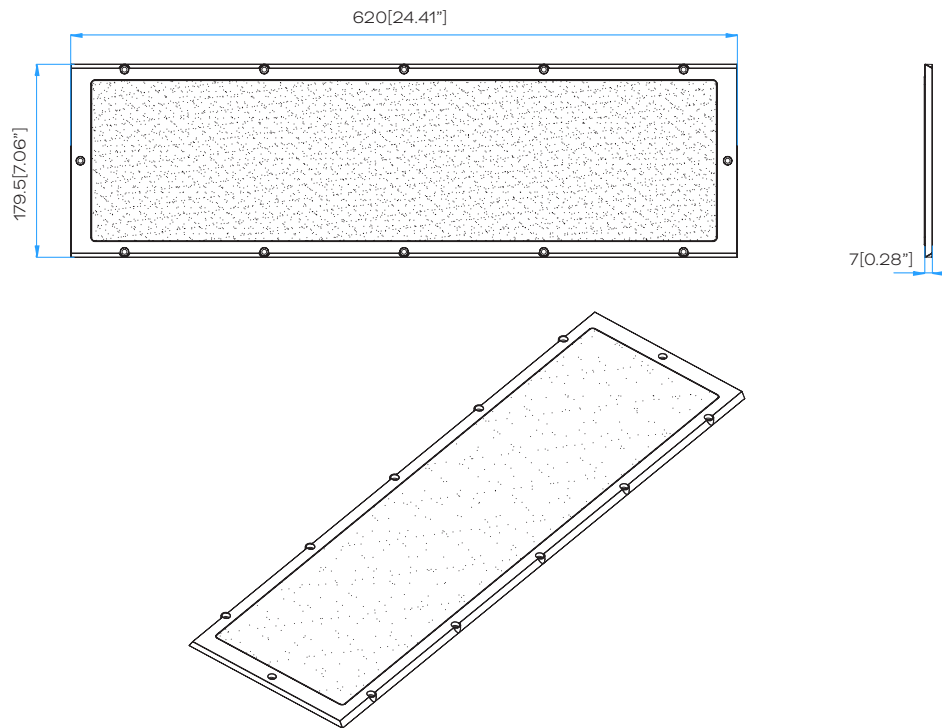
NOTE: Please see CAD files for additional dimensional data.

Optical Accessories

Spread Lens Module

Model No.	Description	Item Code
N/A	VISTA PLUS 100W SPREAD MODULE 5 / 5 BL/ 5 WT	AM410330055 / AM410470055 / AM410610055
N/A	VISTA PLUS 100W SPREAD MODULE 8 / 8 BL/ 8 WT	AM410340055 / AM410480055 / AM410620055
N/A	VISTA PLUS 100W SPREAD MODULE 10 / 10 BL/ 10 WT	AM410350055 / AM410490055 / AM410630055
N/A	VISTA PLUS 100W SPREAD MODULE 15 / 15 BL/ 15 WT	AM410360055 / AM410500055 / AM410640055
N/A	VISTA PLUS 100W SPREAD MODULE 20 / 20 BL/ 20 WT	AM410370055 / AM410510055 / AM410650055
N/A	VISTA PLUS 100W SPREAD MODULE 30 / 30 BL/ 30 WT	AM410380055 / AM410520055 / AM410660055
N/A	VISTA PLUS 100W SPREAD MODULE 40 / 40 BL/ 40 WT	AM410390055 / AM410530055 / AM410670055
N/A	VISTA PLUS 100W SPREAD MODULE 55 / 55 BL/ 55 WT	AM410400055 / AM410540055 / AM410680055
N/A	VISTA PLUS 100W SPREAD MODULE 80 / 80 BL/ 80 WT	AM410410055 / AM410550055 / AM410690055
N/A	VISTA PLUS 100W SPREAD MODULE 50X10 / 50X10 BL/ 50X10 WT	AM410420055 / AM410560055 / AM410700055
N/A	VISTA PLUS 100W SPREAD MODULE 50X5 / 50X5 BL/ 50X5 WT	AM410430055 / AM410570055 / AM410710055

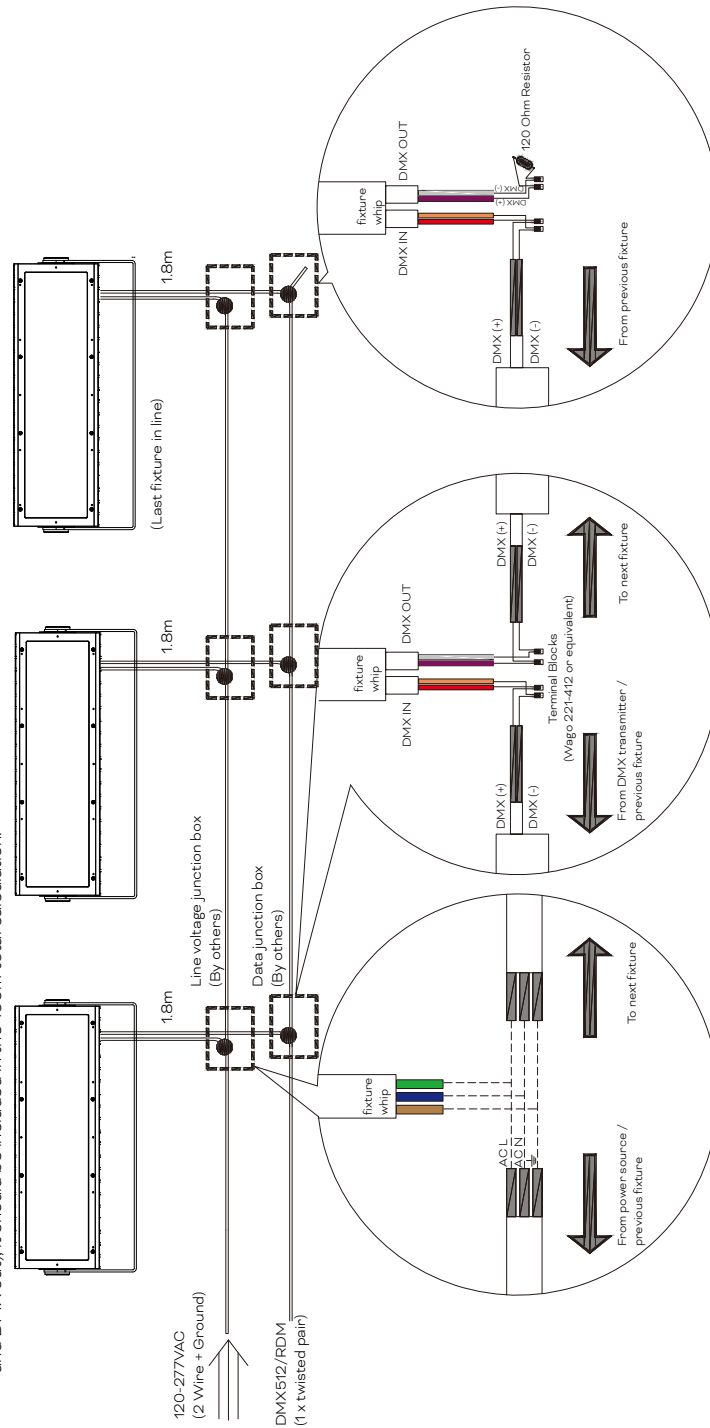
Unit: mm



NOTE: Please see CAD files for additional dimensional data.

Wiring Diagram - 1x200W

- Vista Plus fixtures ship with two cable whips: One cable whip for power input, consisting of two wires plus a ground, and one cable whip for DMX512 RDM input/output.
- No more than (32) fixtures on a single DMX512 link, max. 100m total (source to last fixture). Each fixture has 1.8m DMX data cable (total 3.6m DMX in and DMX out), it should be included in the 100m total calculation.
- Each DMX512 link must be properly terminated to prevent signal reflections.
- Data cabling from DMX source to first fixture and between subsequent Vista Plus fixtures shall be Cat5e UTP or higher (stranded type only) or other cable type suitable for DMX communication. Consult DMX standard for additional guidance.

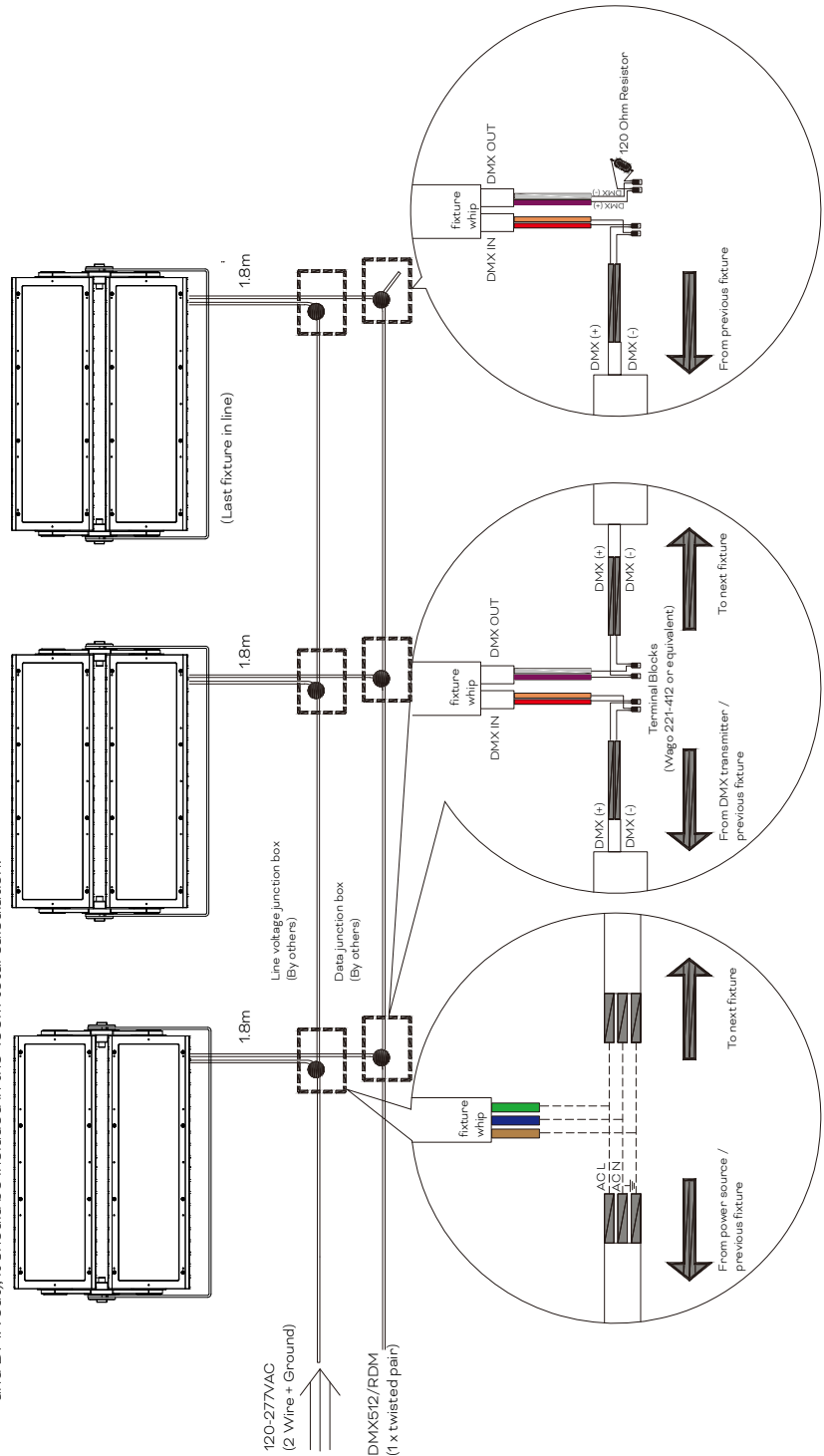


General Notes

- All data cabling must adhere to ANSI E1.11-2008 (R2013) – Entertainment Technology – USITT DMX512-A, Asynchronous Serial Digital Data Transmission Standard for Controlling Lighting Equipment and Accessories.
- Fixture is RDM compatible.
- Fixtures allow a universal input of 120V AC to 277V AC.
- Data termination shall utilize cage clamp terminal blocks, or equivalent. Wire nuts are not permissible and will void warranty.
- The method of line voltage termination, both for data and power, is at the discretion of the installing contractor, and/or engineer. Splicing and/or joining of cables must adhere to all applicable electrical codes.
- Cables must be spliced/joined in a weatherproof enclosure/junction box, which is to be properly rated and provided by others.

Wiring Diagram - 2x200W

- Vista Plus fixtures ship with two cable whips: One cable whip for power input, consisting of two wires plus a ground, and one cable whip for DMX512 RDM input/output.
- No more than (32) fixtures on a single DMX512 link, max. 100m total (source to last fixture). Each fixture has 1.8m DMX data cable (total 3.6m DMX in and DMX out), it should be included in the 100m total calculation.
- Each DMX512 link must be properly terminated to prevent signal reflections.
- Vista Plus fixtures shall be Cat5e UTP or higher (stranded type only) or other cable type suitable for DMX communication. Consult DMX standard for additional guidance.



General Notes

- All data cabling must adhere to ANSI/E111-2008 (R2013) - Entertainment Technology - USITT DMX512-A, Asynchronous Serial Digital Data Transmission Standard for Controlling Lighting Equipment and Accessories.
- Fixture is RDM compatible.
- Fixtures allow a universal input of 120V AC to 277V AC.
- Data termination shall utilize cage clamp terminal blocks, or equivalent. Wire nuts are not permissible and will void warranty.
- The method of line voltage termination, both for data and power, is at the discretion of the installing contractor, and/or engineer. Splicing and/or joining of cables must adhere to all applicable electrical codes.
- Cables must be spliced/joined in a weatherproof enclosure/junction box, which is to be properly rated and provided by others.

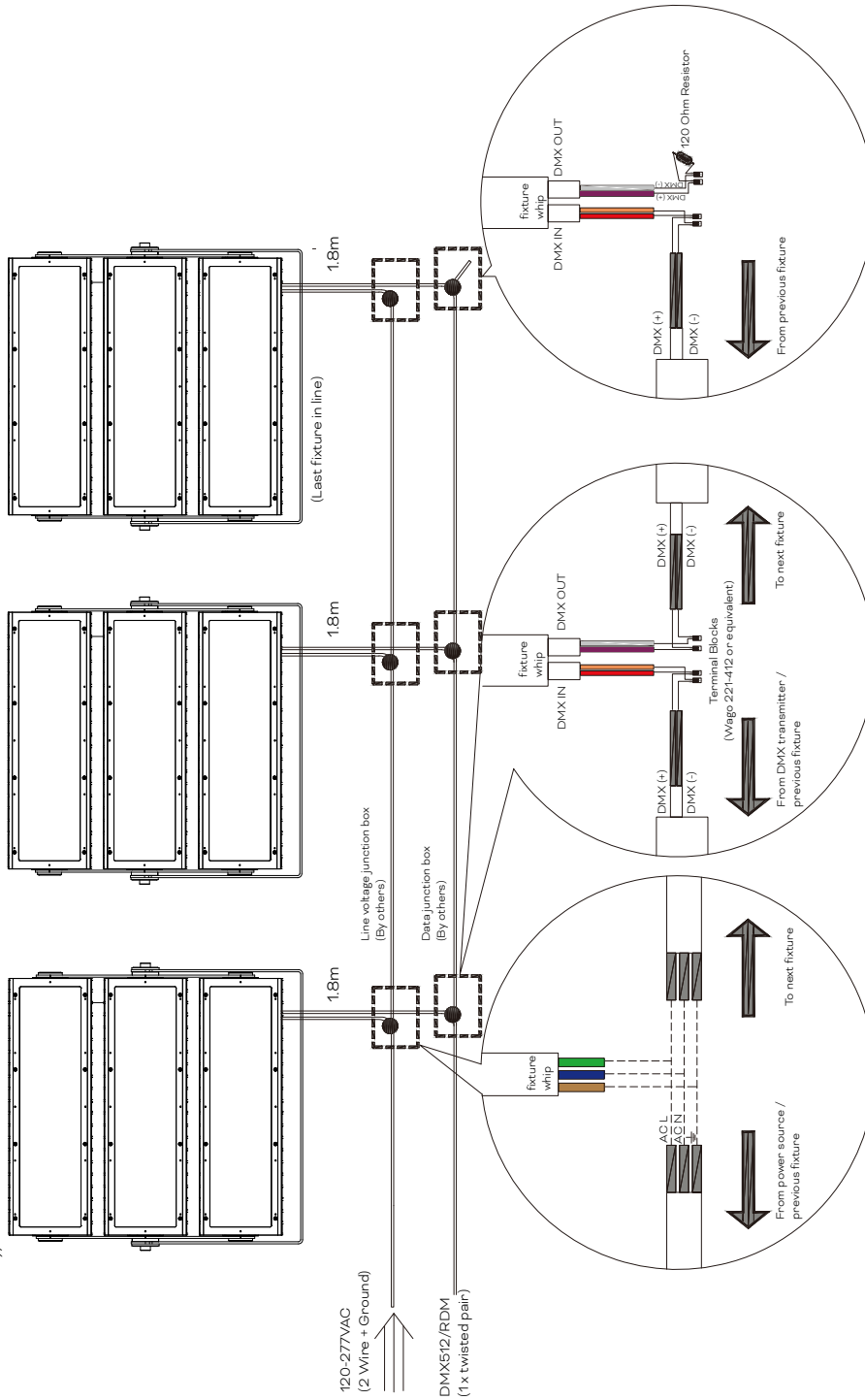
Wiring Diagram - 3x200W

— Vista Plus fixtures ship with two cable whips: One cable whip for power input, consisting of two wires plus a ground, and one cable whip for DMX512 RDM input/output.

— No more than (32) fixtures on a single DMX512 link, max. 100m total (source to last fixture). Each fixture has 1.8m DMX data cable (total 3.6m DMX in and DMX out), it should be included in the 100m total calculation.

— Each DMX512 link must be properly terminated to prevent signal reflections.

— Data cabling from DMX source to first fixture and between subsequent Vista Plus fixtures shall be Cat5e UTP or higher (stranded type only) or other cable type suitable for DMX communication. Consult DMX standard for additional guidance.



General Notes

- All data cabling must adhere to ANSI E1.11-2008 (R2013) - Entertainment Technology - USITT DMX512-A, Asynchronous Serial Digital Data Transmission Standard for Controlling Lighting Equipment and Accessories.
- Fixture is RDM compatible.
- Fixtures allow a universal input of 120V AC to 277V AC.
- Data termination shall utilize cage clamp terminal blocks, or equivalent. Wire nuts are not permissible and will void warranty.
- The method of line voltage termination, both for data and power, is at the discretion of the installing contractor, and/or engineer. Splicing and/or joining of cables must adhere to all applicable electrical codes.
- Cables must be spliced/joined in a weatherproof enclosure/junction box, which is to be properly rated and provided by others.

Model Number Builder

VI.	PL.	N	2	1	N	N	1	1	1	1	N	0	0
		Number of Head	Wattage per head	LED	CCT	Optics	Control	Pixel	Approbation	Mounting/ Add On	Color Finish	Cable/ Connector	
		1: 1-head	2 - 200W AC per Midi head	1 - RGBW	1 - RGBW40 (4000K with Mid-Blue)	2 - 4°	1 - DMX/RDM	1 - 1 pixel per head	1 - CE & ETL	1 - 3G vibration	0 - TX Signature Gray	0 - Standard version	
		2: 2-head			2 - RGBW40 (4000K with Royal-Blue)	3 - 10°					1 - Gray		
		3: 3-head			3 - RGBA						2 - Black		
											3 - White		
EXAMPLE		VISTA PLUS HO MIDI 1x200W AC RGBW40(D) W/MID-BLUE 4° TX-GRAY CE Model Number: VI.PL.1211111100											

VI.	PL.	1	2	1	1	2	1	1	1	1	1	0	0
-----	-----	---	---	---	---	---	---	---	---	---	---	---	---

Project Model Number

VI.	PL.		2	1			1	1	1	1		0	0
-----	-----	--	---	---	--	--	---	---	---	---	--	---	---

Fixture

Model No.	Description	Item Code
VI.PL.12112111100	VISTA PLUS HO MIDI 1x200W AC RGBW40(D) W/MID-BLUE 4° TX-GRAY	DL26103656755
VI.PL.12122111100	VISTA PLUS HO MIDI 1x200W AC RGBW40(D) W/ROYAL-BLUE 4° TX-GRAY	DL26103656855
VI.PL.22112111100	VISTA PLUS HO MIDI 2x200W AC RGBW40(D) W/MID-BLUE 4° TX-GRAY	DL26103657255
VI.PL.22122111100	VISTA PLUS HO MIDI 2x200W AC RGBW40(D) W/ROYAL-BLUE 4° TX-GRAY	DL26103657355
VI.PL.32112111100	VISTA PLUS HO MIDI 3x200W AC RGBW40(D) W/MID-BLUE 4° TX-GRAY	DL26103657755
VI.PL.32122111100	VISTA PLUS HO MIDI 3x200W AC RGBW40(D) W/ROYAL-BLUE 4° TX-GRAY	DL26103657855
VI.PL.12113111100	VISTA PLUS HO MIDI 1x200W AC RGBW40(D) W/MID-BLUE 10° TX-GRAY	DL26103659255
VI.PL.12123111100	VISTA PLUS HO MIDI 1x200W AC RGBW40(D) W/ROYAL-BLUE 10° TX-GRAY	DL26103659355
VI.PL.22113111100	VISTA PLUS HO MIDI 2x200W AC RGBW40(D) W/MID-BLUE 10° TX-GRAY	DL26103659755
VI.PL.22123111100	VISTA PLUS HO MIDI 2x200W AC RGBW40(D) W/ROYAL-BLUE 10° TX-GRAY	DL26103659855
VI.PL.32113111100	VISTA PLUS HO MIDI 3x200W AC RGBW40(D) W/MID-BLUE 10° TX-GRAY	DL26103660255
VI.PL.32123111100	VISTA PLUS HO MIDI 3x200W AC RGBW40(D) W/ROYAL-BLUE 10° TX-GRAY	DL26103660355

Mounting Accessories

Model No.	Description	Item Code
N/A	VISTA PLUS POLE-MOUNTING SUPPORT	AM380750055
N/A	VISTA PLUS POLE-MOUNTING SUPPORT BL	AM380900055
N/A	VISTA PLUS POLE-MOUNTING SUPPORT WT	AM381050055
N/A	PROPOINT TERMINATION KIT	AM243520054

Optical Accessories

Model No.	Description	Item Code
N/A	VISTA PLUS 100W HALF SHIELD	AM410300055
N/A	VISTA PLUS 100W FULL SHIELD	AM410310055
N/A	VISTA PLUS 100W ROCK GUARD	AM410320055
N/A	VISTA PLUS 100W SPREAD MODULE 5	AM410330055
N/A	VISTA PLUS 100W SPREAD MODULE 8	AM410340055
N/A	VISTA PLUS 100W SPREAD MODULE 10	AM410350055
N/A	VISTA PLUS 100W SPREAD MODULE 15	AM410360055
N/A	VISTA PLUS 100W SPREAD MODULE 20	AM410370055

Optical Accessories

Model No.	Description	Item Code
N/A	VISTA PLUS 100W SPREAD MODULE 30	AM410380055
N/A	VISTA PLUS 100W SPREAD MODULE 40	AM410390055
N/A	VISTA PLUS 100W SPREAD MODULE 55	AM410400055
N/A	VISTA PLUS 100W HALF SHIELD BL	AM410440055
N/A	VISTA PLUS 100W FULL SHIELD BL	AM410450055
N/A	VISTA PLUS 100W ROCK GUARD BL	AM410460055
N/A	VISTA PLUS 100W SPREAD MODULE 5 BL	AM410470055
N/A	VISTA PLUS 100W SPREAD MODULE 8 BL	AM410480055
N/A	VISTA PLUS 100W SPREAD MODULE 10 BL	AM410490055
N/A	VISTA PLUS 100W SPREAD MODULE 15 BL	AM410500055
N/A	VISTA PLUS 100W SPREAD MODULE 20 BL	AM410510055
N/A	VISTA PLUS 100W SPREAD MODULE 30 BL	AM410520055
N/A	VISTA PLUS 100W SPREAD MODULE 40 BL	AM410530055
N/A	VISTA PLUS 100W SPREAD MODULE 55 BL	AM410540055
N/A	VISTA PLUS 100W SPREAD MODULE 80 BL	AM410550055
N/A	VISTA PLUS 100W SPREAD MODULE50X10 BL	AM410560055
N/A	VISTA PLUS 100W SPREAD MODULE50X5 BL	AM410570055
N/A	VISTA PLUS 100W HALF SHIELD WT	AM410580055
N/A	VISTA PLUS 100W FULL SHIELD WT	AM410590055
N/A	VISTA PLUS 100W ROCK GUARD WT	AM410600055
N/A	VISTA PLUS 100W SPREAD MODULE 5 WT	AM410610055
N/A	VISTA PLUS 100W SPREAD MODULE 8 WT	AM410620055
N/A	VISTA PLUS 100W SPREAD MODULE 10 WT	AM410630055
N/A	VISTA PLUS 100W SPREAD MODULE 15 WT	AM410640055
N/A	VISTA PLUS 100W SPREAD MODULE 20 WT	AM410650055
N/A	VISTA PLUS 100W SPREAD MODULE 30 WT	AM410660055
N/A	VISTA PLUS 100W SPREAD MODULE 40 WT	AM410670055
N/A	VISTA PLUS 100W SPREAD MODULE 55 WT	AM410680055
N/A	VISTA PLUS 100W SPREAD MODULE 80 WT	AM410690055
N/A	VISTA PLUS 100W SPREAD MODULE50X10 WT	AM410700055
N/A	VISTA PLUS 100W SPREAD MODULE50X5 WT	AM410710055

Note: Vista Plus 100W accessory is suitable for Vista Plus Midi / Vista Plus HO Midi.