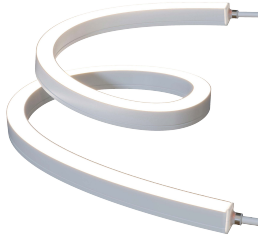


TRAXON Plus⁺

Ribbon Plus Multi-Bend



Project: _____

Type: _____



IP67



IP65



0-10v



ELV



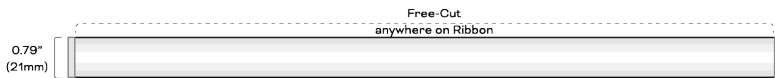
TRIAC

Traxon Ribbon Plus Multi-Bend is a slim, direct view luminaire crafted to seamlessly blend into any architectural detail, wall or facade with tight installation requirements and its ability to bend on both the X and Y axis. The Ribbon Plus provides an even radiance with superior color fidelity and ingress protection in even the harshest of condition.

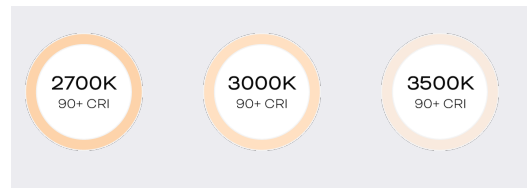
Features

- Free-cut anywhere along the length of Ribbon - no set cut points!
- 0-10v, ELV, DMX or On/Off controls
- 90+CRI

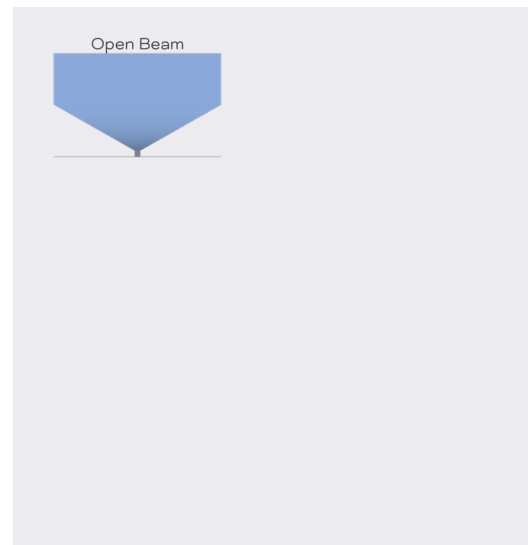
Dimensions



Color Options



Beam Angles



Product Specifications

Light Source	36 pcs LED per foot		
Color Range	2700K, 3000K, 3500K		
CRI	≥90+		
Pixels	1		
Beam Angle	Open Beam		
Luminous Flux	2700K: SO: 153 lm/ft. HO: 412 lm/ft	3000K: SO: 153 lm/ft. HO: 412 lm/ft	3500K: SO: 168 lm/ft. HO: 412 lm/ft
Efficacy	SO: 48 lm/W HO: 94 lm/W	SO: 48 lm/W HO: 94 lm/W	SO: 53 lm/W HO: 94 lm/W
Max Candela	SO: 169 cd	SO: 178 cd	SO: 178 cd
Housing	UV-Stable Silicone		
Housing Finish	White		
Adjustment Options	Free-cut anywhere along the length of the Ribbon		
Mounting	Accessories available		
Dimensions ¹ (L x W x H) ¹	5m / 10m x 20 x 20mm 16.4' / 32.8' x 0.79" x 0.79"		
Regulatory Listing & Safety Approval	UL Listed		
Operating Temperature	-20°C to +80°C / -4°F to +176°F		
Environment	IP67 IP65 after field-cutting		
Lumen Maintenance	LM-80 50,000 Hours		

¹HO version is only available in 16' lengths

Electrical Specifications

Operating Voltage	24v DC
Power Consumption (W)	SO: 3.2W / ft., HO: 4.4W/ft

System Specifications

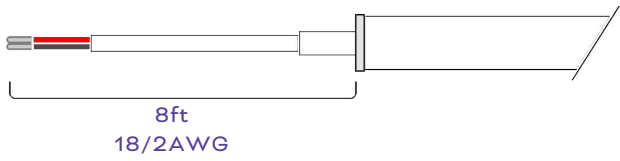
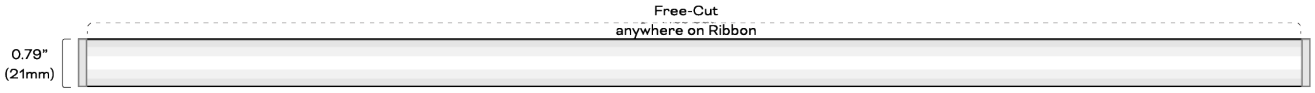
Power Supply	Output Voltage: 24v DC Input Voltage: 120-277v
Control	0-10v, ELV, TRIAC, On/Off

LED CHARACTERISTICS Because LEDs are semiconductor devices, their performances are subject to inherent variability commonly found in semiconductor industry. To improve consistency in performance across the same product, LED manufacturers "sort" LEDs into bins according to different preset parameters, such as forward driving voltage, illumination, etc. Whereas binning is a sorting function, it is not a correction process. Inherent variability in the manufacturing process results always in different binning distributions according to different production lots. Traxon uses automatically binned LEDs on its products, thereby minimizing output variations within the model range.

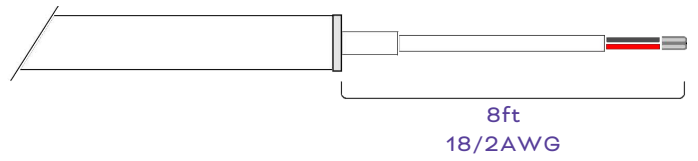
As with all electronic devices, LED output degrades over time – a term called lumen depreciation. This also explains why it is nearly impossible to expect photometric performances of two LED products with different service life spans to be the same. The rate of LED degrade is a complicated function of many factors such as operating efficiency, duration of continuous operation, and more significantly, environmental conditions (ambient temperature for example). If allowed working under optimal operating temperature range and with good ventilation, LED devices enjoy long service lives over conventional light sources. When using/installing LED devices, care should be taken to ensure that the devices will operate within the operating conditions specified in respective product literature.

Lumen measurement complies with LM-79-08 standard.
Lumen maintenance is calculated based on LM-80 compliant measurement.

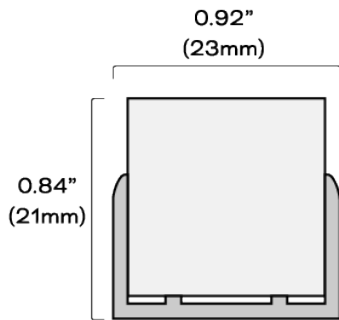
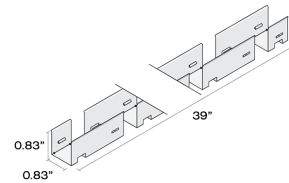
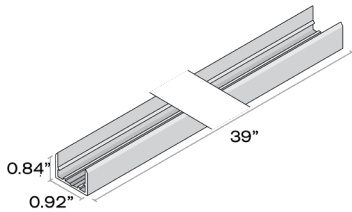
Available in 16' and 32' lengths



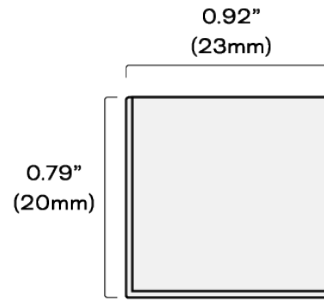
Ribbon Plus Multi-Bend Channel



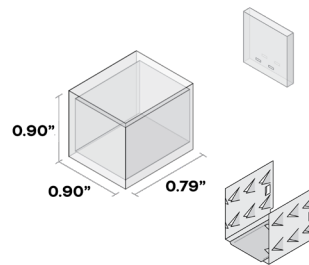
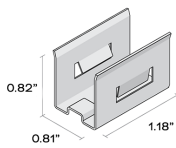
Ribbon Plus Multi-Bend Spine Channel



Ribbon Plus Multi-Bend Mounting Clips (2pack)



Ribbon Plus Multi-Bend End Cap



Model Number Builder

RB.	PLUS	MULTI	WHT	NN	NN	90	FR	NN	N	24	cULus
				LENGTH (FT) ¹	CCT	CRI	LENS	OUTPUT	CABLE FEED	VOLTS	APPROBATION
				16	27-2700K			SO - STANDARD OUTPUT	BOT - BOTTOM		
				32	30 - 3000K			HO - HIGH OUTPUT	END - END		
					35 - 3500K						

EXAMPLE	RIBBON PLUS MULTI BEND WHITE 32' 2700K 90CRI FROSTED SO BOTTOM FEED RB-PLUS-MULT-WHT-32-27-90-FR-SO-BOT-24-cULus											
RB	PLUS	MULT	WHT	32	27	90	FR		SO	BOT	24	cULus

¹ HO version is only available in 16' lengths

Fixtures

Model No.	Description	Item Code
RB-PLUS-MULT-WHT-32-27-90-FR-SO-BOT-24-cULus	Ribbon Plus Multi-Bend 24V 2700K, 90+ CRI, Bottom Feed, Free-Cut, 32'	DL24302355755
RB-PLUS-MULT-WHT-16-27-90-FR-SO-BOT-24-cULus	Ribbon Plus Multi-Bend 24V 2700K, 90+ CRI, Bottom Feed, Free-Cut 16'	DL24302355855
RB-PLUS-MULT-WHT-32-30-90-FR-SO-BOT-24-cULus	Ribbon Plus Multi-Bend 24V 3000K, 90+ CRI, Bottom Feed, Free-Cut 32'	DL24302355955
RB-PLUS-MULT-WHT-16-30-90-FR-SO-BOT-24-cULus	Ribbon Plus Multi-Bend 24V 3000K, 90+ CRI, Bottom Feed, Free-Cut 16'	DL24302356055
RB-PLUS-MULT-WHT-32-35-90-FR-SO-BOT-24-cULus	Ribbon Plus Multi-Bend 24V 3500K, 90+ CRI, Bottom Feed, Free-Cut 32'	DL24302356155
RB-PLUS-MULT-WHT-16-35-90-FR-SO-BOT-24-cULus	Ribbon Plus Multi-Bend 24V 3500K, 90+ CRI, Bottom Feed, Free-Cut 16'	DL24302356255
RB-PLUS-MULT-WHT-32-27-90-FR-SO-END-24-cULus	Ribbon Plus Multi-Bend 24V 2700K, 90+ CRI, End Feed, Free-Cut 32'	DL24302356355
RB-PLUS-MULT-WHT-16-27-90-FR-SO-END-24-cULus	Ribbon Plus Multi-Bend 24V 2700K, 90+ CRI, End Feed, Free-Cut 16'	DL24302356455
RB-PLUS-MULT-WHT-32-30-90-FR-SO-END-24-cULus	Ribbon Plus Multi-Bend 24V 3000K, 90+ CRI, End Feed, Free-Cut 32'	DL24302356555
RB-PLUS-MULT-WHT-16-30-90-FR-SO-END-24-cULus	Ribbon Plus Multi-Bend 24V 3000K, 90+ CRI, End Feed, Free-Cut 16'	DL24302356655
RB-PLUS-MULT-WHT-32-35-90-FR-SO-END-24-cULus	Ribbon Plus Multi-Bend 24V 3500K, 90+ CRI, End Feed, Free-Cut 32'	DL24302356755
RB-PLUS-MULT-WHT-16-35-90-FR-SO-END-24-cULus	Ribbon Plus Multi-Bend 24V 3500K, 90+ CRI, End Feed, Free-Cut 16'	DL24302356855
RB-PLUS-MULT-WHT-16-27-90-FR-HO-BOT-24-cULus	Ribbon Plus Multi-Bend High Output 24V 2700K, 90+ CRI, Bottom Feed, Free-Cut 16'	DL24302356955
RB-PLUS-MULT-WHT-16-30-90-FR-HO-BOT-24-cULus	Ribbon Plus Multi-Bend High Output 24V 3000K, 90+ CRI, Bottom Feed, Free-Cut 16'	DL24302357055
RB-PLUS-MULT-WHT-16-35-90-FR-HO-BOT-24-cULus	Ribbon Plus Multi-Bend High Output 24V 3500K, 90+ CRI, Bottom Feed, Free-Cut 16'	DL24302357155
RB-PLUS-MULT-WHT-16-27-90-FR-HO-END-24-cULus	Ribbon Plus Multi-Bend High Output 24V 2700K, 90+ CRI, End Feed, Free-Cut 16'	DL24302357255
RB-PLUS-MULT-WHT-16-30-90-FR-HO-END-24-cULus	Ribbon Plus Multi-Bend High Output 24V 3000K, 90+ CRI, End Feed, Free-Cut 16'	DL24302357355
RB-PLUS-MULT-WHT-16-35-90-FR-HO-END-24-cULus	Ribbon Plus Multi-Bend High Output 24V 3500K, 90+ CRI, End Feed, Free-Cut 16'	DL24302357455

Accessories

Model No.	Description	Item Code
RB-PLUS-MULT-ENDCP	Ribbon Plus, Multi-Bend, End Cap	DA24302358755
RB-PLUS-MULT-ALU_CHAN_1M	Ribbon Plus, Multi-Bend, Mounting Channel, 39 in., Aluminum	DA24302358855
RB-PLUS-MULT-MNTNG_CLP_PAIR	Ribbon Plus, Multi-Bend, Mounting Clips, 2 Pack, White	DA24302358955
RB-PLUS-MULT-SPL_CHAN_1M	Ribbon Plus, Multi-Bend, Mounting Spine Channel, 39 in., White	DA24302359055
VLM100W-24-LPM	LO-PRO Mini LED Driver Junction Box and Driver Combo - 24V 100W VLM	DA24302359555
DI-ODX-24V60W-J	OMNIDRIVE X 24V 60W, Electronic / 0-10V Dimmable Driver, Indoor/Outdoor Rated Junction Box	DA24302359655
DI-ODX-24V96W-J	OMNIDRIVE X 24V 96W, Electronic / 0-10V LED Dimmable Driver, Indoor/Outdoor Rated Junction Box	DA24302359755
AM467260055	Sympho DMX2PWM 4ch. Dimmer	AM467260055



TRAXON | ecue

MEMBER OF PROSPERITY GROUP

www.traxon-ecue.com