



TRAXON Plus⁺

Cove Light Plus AC RGBW Discrete ETL



Project: _____

Type: _____



IP40
Dry/Damp Location



DMX 512



RDM

The Traxon Cove Light Plus is an AC powered, slim, high brightness profile that effortlessly integrates into any architectural setting. Featuring DMX or RDM control, RGBW color options and a wide range of optical choices, its elegant modular design conceals powerful LED technology, allowing you to create a soft, uniform glow that bathes your surroundings in a captivating, gentle radiance.

Features

- DMX / RDM control
- Easy installation and maintenance
- DMX version: Auto-addressing
- RDM version: Auto-addressing or Manual Addressing via RDM

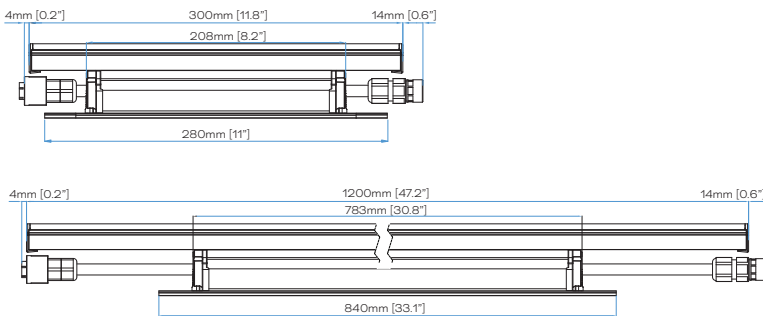
Technologies

- DMX / RDM Control
- Auto-Addressing / Manual Addressing

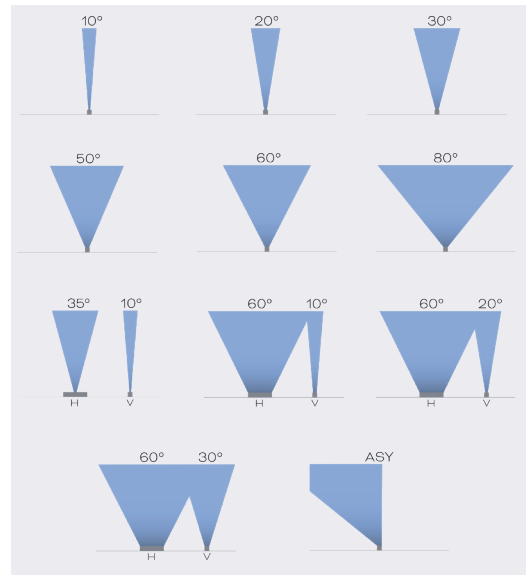
Color Options



Dimensions



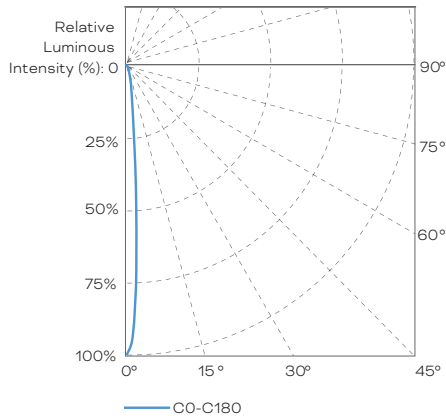
Beam Angles



Source Specifications (Clear Optical Lens)

Length Option	300mm [1ft]	1200mm [4ft]
Source	RGBW Discrete (D) LED 12 pcs (3R+3G+3B+3W)	RGBW Discrete (D) LED 48 pcs (12R+12G+12B+12W)
Optics	10°	

Candela Distribution



Light Output

300mm [1ft]				
	Color	Luminous Flux per Meter (lm)	Center Intensity (cd)	Efficacy (lm/W)
3W	RGBW (FULL ON)	117.0	1652	39.0
5W	RGBW (FULL ON)	220.0	3106	44.0
8W	RGBW (FULL ON)	360.0	5082	45.0
12W	RGBW (FULL ON)	552.0	7793	46.0

1200mm [4ft]				
	Color	Luminous Flux per Meter (lm)	Center Intensity (cd)	Efficacy (lm/W)
12W	RGBW (FULL ON)	492.0	6946	41.0
20W	RGBW (FULL ON)	920.0	12989	46.0
32W	RGBW (FULL ON)	1504.0	21233	47.0
48W	RGBW (FULL ON)	2304.0	32528	48.0

Illuminance at a Distance

	Center Beam LUX/klm	Beam Width	
0.5m	56472	0.07m / 0.23'	1.6'
1m	14118	0.15m / 0.49'	3.3'
1.5m	6275	0.22m / 0.72'	4.9'
2.0m	3530	0.29m / 0.95'	6.6'
2.5m	2259	0.37m / 1.21'	8.2'
3m	1569	0.44m / 1.44'	9.8'

● Horiz.Spread: 8.4°

For Foot-candle divide by 10.7

IES and LDT files are available for download from the Traxon website.

To estimate additional photometric data, use the following lumen factor:

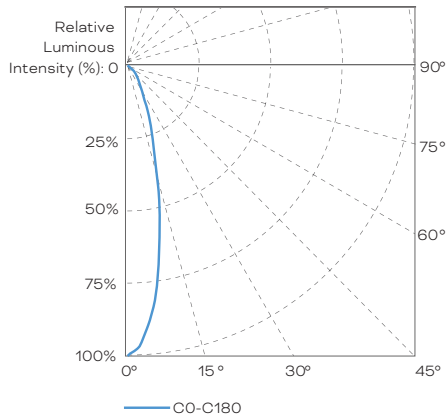
	Efficacy (Frosted Optical Lens)
Lumen factors	0.92

The photometric data of the Frosted Optical Lens is 92% of the equivalent Clear Optical Lens.
 Multiply the lumen data of the Frosted Optical Lens by the above factor.

Source Specifications (Clear Optical Lens)

Length Option	300mm [1ft]	1200mm [4ft]
Source	RGBW Discrete (D) LED 12 pcs (3R+3G+3B+3W)	RGBW Discrete (D) LED 48 pcs (12R+12G+12B+12W)
Optics	30°	

Candela Distribution



Light Output

300mm [1ft]				
	Color	Luminous Flux per Meter (lm)	Center Intensity (cd)	Efficacy (lm/W)
3W	RGBW (FULL ON)	105.3	294	35.1
5W	RGBW (FULL ON)	198.0	552	39.6
8W	RGBW (FULL ON)	324.0	904	40.5
12W	RGBW (FULL ON)	496.8	1386	41.4

1200mm [4ft]				
	Color	Luminous Flux per Meter (lm)	Center Intensity (cd)	Efficacy (lm/W)
12W	RGBW (FULL ON)	442.8	1235	36.9
20W	RGBW (FULL ON)	828.0	2309	41.4
32W	RGBW (FULL ON)	1353.6	3775	42.3
48W	RGBW (FULL ON)	2073.6	5783	43.2

Illuminance at a Distance

	Center Beam LUX/klm	Beam Width	
0.5m	11156	0.23m / 0.75'	1.6'
1m	2789	0.45m / 1.48'	3.3'
1.5m	1240	0.68m / 2.23'	4.9'
2.0m	697	0.90m / 2.95'	6.6'
2.5m	446	1.13m / 3.71'	8.2'
3m	310	1.35m / 4.43'	9.8'

● Horiz.Spread: 25.4°

For Foot-candle divide by 10.7

IES and LDT files are available for download from the Traxon website.

To estimate additional photometric data, use the following lumen factor:

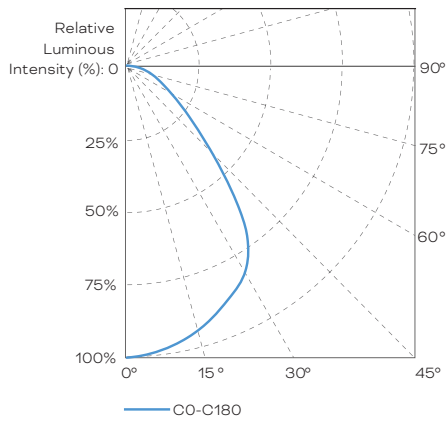
	Efficacy (Frosted Optical Lens)
Lumen factors	0.92

The photometric data of the Frosted Optical Lens is 92% of the equivalent Clear Optical Lens.
Multiply the lumen data of the Frosted Optical Lens by the above factor.

Source Specifications (Clear Optical Lens)

Length Option	300mm [1ft]	1200mm [4ft]
Source	RGBW Discrete (D) LED 12 pcs (3R+3G+3B+3W)	RGBW Discrete (D) LED 48 pcs (12R+12G+12B+12W)
Optics	80°	

Candela Distribution



Light Output

300mm [1ft]				
	Color	Luminous Flux per Meter (lm)	Center Intensity (cd)	Efficacy (lm/W)
3W	RGBW (FULL ON)	105.3	55	35.1
5W	RGBW (FULL ON)	198.0	103	39.6
8W	RGBW (FULL ON)	324.0	168	40.5
12W	RGBW (FULL ON)	496.8	257	41.4

1200mm [4ft]				
	Color	Luminous Flux per Meter (lm)	Center Intensity (cd)	Efficacy (lm/W)
12W	RGBW (FULL ON)	442.8	229	36.9
20W	RGBW (FULL ON)	828.0	429	41.4
32W	RGBW (FULL ON)	1353.6	701	42.3
48W	RGBW (FULL ON)	2073.6	1074	43.2

Illuminance at a Distance

	Center Beam LUX/klm	Beam Width	
0.5m	2072	0.91m / 2.99'	1.6'
1m	518	1.82m / 5.97'	3.3'
1.5m	230	2.73m / 8.96'	4.9'
2.0m	130	3.64m / 11.94'	6.6'
2.5m	83	4.55m / 14.93'	8.2'
3m	58	5.46m / 17.91'	9.8'

Horiz. Spread: 84.6°

For Foot-candle divide by 10.7

IES and LDT files are available for download from the Traxon website.

To estimate additional photometric data, use the following lumen factor:

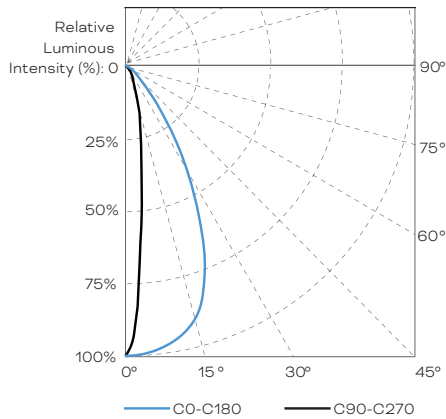
	Efficacy (Frosted Optical Lens)
Lumen factors	0.92

The photometric data of the Frosted Optical Lens is 92% of the equivalent Clear Optical Lens.
 Multiply the lumen data of the Frosted Optical Lens by the above factor.

Source Specifications (Clear Optical Lens)

Length Option	300mm [1ft]	1200mm [4ft]
Source	RGBW Discrete (D) LED 12 pcs (3R+3G+3B+3W)	RGBW Discrete (D) LED 48 pcs (12R+12G+12B+12W)
Optics	60° x 10°	

Candela Distribution

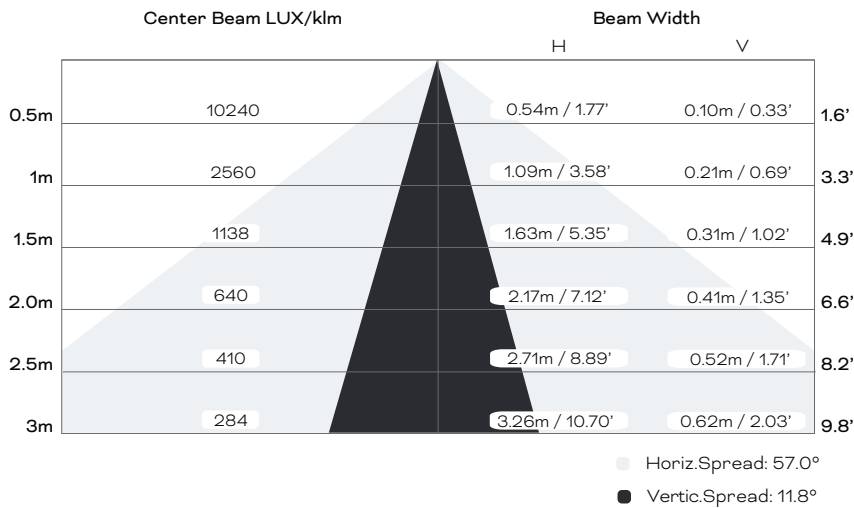


Light Output

300mm [1ft]				
	Color	Luminous Flux per Meter (lm)	Center Intensity (cd)	Efficacy (lm/W)
3W	RGBW (FULL ON)	105.3	277	35.1
5W	RGBW (FULL ON)	198.0	521	39.6
8W	RGBW (FULL ON)	324.0	853	40.5
12W	RGBW (FULL ON)	496.8	1308	41.4

1200mm [4ft]				
	Color	Luminous Flux per Meter (lm)	Center Intensity (cd)	Efficacy (lm/W)
12W	RGBW (FULL ON)	442.8	1166	36.9
20W	RGBW (FULL ON)	828.0	2180	41.4
32W	RGBW (FULL ON)	1353.6	3564	42.3
48W	RGBW (FULL ON)	2073.6	5460	43.2

Illuminance at a Distance



For Foot-candle divide by 10.7

IES and LDT files are available for download from the Traxon website.

To estimate additional photometric data, use the following lumen factor:

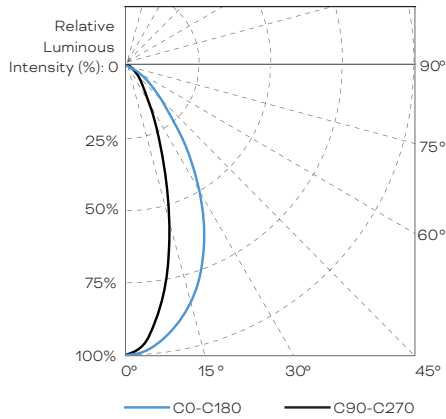
	Efficacy (Frosted Optical Lens)
Lumen factors	0.92

The photometric data of the Frosted Optical Lens is 92% of the equivalent Clear Optical Lens.
 Multiply the lumen data of the Frosted Optical Lens by the above factor.

Source Specifications (Clear Optical Lens)

Length Option	300mm [1ft]	1200mm [4ft]
Source	RGBW Discrete (D) LED 12 pcs (3R+3G+3B+3W)	RGBW Discrete (D) LED 48 pcs (12R+12G+12B+12W)
Optics	60° x 30°	

Candela Distribution

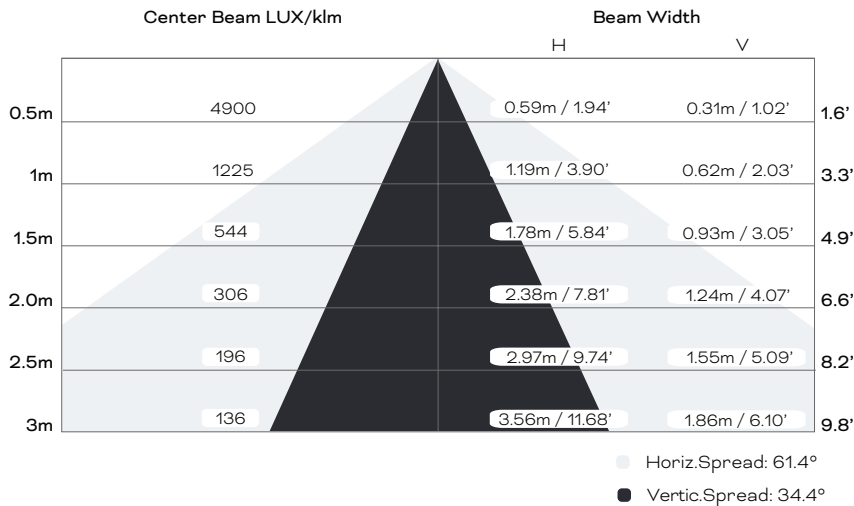


Light Output

300mm [1ft]				
	Color	Luminous Flux per Meter (lm)	Center Intensity (cd)	Efficacy (lm/W)
3W	RGBW (FULL ON)	105.3	130	35.1
5W	RGBW (FULL ON)	198.0	244	39.6
8W	RGBW (FULL ON)	324.0	399	40.5
12W	RGBW (FULL ON)	496.8	613	41.4

1200mm [4ft]				
	Color	Luminous Flux per Meter (lm)	Center Intensity (cd)	Efficacy (lm/W)
12W	RGBW (FULL ON)	442.8	546	36.9
20W	RGBW (FULL ON)	828.0	1021	41.4
32W	RGBW (FULL ON)	1353.6	1669	42.3
48W	RGBW (FULL ON)	2073.6	2557	43.2

Illuminance at a Distance



For Foot-candle divide by 10.7

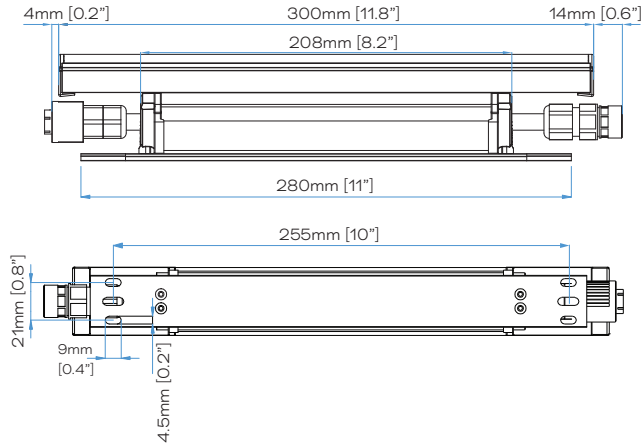
IES and LDT files are available for download from the Traxon website.

To estimate additional photometric data, use the following lumen factor:

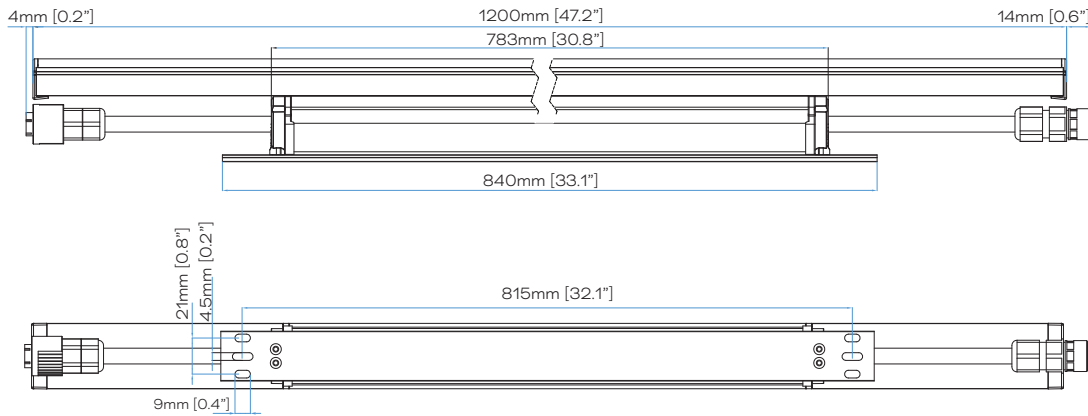
	Efficacy (Frosted Optical Lens)
Lumen factors	0.92

The photometric data of the Frosted Optical Lens is 92% of the equivalent Clear Optical Lens.
 Multiply the lumen data of the Frosted Optical Lens by the above factor.

Fixture

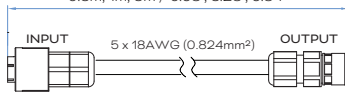


	W1	W2	W3	H1	H2
300mm [1ft]	38mm [1.5"]	35mm [1.4"]	29mm [1.1"]	60mm [2.4"]	38mm [1.5"]
1200mm [4ft]	38mm [1.5"]	35mm [1.4"]	29mm [1.1"]	60mm [2.4"]	38mm [1.5"]

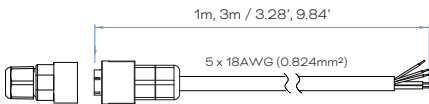


Connection Accessories

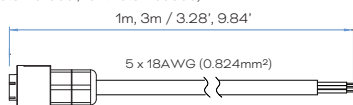
POWER + DMX INTERCONNECTION CABLE 0.3M / 1M / 3M ETL
(CA.IC.SI.200300 / CA.IC.SI.201000 / CA.IC.SI.203000)
0.3m, 1m, 3m / 0.98', 3.28', 9.84'



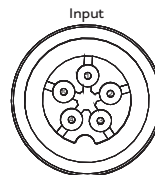
STARTER CABLE SI PWR / DMX 1M / 3M ETL CA.SC.SI.201000 / CA.SC.SI.203000
STARTER CABLE SI 1M PWR/DMX ETL & END CAP SI W/TERM (CA.SC.SI.201000 & END CAP SI W/TERM)
STARTER CABLE SI 3M PWR/DMX ETL & END CAP SI W/TERM (CA.SC.SI.203000 & END CAP SI W/TERM)



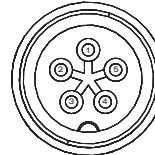
POWER INPUT CABLE 1M / 3M ETL
(CA.PC.SI.701000 / CA.PC.SI.703000)



Connector Pin Assignment (Starter Cable / Interconnection Cable)



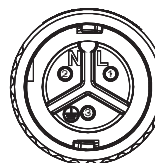
Input



Output

Wire#	Function	Color
1	DO NOT use	Green
2	Neutral	White
3	DMX+	Violet
4	DMX-	Pink
5	Line	Black

Connector Pin Assignment (Power Input Cable)

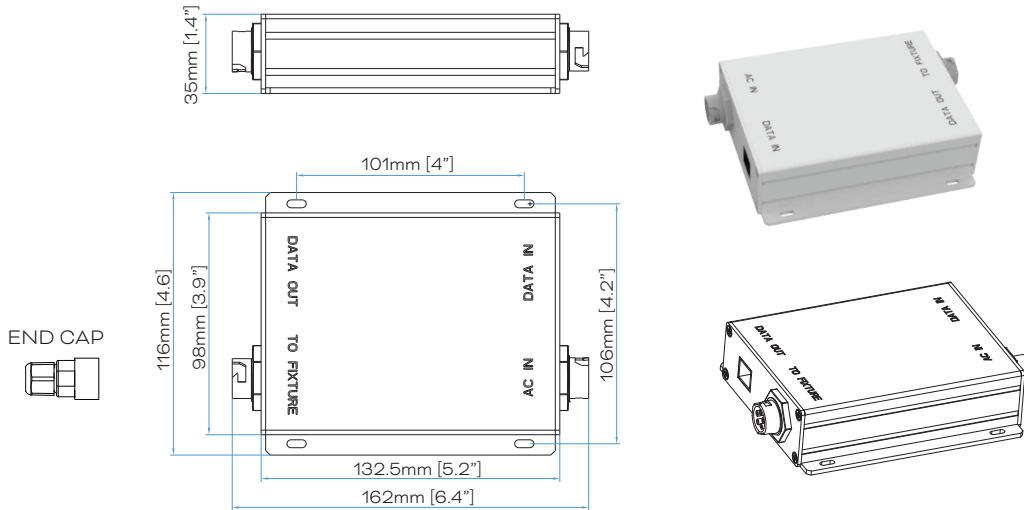


Wire#	Function	Color
1	Line	Black
2	Neutral	White
3	DO NOT use	Green

NOTE: Please see CAD files for additional dimensional data.

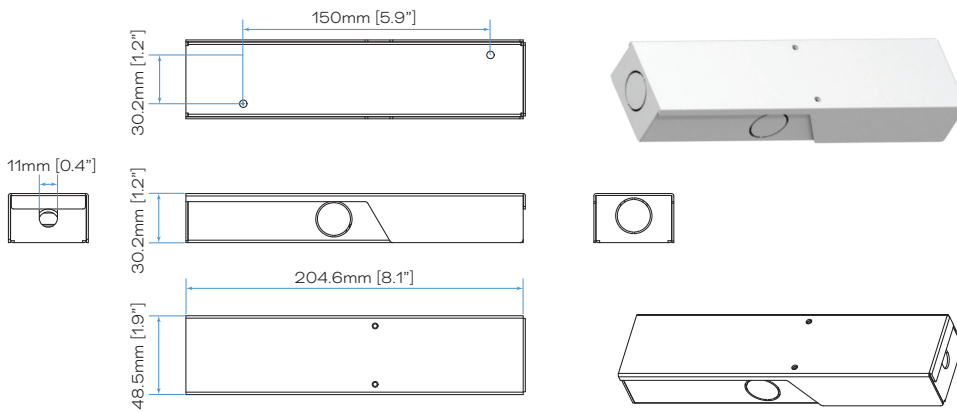
Cove Light Plus Injector

COVE LIGHT PLUS AC INJECTOR (DA23100474055)
 COVE LIGHT PLUS AC INJECTOR & END CAP SI W/TERM (DL24302066655)



Cove Light Plus Wiring Box

COVE LIGHT PLUS WIRING BOX (DA24102044355)



Mounting Accessories

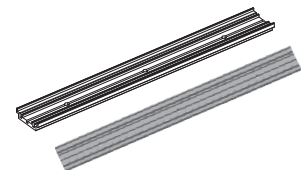
COVE LIGHT PLUS CLIP MOUNT (without Track)



COVE LIGHT PLUS CLIP MOUNT (with Track)



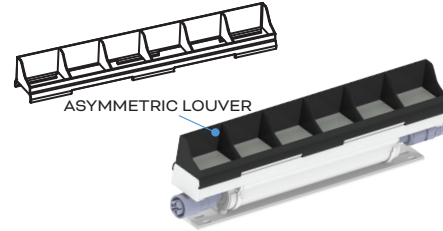
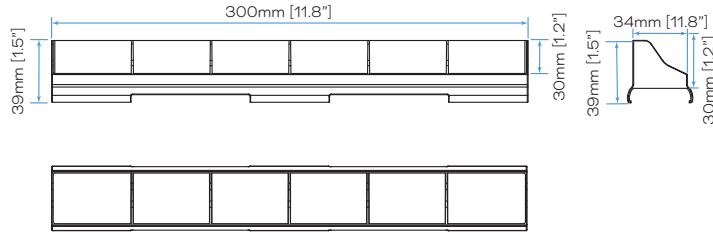
COVE LIGHT PLUS TRACK MOUNT



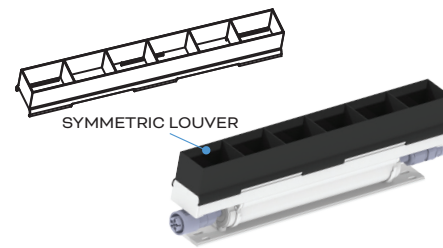
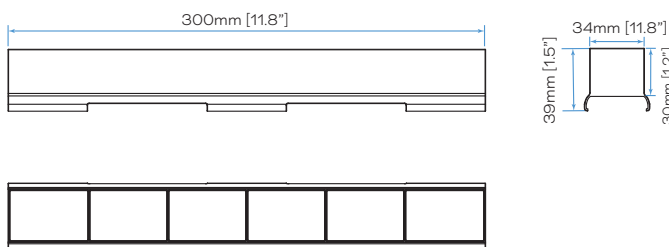
NOTE: Please see CAD files for additional dimensional data.

Optical Accessories

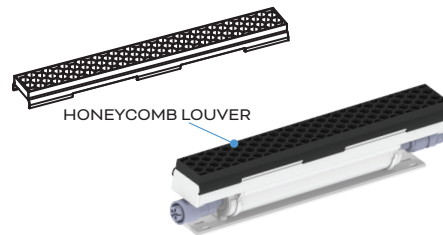
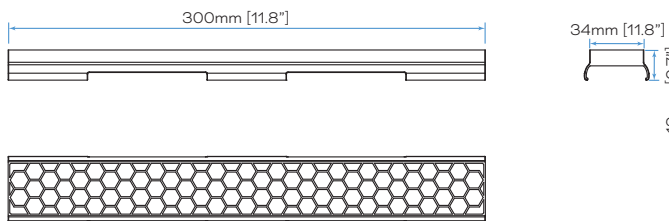
COVE LIGHT PLUS LOUVER (ASYM) 300



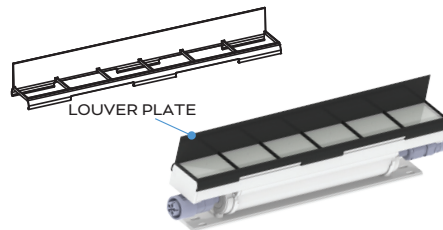
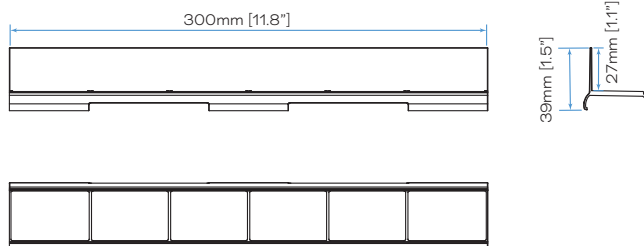
COVE LIGHT PLUS LOUVER (SYM) 300



COVE LIGHT PLUS HONEYCOMB LOUVER 300

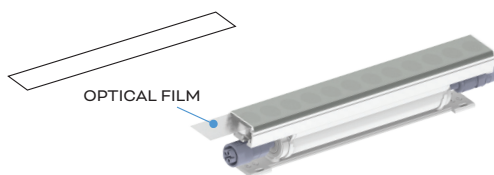


COVE LIGHT PLUS LOUVER PLATE 300

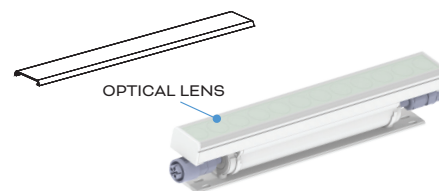


NOTE: All louver accessories are only available in 300mm (11.8") lengths. Fixture of 300mm or 1200mm length needs 1pc / 4pcs louvers respectively.

COVE LIGHT PLUS OPTICAL FILM (D) 300

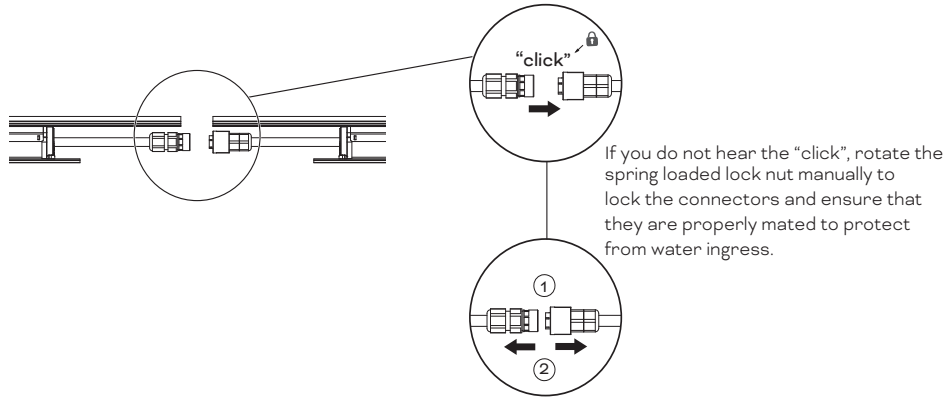


COVE LIGHT PLUS OPTICAL LENS CLEAR / FROSTED 300



NOTE: Please see CAD files for additional dimensional data.

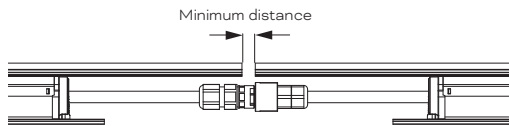
Cable Connection



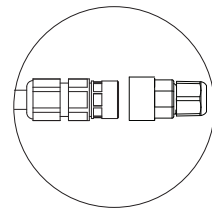
Cove-to-Cove Clearance

To maintain consistent LED pitch and to allow for thermal expansion for Cove Lights:

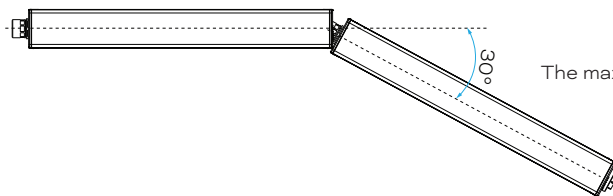
The minimum distance depends on the temperature difference. Normally, it is 5mm/0.2"



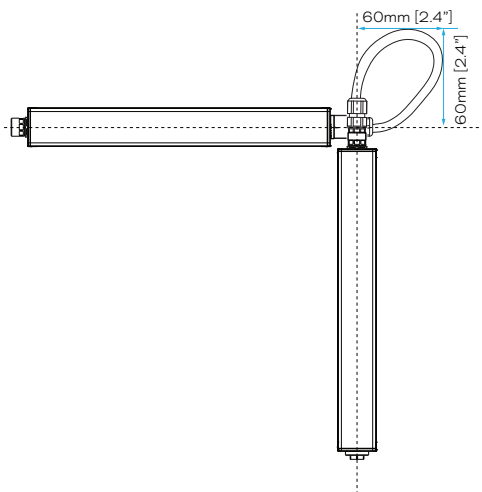
End Cap Seal on Last Cove Light Plus



Cove-to-Cove Bending

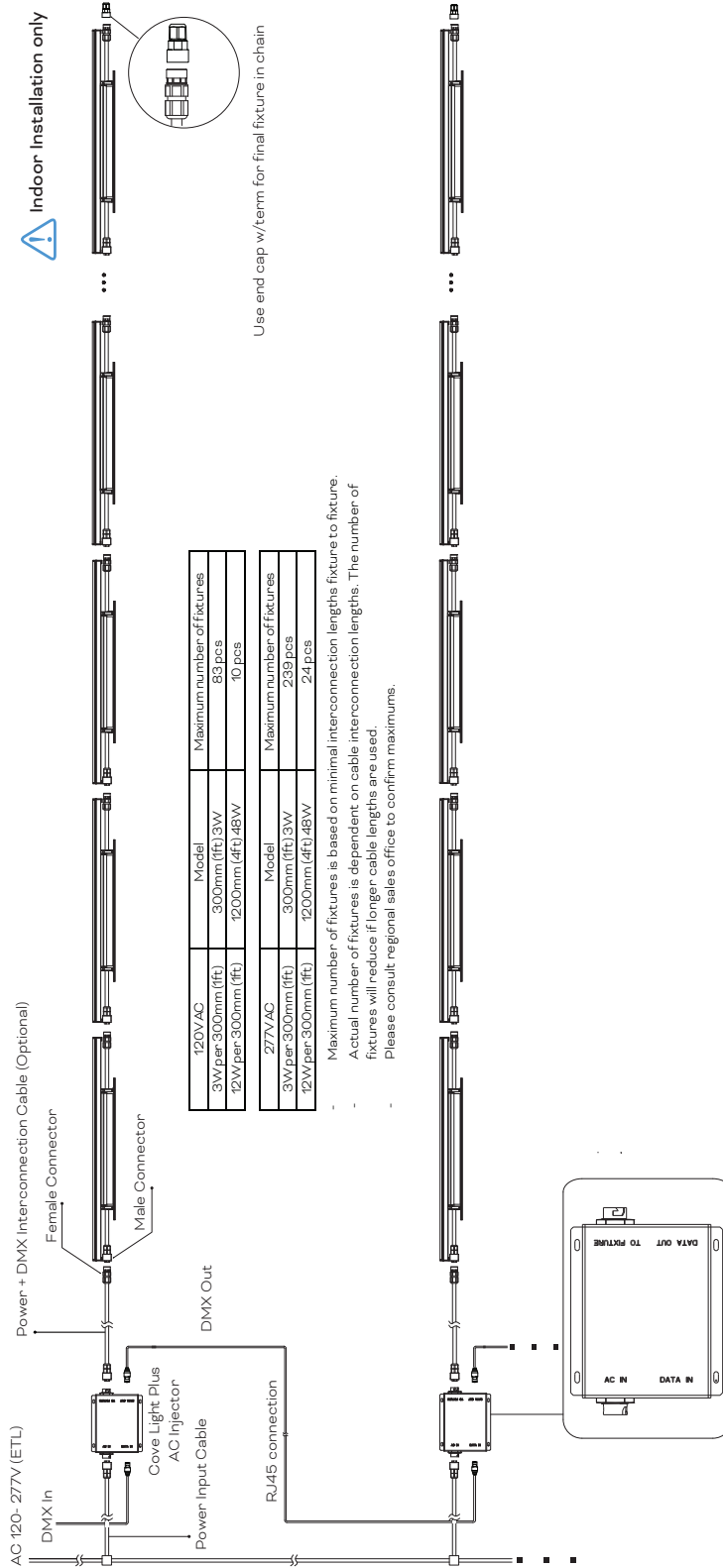


The maximum allowable end-to-end bending angle is 30°.

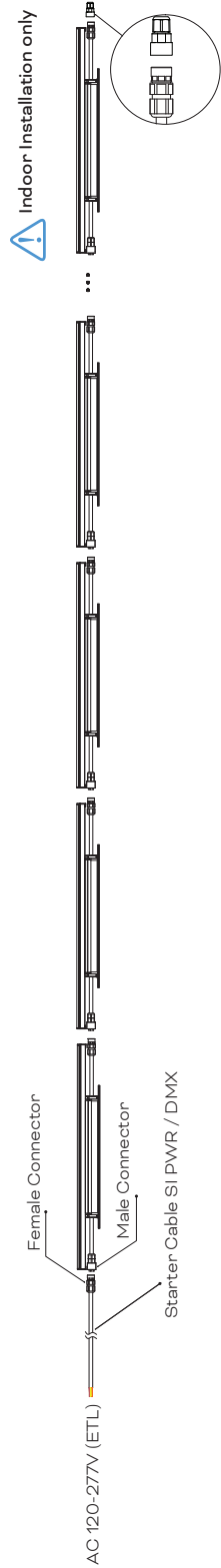


If a greater bending angle is needed, please utilize an interconnection ($\geq 300\text{mm} / 11.8\text{''}$) cable to link the fixtures. The typical bending radius should be 60mm [2.4"].

Wiring Diagram with Injector



Wiring Diagram with Starter Cable



Use end cap w/term for final fixture in chain

120VAC	Model	Maximum number of fixtures
3W per 300mm (ft)	300mm (ft) 3W	88 pcs
12W per 300mm (ft)	1200mm (4ft) 48W	10 pcs
277VAC	Model	Maximum number of fixtures
3W per 300mm (ft)	300mm (ft) 3W	239 pcs
12W per 300mm (ft)	1200mm (4ft) 48W	24 pcs

Function	Color
Line	Black
Neutral	White
DMX+	Violet
DMX-	Pink
DO NOT use	Green

- Maximum number of fixtures is based on minimal interconnection lengths fixture to fixture.
- Actual number of fixtures is dependent on cable interconnection lengths. The number of fixtures will reduce if longer cable lengths are used.
- Please consult regional sales office to confirm maximums.

Model Number Builder - Optic Version

CL	PL	1	NN	2	3	N	N	N	N	N	4	0	N	0	0
		Voltage	Power per 0.3m (ft)	LED***	CCT	CRI	Optics/Beam	Optical Lens	Length ****	Control	Approbation	Pixel**			
		1 - AC	03 - 3W	2 - RGBW (D)	3 - 3000K	0 - 80	1 - 10° (native optics)	0 - Clear	1 - 300mm (ft)	1 - DMX	4 - cETLus	1 - 1PXL/fixture			
			05 - 5W			1 - 90*	4 - 20°	1 - Frosted	4 - 1200mm (4ft)	2 - RDM	4 - 4PXL/fixture				
			08 - 8W				5 - 30°								
			12 - 12W				6 - 50°								
							7 - 60°								
							9 - 80°								
							B - 35°x10°								
							E - 60°x10°								
							G - 60°x20°								
							H - 60°x30°								
							J - ASY								

* Only available for Optic Version RGBW Discrete (W=3000K) fixture.
 ** Standard Pixel: 300mm fixture - 1PXL, 1200mm fixture - 4 PXL.
 *** RGBW (D) = RGBW Discrete LED.
 **** 450mm (18") length available by request. Please see your regional Traxon team regarding available and limitations.

EXAMPLE COVE LIGHT PLUS AC 12W RGBW30(D) 10° CLEAR 300 DMX ETL 1PXL
 Model Number: CL.PL.112230101140100

CL	PL	1	12	2	3	0	1	0	1	1	4	0	1	0	0
----	----	---	----	---	---	---	---	---	---	---	---	---	---	---	---

Project Model Number

CL	PL	1		2	3						4	0		0	0
----	----	---	--	---	---	--	--	--	--	--	---	---	--	---	---

Cable/Connector

Model No.	Description	Item Code
CA.PC.SI.701000	POWER CABLE 1M (CL INJECTOR) ETL	DA23100472855
CA.PC.SI.703000	POWER CABLE 3M (CL INJECTOR) ETL	DA23100472955
CA.SC.SI.201000	STARTER CABLE SI 1M PWR/DMX ETL	DA23100473255
CA.SC.SI.203000	STARTER CABLE SI 3M PWR/DMX ETL	DA23100473355
CA.IC.SI.200300	INTERCONNECTION CABLE SI 0.3M PWR/DMX ETL	DL24102067355
CA.IC.SI.201000	INTERCONNECTION CABLE SI 1M PWR/DMX ETL	DA23100473655
CA.IC.SI.203000	INTERCONNECTION CABLE SI 3M PWR/DMX ETL	DA23100473755
N/A	END CAP SI W/TERM	DA23100769255
CA.SC.SI.201000 & END CAP SI W/TERM	STARTER CABLE SI 1M PWR/DMX ETL & END CAP SI W/TERM	DL24302066255
CA.SC.SI.203000 & END CAP SI W/TERM	STARTER CABLE SI 3M PWR/DMX ETL & END CAP SI W/TERM	DL24302066355

Injector & Wiring Box

Model No.	Description	Item Code
N/A	COVE LIGHT PLUS AC INJECTOR	DA23100474055
N/A	COVE LIGHT PLUS AC INJECTOR & END CAP SI W/TERM	DL24302066655
N/A	COVE LIGHT PLUS WIRING BOX	DA24102044355

Optical Accessories - Optical Film

Model No.	Description	Item Code
CLPLOL.608400	COVE LIGHT PLUS OPTICAL LENS CLEAR 300	DA24102044455
CLPLOL.908400	COVE LIGHT PLUS OPTICAL LENS CLEAR 1200	DA24102044755
CLPLOL.608500	COVE LIGHT PLUS OPTICAL LENS FROSTED 300	DA24102044855
CLPLOL.908500	COVE LIGHT PLUS OPTICAL LENS FROSTED 1200	DA24102045155
CLPLOF-D.611000	COVE LIGHT PLUS OPTICAL FILM (D) 20° 300	DA24102045255
CLPLOF-D.612000	COVE LIGHT PLUS OPTICAL FILM (D) 30° 300	DA24102045355
CLPLOF-D.613000	COVE LIGHT PLUS OPTICAL FILM (D) 50° 300	DA24102045455
CLPLOF-D.614000	COVE LIGHT PLUS OPTICAL FILM (D) 60° 300	DA24102045555
CLPLOF-D.616000	COVE LIGHT PLUS OPTICAL FILM (D) 80° 300	DA24102045655
CLPLOF-D.618000	COVE LIGHT PLUS OPTICAL FILM (D) 35°x10° 300	DA24102045755
CLPLOF-D.621000	COVE LIGHT PLUS OPTICAL FILM (D) 60°x10° 300	DA24102045855
CLPLOF-D.623000	COVE LIGHT PLUS OPTICAL FILM (D) 60°x20° 300	DA24102045955
CLPLOF-D.624000	COVE LIGHT PLUS OPTICAL FILM (D) 60°x30° 300	DA24102046055
CLPLOF-D.911000	COVE LIGHT PLUS OPTICAL FILM (D) 20° 1200	DA24102047955
CLPLOF-D.912000	COVE LIGHT PLUS OPTICAL FILM (D) 30° 1200	DA24102048055
CLPLOF-D.913000	COVE LIGHT PLUS OPTICAL FILM (D) 50° 1200	DA24102048155
CLPLOF-D.914000	COVE LIGHT PLUS OPTICAL FILM (D) 60° 1200	DA24102048255
CLPLOF-D.916000	COVE LIGHT PLUS OPTICAL FILM (D) 80° 1200	DA24102048355
CLPLOF-D.918000	COVE LIGHT PLUS OPTICAL FILM (D) 35°x10° 1200	DA24102048455
CLPLOF-D.921000	COVE LIGHT PLUS OPTICAL FILM (D) 60°x10° 1200	DA24102048555
CLPLOF-D.923000	COVE LIGHT PLUS OPTICAL FILM (D) 60°x20° 1200	DA24102048655
CLPLOF-D.924000	COVE LIGHT PLUS OPTICAL FILM (D) 60°x30° 1200	DA24102048755

Note: No ASY OPTICAL Film (must use native optics fixture and not by Optical Film)

Optical Accessories - Louver

Model No.	Description	Item Code
CLPLLO-S.600200	COVE LIGHT PLUS LOUVER (SYM) 300	DA24102053255
CLPLLO-A.600200	COVE LIGHT PLUS LOUVER (ASYM) 300	DA24102053355
CLPLLO-P.600200	COVE LIGHT PLUS LOUVER PLATE 300	DA24102053455
CLPLHC.600200	COVE LIGHT PLUS HONEYCOMB LOUVER 300	DA24102053555

Mounting Accessories

Model No.	Description	Item Code
N/A	COVE LIGHT PLUS TRACK 300	DA24102053655
N/A	COVE LIGHT PLUS TRACK 1200	DA24102053955
N/A	COVE LIGHT PLUS TRACK 2400	DA24102054055
N/A	COVE LIGHT PLUS TRACK 300 (10 PCS)	DA24102056455
N/A	COVE LIGHT PLUS TRACK 1200 (10 PCS)	DA24102056755
N/A	COVE LIGHT PLUS TRACK 2400 (10 PCS)	DA24102056855
N/A	COVE LIGHT PLUS CLIP MOUNT (10 PCS)	DA24102054155
N/A	COVE LIGHT PLUS CLIP MOUNT (2PCS) WITH TRACK 300	DA24102054255
N/A	COVE LIGHT PLUS CLIP MOUNT (2PCS) WITH TRACK 1200	DA24102054555

