

Project: _____
 Type: _____

Allegro Washer AC RGB



The Allegro Washer AC RGB is an intelligent, AC line powered high brightness luminaire family. The fixture is controllable via DMX512, and features 16.7 million additive RGB colors. The simplicity of the luminaire's topology means it can be simply daisy-chained to form long runs. Remote Device Management (RDM) circuits are built into each luminaire that enables extensive control and monitoring of the entire lighting installation. This product is intended for use in high-quality colored light applications.



Product Specifications	50W	100W	150W	200W
Light Source	High power LEDs			
Color Range	RGB			
Beam Angle	Native 5° with field-installable spread lens 10°, 30°, 55°, 80°			
Luminous Flux	1580 lm	3160 lm	4740 lm	6320 lm
Efficacy	32 lm/W typ.			
Lumen Maintenance	L70 @25°C - 80,000hrs			
Cover Lens	Tempered glass cover			
Housing	Aluminium, powder coating			
Adjustment Options	135° vertical tilt; ±180° horizontal			
Dimensions (Ø x H x D)	Ø235 x 317 x 203mm 9.3" x 13.5" x 8.0"	Ø310 x 395 x 252mm 12.2" x 15.6" x 9.9"	Ø392 x 476 x 264mm 15.4" x 18.7" x 10.4"	
Weight	7.8kg/17.2lb	13.9kg/30.6lb	17.8kg/39.2lb	18kg/39.7lb
Regulatory Listing & Safety Approval	CE, cETLus, IEC 60598-2-3, 3G ANSI C136.31 IK10	IK10	IK09	IK09
Operating Temperature	-30°C to +50°C / -22°F to +122°F (-20°C / -4°F starting)			
Storage Temperature	-40°C to +70°C / -40°F to +158°F			
Environment	Outdoor (IP66), suitable for coastal environments			
Humidity	85%, non-condensing			

Electrical Specifications	50W	100W	150W	200W
Input Voltage	120V - 277V AC nominal			
Power Consumption	50W	100W	150W	200W
Power Factor	≥ 0.9			

System Specifications	
Power	AC line
Control	DMX512, Remote Device Management (RDM) DynaMood® · BinOne · BoostOne · BeamOne · AddressOne
Power Supply	Built-in
Fixture Interconnection	Refer to System Diagram

LED CHARACTERISTICS Because LEDs are semiconductor devices, their performances are subject to inherent variability commonly found in semiconductor industry. To improve consistency in performance across the same product, LED manufacturers "sort" LEDs into bins according to different preset parameters, such as forward driving voltage, illumination, etc. Whereas binning is a sorting function, it is not a correction process. Inherent variability in the manufacturing process results always in different binning distributions according to different production lots. Traxon uses automatically binned LEDs on its products, thereby minimizing output variations within the model range.

As with all electronic devices, LED output degrades over time – a term called lumen depreciation. This also explains why it is nearly impossible to expect photometric performances of two LED products with different service life spans to be the same. The rate of LED degrade is a complicate function of many factors such as operating efficiency, duration of continuous operation, and more significantly, environmental conditions (ambient temperature for example). If allowed working under optimal operating temperature range and with good ventilation, LED devices enjoy long service lives over conventional light sources. When using/installing LED devices, care should be taken to ensure that the devices will operate within the operating conditions specified in respective product literature.

This product contains a light source of energy efficiency class G to Regulation (EU) No 2019/2015. Lumen measurement complies with LM-79-05 standard. Lumen maintenance is calculated based on LM-80 compliant measurement.

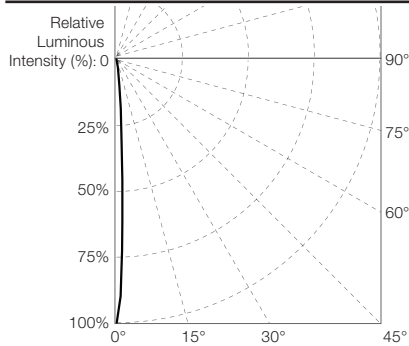
www.traxontechnologies.com | www.osram.us/traxon

©2021 TRAXON TECHNOLOGIES - AN OSRAM BUSINESS. ALL RIGHTS RESERVED. TRAXON™, TX CONNECT®, ARE TRADEMARKS OF TRAXON TECHNOLOGIES. U.S. PATENTS, E.U. PATENTS, JAPAN PATENTS, OTHER PATENTS PENDING. SPECIFICATIONS ARE SUBJECT TO CHANGE WITHOUT NOTICE.

Source Specifications

Optics 5°

Candela Distribution



Light Output

Color	Luminous Flux (lm)	Candela Distribution at 100%	Efficacy (lm/W)
50W			
RGB (full-on)	1902	127957	40
Red	678	47978	43
Green	1139	73719	61
Blue	161	11332	8
100W			
RGB (full-on)	3804	255914	40
Red	1356	95957	43
Green	2278	147438	61
Blue	323	22664	8
150W			
RGB (full-on)	5706	383872	40
Red	2034	143935	43
Green	3417	221157	61
Blue	484	33996	8
200W			
RGB (full-on)	7608	511829	40
Red	2712	191914	43
Green	4556	294876	61
Blue	645	45328	8

Luminaire setting: Equal-current mode.

Illuminance at a Distance

	Center beam Lux/klm	Beam width (m) H
10m	679	0.87m
20m	170	1.75m
30m	75	2.62m
40m	42	3.49m
50m	27	4.37m
60m	19	5.24m
70m	14	6.11m

● Horiz. Spread: 5.0°

For fc divide by 10.7

For feet multiply by 3.28

IES and LDT files are available for download from the Traxon website.

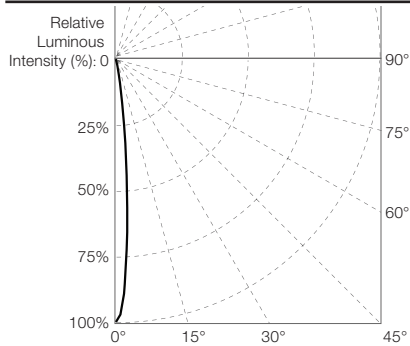
www.traxontechnologies.com | www.osram.us/traxon

©2021 TRAXON TECHNOLOGIES - AN OSRAM BUSINESS. ALL RIGHTS RESERVED. TRAXON™, TX CONNECT®, ARE TRADEMARKS OF TRAXON TECHNOLOGIES. U.S. PATENTS, E.U. PATENTS, JAPAN PATENTS, OTHER PATENTS PENDING. SPECIFICATIONS ARE SUBJECT TO CHANGE WITHOUT NOTICE.

Source Specifications

Optics 10°

Candela Distribution



Light Output

Color	Luminous Flux (lm)	Candela Distribution at 100%	Efficacy (lm/W)
50W			
RGB (full-on)	1693	40458	35
Red	604	14303	38
Green	1014	23823	55
Blue	144	3086	8
100W			
RGB (full-on)	3386	80917	35
Red	1207	28607	38
Green	2027	47646	55
Blue	287	6173	8
150W			
RGB (full-on)	5078	121375	35
Red	1811	42910	38
Green	3041	71468	55
Blue	431	9259	8
200W			
RGB (full-on)	6771	161833	35
Red	2414	57213	38
Green	4055	95291	55
Blue	574	12345	8

Luminaire setting: Equal-current mode.

Illuminance at a Distance

	Center beam Lux/klm	Beam width (m) H
10m	242	1.71m
20m	60	3.43m
30m	27	5.14m
40m	15	6.86m
50m	10	8.57m
60m	7	10.29m

● Horiz. Spread: 9.8°

For fc divide by 10.7

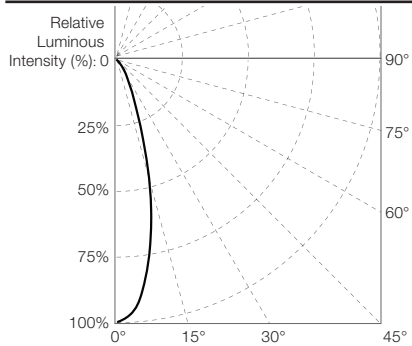
For feet multiply by 3.28

IES and LDT files are available for download from the Traxon website.

Source Specifications

Optics 30°

Candela Distribution



Light Output

Color	Luminous Flux (lm)	Candela Distribution at 100%	Efficacy (lm/W)
50W			
RGB (full-on)	1693	5417	35
Red	604	1992	38
Green	1014	3244	55
Blue	144	431	8
100W			
RGB (full-on)	3386	10834	35
Red	1207	3983	38
Green	2027	6488	55
Blue	287	861	8
150W			
RGB (full-on)	5078	16251	35
Red	1811	5975	38
Green	3041	9732	55
Blue	431	1292	8
200W			
RGB (full-on)	6771	21668	35
Red	2414	7966	38
Green	4055	12976	55
Blue	574	1723	8

Luminaire setting: Equal-current mode.

Illuminance at a Distance

	Center beam Lux/klm	Beam width (m) H
9m	42	4.59m
18m	10	9.18m
27m	5	13.76m
36m	3	18.35m
45m	2	22.94m

For fc divide by 10.7

IES and LDT files are available for download from the Traxon website.

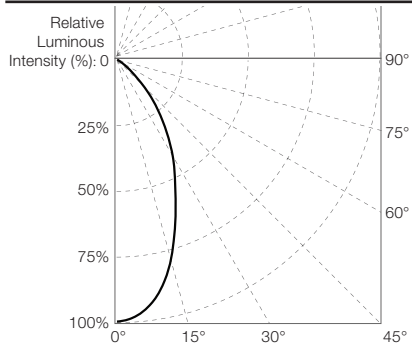
● Horiz. Spread: 28.6°

For feet multiply by 3.28

Source Specifications

Optics 55°

Candela Distribution

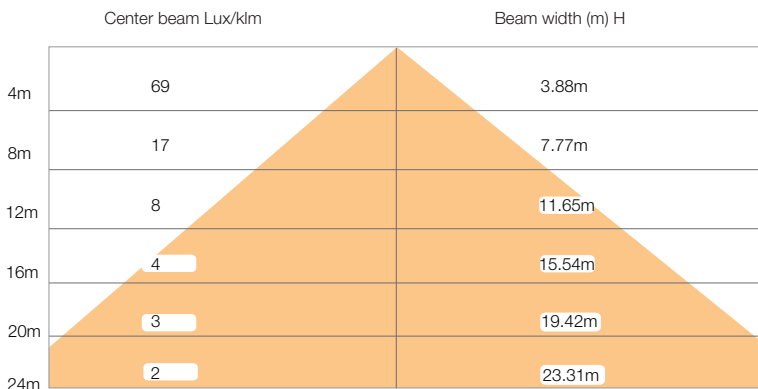


Light Output

Color	Luminous Flux (lm)	Candela Distribution at 100%	Efficacy (lm/W)
50W			
RGB (full-on)	1693	1845	35
Red	604	658	38
Green	1014	1105	55
Blue	144	146	8
100W			
RGB (full-on)	3386	3690	35
Red	1207	1316	38
Green	2027	2210	55
Blue	287	293	8
150W			
RGB (full-on)	5078	5536	35
Red	1811	1974	38
Green	3041	3315	55
Blue	431	439	8
200W			
RGB (full-on)	6771	7381	35
Red	2414	2631	38
Green	4055	4420	55
Blue	574	586	8

Luminaire setting: Equal-current mode.

Illuminance at a Distance



● Horiz. Spread: 51.8°
For feet multiply by 3.28

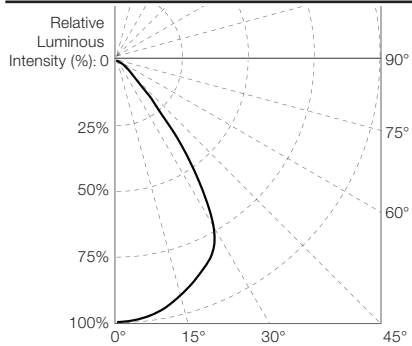
For fc divide by 10.7

IES and LDT files are available for download from the Traxon website.

Source Specifications

Optics 80°

Candela Distribution



Light Output

Color	Luminous Flux (lm)	Candela Distribution at 100%	Efficacy (lm/W)
50W			
RGB (full-on)	1636	1243	34
Red	583	443	37
Green	980	744	53
Blue	139	98	7
100W			
RGB (full-on)	3272	2486	34
Red	1166	886	37
Green	1959	1489	53
Blue	277	197	7
150W			
RGB (full-on)	4907	3730	34
Red	1750	1330	37
Green	2939	2233	53
Blue	416	295	7
200W			
RGB (full-on)	6543	4973	34
Red	2333	1773	37
Green	3918	2978	53
Blue	555	394	7

Luminaire setting: Equal-current mode.

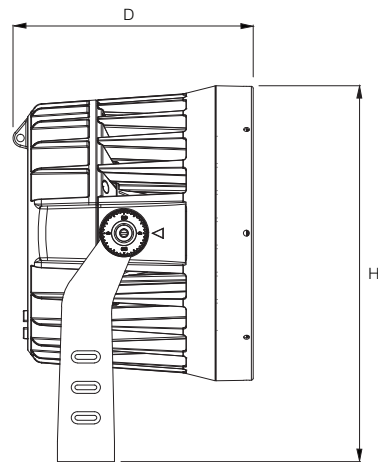
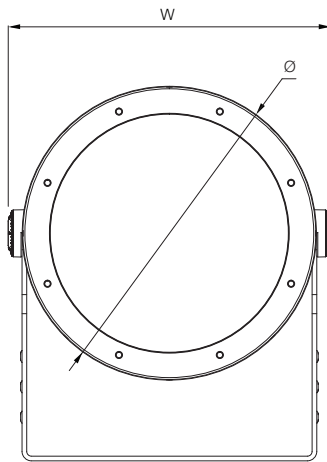
Illuminance at a Distance

Height (m)	Center beam Lux/klm	Beam width (m) H
2m	199	2.86m
4m	50	5.73m
6m	22	8.59m
8m	12	11.45m
10m	8	14.32m
12m	6	17.18m

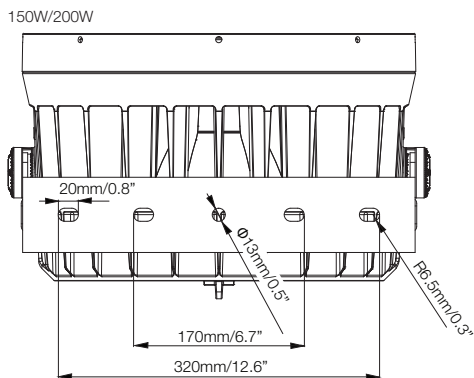
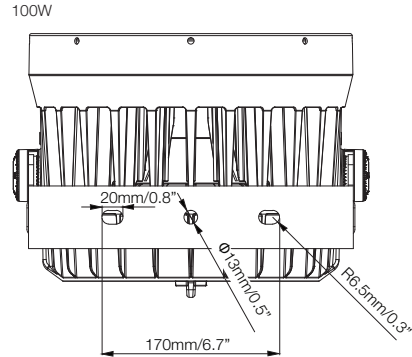
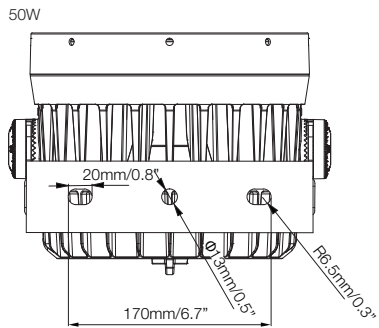
● Horiz. Spread: 71.2°
For feet multiply by 3.28

For fc divide by 10.7

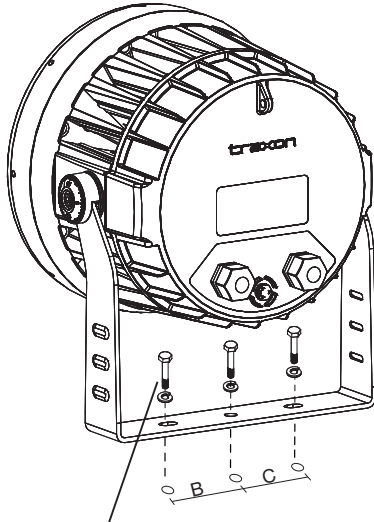
IES and LDT files are available for download from the Traxon website.



	50W	100W	150W/200W
Ø	235mm/9.3"	310mm/12.2"	392mm/15.4"
W	270mm/10.6"	340mm/13.4"	420mm/16.5"
H	317mm/12.5"	395mm/15.6"	476mm/18.7"
D	203mm/8.0"	252mm/9.9"	264mm/10.4"

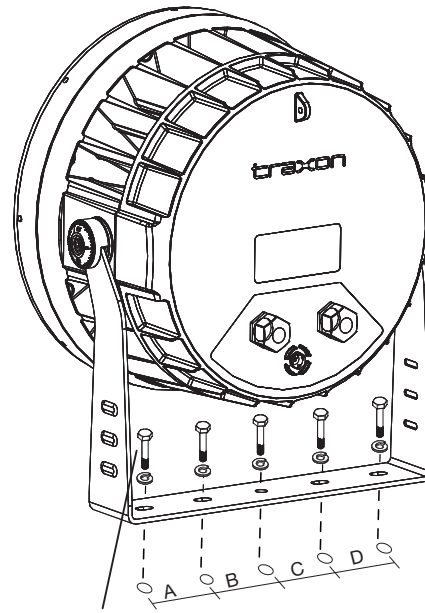


50W&100W



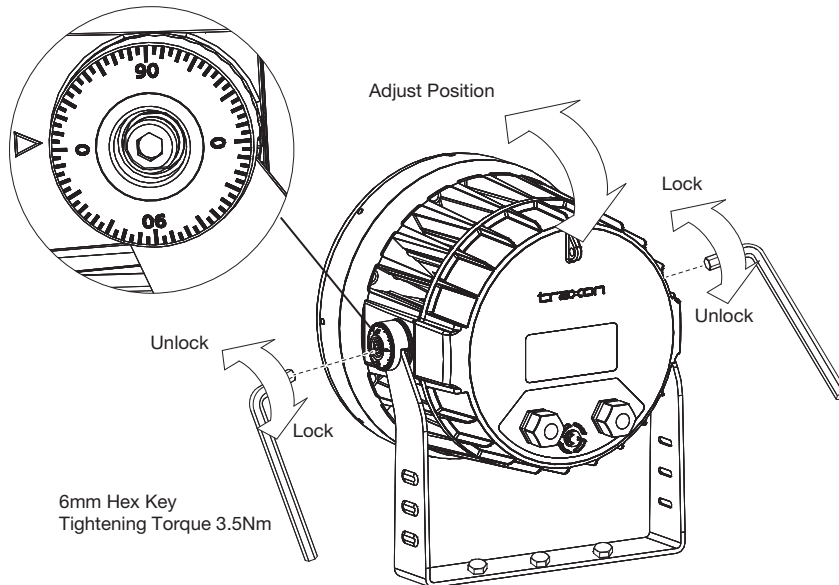
12mm screw (X3, for 50W&100W) (not included)

150W&200W



12mm screw (X5, for 150W/200W) (not included)

Dimension	A	B	C	D
50W		75mm/2.95"	75mm/2.95"	
100W		75mm/2.95"	75mm/2.95"	
150W	75mm/2.95"	75mm/2.95"	75mm/2.95"	75mm/2.95"
200W	75mm/2.95"	75mm/2.95"	75mm/2.95"	75mm/2.95"

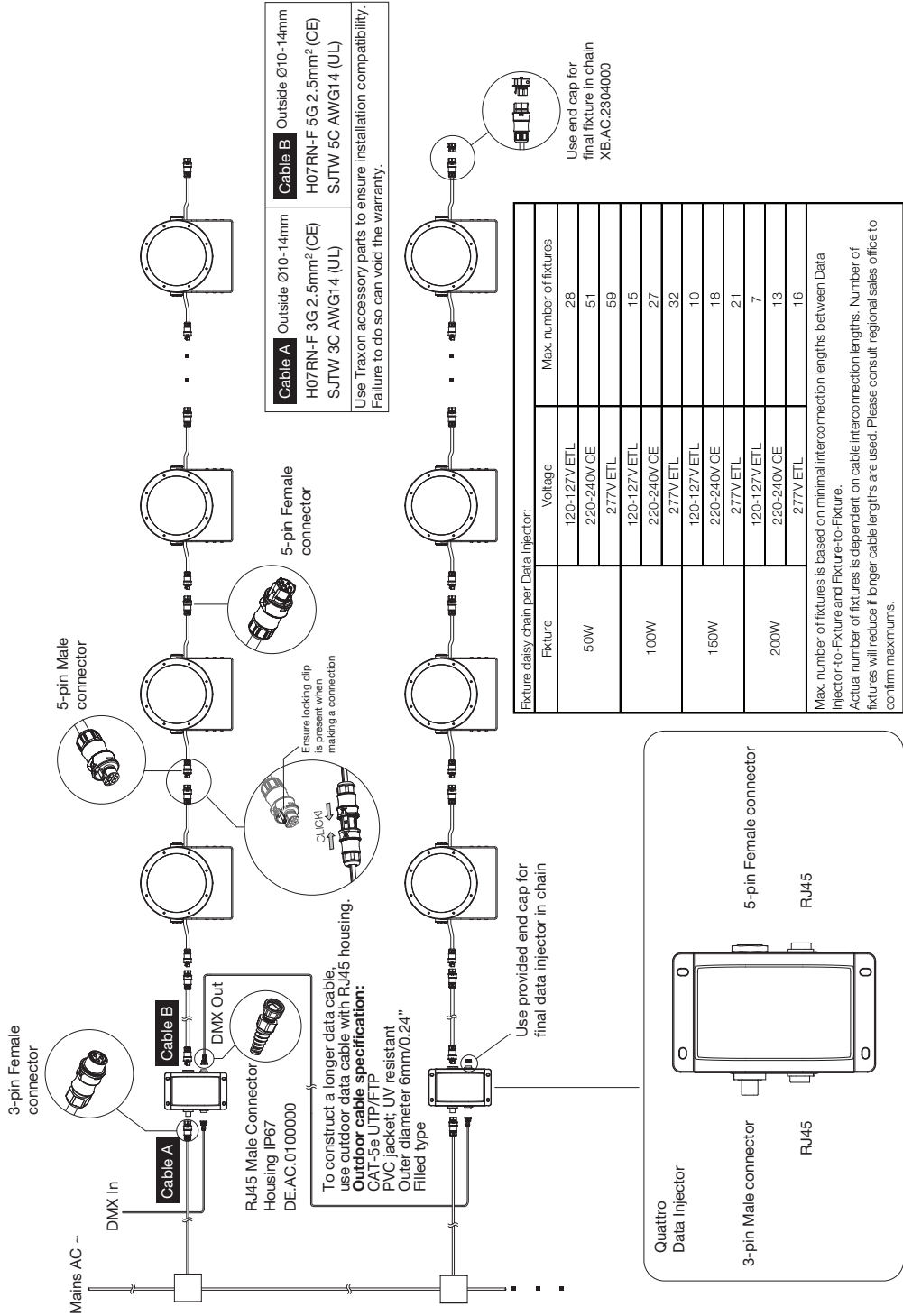


⚠ Only turn enough to unlock
Do not unscrew the hex screw from fixture

⚠ 1. Tilt the head slightly to mount the bracket.
Only turn enough to unlock.
2. Do not unscrew the hex screw from fixture.

www.traxontechnologies.com | www.osram.us/traxon

©2021 TRAXON TECHNOLOGIES - AN OSRAM BUSINESS. ALL RIGHTS RESERVED. TRAXON™, TX CONNECT®, ARE TRADEMARKS OF TRAXON TECHNOLOGIES. U.S. PATENTS, E.U. PATENTS, JAPAN PATENTS, OTHER PATENTS PENDING. SPECIFICATIONS ARE SUBJECT TO CHANGE WITHOUT NOTICE.



Allegro Washer AC RGB

Ordering

Luminaire CE Models

Model No.	Description	Item Code
XB.W6.8310120	ALLEGRO WASHER AC 50W RGB 5deg CE 220-240V AC	AM328560055
XB.W7.8310120	ALLEGRO WASHER AC 100W RGB 5deg CE 220-240V AC	AM328570055
XB.W8.8310120	ALLEGRO WASHER AC 150W RGB 5deg CE 220-240V AC	AM328590055
XB.W9.8310120	ALLEGRO WASHER AC 200W RGB 5deg CE 220-240V AC	AM328600055

Field-Installable Spread Lens

Model No.	Description	Item Code
N/A	ALLEGRO WASHER 10X10deg SPREAD LENS for 50W	AM331630055
N/A	ALLEGRO WASHER 30X30deg SPREAD LENS for 50W	AM331640055
N/A	ALLEGRO WASHER 55X55deg SPREAD LENS for 50W	AM331650055
N/A	ALLEGRO WASHER 80X80deg SPREAD LENS for 50W	AM331660055
N/A	ALLEGRO WASHER 60X10deg SPREAD LENS for 50W	AM331680055
N/A	ALLEGRO WASHER 60X30deg SPREAD LENS for 50W	AM331690055
N/A	ALLEGRO WASHER 10X10deg SPREAD LENS for 100W	AM331700055
N/A	ALLEGRO WASHER 30X30deg SPREAD LENS for 100W	AM331710055
N/A	ALLEGRO WASHER 55X55deg SPREAD LENS for 100W	AM331720055
N/A	ALLEGRO WASHER 80X80deg SPREAD LENS for 100W	AM331780055
N/A	ALLEGRO WASHER 60X10deg SPREAD LENS for 100W	AM331790055
N/A	ALLEGRO WASHER 60X30deg SPREAD LENS for 100W	AM331800055
N/A	ALLEGRO WASHER 10X10deg SPREAD LENS for 150W/200W	AM331820055
N/A	ALLEGRO WASHER 30X30deg SPREAD LENS for 150W/200W	AM331830055
N/A	ALLEGRO WASHER 55X55deg SPREAD LENS for 150W/200W	AM331840055
N/A	ALLEGRO WASHER 80X80deg SPREAD LENS for 150W/200W	AM331850055
N/A	ALLEGRO WASHER 60X10deg SPREAD LENS for 150W/200W	AM331860055
N/A	ALLEGRO WASHER 60X30deg SPREAD LENS for 150W/200W	AM331870055

CE Accessories

Model No.	Description	Item Code
XB.AC.4000000	QUATTRO AC XB DATA INJECTOR 100-277V ETL/CE	AB389160055
XE.ID.0204000	AC XB Interconnection Cable, 5-wire, 2.5mm ² , CE (2m)	AB389130055
XE.ID.0074000	AC XB Interconnection Cable, 5-wire, 2.5mm ² , CE (0.7m)	AB389100055
XE.IF.0104000	AC XB Power Cable, 3-wire, 2.5mm ² , CE (1m)	AB389060055
XB.AC.4006000	3-pin Field Installable AC Connector Socket IP66	AB389040035
XB.AC.2302000	5-pin Field Installable AC Connector Plug IP66	AA438580235
XB.AC.2303000	5-pin Field Installable AC Connector Socket IP66	AA438570235
XB.AC.2304000	5-pin Connector Socket End Cap IP66	AA508870335

Luminaire ETL Models

Model No.	Description	Item Code
XB.W6.8310110	ALLEGRO WASHER AC 50W RGB 5deg ETL 120/277V AC	AM328610055
XB.W7.8310110	ALLEGRO WASHER AC 100W RGB 5deg ETL 120/277V AC	AM328620055
XB.W8.8310110	ALLEGRO WASHER AC 150W RGB 5deg ETL 120/277V AC	AM328630055
XB.W9.8310110	ALLEGRO WASHER AC 200W RGB 5deg ETL 120/277V AC	AM328640055

Field-Installable Spread Lens

Model No.	Description	Item Code
N/A	ALLEGRO WASHER 10X10deg SPREAD LENS for 50W	AM331630055
N/A	ALLEGRO WASHER 30X30deg SPREAD LENS for 50W	AM331640055
N/A	ALLEGRO WASHER 55X55deg SPREAD LENS for 50W	AM331650055
N/A	ALLEGRO WASHER 80X80deg SPREAD LENS for 50W	AM331660055
N/A	ALLEGRO WASHER 60X10deg SPREAD LENS for 50W	AM331680055
N/A	ALLEGRO WASHER 60X30deg SPREAD LENS for 50W	AM331690055
N/A	ALLEGRO WASHER 10X10deg SPREAD LENS for 100W	AM331700055
N/A	ALLEGRO WASHER 30X30deg SPREAD LENS for 100W	AM331710055
N/A	ALLEGRO WASHER 55X55deg SPREAD LENS for 100W	AM331720055
N/A	ALLEGRO WASHER 80X80deg SPREAD LENS for 100W	AM331780055
N/A	ALLEGRO WASHER 60X10deg SPREAD LENS for 100W	AM331790055
N/A	ALLEGRO WASHER 60X30deg SPREAD LENS for 100W	AM331800055
N/A	ALLEGRO WASHER 10X10deg SPREAD LENS for 150W/200W	AM331820055
N/A	ALLEGRO WASHER 30X30deg SPREAD LENS for 150W/200W	AM331830055
N/A	ALLEGRO WASHER 55X55deg SPREAD LENS for 150W/200W	AM331840055
N/A	ALLEGRO WASHER 80X80deg SPREAD LENS for 150W/200W	AM331850055
N/A	ALLEGRO WASHER 60X10deg SPREAD LENS for 150W/200W	AM331860055
N/A	ALLEGRO WASHER 60X30deg SPREAD LENS for 150W/200W	AM331870055

ETL Accessories

Model No.	Description	Item Code
XB.AC.4000000	QUATTRO AC XB DATA INJECTOR 100-277V ETL/CE	AB389160055
XB.AC.2302000	5-pin Field Installable AC Connector Plug IP66	AA438580235
XB.AC.2303000	5-pin Field Installable AC Connector Socket IP66	AA438570235
XB.AC.3106000	3-pin Field Installable AC Connector Socket IP66	AA792890035
	XB 5C-AWG14 CABLE AC US 10M/32.8ft	AA639240054
	XB 5C-AWG14 CABLE AC US 50M/164ft	AA639250054
	XB 5C-AWG14 CABLE AC US 100M/328ft	AA569430155
	XB 3C-AWG14 CABLE AC US 10M/32.8ft	AA639270054
	XB 3C-AWG14 CABLE AC US 50M/164ft	AA639260054
	XB 3C-AWG14 CABLE AC US 100M/328ft	AA556630155
DE.AC.0100000	RJ45 Male Connector Housing IP67	AA556100155
XB.AC.2304000	5-pin Connector Socket End Cap IP66	AA508870335

Our Brands

traxon **et:cue**

www.traxontechnologies.com | www.osram.us/traxon

©2020 TRAXON TECHNOLOGIES - AN OSRAM BUSINESS. ALL RIGHTS RESERVED. TRAXON™, TX CONNECT®, ARE TRADEMARKS OF TRAXON TECHNOLOGIES. U.S. PATENTS, E.U. PATENTS, JAPAN PATENTS, OTHER PATENTS PENDING. SPECIFICATIONS ARE SUBJECT TO CHANGE WITHOUT NOTICE.