

#### Product Highlights:

- Various color solutions for different façade lighting design requirements (RGBW / RGB / Dynamic White / White)
- Long dot string up to 80 dots per string
- Flexible solution with different mounting options (Mesh-Grid-System, wire mounting & clip)
- Huge data system with PXL Distributor Pro 8
- 5 years warranty
- IP66 & 67

## Light is flexible Allegro Dot XS

The smallest and most flexible media dot for outdoor applications.

**Light is OSRAM**

Our Brands

traxon **ecue**

**OSRAM**

## Allegro Dot XS



Allegro Dot XS is the newest and smallest member of the intelligent Allegro Dot family which enables longer chains of illuminated Dots. The Allegro Dot XS is ideal for outdoor media applications, where it can be integrated seamlessly into the façade, or it can be installed to float in the air with our highly transparent mounting options. Each system is driven by the Pixel Distributor Pro 8 (PDP8) which integrates power and data into one unit, reducing the space required for installation components. Each PDP8 can support up to 8 Allegro Dot XS outputs with e:net IN and OUT.

### Advantages & Benefits

- Various color solutions for different façade lighting design requirements (RGBW / RGB / Dynamic White / White)
- Up to 80 dots per string
- Flexible solution with four mounting options (Mesh-Grid-System , wire mounting, clip & DIN Rail)
- 5 year warranty
- IP66 & 67

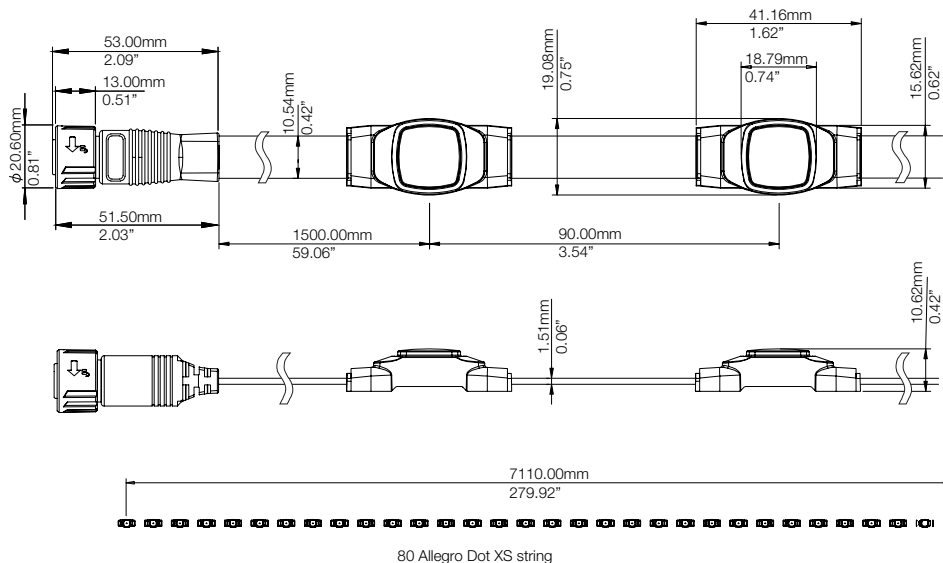
### Applications

- Medium resolution media façade
- Creative entertainment
- Backlighting media



### Dimensions

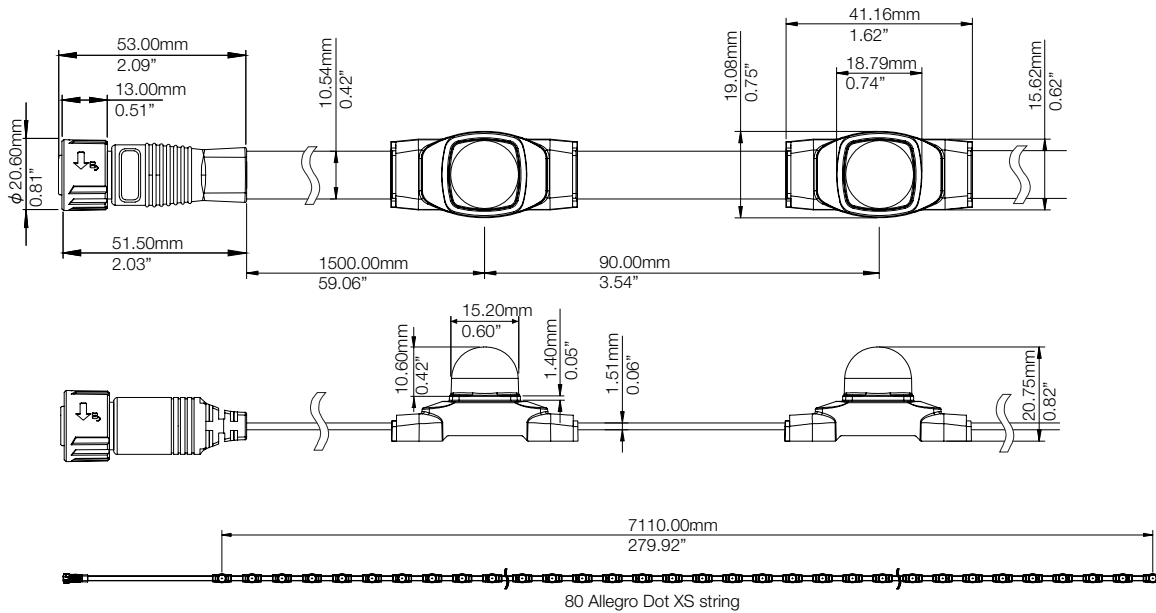
#### Allegro Dot XS Clear



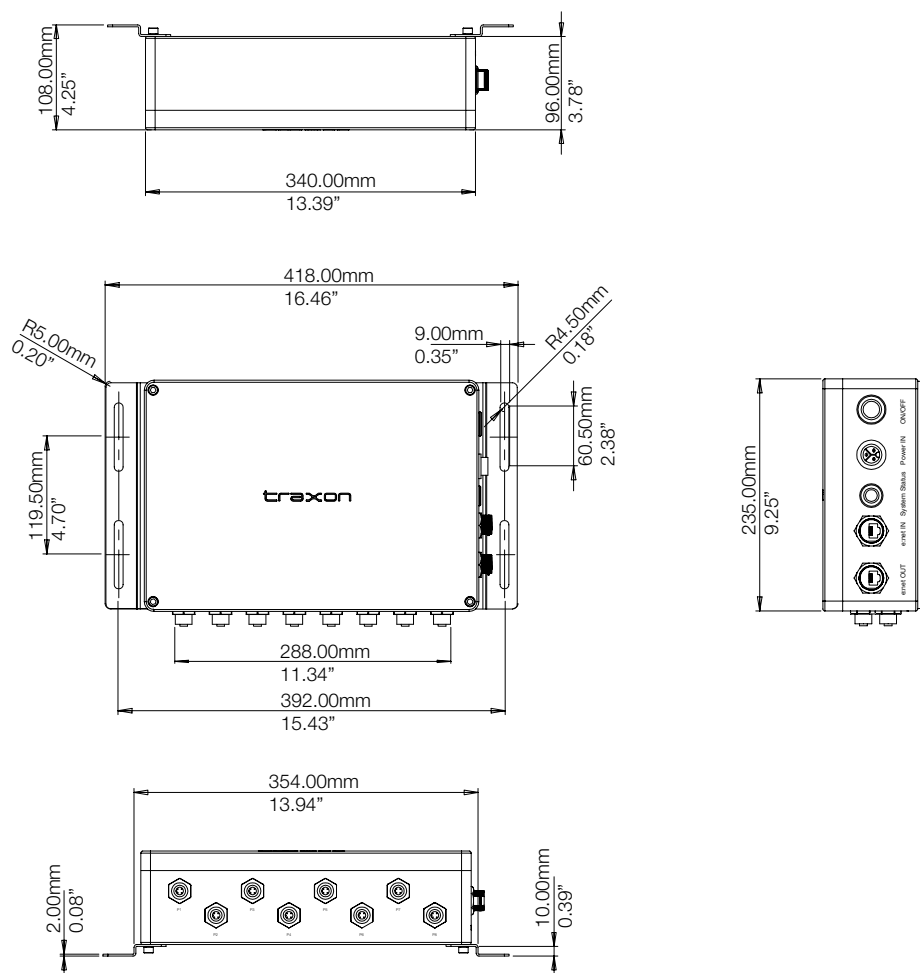
# Allegro Dot XS

## Dimensions

### Allegro Dot XS Diffused



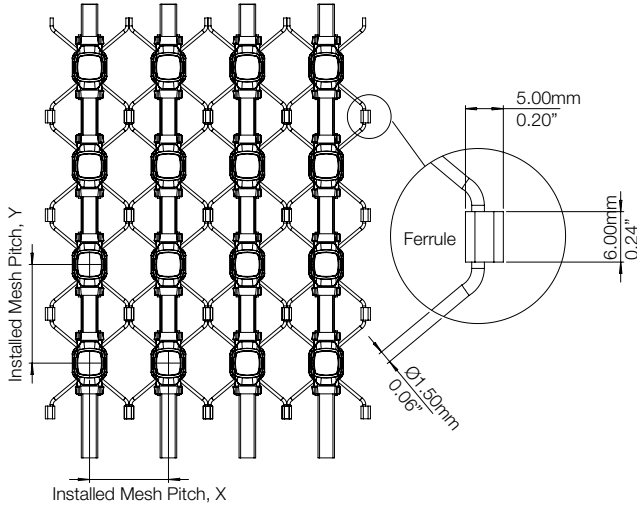
### PXL Distributor Pro 8



# Allegro Dot XS

## Mounting

### Stainless Steel Mesh Grid - High Density Dot Media Solution



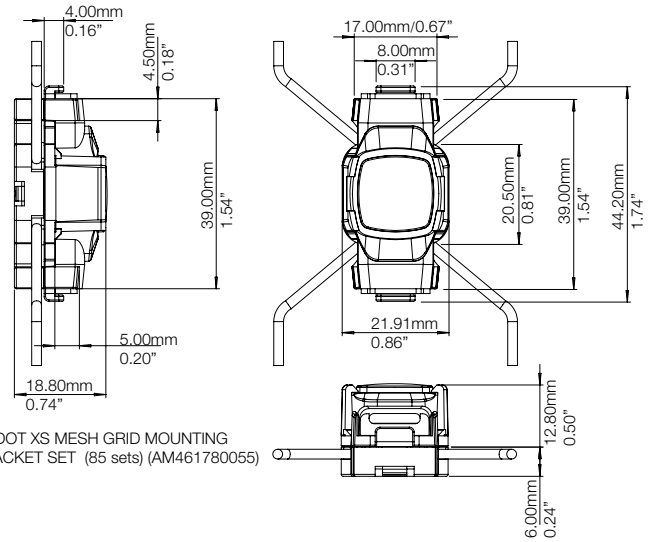
NOTE: The Mounting Bracket is designed to fit to this Ferrule dimension.



### Standard Mesh Grid

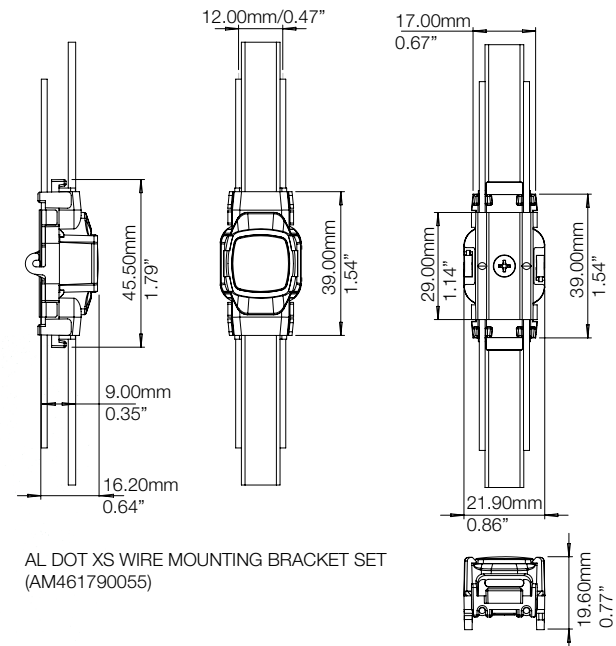
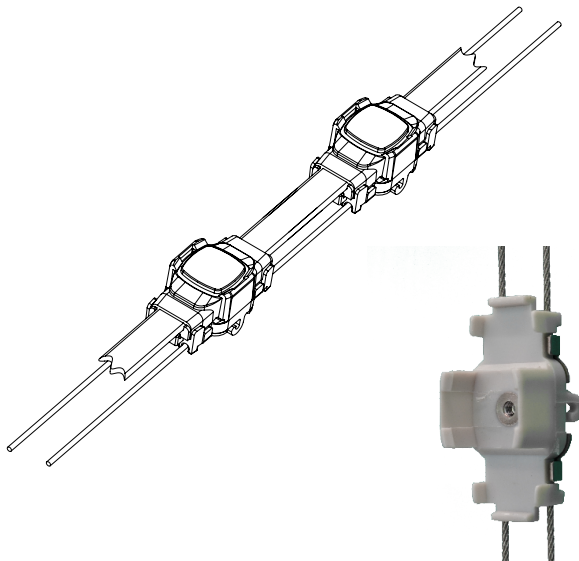
	Installed Mesh Pitch, x (mm)	Installed Mesh Pitch, y (mm)	Weight of MG / m <sup>2</sup> (g)
MG15-40	45	62	937
MG15-50 (Standard)	60	77	722
MG15-60	80	84	517
MG15-70	90	105	423
MG15-80	100	117	370
MG15-90	125	125	320
MG15-100	135	140	282
MG15-120	170	175	204

NOTE: Pitch measured when the mesh grid is fully stretched.



AL DOT XS MESH GRID MOUNTING BRACKET SET (85 sets) (AM461780055)

### Wire Mounting - Low Density / Single String Installation Solution

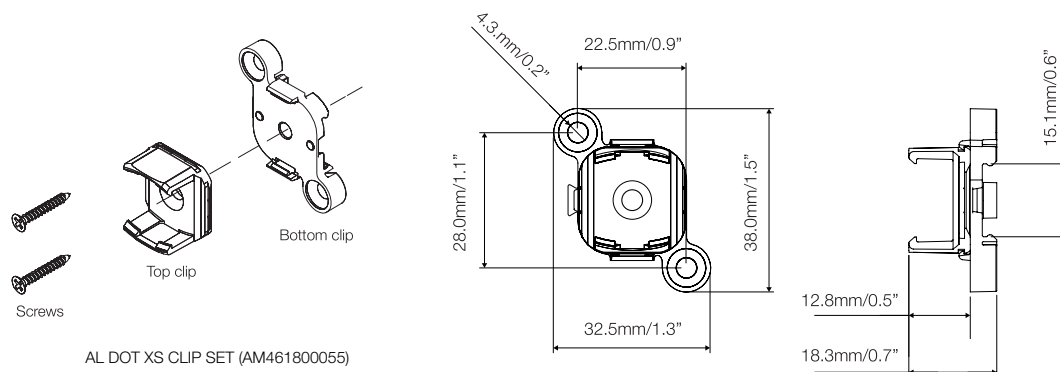


AL DOT XS WIRE MOUNTING BRACKET SET (AM461790055)

## Allegro Dot XS

## Mounting

## Dot Clip - Low Density / Single String Installation Solution



Product Reference	IC		AC/DC	V	W		lm	$\frac{l}{(in)}$	$\frac{W}{(in)}$	$\frac{h}{(in)}$	$^{\circ}F_{min-max}$	CONTROL
<b>Fixture</b>												
AL DO XS CR RGBW65 80PPF 90P 1.5M	AM461050055	RGBW	DC	30	0.6	110	17	1.6	0.7	0.4	-13 to +122	e:net
AL DO XS DF RGBW65 80PPF 90P 1.5M	AM461060055	RGBW	DC	30	0.6	150	15	1.6	0.7	0.8	-13 to +122	e:net
AL DO XS CR RGB 80PPF 90P 1.5M	AM461070055	RGB	DC	30	0.43	110	7	1.6	0.7	0.4	-13 to +122	e:net
AL DO XS DF RGB 80PPF 90P 1.5M	AM461080055	RGB	DC	30	0.43	150	6	1.6	0.7	0.8	-13 to +122	e:net
AL DO XS CR DW2765 80PPF 90P 1.5M	AM461090055	Dynamic White	DC	30	0.5	110	26	1.6	0.7	0.4	-13 to +122	e:net
AL DO XS DF DW2765 80PPF 90P 1.5M	AM461100055	Dynamic White	DC	30	0.5	150	22	1.6	0.7	0.8	-13 to +122	e:net
AL DO XS CR WW 80PPF 90P 1.5M	AM461110055	Warm White	DC	30	0.5	110	25	1.6	0.7	0.4	-13 to +122	e:net
AL DO XS DF WW 80PPF 90P 1.5M	AM461120055	Warm White	DC	30	0.5	150	21	1.6	0.7	0.8	-13 to +122	e:net
AL DO XS CR CW 80PPF 90P 1.5M	AM461130055	Cold White	DC	30	0.5	110	27	1.6	0.7	0.4	-13 to +122	e:net
AL DO XS DF CW 80PPF 90P 1.5M	AM461140055	Cold White	DC	30	0.5	150	23	1.6	0.7	0.8	-13 to +122	e:net
<b>Mounting Accessories</b>												
MG15-50 (For standard AL DO XS)*												
AL DO XS MG BRACKET SET 85	AM461780055											
AL DO XS WIRE BRACKET SET 85	AM461790055											
AL DO XS CLIP SET 85	AM461800055											
<b>Connection Accessories</b>												
PXL DISTRIBUTOR PRO 8	AM461810055		AC	100-277	10			418	235	108	-13 to +122	e:net
AL DO XS LEAD CABLE 3.5M	AM461760055											
3PIN INSTALL CONN PD8 IP67	AM461770055											

\*Check with your local Traxon e:cue regional office for additional customization options.

Technical data subject to variation and change without notice.

Traxon e:cue

Sales enquiry: [Information.Traxon@traxontechnologies.com](mailto:Information.Traxon@traxontechnologies.com)  
[www.osram.us/traxon](http://www.osram.us/traxon)