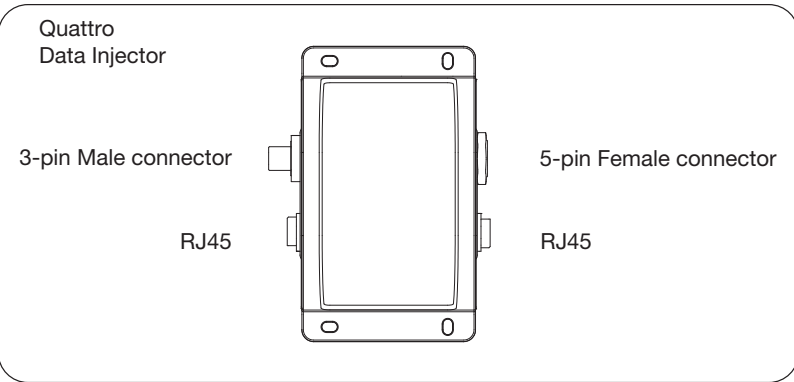


Cable A	Outside Ø10-14mm H07RN-F 3G 2.5mm ² (CE) SJTW 3C AWG14 (UL)	Cable B	Outside Ø10-14mm H07RN-F 5G 2.5mm ² (CE) SJTW 5C AWG14 (UL)
Use Traxon accessory parts to ensure installation compatibility. Failure to do so can void the warranty.			

To construct a longer data cable, use outdoor data cable with RJ45 housing.
Outdoor cable specification:
 CAT-5e UTP/FTP
 PVC jacket; UV resistant
 Outer diameter 6mm/0.24"
 Filled type

Use provided end cap for final data injector in chain

Use end cap for final fixture in chain
 XB.AC.2304000



Fixture daisy chain per Data Injector:

Fixture	Voltage	Max. number of fixtures
50W	120-127V ETL	28
	220-240V CE	51
	277V ETL	59
100W	120-127V ETL	15
	220-240V CE	27
	277V ETL	32
150W	120-127V ETL	10
	220-240V CE	18
	277V ETL	21
200W	120-127V ETL	7
	220-240V CE	13
	277V ETL	16

Max. number of fixtures is based on minimal interconnection lengths between Data Injector-to-Fixture and Fixture-to-Fixture.
 Actual number of fixtures is dependent on cable interconnection lengths. Number of fixtures will reduce if longer cable lengths are used. Please consult regional sales office to confirm maximums.