

Project: _____
 Type: _____

Allegro Washer AC DW



The Allegro Washer AC DW is an intelligent, AC line powered high brightness luminaire family. The fixture is controllable via DMX512, and features tunable white. The simplicity of the luminaire's topology means it can be easily daisy-chained to form long runs. Remote Device Management (RDM) circuits are built into each luminaire that enables extensive control and monitoring of the entire lighting installation.



Product Specifications

	50W	100W	150W	200W
Light Source	High power LEDs			
Color Range	Dynamic White (2700K-5700K)			
Beam Angle	Native 5° with field-installable spread lens 10°, 30°, 55°, 80°			
Luminous Flux	3088-3590 lm	6175-7181 lm	9263-10771 lm	12351-14361 lm
Efficacy	70-82 lm/W typ.			
Lumen Maintenance	L70 @25°C - 80,000hrs			
Cover Lens	Tempered glass cover			
Housing	Aluminium, powder coating			
Adjustment Options	135° vertical tilt; ±180° horizontal			
Dimensions (Ø x H x D)	Ø235 x 317 x 203mm 9.3" x 13.5" x 8.0"	Ø310 x 395 x 252mm 12.2" x 15.6" x 9.9"	Ø392 x 476 x 264mm 15.4" x 18.7" x 10.4"	
Weight	7.8kg/17.2lb	13.9kg/30.6lb	17.8kg/39.2lb	18kg/39.7lb
Regulatory Listing & Safety Approval	CE, cETLus, IEC 60598-2-3, 3G ANSI C136.31 IK10		IK09	IK09
Operating Temperature	-30°C to +50°C / -22°F to +122°F (-20°C / -4°F starting)			
Storage Temperature	-40°C to +70°C / -40°F to +158°F			
Environment	Outdoor (IP66), suitable for coastal environments			
Humidity	85%, non-condensing			

Electrical Specifications

Input Voltage	120V - 277V AC nominal			
Power Consumption	50W	100W	150W	200W
Power Factor	≥ 0.9			

System Specifications

Power	AC line
Control	DMX512, Remote Device Management (RDM) DynaMood®: BinOne · BoostOne · BeamOne · AddressOne
Power Supply	Built-in
Fixture Interconnection	Refer to System Diagram

LED CHARACTERISTICS Because LEDs are semiconductor devices, their performances are subject to inherent variability commonly found in semiconductor industry. To improve consistency in performance across the same product, LED manufacturers "sort" LEDs into bins according to different preset parameters, such as forward driving voltage, illumination, etc. Whereas binning is a sorting function, it is not a correction process. Inherent variability in the manufacturing process results always in different binning distributions according to different production lots. Traxon uses automatically binned LEDs on its products, thereby minimizing output variations within the model range.

As with all electronic devices, LED output degrades over time – a term called lumen depreciation. This also explains why it is nearly impossible to expect photometric performances of two LED products with different service life spans to be the same. The rate of LED degrade is a complicate function of many factors such as operating efficiency, duration of continuous operation, and more significantly, environmental conditions (ambient temperature for example). If allowed working under optimal operating temperature range and with good ventilation, LED devices enjoy long service lives over conventional light sources. When using/installing LED devices, care should be taken to ensure that the devices will operate within the operating conditions specified in respective product literature.

Lumen measurement complies with LM-79-08 standard.
 Lumen maintenance is calculated based on LM-80 compliant measurement.

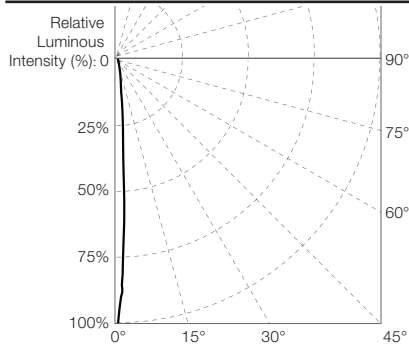
www.traxontechnologies.com | www.osram.us/traxon

©2020 TRAXON TECHNOLOGIES - AN OSRAM BUSINESS. ALL RIGHTS RESERVED. TRAXON™, TX CONNECT®, ARE TRADEMARKS OF TRAXON TECHNOLOGIES. U.S. PATENTS, E.U. PATENTS, JAPAN PATENTS, OTHER PATENTS PENDING. SPECIFICATIONS ARE SUBJECT TO CHANGE WITHOUT NOTICE.

Source Specifications

Optics 5°

Candela Distribution



Light Output

Color	Luminous Flux (lm)	Candela Distribution at 100%	Efficacy (lm/W)
50W			
DW (full-on)	3590	225224	82
WW (on)	1550	107047	64
CW (on)	2082	134897	89
100W			
DW (full-on)	7181	450449	82
WW (on)	3099	214094	64
CW (on)	4165	269794	89
150W			
DW (full-on)	10771	675673	82
WW (on)	4649	321141	64
CW (on)	6247	404692	89
200W			
DW (full-on)	14361	900897	82
WW (on)	6198	428188	64
CW (on)	8329	539589	89

Illuminance at a Distance

	Center beam Lux/klm	Beam width (m) H
10m	741	0.80m
20m	185	1.61m
30m	82	2.41m
40m	46	3.21m
50m	30	4.02m
60m	21	4.82m
70m	15	5.62m

● Horiz. Spread: 5.0°

For fc divide by 10.7

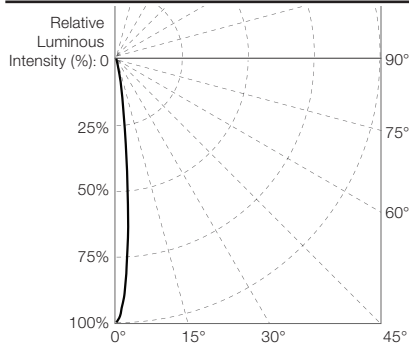
For feet multiply by 3.28

IES and LDT files are available for download from the Traxon website.

Source Specifications

Optics	10°
--------	-----

Candela Distribution



Light Output

Color	Luminous Flux (lm)	Candela Distribution at 100%	Efficacy (lm/W)
50W			
DW (full-on)	3197	77406	73
WW (on)	1377	34399	57
CW (on)	1874	44315	79
100W			
DW (full-on)	6394	154812	73
WW (on)	2755	68797	57
CW (on)	3748	88631	79
150W			
DW (full-on)	9591	232218	73
WW (on)	4132	103196	57
CW (on)	5622	132946	79
200W			
DW (full-on)	12788	309623	73
WW (on)	5509	137594	57
CW (on)	7496	177261	79

Illuminance at a Distance

	Center beam Lux/klm	Beam width (m) H
10m	249	1.71m
20m	62	3.43m
30m	28	5.14m
40m	16	6.86m
50m	10	8.57m
60m	7	10.29m

● Horiz. Spread: 10.0°

For feet multiply by 3.28

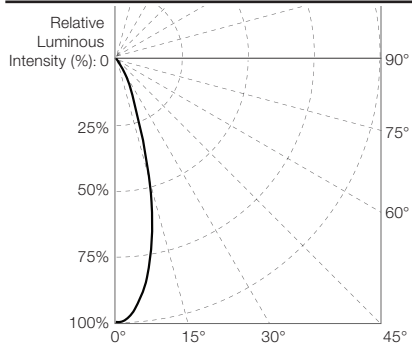
For fc divide by 10.7

IES and LDT files are available for download from the Traxon website.

Source Specifications

Optics 30°

Candela Distribution



Light Output

Color	Luminous Flux (lm)	Candela Distribution at 100%	Efficacy (lm/W)
50W			
DW (full-on)	3195	10449	73
WW (on)	1379	4510	57
CW (on)	1853	6060	79
100W			
DW (full-on)	6391	20898	73
WW (on)	2758	9020	57
CW (on)	3707	12121	79
150W			
DW (full-on)	9586	31347	73
WW (on)	4137	13529	57
CW (on)	5560	18181	79
200W			
DW (full-on)	12782	41796	73
WW (on)	5517	18039	57
CW (on)	7413	24241	79

Illuminance at a Distance

	Center beam Lux/klm	Beam width (m) H
9m	40	4.72m
18m	10	9.44m
27m	4	14.17m
36m	3	18.89m
45m	2	23.61m

● Horiz. Spread: 29.4°

For feet multiply by 3.28

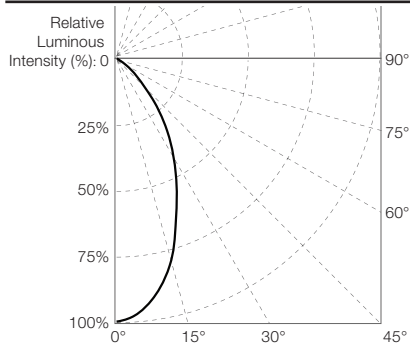
For fc divide by 10.7

IES and LDT files are available for download from the Traxon website.

Source Specifications

Optics 55°

Candela Distribution



Light Output

Color	Luminous Flux (lm)	Candela Distribution at 100%	Efficacy (lm/W)
50W			
DW (full-on)	3195	3483	73
WW (on)	1379	1503	57
CW (on)	1853	2020	79
100W			
DW (full-on)	6391	6966	73
WW (on)	2758	3007	57
CW (on)	3707	4040	79
150W			
DW (full-on)	9586	10449	73
WW (on)	4137	4510	57
CW (on)	5560	6060	79
200W			
DW (full-on)	12782	13932	73
WW (on)	5517	6013	57
CW (on)	7413	8080	79

Illuminance at a Distance

	Center beam Lux/klm	Beam width (m) H
4m	68	3.97m
8m	17	7.94m
12m	8	11.91m
16m	4	15.88m
20m	3	19.86m
24m	2	23.83m

● Horiz. Spread: 52.8°

For fc divide by 10.7

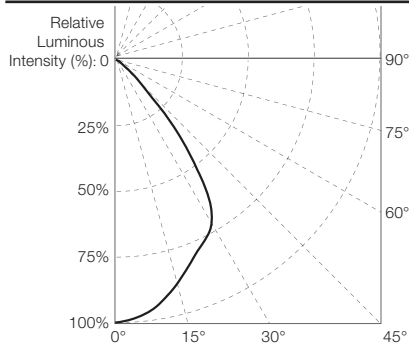
For feet multiply by 3.28

IES and LDT files are available for download from the Traxon website.

Source Specifications

Optics 80°

Candela Distribution



Light Output

Color	Luminous Flux (lm)	Candela Distribution at 100%	Efficacy (lm/W)
50W			
DW (full-on)	3088	2347	70
WW (on)	1333	1013	55
CW (on)	1791	1361	76
100W			
DW (full-on)	6175	4693	70
WW (on)	2665	2026	55
CW (on)	3582	2722	76
150W			
DW (full-on)	9263	7040	70
WW (on)	3998	3038	55
CW (on)	5372	4083	76
200W			
DW (full-on)	12351	9387	70
WW (on)	5331	4051	55
CW (on)	7163	5444	76

Illuminance at a Distance

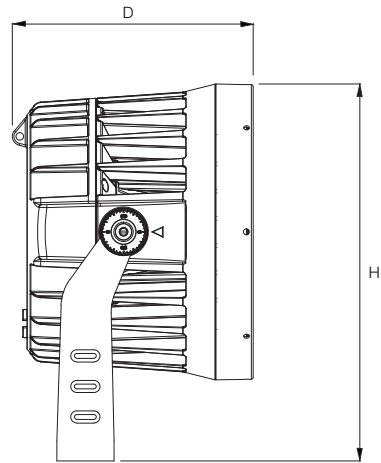
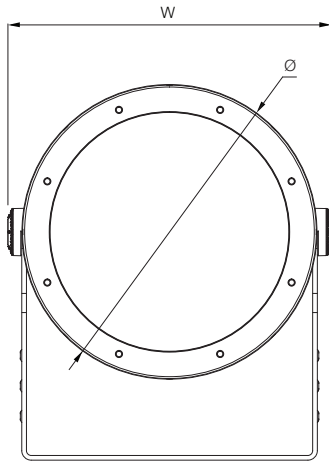
	Center beam Lux/klm	Beam width (m) H
2m	192	3.04m
4m	48	6.07m
6m	21	9.11m
8m	12	12.14m
10m	8	15.18m
12m	5	18.22m

● Horiz. Spread: 74.4°

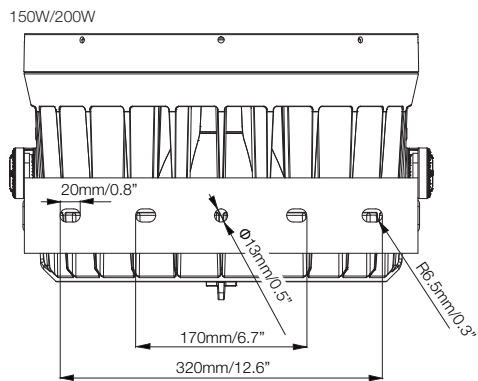
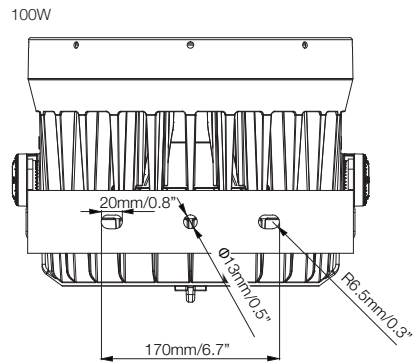
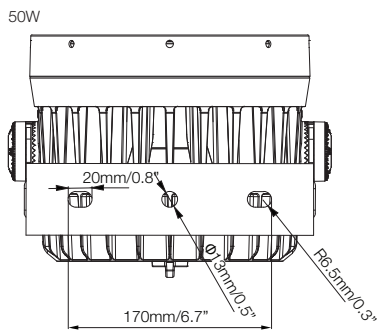
For fc divide by 10.7

For feet multiply by 3.28

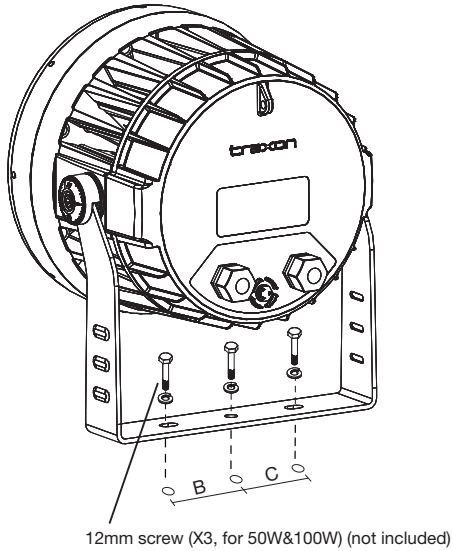
IES and LDT files are available for download from the Traxon website.



	50W	100W	150W/200W
Ø	235mm/9.3"	310mm/12.2"	392mm/15.4"
W	270mm/10.6"	340mm/13.4"	420mm/16.5"
H	317mm/12.5"	395mm/15.6"	476mm/18.7"
D	203mm/8.0"	252mm/9.9"	264mm/10.4"

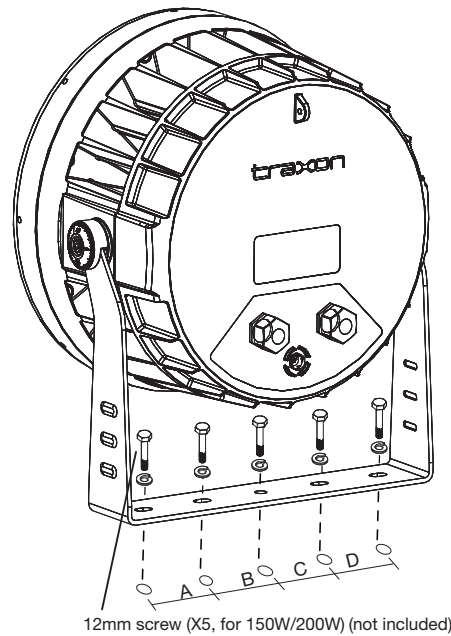


50W&100W



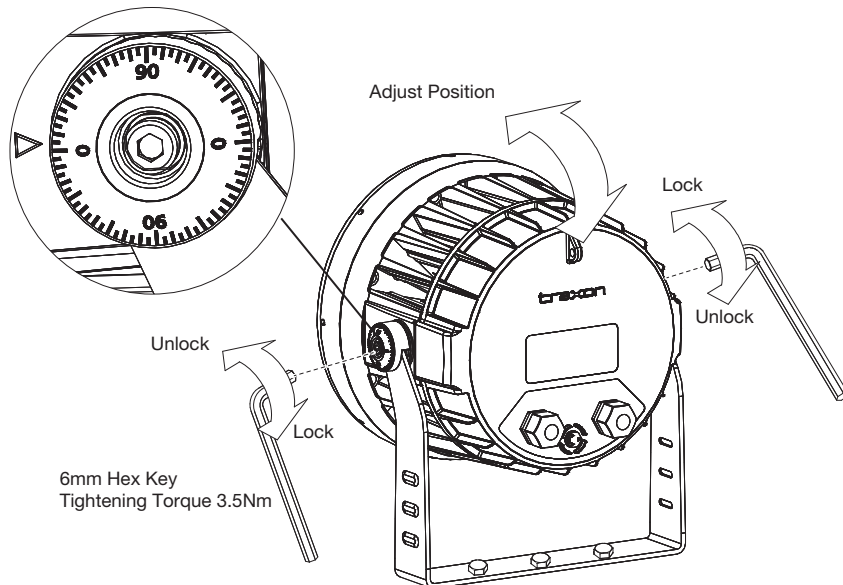
12mm screw (X3, for 50W&100W) (not included)

150W&200W



12mm screw (X5, for 150W/200W) (not included)

Dimension	A	B	C	D
50W		75mm/2.95"	75mm/2.95"	
100W		75mm/2.95"	75mm/2.95"	
150W	75mm/2.95"	75mm/2.95"	75mm/2.95"	75mm/2.95"
200W	75mm/2.95"	75mm/2.95"	75mm/2.95"	75mm/2.95"

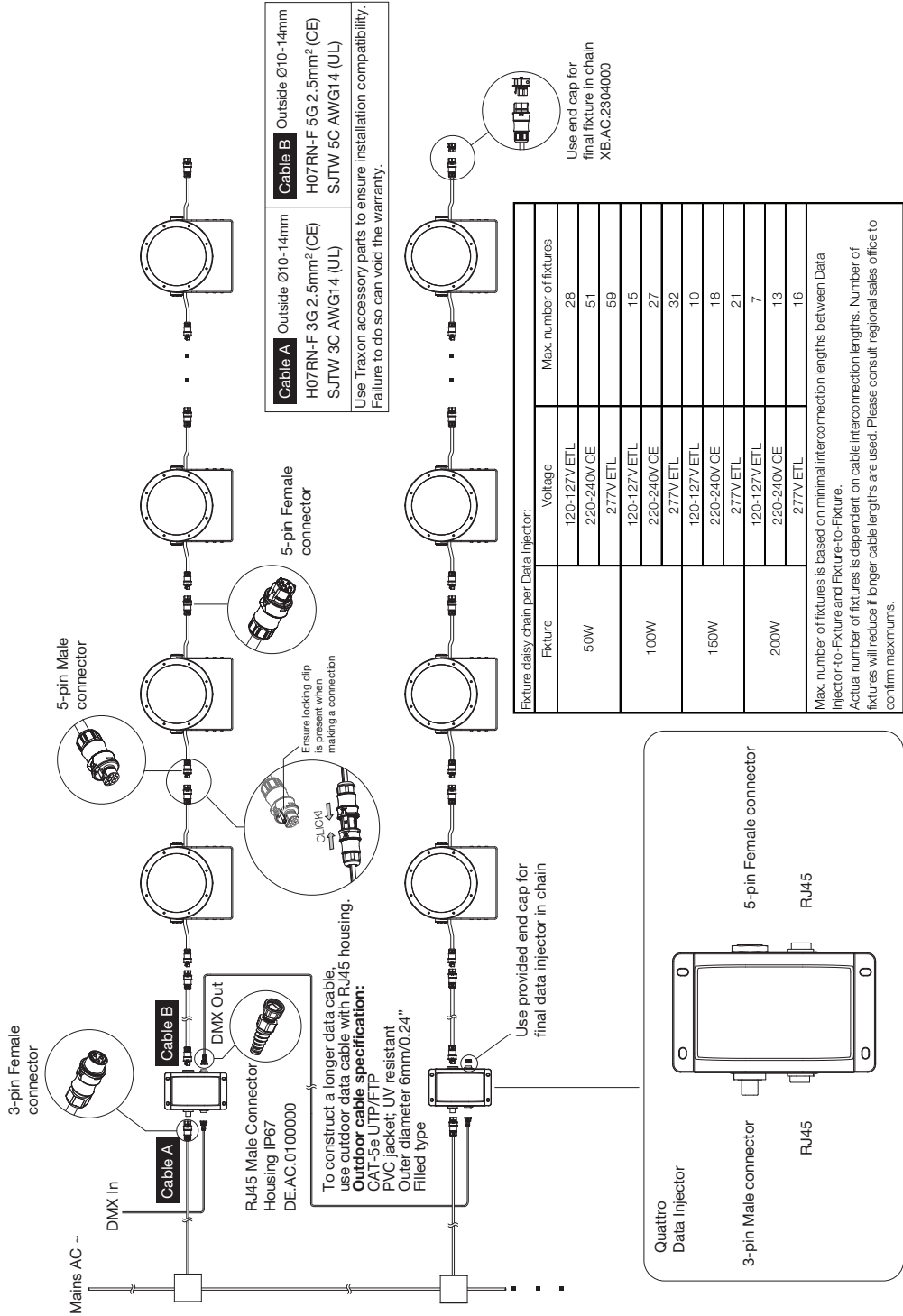


⚠ Only turn enough to unlock
Do not unscrew the hex screw from fixture

⚠ 1. Tilt the head slightly to mount the bracket.
Only turn enough to unlock.
2. Do not unscrew the hex screw from fixture.

www.traxontechnologies.com | www.osram.us/traxon

©2020 TRAXON TECHNOLOGIES - AN OSRAM BUSINESS. ALL RIGHTS RESERVED. TRAXON™, TX CONNECT®, ARE TRADEMARKS OF TRAXON TECHNOLOGIES. U.S. PATENTS, E.U. PATENTS, JAPAN PATENTS, OTHER PATENTS PENDING. SPECIFICATIONS ARE SUBJECT TO CHANGE WITHOUT NOTICE.



Luminaire CE Models

Model No.	Description	Item Code
XB.W6.8380120	ALLEGRO WASHER AC 50W DW 5deg CE 220-240V AC	AM328650055
XB.W7.8380120	ALLEGRO WASHER AC 100W DW 5deg CE 220-240V AC	AM328660055
XB.W8.8380120	ALLEGRO WASHER AC 150W DW 5deg CE 220-240V AC	AM328670055
XB.W9.8380120	ALLEGRO WASHER AC 200W DW 5deg CE 220-240V AC	AM328680055

Field-Installable Spread Lens

Model No.	Description	Item Code
N/A	ALLEGRO WASHER 10X10deg SPREAD LENS for 50W	AM331630055
N/A	ALLEGRO WASHER 30X30deg SPREAD LENS for 50W	AM331640055
N/A	ALLEGRO WASHER 55X55deg SPREAD LENS for 50W	AM331650055
N/A	ALLEGRO WASHER 80X80deg SPREAD LENS for 50W	AM331660055
N/A	ALLEGRO WASHER 60X10deg SPREAD LENS for 50W	AM331680055
N/A	ALLEGRO WASHER 60X30deg SPREAD LENS for 50W	AM331690055
N/A	ALLEGRO WASHER 10X10deg SPREAD LENS for 100W	AM331700055
N/A	ALLEGRO WASHER 30X30deg SPREAD LENS for 100W	AM331710055
N/A	ALLEGRO WASHER 55X55deg SPREAD LENS for 100W	AM331720055
N/A	ALLEGRO WASHER 80X80deg SPREAD LENS for 100W	AM331780055
N/A	ALLEGRO WASHER 60X10deg SPREAD LENS for 100W	AM331790055
N/A	ALLEGRO WASHER 60X30deg SPREAD LENS for 100W	AM331800055
N/A	ALLEGRO WASHER 10X10deg SPREAD LENS for 150W/200W	AM331820055
N/A	ALLEGRO WASHER 30X30deg SPREAD LENS for 150W/200W	AM331830055
N/A	ALLEGRO WASHER 55X55deg SPREAD LENS for 150W/200W	AM331840055
N/A	ALLEGRO WASHER 80X80deg SPREAD LENS for 150W/200W	AM331850055
N/A	ALLEGRO WASHER 60X10deg SPREAD LENS for 150W/200W	AM331860055
N/A	ALLEGRO WASHER 60X30deg SPREAD LENS for 150W/200W	AM331870055

CE Accessories

Model No.	Description	Item Code
XB.AC.4000000	QUATTRO AC XB DATA INJECTOR 100-277V ETL/CE	AB389160055
XE.ID.0204000	AC XB Interconnection Cable, 5-wire, 2.5mm ² , CE (2m)	AB389130055
XE.ID.0074000	AC XB Interconnection Cable, 5-wire, 2.5mm ² , CE (0.7m)	AB389100055
XE.IF.0104000	AC XB Power Cable, 3-wire, 2.5mm ² , CE (1m)	AB389060055
XB.AC.4006000	3-pin Field Installable AC Connector Socket IP66	AB389040035
XB.AC.2302000	5-pin Field Installable AC Connector Plug IP66	AA438580235
XB.AC.2303000	5-pin Field Installable AC Connector Socket IP66	AA438570235
XB.AC.2304000	5-pin Connector Socket End Cap IP66	AA508870335

Luminaire ETL Models

Model No.	Description	Item Code
XB.W6.8380110	ALLEGRO WASHER AC 50W DW 5deg ETL 120/277V AC	AM328700055
XB.W7.8380110	ALLEGRO WASHER AC 100W DW 5deg ETL 120/277V AC	AM328710055
XB.W8.8380110	ALLEGRO WASHER AC 150W DW 5deg ETL 120/277V AC	AM328720055
XB.W9.8380110	ALLEGRO WASHER AC 200W DW 5deg ETL 120/277V AC	AM328730055

Field-Installable Spread Lens

Model No.	Description	Item Code
N/A	ALLEGRO WASHER 10X10deg SPREAD LENS for 50W	AM331630055
N/A	ALLEGRO WASHER 30X30deg SPREAD LENS for 50W	AM331640055
N/A	ALLEGRO WASHER 55X55deg SPREAD LENS for 50W	AM331650055
N/A	ALLEGRO WASHER 80X80deg SPREAD LENS for 50W	AM331660055
N/A	ALLEGRO WASHER 60X10deg SPREAD LENS for 50W	AM331680055
N/A	ALLEGRO WASHER 60X30deg SPREAD LENS for 50W	AM331690055
N/A	ALLEGRO WASHER 10X10deg SPREAD LENS for 100W	AM331700055
N/A	ALLEGRO WASHER 30X30deg SPREAD LENS for 100W	AM331710055
N/A	ALLEGRO WASHER 55X55deg SPREAD LENS for 100W	AM331720055
N/A	ALLEGRO WASHER 80X80deg SPREAD LENS for 100W	AM331780055
N/A	ALLEGRO WASHER 60X10deg SPREAD LENS for 100W	AM331790055
N/A	ALLEGRO WASHER 60X30deg SPREAD LENS for 100W	AM331800055
N/A	ALLEGRO WASHER 10X10deg SPREAD LENS for 150W/200W	AM331820055
N/A	ALLEGRO WASHER 30X30deg SPREAD LENS for 150W/200W	AM331830055
N/A	ALLEGRO WASHER 55X55deg SPREAD LENS for 150W/200W	AM331840055
N/A	ALLEGRO WASHER 80X80deg SPREAD LENS for 150W/200W	AM331850055
N/A	ALLEGRO WASHER 60X10deg SPREAD LENS for 150W/200W	AM331860055
N/A	ALLEGRO WASHER 60X30deg SPREAD LENS for 150W/200W	AM331870055

ETL Accessories

Model No.	Description	Item Code
XB.AC.4000000	QUATTRO AC XB DATA INJECTOR 100-277V ETL/CE	AB389160055
XB.AC.2302000	5-pin Field Installable AC Connector Plug IP66	AA438580235
XB.AC.2303000	5-pin Field Installable AC Connector Socket IP66	AA438570235
XB.AC.3106000	3-pin Field Installable AC Connector Socket IP66	AA792890035
	XB 5C-AWG14 CABLE AC US 10M/32.8ft	AA639240054
	XB 5C-AWG14 CABLE AC US 50M/164ft	AA639250054
	XB 5C-AWG14 CABLE AC US 100M/328ft	AA569430155
	XB 3C-AWG14 CABLE AC US 10M/32.8ft	AA639270054
	XB 3C-AWG14 CABLE AC US 50M/164ft	AA639260054
	XB 3C-AWG14 CABLE AC US 100M/328ft	AA556630155
DE.AC.0100000	RJ45 Male Connector Housing IP67	AA556100155
XB.AC.2304000	5-pin Connector Socket End Cap IP66	AA508870335

Our Brands

www.traxontechnologies.com | www.osram.us/traxon

©2020 TRAXON TECHNOLOGIES - AN OSRAM BUSINESS. ALL RIGHTS RESERVED. TRAXON™, TX CONNECT®, ARE TRADEMARKS OF TRAXON TECHNOLOGIES. U.S. PATENTS, E.U. PATENTS, JAPAN PATENTS, OTHER PATENTS PENDING. SPECIFICATIONS ARE SUBJECT TO CHANGE WITHOUT NOTICE.