

Project: \_\_\_\_\_  
 Type: \_\_\_\_\_

## Allegro Washer AC RGBW



The Allegro Washer AC RGBW is an intelligent, AC line powered high brightness luminaire family. The fixture is controllable via DMX512, and features 16.7 million additive RGB colors plus white. The simplicity of the luminaire's topology means it can be simply daisy-chained to form long runs. Remote Device Management (RDM) circuits are built into each luminaire that enables extensive control and monitoring of the entire lighting installation. This product is intended for use in high-quality colored light applications.



### Product Specifications

	50W	100W	150W	200W
<b>Light Source</b>	High power LEDs			
<b>Color Range</b>	RGBW (white CCT 3000K)			
<b>Beam Angle</b>	Native 5° with field-installable spread lens 10°, 30°, 55°, 80°			
<b>Luminous Flux</b>	2221 lm	4504 lm	6756 lm	9008 lm
<b>Efficacy</b>	45-61 lm/W typ.			
<b>Lumen Maintenance</b>	L70 @25°C - 80,000hrs			
<b>Cover Lens</b>	Tempered glass cover			
<b>Housing</b>	Aluminium, powder coating			
<b>Adjustment Options</b>	135° vertical tilt; ±180° horizontal			
<b>Dimensions (Ø x H x D)</b>	Ø235 x 317 x 203mm 9.3" x 13.5" x 8.0"	Ø310 x 395 x 252mm 12.2" x 15.6" x 9.9"	Ø392 x 476 x 264mm 15.4" x 18.7" x 10.4"	
<b>Weight</b>	7.8kg/17.2lb	13.9kg/30.6lb	17.8kg/39.2lb	18kg/39.7lb
<b>Regulatory Listing &amp; Safety Approval</b>	CE, cETLus, IEC 60598-2-3, 3G ANSI C136.31 IK10	IK10	IK09	IK09
<b>Operating Temperature</b>	-30°C to +50°C / -22°F to +122°F (-20°C / -4°F starting)			
<b>Storage Temperature</b>	-40°C to +70°C / -40°F to +158°F			
<b>Environment</b>	Outdoor (IP66), suitable for coastal environments			
<b>Humidity</b>	85%, non-condensing			

### Electrical Specifications

<b>Input Voltage</b>	120V - 277V AC nominal			
<b>Power Consumption</b>	50W	100W	150W	200W
<b>Power Factor</b>	≥ 0.9			

### System Specifications

<b>Power</b>	AC line
<b>Control</b>	DMX512, Remote Device Management (RDM) DynaMood®: BinOne · BoostOne · BeamOne · AddressOne
<b>Power Supply</b>	Built-in
<b>Fixture Interconnection</b>	Refer to System Diagram

**LED CHARACTERISTICS** Because LEDs are semiconductor devices, their performances are subject to inherent variability commonly found in semiconductor industry. To improve consistency in performance across the same product, LED manufacturers "sort" LEDs into bins according to different preset parameters, such as forward driving voltage, illumination, etc. Whereas binning is a sorting function, it is not a correction process. Inherent variability in the manufacturing process results always in different binning distributions according to different production lots. Traxon uses automatically binned LEDs on its products, thereby minimizing output variations within the model range.

As with all electronic devices, LED output degrades over time – a term called lumen depreciation. This also explains why it is nearly impossible to expect photometric performances of two LED products with different service life spans to be the same. The rate of LED degrade is a complicate function of many factors such as operating efficiency, duration of continuous operation, and more significantly, environmental conditions (ambient temperature for example). If allowed working under optimal operating temperature range and with good ventilation, LED devices enjoy long service lives over conventional light sources. When using/installing LED devices, care should be taken to ensure that the devices will operate within the operating conditions specified in respective product literature.

This product contains a light source of energy efficiency class G to Regulation (EU) No 2019/2015. Lumen measurement complies with LM-79-05 standard. Lumen maintenance is calculated based on LM-80 compliant measurement.

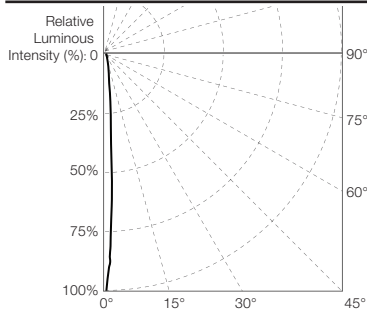
[www.traxontechnologies.com](http://www.traxontechnologies.com) | [www.osram.us/traxon](http://www.osram.us/traxon)

©2021 TRAXON TECHNOLOGIES - AN OSRAM BUSINESS. ALL RIGHTS RESERVED. TRAXON™, TX CONNECT®, ARE TRADEMARKS OF TRAXON TECHNOLOGIES. U.S. PATENTS, E.U. PATENTS, JAPAN PATENTS, OTHER PATENTS PENDING. SPECIFICATIONS ARE SUBJECT TO CHANGE WITHOUT NOTICE.

### Source Specifications

Optics 5°

### Candela Distribution

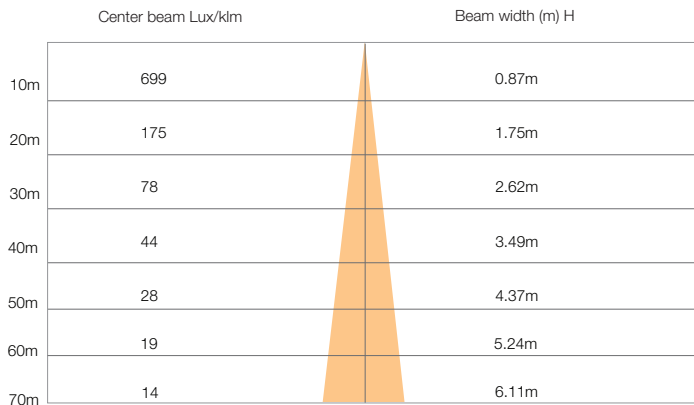


### Light Output

Color	Luminous Flux (lm)	Candela Distribution at 100%	Efficacy (lm/W)
<b>50W</b>			
White 4000K (RGBW full-on)	2221	177171	52
RGB	1641	102990	49
Red	535	34302	37
Green	1110	69040	58
Blue	22	948	4
White 3000K (RGB off)	609	77410	50
<b>100W</b>			
White 4000K (RGBW full-on)	4504	354341	61
RGB	3382	205980	60
Red	1158	68605	46
Green	2300	138081	67
Blue	50	1897	5
White 3000K (RGB off)	1282	154821	58
<b>150W</b>			
White 4000K (RGBW full-on)	6756	531512	61
RGB	5073	308970	60
Red	1737	102907	46
Green	3450	207121	67
Blue	75	2845	5
White 3000K (RGB off)	1923	232231	58
<b>200W</b>			
White 4000K (RGBW full-on)	9008	708682	61
RGB	6764	411960	60
Red	2316	137210	46
Green	4600	276162	67
Blue	100	3794	5
White 3000K (RGB off)	2564	309642	58

Luminaire setting: White-balance mode.

### Illuminance at a Distance



For fc divide by 10.7

IES and LDT files are available for download from the Traxon website.

● Horiz. Spread: 5.0°

For feet multiply by 3.28

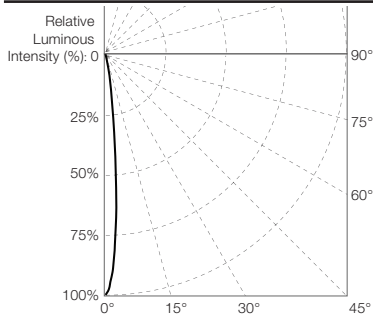
[www.traxontechnologies.com](http://www.traxontechnologies.com) | [www.osram.us/traxon](http://www.osram.us/traxon)

©2021 TRAXON TECHNOLOGIES - AN OSRAM BUSINESS. ALL RIGHTS RESERVED. TRAXON™, TX CONNECT®, ARE TRADEMARKS OF TRAXON TECHNOLOGIES. U.S. PATENTS, E.U. PATENTS, JAPAN PATENTS, OTHER PATENTS PENDING. SPECIFICATIONS ARE SUBJECT TO CHANGE WITHOUT NOTICE.

### Source Specifications

Optics 10°

### Candela Distribution



### Light Output

Color	Luminous Flux (lm)	Candela Distribution at 100%	Efficacy (lm/W)
<b>50W</b>			
White 4000K (RGBW full-on)	1977	56131	46
RGB	1460	32675	44
Red	476	10486	33
Green	988	22501	52
Blue	19	284	4
White 3000K (RGB off)	542	24362	44
<b>100W</b>			
White 4000K (RGBW full-on)	3954	112262	46
RGB	2920	65350	44
Red	952	20972	33
Green	1976	45002	52
Blue	39	567	4
White 3000K (RGB off)	1084	48724	44
<b>150W</b>			
White 4000K (RGBW full-on)	5931	168393	46
RGB	4380	98026	44
Red	1428	31457	33
Green	2965	67503	52
Blue	58	851	4
White 3000K (RGB off)	1626	73086	44
<b>200W</b>			
White 4000K (RGBW full-on)	7907	224524	46
RGB	5841	130701	44
Red	1904	41943	33
Green	3953	90004	52
Blue	77	1134	4
White 3000K (RGB off)	2168	97448	44

Luminaire setting: White-balance mode.

### Illuminance at a Distance

	Center beam Lux/klm	Beam width (m) H
10m	246	1.75m
20m	61	3.50m
30m	27	5.25m
40m	15	7.00m
50m	10	8.75m
60m	7	10.50m

● Horiz. Spread: 10.0°

For fc divide by 10.7

For feet multiply by 3.28

IES and LDT files are available for download from the Traxon website.

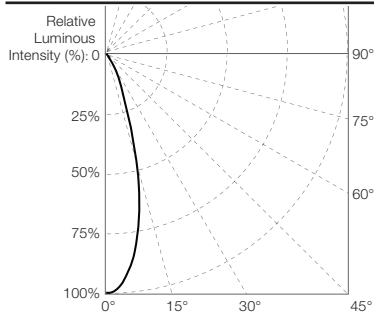
[www.traxontechnologies.com](http://www.traxontechnologies.com) | [www.osram.us/traxon](http://www.osram.us/traxon)

©2021 TRAXON TECHNOLOGIES - AN OSRAM BUSINESS. ALL RIGHTS RESERVED. TRAXON™, TX CONNECT®, ARE TRADEMARKS OF TRAXON TECHNOLOGIES. U.S. PATENTS, E.U. PATENTS, JAPAN PATENTS, OTHER PATENTS PENDING. SPECIFICATIONS ARE SUBJECT TO CHANGE WITHOUT NOTICE.

### Source Specifications

Optics 30°

### Candela Distribution



### Light Output

Color	Luminous Flux (lm)	Candela Distribution at 100%	Efficacy (lm/W)
<b>50W</b>			
White 4000K (RGBW full-on)	1977	7559	46
RGB	1460	4422	44
Red	476	1427	33
Green	988	3043	52
Blue	19	40	4
White 3000K (RGB off)	542	3242	44
<b>100W</b>			
White 4000K (RGBW full-on)	3954	15118	46
RGB	2920	8844	44
Red	952	2853	33
Green	1976	6087	52
Blue	39	79	4
White 3000K (RGB off)	1084	6485	44
<b>150W</b>			
White 4000K (RGBW full-on)	5931	22677	46
RGB	4380	13265	44
Red	1428	4280	33
Green	2965	9130	52
Blue	58	119	4
White 3000K (RGB off)	1626	9727	44
<b>200W</b>			
White 4000K (RGBW full-on)	7907	30236	46
RGB	5841	17687	44
Red	1904	5706	33
Green	3953	12174	52
Blue	77	158	4
White 3000K (RGB off)	2168	12970	44

Luminaire setting: White-balance mode.

### Illuminance at a Distance

	Center beam Lux/klm	Beam width (m) H
9m	40	4.72m
18m	10	9.44m
27m	4	14.17m
36m	2	18.89m
45m	2	23.61m

● Horiz. Spread: 29.4°

For fc divide by 10.7

For feet multiply by 3.28

IES and LDT files are available for download from the Traxon website.

[www.traxontechnologies.com](http://www.traxontechnologies.com) | [www.osram.us/traxon](http://www.osram.us/traxon)

©2021 TRAXON TECHNOLOGIES - AN OSRAM BUSINESS. ALL RIGHTS RESERVED. TRAXON™, TX CONNECT®, ARE TRADEMARKS OF TRAXON TECHNOLOGIES. U.S. PATENTS, E.U. PATENTS, JAPAN PATENTS, OTHER PATENTS PENDING. SPECIFICATIONS ARE SUBJECT TO CHANGE WITHOUT NOTICE.

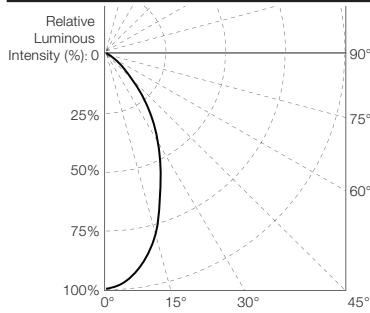
## Allegro Washer AC RGBW

## Photometrics

### Source Specifications

Optics 55°

### Candela Distribution

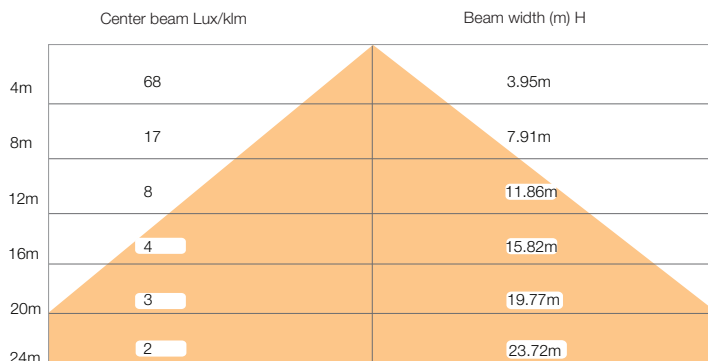


### Light Output

Color	Luminous Flux (lm)	Candela Distribution at 100%	Efficacy (lm/W)
<b>50W</b>			
White 4000K (RGBW full-on)	1977	2533	46
RGB	1460	1491	44
Red	476	480	33
Green	988	1026	52
Blue	19	13	4
White 3000K (RGB off)	542	1084	44
<b>100W</b>			
White 4000K (RGBW full-on)	3954	5067	46
RGB	2920	2983	44
Red	952	960	33
Green	1976	2052	52
Blue	39	27	4
White 3000K (RGB off)	1084	2168	44
<b>150W</b>			
White 4000K (RGBW full-on)	5931	7600	46
RGB	4380	4474	44
Red	1428	1440	33
Green	2965	3078	52
Blue	58	40	4
White 3000K (RGB off)	1626	3252	44
<b>200W</b>			
White 4000K (RGBW full-on)	7907	10134	46
RGB	5841	5965	44
Red	1904	1920	33
Green	3953	4104	52
Blue	77	54	4
White 3000K (RGB off)	2168	4336	44

Luminaire setting: White-balance mode.

### Illuminance at a Distance



Horiz. Spread: 52.6°

For fc divide by 10.7

For feet multiply by 3.28

IES and LDT files are available for download from the Traxon website.

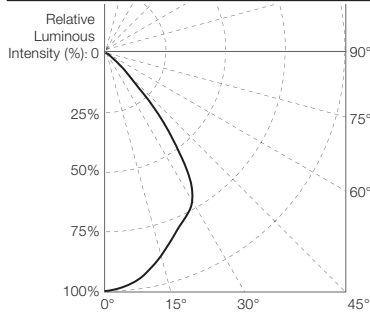
[www.traxontechnologies.com](http://www.traxontechnologies.com) | [www.osram.us/traxon](http://www.osram.us/traxon)

©2021 TRAXON TECHNOLOGIES - AN OSRAM BUSINESS. ALL RIGHTS RESERVED. TRAXON™, TX CONNECT®, ARE TRADEMARKS OF TRAXON TECHNOLOGIES. U.S. PATENTS, E.U. PATENTS, JAPAN PATENTS, OTHER PATENTS PENDING. SPECIFICATIONS ARE SUBJECT TO CHANGE WITHOUT NOTICE.

### Source Specifications

Optics 80°

### Candela Distribution



### Light Output

Color	Luminous Flux (lm)	Candela Distribution at 100%	Efficacy (lm/W)
<b>50W</b>			
White 4000K (RGBW full-on)	1910	1729	45
RGB	1411	1019	42
Red	460	324	32
Green	955	705	50
Blue	19	9	4
White 3000K (RGB off)	524	743	43
<b>100W</b>			
White 4000K (RGBW full-on)	3820	3458	45
RGB	2822	2039	42
Red	920	648	32
Green	1910	1410	50
Blue	37	18	4
White 3000K (RGB off)	1047	1487	43
<b>150W</b>			
White 4000K (RGBW full-on)	5731	5187	45
RGB	4233	3058	42
Red	1380	972	32
Green	2865	2116	50
Blue	56	27	4
White 3000K (RGB off)	1571	2230	43
<b>200W</b>			
White 4000K (RGBW full-on)	7641	6916	45
RGB	5644	4078	42
Red	1840	1296	32
Green	3819	2821	50
Blue	75	36	4
White 3000K (RGB off)	2095	2973	43

Luminaire setting: White-balance mode.

### Illuminance at a Distance

Height (m)	Center beam Lux/klm	Beam width (m) H
2m	192	3.04m
4m	48	6.07m
6m	21	9.11m
8m	12	12.14m
10m	8	15.18m
12m	5	18.22m

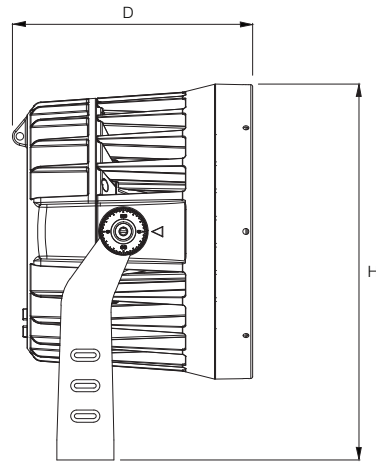
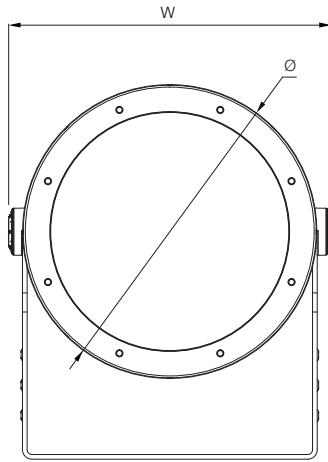
● Horiz. Spread: 74.4°  
For feet multiply by 3.28

For fc divide by 10.7

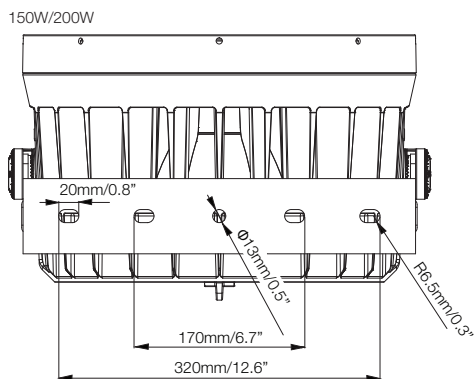
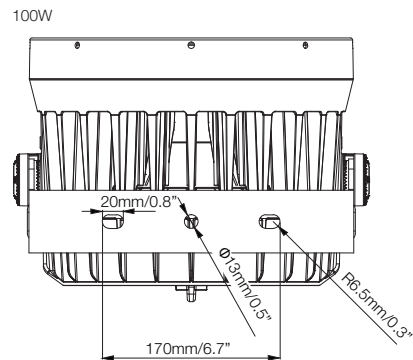
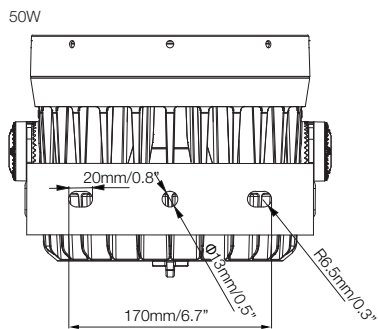
IES and LDT files are available for download from the Traxon website.

[www.traxontechnologies.com](http://www.traxontechnologies.com) | [www.osram.us/traxon](http://www.osram.us/traxon)

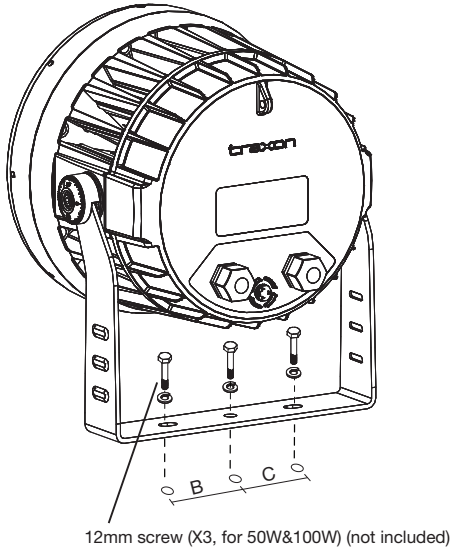
©2021 TRAXON TECHNOLOGIES - AN OSRAM BUSINESS. ALL RIGHTS RESERVED. TRAXON™, TX CONNECT®, ARE TRADEMARKS OF TRAXON TECHNOLOGIES. U.S. PATENTS, E.U. PATENTS, JAPAN PATENTS, OTHER PATENTS PENDING. SPECIFICATIONS ARE SUBJECT TO CHANGE WITHOUT NOTICE.



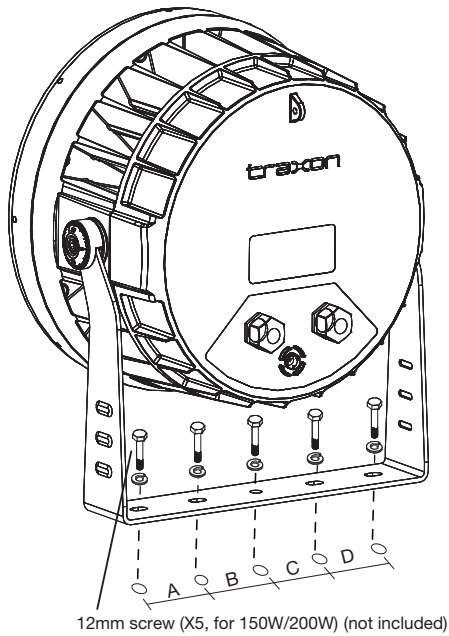
	50W	100W	150W/200W
Ø	235mm/9.3"	310mm/12.2"	392mm/15.4"
W	270mm/10.6"	340mm/13.4"	420mm/16.5"
H	317mm/12.5"	395mm/15.6"	476mm/18.7"
D	203mm/8.0"	252mm/9.9"	264mm/10.4"



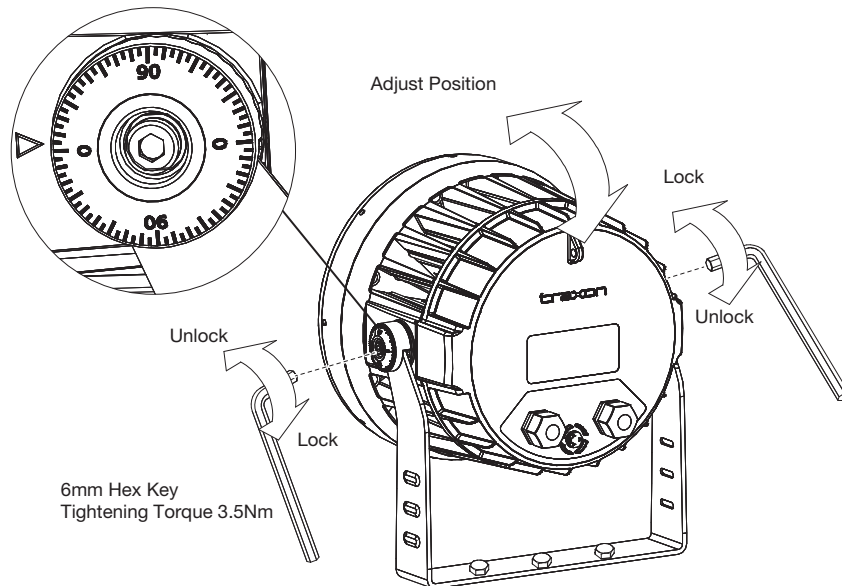
50W&100W



150W&200W



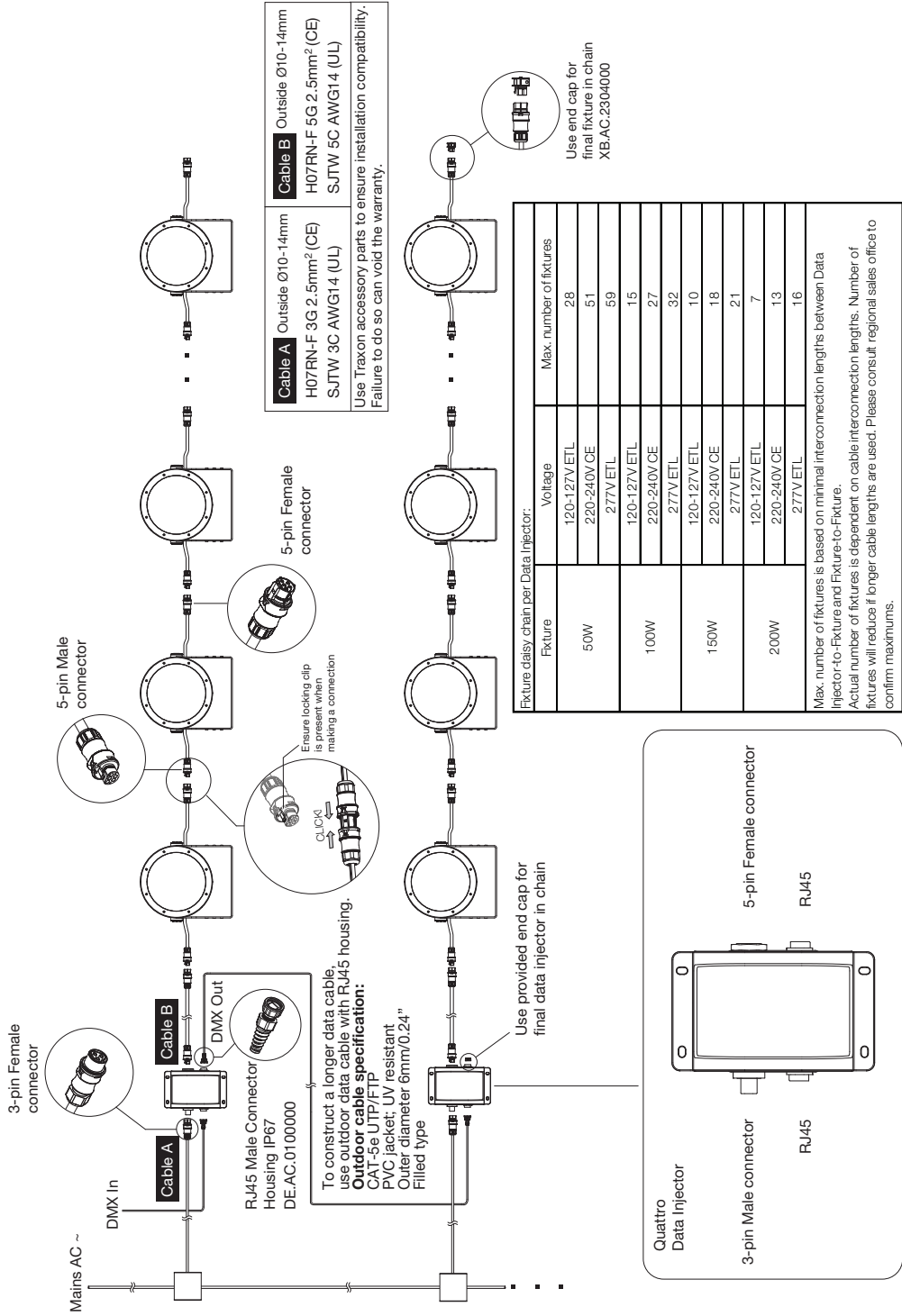
Dimension	A	B	C	D
50W		75mm/2.95"	75mm/2.95"	
100W		75mm/2.95"	75mm/2.95"	
150W	75mm/2.95"	75mm/2.95"	75mm/2.95"	75mm/2.95"
200W	75mm/2.95"	75mm/2.95"	75mm/2.95"	75mm/2.95"



⚠ Only turn enough to unlock  
Do not unscrew the hex screw from fixture

⚠ 1. Tilt the head slightly to mount the bracket.  
Only turn enough to unlock.  
2. Do not unscrew the hex screw from fixture.





## Allegro Washer AC RGBW

Ordering

### Luminaire CE Models

Model No.	Description	Item Code
XB.W6.8300120	ALLEGRO WASHER AC 50W RGBW 5deg CE 220-240V AC	AM321410055
XB.W7.8300120	ALLEGRO WASHER AC 100W RGBW 5deg CE 220-240V AC	AM321450055
XB.W8.8300120	ALLEGRO WASHER AC 150W RGBW 5deg CE 220-240V AC	AM321460055
XB.W9.8300120	ALLEGRO WASHER AC 200W RGBW 5deg CE 220-240V AC	AM321470055

### Field-Installable Spread Lens

Model No.	Description	Item Code
N/A	ALLEGRO WASHER 10X10deg SPREAD LENS for 50W	AM331630055
N/A	ALLEGRO WASHER 30X30deg SPREAD LENS for 50W	AM331640055
N/A	ALLEGRO WASHER 55X55deg SPREAD LENS for 50W	AM331650055
N/A	ALLEGRO WASHER 80X80deg SPREAD LENS for 50W	AM331660055
N/A	ALLEGRO WASHER 60X10deg SPREAD LENS for 50W	AM331680055
N/A	ALLEGRO WASHER 60X30deg SPREAD LENS for 50W	AM331690055
N/A	ALLEGRO WASHER 10X10deg SPREAD LENS for 100W	AM331700055
N/A	ALLEGRO WASHER 30X30deg SPREAD LENS for 100W	AM331710055
N/A	ALLEGRO WASHER 55X55deg SPREAD LENS for 100W	AM331720055
N/A	ALLEGRO WASHER 80X80deg SPREAD LENS for 100W	AM331780055
N/A	ALLEGRO WASHER 60X10deg SPREAD LENS for 100W	AM331790055
N/A	ALLEGRO WASHER 60X30deg SPREAD LENS for 100W	AM331800055
N/A	ALLEGRO WASHER 10X10deg SPREAD LENS for 150W/200W	AM331820055
N/A	ALLEGRO WASHER 30X30deg SPREAD LENS for 150W/200W	AM331830055
N/A	ALLEGRO WASHER 55X55deg SPREAD LENS for 150W/200W	AM331840055
N/A	ALLEGRO WASHER 80X80deg SPREAD LENS for 150W/200W	AM331850055
N/A	ALLEGRO WASHER 60X10deg SPREAD LENS for 150W/200W	AM331860055
N/A	ALLEGRO WASHER 60X30deg SPREAD LENS for 150W/200W	AM331870055

### CE Accessories

Model No.	Description	Item Code
XB.AC.4000000	QUATTRO AC XB DATA INJECTOR 100-277V ETL/CE	AB389160055
XE.ID.0204000	AC XB Interconnection Cable, 5-wire, 2.5mm <sup>2</sup> , CE (2m)	AB389130055
XE.ID.0074000	AC XB Interconnection Cable, 5-wire, 2.5mm <sup>2</sup> , CE (0.7m)	AB389100055
XE.IF.0104000	AC XB Power Cable, 3-wire, 2.5mm <sup>2</sup> , CE (1m)	AB389060055
XB.AC.4006000	3-pin Field Installable AC Connector Socket IP66	AB389040035
XB.AC.2302000	5-pin Field Installable AC Connector Plug IP66	AA438580235
XB.AC.2303000	5-pin Field Installable AC Connector Socket IP66	AA438570235
XB.AC.2304000	5-pin Connector Socket End Cap IP66	AA508870335

### Luminaire ETL Models

Model No.	Description	Item Code
XB.W6.8300110	ALLEGRO WASHER AC 50W RGBW 5deg ETL 120/277V AC	AM321480055
XB.W7.8300110	ALLEGRO WASHER AC 100W RGBW 5deg ETL 120/277V AC	AM321490055
XB.W8.8300110	ALLEGRO WASHER AC 150W RGBW 5deg ETL 120/277V AC	AM321500055
XB.W9.8300110	ALLEGRO WASHER AC 200W RGBW 5deg ETL 120/277V AC	AM321510055

### Field-Installable Spread Lens

Model No.	Description	Item Code
N/A	ALLEGRO WASHER 10X10deg SPREAD LENS for 50W	AM331630055
N/A	ALLEGRO WASHER 30X30deg SPREAD LENS for 50W	AM331640055
N/A	ALLEGRO WASHER 55X55deg SPREAD LENS for 50W	AM331650055
N/A	ALLEGRO WASHER 80X80deg SPREAD LENS for 50W	AM331660055
N/A	ALLEGRO WASHER 60X10deg SPREAD LENS for 50W	AM331680055
N/A	ALLEGRO WASHER 60X30deg SPREAD LENS for 50W	AM331690055
N/A	ALLEGRO WASHER 10X10deg SPREAD LENS for 100W	AM331700055
N/A	ALLEGRO WASHER 30X30deg SPREAD LENS for 100W	AM331710055
N/A	ALLEGRO WASHER 55X55deg SPREAD LENS for 100W	AM331720055
N/A	ALLEGRO WASHER 80X80deg SPREAD LENS for 100W	AM331780055
N/A	ALLEGRO WASHER 60X10deg SPREAD LENS for 100W	AM331790055
N/A	ALLEGRO WASHER 60X30deg SPREAD LENS for 100W	AM331800055
N/A	ALLEGRO WASHER 10X10deg SPREAD LENS for 150W/200W	AM331820055
N/A	ALLEGRO WASHER 30X30deg SPREAD LENS for 150W/200W	AM331830055
N/A	ALLEGRO WASHER 55X55deg SPREAD LENS for 150W/200W	AM331840055
N/A	ALLEGRO WASHER 80X80deg SPREAD LENS for 150W/200W	AM331850055
N/A	ALLEGRO WASHER 60X10deg SPREAD LENS for 150W/200W	AM331860055
N/A	ALLEGRO WASHER 60X30deg SPREAD LENS for 150W/200W	AM331870055

### ETL Accessories

Model No.	Description	Item Code
XB.AC.4000000	QUATTRO AC XB DATA INJECTOR 100-277V ETL/CE	AB389160055
XB.AC.2302000	5-pin Field Installable AC Connector Plug IP66	AA438580235
XB.AC.2303000	5-pin Field Installable AC Connector Socket IP66	AA438570235
XB.AC.3106000	3-pin Field Installable AC Connector Socket IP66	AA792890035
	XB 5C-AWG14 CABLE AC US 10M/32.8ft	AA639240054
	XB 5C-AWG14 CABLE AC US 50M/164ft	AA639250054
	XB 5C-AWG14 CABLE AC US 100M/328ft	AA569430155
	XB 3C-AWG14 CABLE AC US 10M/32.8ft	AA639270054
	XB 3C-AWG14 CABLE AC US 50M/164ft	AA639260054
	XB 3C-AWG14 CABLE AC US 100M/328ft	AA556630155
DE.AC.0100000	RJ45 Male Connector Housing IP67	AA556100155
XB.AC.2304000	5-pin Connector Socket End Cap IP66	AA508870335

### Our Brands

traxon **et:cue**

[www.traxontechnologies.com](http://www.traxontechnologies.com) | [www.osram.us/traxon](http://www.osram.us/traxon)

©2020 TRAXON TECHNOLOGIES - AN OSRAM BUSINESS. ALL RIGHTS RESERVED. TRAXON™, TX CONNECT®, ARE TRADEMARKS OF TRAXON TECHNOLOGIES. U.S. PATENTS, E.U. PATENTS, JAPAN PATENTS, OTHER PATENTS PENDING. SPECIFICATIONS ARE SUBJECT TO CHANGE WITHOUT NOTICE.