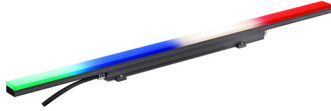


Date: _____ Quantity: _____

Company: _____

Project: _____



ProPoint Kontour Wide RGB

Traxon Kontour is an AC line powered exterior luminaire used to distinguish facades, walls, and architectural borders with a concentrated, even radiance. ProPoint Kontour's compact, lowprofile design is available in four lengths, two widths and is combined with a clip mounting system for efficient installation.



Product Specifications

	300mm	600mm	1200mm	2400mm
Model	Kontour Wide			
Light Source	16.7 million additive RGB colors			
LED Quantity	RGB x 30pcs	RGB x 60pcs	RGB x 120pcs	RGB x 240pcs
Beam Angle	120°			
Luminous Flux	98 lm	197 lm	365 lm	795 lm
Efficacy	19 lm/W			
Lumen Maintenance	L70 @25°C -81,000hrs			
Cover Lens	Diffused UV stable acrylic			
Housing	Extruded Aluminum			
Housing Finish Options	Gray (RAL7015), Black (RAL9005), White (RAL9003)			
Mounting	Low Profile Mounting Brackets (x2 per length)			
Dimensions (L)	300mm / 11.8"	600mm / 23.6"	1200mm / 47.2"	2400mm / 94.5"
(W x H)	75mm x 66mm / 3" x 2.6"			
Weight	1.1 kg / 2.4 lbs.	1.5 kg / 3.3 lbs.	2.30 kg / 5.1 lbs.	4 kg / 8.8 lbs.
EPA (sq.ft)				
Front	0.056			
Side	0.290	0.467	0.869	1.739
Front 45°	0.2050	0.3302	0.6144	1.2295
Regulatory Listing & Safety Approval	CE, IEC 60598-2-3, 3G ANSI C136.31, IK07			
Operating Temperature	-30°C to +55°C / -22°F to +131°F			
Storage Temperature	-40°C to +80°C / -40°F to +176°F			
Environment	Outdoor (IP66), suitable for coastal environments			
Humidity	85%, non-condensing			

Electrical Specifications

Input Voltage	220-240V AC			
Power Consumption	5W	10W	20W	40W
Power Factor	≥ 0.9			

System Specifications

Control	DMX 512
Power Supply	Integral
Addressing Options	Auto-Addressed with Data Injector
Pixel Control	Standard luminaire controlled by 12" / 300mm. Factory set to other pixel configurations on request.

LED CHARACTERISTICS Because LEDs are semiconductor devices, their performances are subject to inherent variability commonly found in semiconductor industry. To improve consistency in performance across the same product, LED manufacturers "sort" LEDs into bins according to different preset parameters, such as forward driving voltage, illumination, etc. Whereas binning is a sorting function, it is not a correction process. Inherent variability in the manufacturing process results always in different binning distributions according to different production lots. Traxon uses automatically binned LEDs on its products, thereby minimizing output variations within the model range.

As with all electronic devices, LED output degrades over time – a term called lumen depreciation. This also explains why it is nearly impossible to expect photometric performances of two LED products with different service life spans to be the same. The rate of LED degrade is a complicate function of many factors such as operating efficiency, duration of continuous operation, and more significantly, environmental conditions (ambient temperature for example). If allowed working under optimal operating temperature range and with good ventilation, LED devices enjoy long service lives over conventional light sources. When using/installing LED devices, care should be taken to ensure that the devices will operate within the operating conditions specified in respective product literature.

Lumen measurement complies with LM-79-08 standard.
Lumen maintenance is calculated based on LM-80 compliant measurement.

www.traxontechnologies.com | www.osram.us/traxon

©2020 TRAXON TECHNOLOGIES - AN OSRAM BUSINESS. ALL RIGHTS RESERVED. TRAXON™, TX CONNECT® ARE TRADEMARKS OF TRAXON TECHNOLOGIES. U.S. PATENTS, E.U. PATENTS, JAPAN PATENTS, OTHER PATENTS PENDING. SPECIFICATIONS ARE SUBJECT TO CHANGE WITHOUT NOTICE.

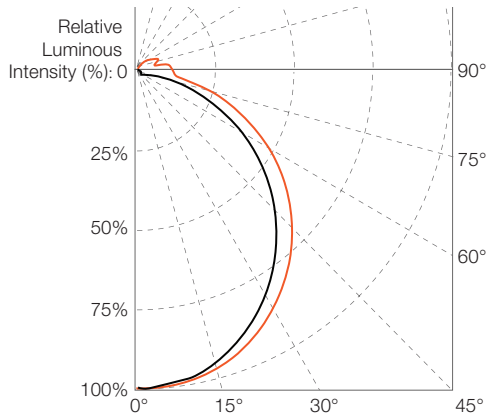
ProPoint Kontour Wide RGB

Photometrics

Source Specifications

Optics 120°

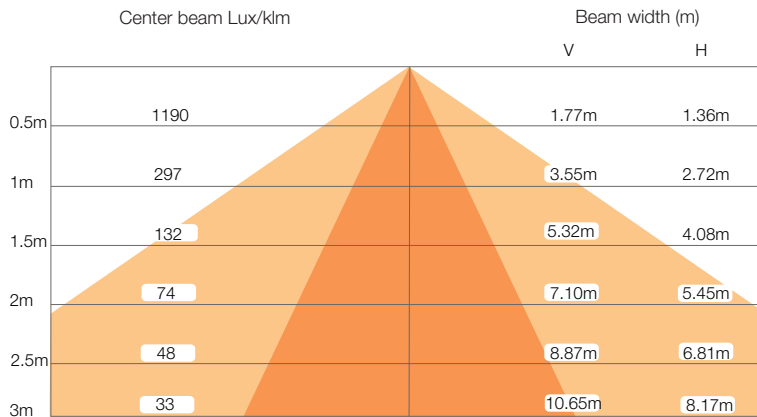
Candela Distribution



Light Output

Color	Luminous Flux (lm)	Efficacy (lm/W)
300mm		
RGB (full-on)	98.76	19.2
Red	24.897	11.7
Green	61.422	29.4
Blue	12.56	5.9
600mm		
RGB (full-on)	197.29	19.1
Red	49.765	11.7
Green	122.77	29.3
Blue	25.12	6.0
1200mm		
RGB (full-on)	365.1	17.7
Red	93.87	11.2
Green	228.4	27.2
Blue	46.03	5.5
2400mm		
RGB (full-on)	795.14	19.3
Red	199.52	11.8
Green	491.59	29.4
Blue	100.55	5.9

Illuminance at a Distance



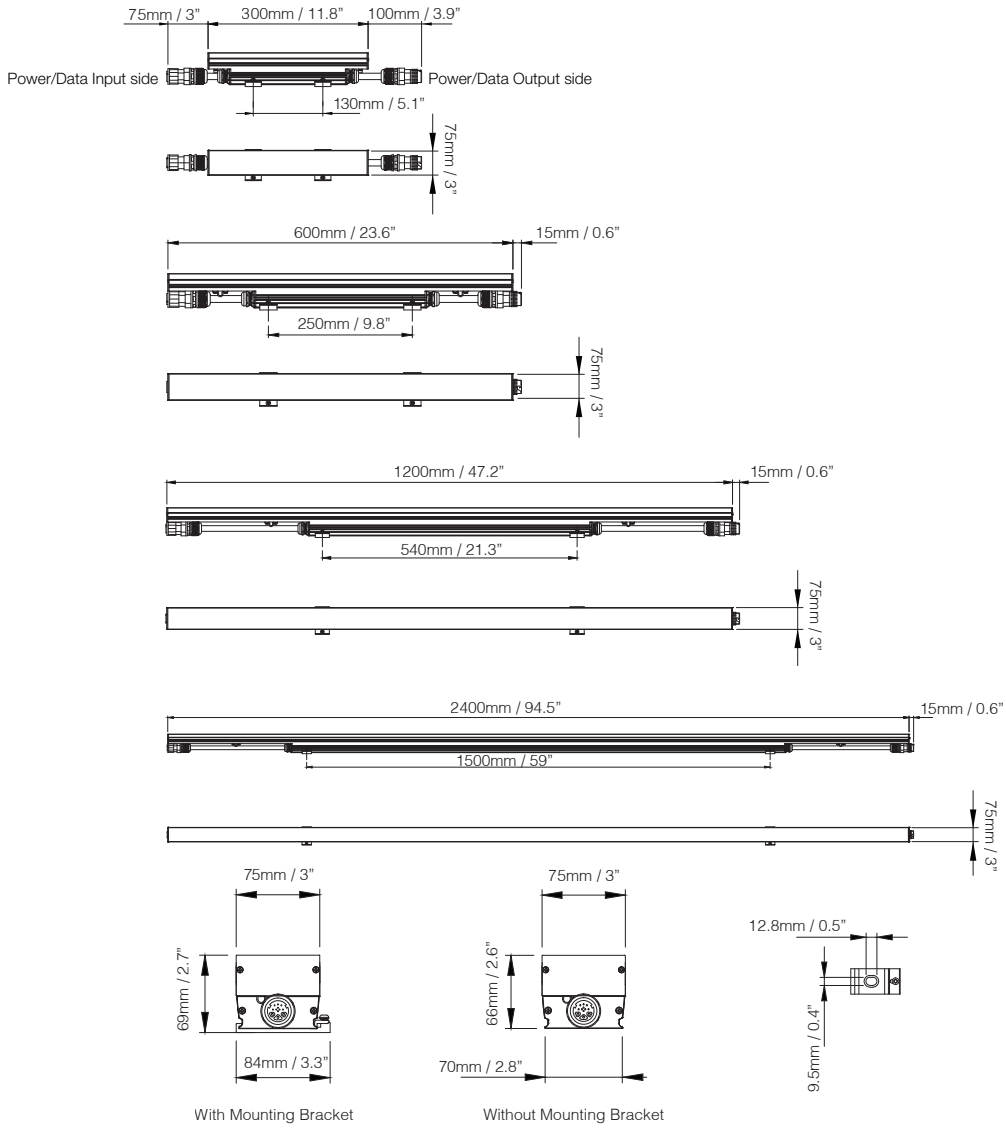
● Vert. Spread: 107.4°
 ● Horiz. Spread: 121.2°

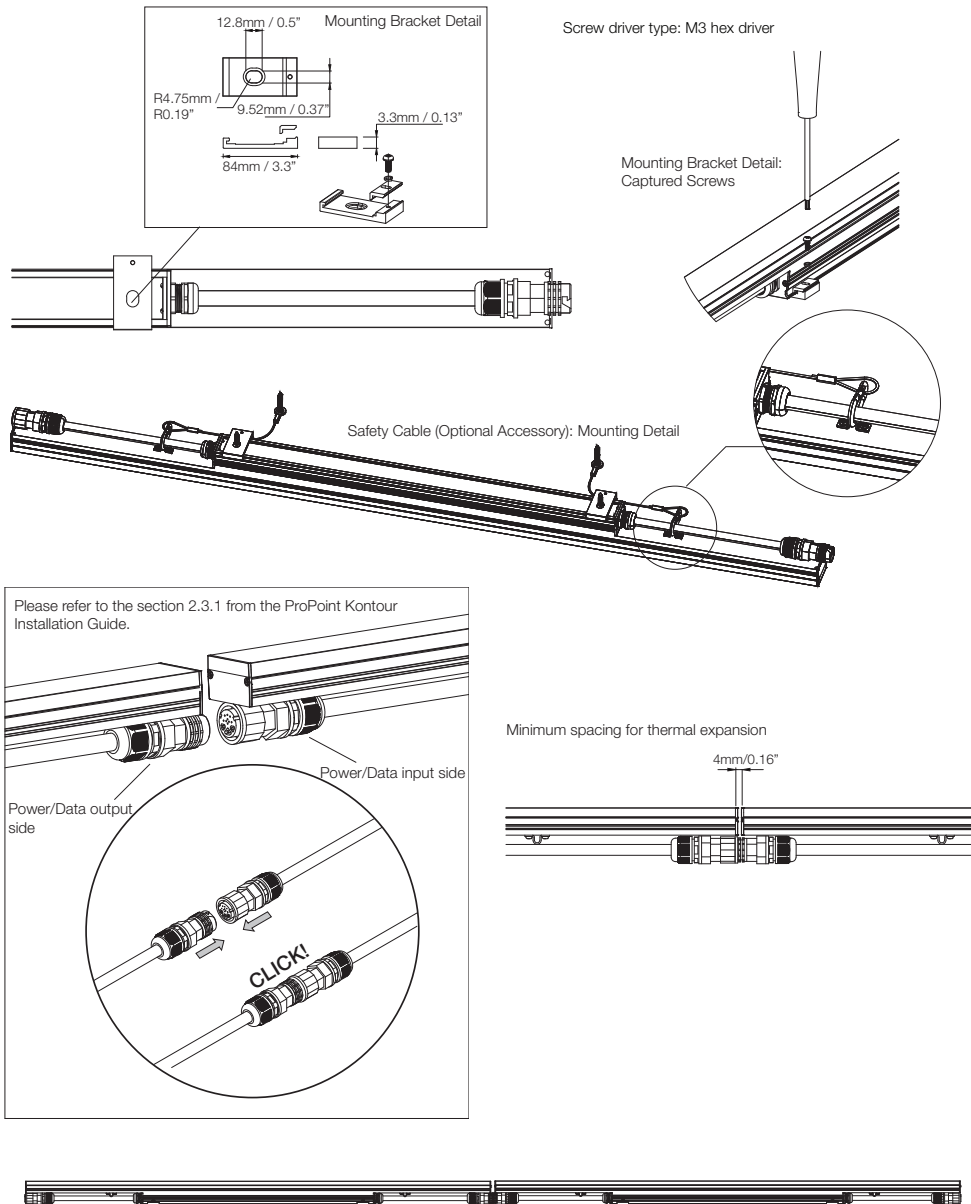
For fc divide by 10.7

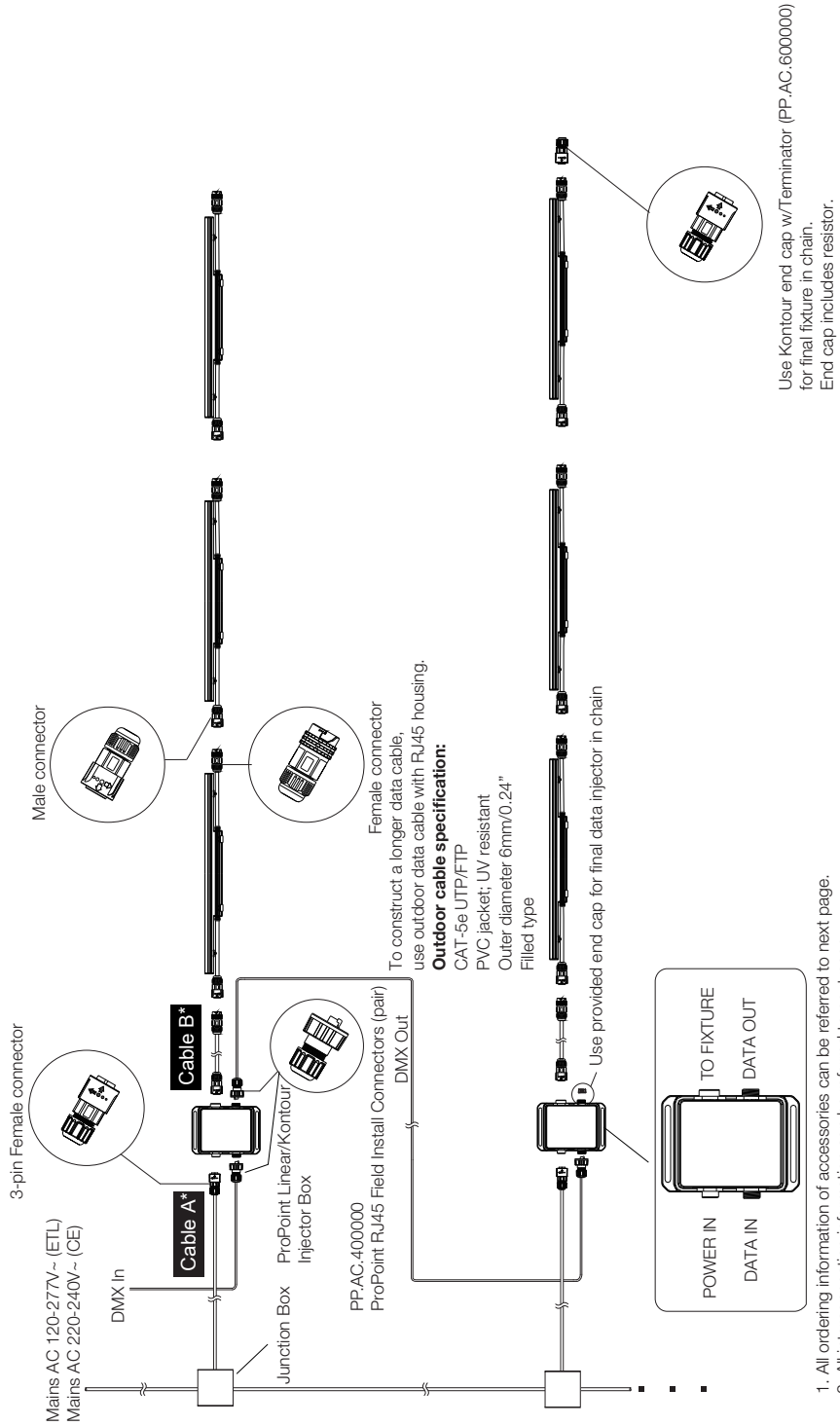
For feet multiply by 3.28

IES and LDT files are available for download from the Traxon website.

ProPoint Kontour Wide RGB Dimensions







ProPoint Kontour Wide RGB

System Diagram

Wiring Information Details

ProPoint Kontour Wide -CE

220V-240V

Model	Power Consumption (Typ.)	Input Voltage	Max Connected Chain
300mm	5W	220-240V	512
600mm	10W	220-240V	320
1200mm	20W	220-240V	150
2400mm	40W	220-240V	80

Accessories (ETL / CE)

Model No.	Description	Item Code
PP.AC.100001	PROPOINT LINEAR/KONTOUR INJECTOR BOX	AM374890055
PP.AC.100002	PROPOINT LINEAR/KONTOUR INJECTOR BOX BL	AM374900055
PP.AC.100003	PROPOINT LINEAR/KONTOUR INJECTOR BOX WT	AM374910055
PP.AC.600000	PP LIN/KON END CAP W/ TERM.	AM380550055
PP.AC.400000	PROPOINT RJ45 FIELD INSTALL CONNECTORS (PAIR)	AM380560055

Accessories (CE)

Cable Type	Model No.	Description	Item Code
Cable A*	PP.A2.303000	3M PP LINEAR POWER INPUT CABLE CE	AM374840055
Cable B*	KO.KB.610000	10M KONTOUR PWR/DATA INT CBL CE	AM357520155
Cable B*	KO.KB.601000	1M KONTOUR PWR/DATA INT CBL CE	AM357490155
Cable B*	KO.KB.602000	2M KONTOUR PWR/DATA INT CBL CE	AM357500155
Cable B*	KO.KB.603000	3M KONTOUR PWR/DATA INT CBL CE	AM357510155

* All cables come pre-wired with male / female connectors.

ProPoint Kontour Wide RGB

Ordering

Model Number

KXX	.	3	.	9	A	0	6	1	X	.	XX
Kontour Length	Width	Control	Color	CCT	Approbation	Lens	Finish	Pixel Config			
K1L: 1'	3: 75mm/3"	9: DMX	A: RGB		6: CE	1: Diffused Lens	1: Gray	01: 1PXL			
K2L: 2'							2: Black	02: 2PXL			
K4L: 4'							3: White	04: 4PXL			
K8L: 8'								08: 8PXL			

*Abbreviations in Description

WD: Wide NW: Narrow F: Flat BL: Black WT: White

Fixtures

Model No.	Description	Item Code
K1L.3.9A0611.01	PROPOINT KONTOUR F 0.3 WD RGB 1PXL CE	AM396550055
K2L.3.9A0611.01	PROPOINT KONTOUR F 0.6 WD RGB 1PXL CE	AM396570055
K2L.3.9A0611.02	PROPOINT KONTOUR F 0.6 WD RGB 2PXL CE	AM397330055
K4L.3.9A0611.01	PROPOINT KONTOUR F 1.2 WD RGB 1PXL CE	AM396590055
K4L.3.9A0611.04	PROPOINT KONTOUR F 1.2 WD RGB 4PXL CE	AM397350055
K8L.3.9A0611.01	PROPOINT KONTOUR F 2.4 WD RGB 1PXL CE	AM396610055
K8L.3.9A0611.08	PROPOINT KONTOUR F 2.4 WD RGB 8PXL CE	AM397370055
K1L.3.9A0612.01	PROPOINT KONTOUR F 0.3 WD RGB 1PXL BL CE	AM396630055
K2L.3.9A0612.01	PROPOINT KONTOUR F 0.6 WD RGB 1PXL BL CE	AM396650055
K2L.3.9A0612.02	PROPOINT KONTOUR F 0.6 WD RGB 2PXL BL CE	AM397390055
K4L.3.9A0612.01	PROPOINT KONTOUR F 1.2 WD RGB 1PXL BL CE	AM396670055
K4L.3.9A0612.04	PROPOINT KONTOUR F 1.2 WD RGB 4PXL BL CE	AM397410055
K8L.3.9A0612.01	PROPOINT KONTOUR F 2.4 WD RGB 1PXL BL CE	AM396690055
K8L.3.9A0612.08	PROPOINT KONTOUR F 2.4 WD RGB 8PXL BL CE	AM397430055
K1L.3.9A0613.01	PROPOINT KONTOUR F 0.3 WD RGB 1PXL WT CE	AM396710055
K2L.3.9A0613.01	PROPOINT KONTOUR F 0.6 WD RGB 1PXL WT CE	AM396730055
K2L.3.9A0613.02	PROPOINT KONTOUR F 0.6 WD RGB 2PXL WT CE	AM397450055
K4L.3.9A0613.01	PROPOINT KONTOUR F 1.2 WD RGB 1PXL WT CE	AM396750055
K4L.3.9A0613.04	PROPOINT KONTOUR F 1.2 WD RGB 4PXL WT CE	AM397470055
K8L.3.9A0613.01	PROPOINT KONTOUR F 2.4 WD RGB 1PXL WT CE	AM396770055
K8L.3.9A0613.08	PROPOINT KONTOUR F 2.4 WD RGB 8PXL WT CE	AM397490055

ProPoint Kontour Wide RGB

Ordering

Accessories (ETL / CE)

Model No.	Description	Item Code
PP.AC.100001	PROPOINT LINEAR/KONTOUR INJECTOR BOX	AM374890055
PP.AC.100002	PROPOINT LINEAR/KONTOUR INJECTOR BOX BL	AM374900055
PP.AC.100003	PROPOINT LINEAR/KONTOUR INJECTOR BOX WT	AM374910055
PP.AC.600000	PP LIN/KON END CAP W/ TERM.	AM380550055
PP.AC.400000	PROPOINT RJ45 FIELD INSTALL CONNECTORS (PAIR)	AM380560055

Accessories (CE)

Model No.	Description	Item Code
PP.A2.303000	3M PP LINEAR POWER INPUT CABLE CE	AM374840055
KO.KB.610000	10M KONTOUR PWR/DATA INT CBL CE	AM357520155
KO.KB.601000	1M KONTOUR PWR/DATA INT CBL CE	AM357490155
KO.KB.602000	2M KONTOUR PWR/DATA INT CBL CE	AM357500155
KO.KB.603000	3M KONTOUR PWR/DATA INT CBL CE	AM357510155

Accessories (Optional)

Model No.	Description	Item Code
KO.AA.900010	KONTOUR SAFETY CABLE 0.25M (10")	AM403000055

Our Brands

traxon **ercue**

www.traxontechnologies.com | www.osram.us/traxon

OSRAM

©2020 TRAXON TECHNOLOGIES - AN OSRAM BUSINESS. ALL RIGHTS RESERVED. TRAXON™, TX CONNECT®, ARE TRADEMARKS OF TRAXON TECHNOLOGIES. U.S. PATENTS, E.U. PATENTS, JAPAN PATENTS, OTHER PATENTS PENDING. SPECIFICATIONS ARE SUBJECT TO CHANGE WITHOUT NOTICE.