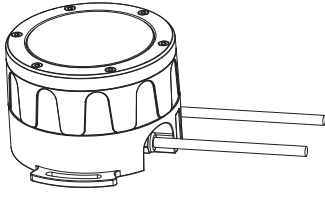
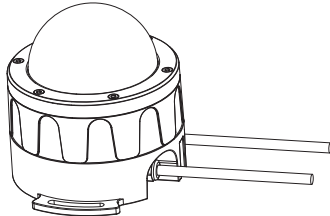


**THIS MOUNTING GUIDE APPLIES TO THE FOLLOWING PROPOINT PIXEL MODELS:**

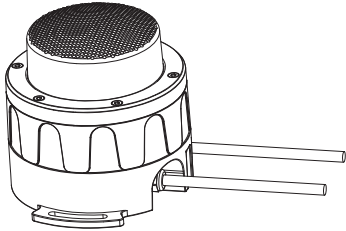
ProPoint Pixel – Flat Lens (Clear or Diffused)



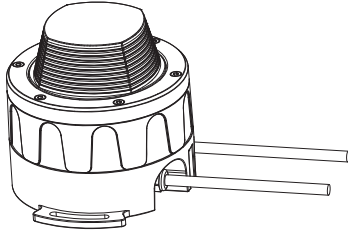
ProPoint Pixel – Dome Lens (Diffused)



ProPoint Pixel – Drum Lens (Diffused)



ProPoint Pixel – Prism Lens (Diffused)



PLEASE READ THIS MOUNTING GUIDE COMPLETELY BEFORE BEGINNING THE INSTALLATION PROCESS.

AN UPDATED INSTALL GUIDE MAY BE AVAILABLE THAT SUPERSEDES THIS VERSION. THE MOST CURRENT RELEASE MUST BE USED BY THE INSTALLER.

**For All Models:**

Weight . . . . .	1.4Kgs (3.09Lbs)
Power Consumption (Nominal) . . . . .	.20W
Power Factor . . . . .	Greater Than 0.9
Input Voltage Range . . . . .	120-277VAC 50/60HZ
Operating Temperature . . . . .	-30°C to +50°C (-22°F to 122°F)
Minimum Starting Temperature . . . . .	-20°C (-40°F)



This mounting guide uses the following special statement categories to alert you to key items:

**WARNING**

Indicates a hazardous situation that, if not avoided, could result in death or serious injury.

**CAUTION**

Indicates a hazardous situation that, if not avoided, could result in minor or moderate injury.

**NOTICE**

Indicates information considered important for the proper operation of the product but not hazard related.

Please review this manual completely prior to beginning the installation process and take note of the following:

- The ProPoint luminaire and associated accessories must be installed by a qualified person in conjunction with all applicable electrical codes and standards.
- The ProPoint luminaire does not contain any user-serviceable parts. Opening of the luminaire will void the warranty.
- Do not use the product if the cables are damaged.
- Handle the luminaire carefully to prevent damage during installation. Rough handling may damage the internal electronics and void the warranty.
- Do not attempt installation in wet or severe weather conditions.
- Do not stare directly into the light beam while the unit is illuminated.
- IP66 rated. The ProPoint luminaire is not suitable for direct immersion in water.
- Do not operate the ProPoint luminaire without a connection to earth ground.
- The ProPoint luminaire is designed for operation at 120-277VAC. Voltages outside of this range may damage the fixture and will void the warranty.
- The ProPoint luminaire housing may become hot during normal operation and present a risk of burn injury and fire hazard. Exercise caution when working in proximity to the luminaire and make sure that combustible material does not contact the housing or lens.
- Failure to keep the luminaire within the operating temperature range (-30°C to +55°C/ -22°F to +131°F) will result in improper operation and will void the product warranty.
- Do not use harsh chemicals, cleaning solvents or strong detergents when cleaning the luminaire.

Additional product information is available on the Traxon web site:  
[www.osram.us/traxon](http://www.osram.us/traxon) & [www.traxontechnologies.com](http://www.traxontechnologies.com)

For additional support, please contact the following:

For Americas Regional Support

+1 (978) 267-5346 – Business Hours Technical Support

(347) 556-3241 – After Hours Technical Support

TRXTechSupport2@osram.com

For Asia Pacific Regional Support

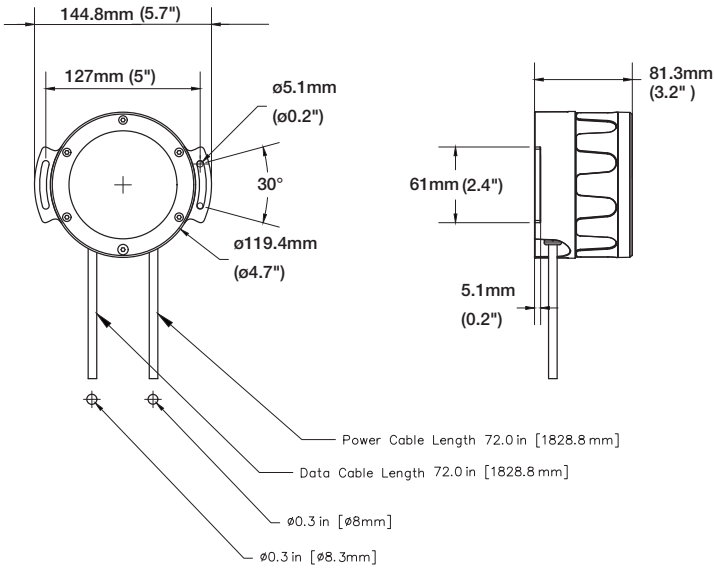
info@traxontechnologies.com

For Europe, Middle East and Africa Regional Support

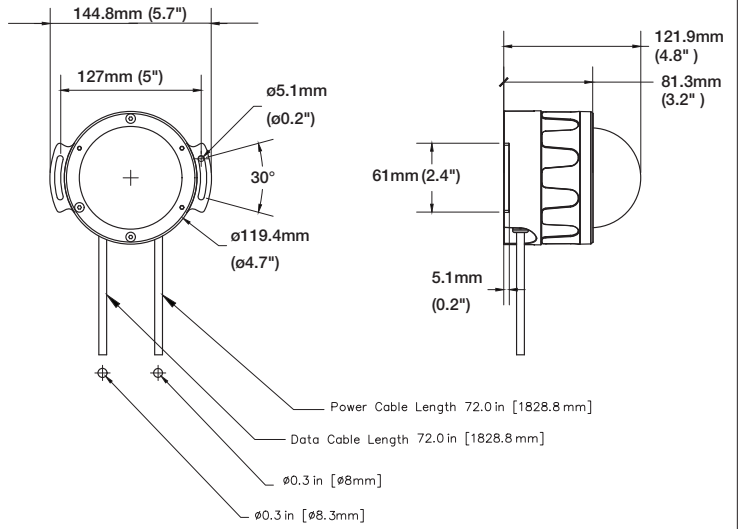
info@ecue.com

support@ecue.com

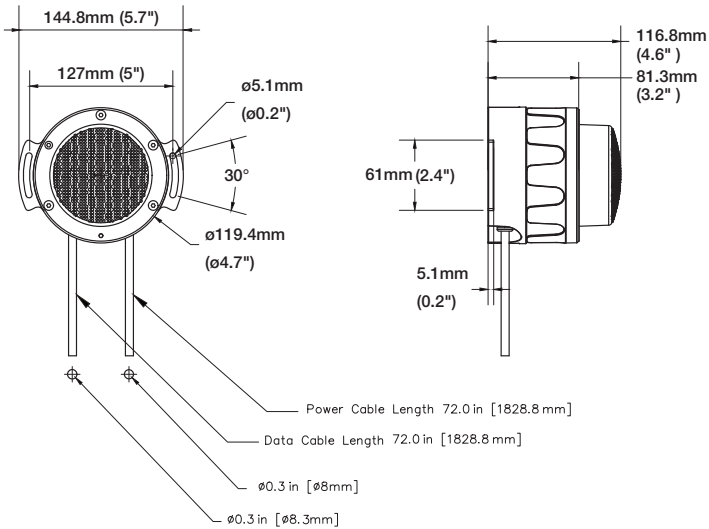
ProPoint Pixel – Flat Lens (Clear or Diffused)



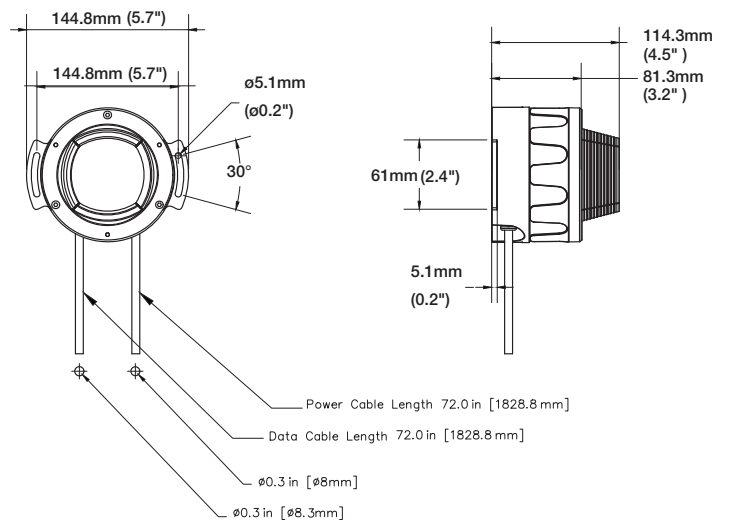
ProPoint Pixel – Dome Lens (Diffused)



ProPoint Pixel – Drum Lens (Diffused)

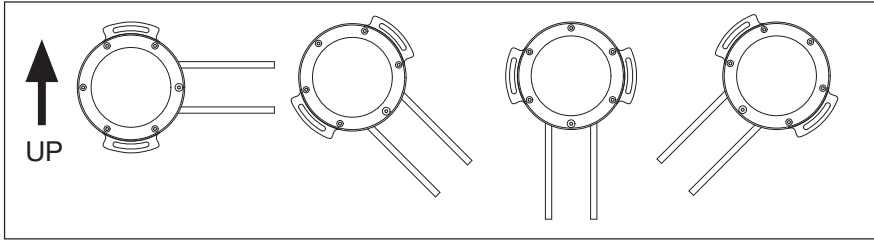


ProPoint Pixel – Prism Lens (Diffused)



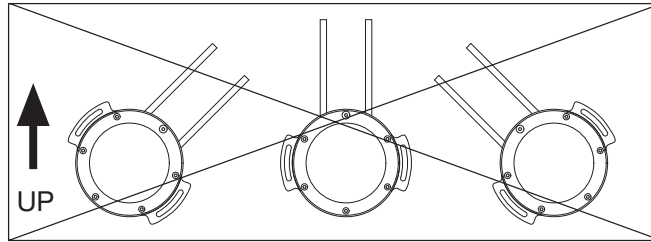
1a

Orientation and Mounting – All Models



ALLOWABLE MOUNTING ORIENTATION

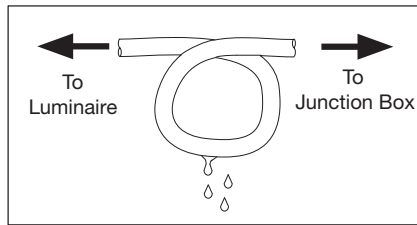
Power and data cables exit luminaire downward allowing water to travel away from cable gland gaskets.



PROHIBITED MOUNTING ORIENTATION

Power and data cables exit luminaire upward allowing water to travel into cable gland gaskets.

For applications where luminaire is mounted with cables exiting horizontally, install a drip loop suitable for shedding water ahead of cable glands.



1b

Mounting Details

**Preparation**

Remove the ProPoint Pixel luminaire from the packaging and place the unit on a level surface.

Inspect the luminaire and cables for any damage as a result of shipping.

**Mounting**

**CAUTION:** It is the installer's responsibility to make sure that the mounting surface can handle the static weight of the fixture as well as dynamic loading from environmental factors such as wind and snow/ice buildup. The use of Grade 5 or higher hardware (by others) is recommended.

Make sure that the bolts on the mounting surface align with the holes on the surface mount bracket.

Install the luminaire to the mounting surface and secure using appropriate hardware (by others).

**NOTICE:** The ProPoint Luminaire should be installed with the power and data cables exiting the housing directly down when the luminaire is mounted on a vertical surface. For applications that require horizontal orientation of the power and data cables, the installer shall apply RTV sealant to the cable gland entry points. The luminaire shall not be installed with the power and data cabling oriented up.

2

Line Voltage Wiring

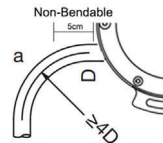
**WARNING:** Risk of electrical shock. Make sure that the branch circuit is disconnected prior to installation or inspection.

**CAUTION:** Make sure that the cable is protected from cuts and abrasions that may result in damage to the outer jacket.

**CAUTION:** IP failure induced by stressed/damaged cable entry points during or after installation will void the product warranty.

**NOTICE:** A voltage divider is recommended (and may be required by local electrical code) when a single junction box is utilized for termination of the power supply and data cables.

**NOTICE:** Cable bend radius must NOT be less than the Minimum Bending Radius (4X Cable Diameter) as specified by cable manufacturer and the Non-Bendable Length of 5cm (2in) near the cable gland MUST be adhered to. In addition to the Minimum Bending Radius, ensure that 5cm (2in) of cable at the connector junction is kept straight (see image below).



Minimum Bending Radius

**ProPoint Pixel Power Requirements:**

Input Voltage:	120-277Vac Auto Switching, Single Phase
Input Frequency:	50-60Hz
Power Consumption:	.20W
Power Factor:	≥0.9
Luminaire Wire Color – UL/CE:	Branch Circuit Termination
Brown	Line or Live Conductor
Blue	Neutral Conductor
Yellow/Green	Earth Ground Conductor

# 3a

## Data Wiring Overview

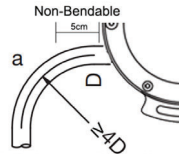
**WARNING:** Risk of electrical shock. Make sure that the branch circuit is disconnected prior to installation or inspection.

**CAUTION:** Make sure that the cable is protected from cuts and abrasions that may result in damage to the outer jacket.

**CAUTION:** IP failure induced by stressed/damaged cable entry points during or after installation will void the product warranty.

**NOTICE:** A voltage divider is recommended (and may be required by local electrical code) when a single junction box is utilized for termination of the power supply and data cables.

**NOTICE:** Cable bend radius must NOT be less than the Minimum Bending Radius (4X Cable Diameter) as specified by cable manufacturer and the Non-Bendable Length of 5cm (2in) near the cable gland MUST be adhered to. In addition to the Minimum Bending Radius, ensure that 5cm (2in) of cable at the connector junction is kept straight (see image at right).



Minimum Bending Radius

**Note:** Wire nuts are not permissible for use with data connections and will void warranty.

### Terminating Resistor

For use in terminating the DMX512 data line at the last luminaire. See section 2.6 of the install guide for additional information on usage.

Installed data cabling shall conform to the requirements outlined in ANSI E1.11 Entertainment Technology – USITT DMX512-A, Asynchronous Serial Digital Data Transmission Standard for Controlling Lighting Equipment and Accessories. All cabling shall utilize stranded conductors. Solid core conductors shall not be used.

A maximum of 32 ProPoint luminaires may be connected to a DMX data line. The maximum overall data line length (from DMX controller to the last unit in the daisy chain) is 300m (984ft).

# 3b

## Termination Kit Overview

### Termination Kit

A ProPoint termination kit (part number AM243520054) may be ordered separately. This kit contains the following components:

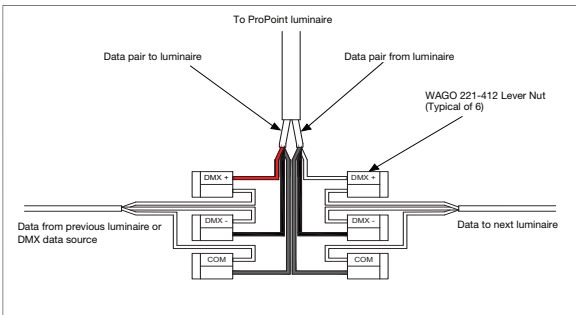
(6) Splicing wire connectors: For use in connecting data cable conductors. See section 2.6 of the install guide for additional information on usage.

# 3c

## Data Wiring Intermediate Connections

**WARNING:** Risk of electrical shock. Ensure that branch circuit power is disconnected prior to performing installation or inspection of data wiring.

**NOTICE:** A voltage divider is recommended (and may be required by local electrical code) when a single junction box is utilized for both power supply and data cable termination.



### Note:

- Maintain data pair wire twist at all connection points.
- To prevent short circuits, do not strip more conductor insulation than required for connection.
- The use of wire nuts is not acceptable and will void the warranty.
- Data connections shall be made in weatherproof enclosure by others. Use suitable cable glands and apply RTV sealant at all entry points.

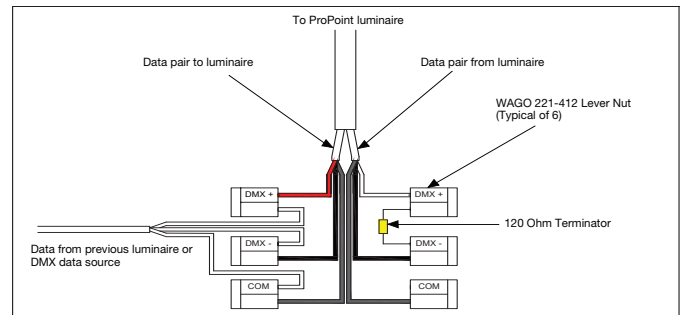
**NOTICE:** DMX data must enter each fixture using the DMX In wire pair (Black and Red conductors) and exit each fixture using the DMX Out wire pair (Black and White conductors). Do not connect data wiring in a star or tap configuration. Doing so will void the warranty and may result in control issues.

# 3d

## Data Wiring End Termination

**WARNING:** Risk of electrical shock. Ensure that branch circuit power is disconnected prior to performing installation or inspection of data wiring.

**NOTICE:** A voltage divider is recommended (and may be required by local electrical code) when a single junction box is utilized for both power supply and data cable termination.



### Note:

- Maintain data pair wire twist at all connection points.
- To prevent short circuits, do not strip more conductor insulation than required for connection.
- The use of wire nuts is not acceptable and will void the warranty.
- Data termination shall be made in weatherproof enclosure by others. Use suitable cable glands and apply RTV sealant at all entry points.

**NOTICE:** Termination is required for proper operation and shall be made at the last unit of the daisy chain only. Failure to install termination correctly will void the warranty.

# 4a

## RDM Configuration

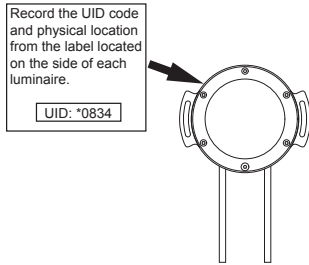
RDM (Remote Device Management Controller) compatible controller required for luminaire addressing and configuration.

- e:cue Lighting Application Suite (LAS) or Sympholight software in conjunction with the following interfaces:
  - e:cue Butler S2
  - e:cue Butler Pro
  - e:cue Butler XT2
  - e:cue SYMPL DMX Node
  - e:cue SYMPL Pro Node
  - or 3rd-party RDM controller

### RDM Unique Identifier (UID)

Each ProPoint luminaire is shipped with UID code on the exterior of the unit. The installer must record this UID (along with the location of the luminaire) for use in system configuration.

Before completing the installation, record each luminaire's UID along with its physical location. This information is required for proper configuration as well as warranty replacement if required. A table for documenting this information is included at the end of the installation guide.



# 4b

## DMX Control

### DMX Channel Functions

#### RGBW Unit

Channel	Function
1	Red Intensity
2	Green Intensity
3	Blue Intensity
4	White Intensity

#### Dynamic White Unit

Channel	Function
1	Warm White Intensity
2	Cool White Intensity

#### White and Fixed Color Unit

Channel	Function
1	White or Fixed Color Intensity

#### RGBA Unit

Channel	Function
1	Red Intensity
2	Green Intensity
3	Blue Intensity
4	Amber Intensity

#### RGB Unit

Channel	Function
1	Red Intensity
2	Green Intensity
3	Blue Intensity



<p><b>EN</b> -CONNECT TO THE POWER SUPPLY IN ACCORDANCE WITH NATIONAL REGULATIONS. -IF THE EXTERNAL FLEXIBLE CABLE OF THIS LUMINAIRE IS DAMAGED, IT SHALL BE EXCLUSIVELY REPLACED BY THE MANUFACTURER OR A SIMILAR QUALIFIED PERSON IN ORDER TO AVOID ANY HAZARD. -INSTALLATION/MAINTENANCE ONLY BY SKILLED PERSONNEL. -DURING OVERHAUL/MAINTENANCE ONLY USE ORIGINAL PARTS. -IF ANY LUMINAIRE IS SUBSEQUENTLY MODIFIED, THE PERSON RESPONSIBLE FOR THE MODIFICATION SHALL BE CONSIDERED THE MANUFACTURER. -THE MANUFACTURER BEARS NO LIABILITY FOR DAMAGE CAUSED BY INAPPROPRIATE USE OR APPLICATION.</p>	<p><b>DE</b> -NETZANSCHLUSS BITTE NACH DEN LÄNDERSPEZIFISCHEN ERRICHTUNGSBESTIMMUNGEN TÄTIGEN. -FALLS DAS EXTERNE FLEXIBLE KABEL DIESER LEUCHE BESCHÄDIGT IST, DARF ES AUSSCHLIESSLICH ERSETZT WERDEN DURCH DEN HERSTELLER ODER EINER ÄHNLICH QUALIFIZIERTEN PERSON, UM GEFÄHRDUNGEN ZU VERMEIDEN. -MONTAGE/WARTUNG NUR DURCH FACHKRÄFTE. -BEI INSTANDSETZUNG/INSTANDHALTUNG NUR ORIGINALTEILE VERWENDEN. -WERDEN NACHTRÄGLICH ÄNDERUNGEN AN LEUCHTEN VORGENOMMEN, SO GILT DERJENIGE ALS HERSTELLER, DER DIESE ÄNDERUNG VORNIMMT. -DER HERSTELLER ÜBERNIMMT KEINE HAFTUNG FÜR SCHÄDEN, DIE DURCH UNSACHGEMÄSSEN EINSATZ ENTSTEHEN.</p>
<p><b>FR</b> -CONNEXION À L'ALIMENTATION CONFORMÉMENT AUX NORMES EN VIGUEUR. -SI LE CÂBLE EXTÉRIEUR SOUPLE OU LE CORDON DE CE LUMINAIRE EST ENDOMMAGÉ, IL DOIT ÊTRE REMPLACÉ EXCLUSIVEMENT PAR LE FABRICANT, OU TOUTE PERSONNE DE QUALIFICATION ÉQUIVALENTE, CECI AFIN D'ÉVITER TOUT RISQUE. -LES OPERATIONS D'INSTALLATION ET D'ENTRETIEN DOIVENT ÊTRE EFFECTUÉES EXCLUSIVEMENT PAR DES PERSONNES QUALIFIÉES. -DANS LE CAS D'UNE REMISE EN ÉTAT, UTILISER UNIQUEMENT DES COMPOSANTS D'ORIGINE. -TOUTES MODIFICATIONS APPORTÉES AU LUMINAIRE SE FERONT SOUS LA RESPONSABILITÉ EXCLUSIVE DE CELUI QUI LES EFFECTUE. -LE FABRICANT DECLINE TOUTE RESPONSABILITÉ RESULTANT D'UN MISE EN OEUVRE INAPPROPRIÉE DU PRODUIT.</p>	<p><b>IT</b> -EFFETTUARE L'ALLACCIAMENTO ALLA RETE SECONDO LE NORME DI INSTALLAZIONE VIGENTI NEL PAESE D'UTILIZZO. -SE IL CAVO FLESSIBILE ESTERNO DI QUESTO APPARECCHIO D'ILLUMINAZIONE È DANNEGGIATO, PER EVITARE PERICOLI ESSO PUÒ ESSERE SOSTITUITO ESCLUSIVAMENTE DAL PRODUTTORE O DA PERSONA DOTATA DI ANALOGA QUALIFICA. -MONTAGE/MANUTENZIONE SOLO PER MEZZO DI PERSONALE SPECIALIZZATO. -PER RIPARAZIONE/MANUTENZIONE IMPIEGARE SOLO PARTI ORIGINALI. -IL COSTRUTTORE SI RISERVA IL DIRITTO DI APPORTARE SENZA PREAVVISO MODIFICHE DI PESO, DIMENSIONI E CARATTERISTICHE TECNICHE. -IL COSTRUTTORE NON È RESPONSABILE PER DANNI DERIVANTI DA MODIFICHE REALIZZATE DA TERZI E DA UNA INSTALLAZIONE NON CORRETTA.</p>
<p><b>ES</b> -LA CONEXIÓN A RED DEBE DE REALIZARSE SIGUIENDO LAS NORMAS ESPECÍFICAS DE CADA PAÍSES. -EN CASO DE QUE EL CABLE EXTERNO FLEXIBLE DE ESTA LUMINARIA ESTE DAÑADO SÓLO PUEDE REEMPLAZARSE POR EL FABRICANTE O UNA PERSONA SIMILAR CUALIFICADA, PARA EVITAR PELIGROS. -EL MONTAJE Y MANTENIMIENTO LO EFECTUARÁN ÚNICAMENTE LOS TÉCNICOS ESPECIALIZADOS. -PARA REPARACIONES HAN DE EMPLEARSE SOLO PIEZAS ORIGINALES DE RECAMBIO. -RESERVADO EL DERECHO DE MODIFICACION DE DIMENSIONES, PESOS Y CARACTERÍSTICAS TÉCNICAS, SIN PREVIO AVISO. -EL FABRICANTE NO ASSUME RESPONSABILIDAD POR MODIFICACIONES REALIZADAS POR TERCEROS, NIP OR INSTALACION INCORRECTA.</p>	<p><b>PT</b> -LIGAR À FONTE DE ALIMENTAÇÃO, DE ACORDO COM A REGULAMENTAÇÃO NACIONAL. -CASO O CABO EXTERNO E FLEXÍVEL DA LUMINÁRIA SE DANIFIQUE, DEVE SER SUBSTITUÍDO PELO FABRICANTE OU PESSOA IGUALMENTE QUALIFICADA, PARA EVITAR SITUAÇÕES DE PERIGO. -MONTAGEM/MANUTENÇÃO EFECTUADA UNICAMENTE POR PESSOAL TÉCNICO ESPECIALIZADO. -UTILIZAR SOMENTE PEÇAS ORIGINAIS DO FABRICANTE. -O FABRICANTE NÃO SE RESPONSABILIZA POR DANOS RESULTANTES DA INADEQUADA UTILIZAÇÃO DOS MATERIAIS.</p>
<p><b>EL</b> -ΗΣΥΝΔΕΣΗ ΜΕ ΤΗΝ ΠΑΡΟΧΗ ΡΕΥΜΑΤΟΣ ΝΑ ΓΙΝΕΤΑΙ ΣΥΜΦΩΝΑ ΜΕ ΤΙΣ ΕΘΝΙΚΕΣ ΠΡΟΔΙΑΓΡΑΦΕΣ. -ΣΕ ΠΕΡΙΠΤΩΣΗ ΠΟΥ ΤΟ ΕΞΩΤΕΡΙΚΟ ΕΥΚΑΜΠΤΟ ΚΑΛΩΔΙΟ ΑΥΤΟΥ ΤΟΥ ΦΩΤΙΣΤΙΚΟΥ ΕΙΝΑΙ ΚΑΤΕΣΤΡΑΜΜΕΝΟ, ΠΡΕΠΕΙ ΝΑ ΑΝΤΙΚΑΤΑΣΤΑΘΕΙ ΑΠΟΚΛΕΙΣΤΙΚΑ ΚΑΙ ΜΟΝΟ ΑΠΟ ΤΟΝ ΚΑΤΑΣΚΕΥΑΣΤΗ Η ΑΠΟ ΑΛΛΟ ΕΞΟΥΣΙΟΔΟΤΗΜΕΝΟ ΑΤΟΜΟ, ΓΙΑ ΤΗΝ ΑΠΟΦΥΓΗ ΚΙΝΔΥΝΩΝ. -ΤΟΠΟΘΕΤΗΣΗ/ΣΥΝΤΗΡΗΣΗ ΜΟΝΟ ΑΠΟ ΗΛΕΚΤΡΟΛΟΓΟ. -ΚΑΤΑ ΤΗΝ ΕΠΙΣΚΕΥΗ/ΔΙΑΤΗΡΗΣΗ ΧΡΗΣΙΜΟΠΟΙΕΙΤΕ ΓΝΗΣΙΑ ΑΝΤΑΛΛΑΚΤΙΚΑ ΜΟΝΟ.</p>	<p><b>NL</b> -AANSLUITEN OP HET LICHTNET, CONFORM DE NATIONALE REGELGEVING. -ALS HET EXTERNE FLEXIBELE SNOER VAN DEZE ARMATUUR BESCHADIGD IS, MAG DIT UITSLUITEND WORDEN VERVANGEN DOOR DE FABRIKANT OF EEN ANDERE GEKwalificeerde PERSOON, OM RISICO'S TE VOORKOMEN. -MONTAGE/SERVICE ALLEEN DOOR VAKKUNDIG PERSONEEL. -BIJ INBEDRIJFSTELLEN/ONDERHOUD ALLEEN ORIGINELE ONDERDELEN GEBRUIKEN.</p>
<p><b>SV</b> -NÄTANSLUTNING SKALL SKE ENLIGT NATIONELLA BESTÄMMELSER. -ÄR DEN EXTERNA FLEXIBLA SLADDEN PÅ LAMPAN SKADAD, FÅR ENDAST TILLVERKAREN ELLER EN ANNAN PERSON MED LIKNANDE KVALIFIKATIONER BYTA UT DENNA, FÖR ATT UNDVIKA FAROR. -MONTERING AKÖTSEL ENDAÅT AV FACKFOLK. -ANVÄND BARA ORIGINALDELAR VID INGÅNGSÄTTNING/UNDERHÅLL.</p>	<p><b>NO</b> -KOBLE TIL STRØMFORSYNINGEN I HENHOLD TIL NASJONALE BESTEMMELSER. -HVIS DEN EKSTERNE OG FLEKSIBLE KABELN TIL DENNE LAMPEN ER SKADET, SÅ MÅ DEN KUN SKIFTES UT AV PRODUSENTEN ELLER EN LIKEVERDIG KVALISERT PERSON, FOR AT SKADER UNNGÅS. -MONTERES KUN AV FAGPERSONELL. -VED FEILRETNING I BRUK KUN ORIGINALDELER.</p>
<p><b>CZ</b> -PŘIPOJENÍ K SÍŤOVÉMU NAPĚTÍ DLE PLATNÝCH NÁRODNÍCH NOREM. -POKUD JE EXTERNÍ PRUŽNÝ KABEL TOHOTO SVĚTLIDLA POŠKOZEN, SMÍ JEHO VÝMĚNU PROVĚST POUZE VÝROBCE NEBO PODOBNĚ KVALIFIKOVANÁ OSOBA, ABY NEDOŠLO K ŽÁDNÉMU OHROŽENÍ. -MONTÁŽ A ÚDRŽBA MŮŽE BYT PROVÁDĚNA VYHRADNĚ ODBORNOU OSOBU. -PŘI ÚDRŽBĚ NEBO OPRAVĚ MUSÍ BYT POUŽITY JEN ORIGINÁLNÍ NÁHRADNÍ DÍLY.</p>	<p><b>RU</b> -выполнить подключение к сети в соответствии с принятыми в данной стране правилами монтажа. -в случае повреждения внешнего гибкого кабеля этого светильника, чтобы исключить риски, он должен быть заменен только изготовителем или лицом, имеющим такую же квалификацию. -при ремонте применять только те же самые части. -монтаж/обслуживание только специалистами.</p>
<p><b>HU</b> -CSATLAKOZTASSA A TÁPEGYSÉGBE A HELYI ELŐÍRÁSOKNAK MEGFELELŐEN. -HA EZEN LÁMPÁK HAJLÍTHATÓ/RUGALMAS KÁBELEI MEGSÉRÜLNEK, AKKOR AZOK KIZÁRÓLAG CSAK A GYÁRTO VAGY HASONLÓAN KVALIFIKÁLT SZEMÉLY ÁLTAL CSERÉLHETŐK KI, HOGY ELKERÜLJÜK A BALESETEKET. -A SZERELÉST/KARBANTARTÁST CSAK SZAKSZEMÉLYZET VÉGEZHETI. -ÜZEMBEHELVEZESNEL/KARBANTARTASNAL CSAK EREDETI ALKATRÉSZEK HASZNÁLHATÓK.</p>	<p><b>PL</b> -ZASILANIE NALEŻY POŁĄCZYĆ ZGODNIE Z WYMAGANIAM I ODPOWIEDNICH NORM. -W PRZYPADKU USZKODZENIA PRZEWODU ZASILAJĄCEGO NALEŻY GO WYMIENIĆ NA NOWY. WYMIANA PRZEWODU MOŻE BYĆ WYKONANA JEDYNIJE PRZEZ WYKwalifikowanego ELEKTRYKA. -MONTAŻ/KONSERWACJA TYLKO PRZEZ FACHOWY PERSONAL. -DLA NAPRAWY/BIEŻĄCEJ EKSPLOATACJI STOSOWAĆ TYLKO ORYGINALNE CZĘŚCI ZAMIENNE.</p>
<p><b>SK</b> -ZAPOJTE DO EL. PRÍVODU PODLA PREDPÍSANÝCH NORIEM. -AK JE EXTERNÝ PRUŽNÝ KÁBEL TOHTO SVETLIDLA POŠKODENÝ, SMIE BYŤ NAHRADENÝ VYLUČNE VÝROBCOM ALEBO PODOBNE KVALIFIKOVANOU OSOBOU, ABY SA ZABRÁNILO OHROZENIU. -MONTAŽO/VZDRŽEVANJE LAHKO IZVRŠI LE USTREZNO USPOSOBLJENA OSEBA. -PRI POPRAVILU/VZDRŽEVALNIH DELIH SE LAHKO UPORABLJAJO SAMO ORIGINALNI DELI. -V KOLIKOR SE NA SVETILKAH NAKNADNO IZVEDEJO SPREMEMBE, SE ZA PROIZVAJALCA SVETILKE SMATRA TISTI, KI JE IZVEDEL SPREMEMBO. -PROIZVAJALEC NE JAMČI ZA ŠKODO, KI BI NASTALA ZARADI NEPRAVILNE UPORABE.</p>	<p><b>TR</b> -ŞEBEKE BAĞLANTISINI LÜTFEN ÜLKEYE ÖZGÜ KURULUM KURALLARI ÇERÇEVESİNDE YAPINIZ. -AVİZEMİN (LUMINAİRE) HARİCİ ESNEK KABLOSUNUN HASAR GÖRMESİ DÜRUMUNDA, TEHLİKELERDEN KAÇINMAK ÜZERE BU SADECE ÜRETİCİ TARAFINDAN VEYA BENZERİ VASİFLİ KİŞİLER TARAFINDAN DEĞİŞTİRİLEBİLİR. -MONTAJ VE BAKIM SADECE YETKİLİ PERSONEL TARAFINDAN YAPILMALIDIR. -BAKIMDA SADECE ORJINAL PARÇALAR KULLANIMALIDIR.</p>
<p><b>HR</b> -MOLIMO IZVRŠITE MREŽNI PRIKLJUČAK PREMA SPECIFIČNIM NACIONALNIM ODREDBAMA O NJEGOVOM IZVRŠENJU. -UKOLIKO JE EKSTERNI, FLEKSIBILNI KABEL TE SVJETILJKE OŠTEČEN, ZAMJENA ISTOG JE DOZVOLJENA ISKLJUČIVO PROIZVOĐAČU ILI SLIČNOJ KVALIFICIRANOJ OSOBI, KAKO BI SE IZBJEGLE OPASNOSTI. -MONTAŽU/ODRŽAVANJE MORA VRŠITI ODGOVARAJUĆE OSPOSOBLJENA OSOBA. -PRI POPRAVKU/ODRŽAVANJU KORISTITI SAMO ORIGINALNE DIJELOVE. -UKOLIKO SE NA SVJETILJKAMA NAKNADNO VRŠE PROMJENE, ZA PROIZVOĐAČA SVJETILJKE SE SMATRA TAJ KOJI JE PROMJENE IZVRŠIO. -PROIZVOĐAČ NE GARANTUJE ZA ŠTETU KOJA BI MOGLA NASTATI USLED NEPRAVILNE UPOTREBE.</p>	<p><b>SR</b> -MOLIMO DA MREŽNI PRIKLJUČAK PROVEDETE PREMA SPECIFIČNIM NACIONALNIM ODREDBAMA O NJEGOVOM PROVOĐENJU. -AKO JE EKSTERNI FLEKSIBILNI KABAL OVE SVETILJKE OŠTEČEN, NJEGA SME DA ZAMENI ISKLJUČIVO PROIZVOĐAČ ILI NEKO SLIČNO KVALIFIKOVANO LICE, DA BI SE IZBEGLA UGRŽAVANJA. -MONTAŽU/ODRŽA VANJE MOŽE DA OBAVI SAMO STRUČNO OSPOSOBLJENA OSOBA. -PRI POPRAVLJANJU/ODRŽAVANJU UPOTREBLJAVATI SAMO ORIGINALNE DELOVE. -UKOLIKO SE NA SVETILJKAMA NAKNADNO URADE IZMENE, ZA PROIZVAĐAČA SVETILJKE ĆE SE SMATRATI ONAJ KO IZMENE IZVRŠI. -PROIZVAĐAČ NE GARANTUJE ZA ŠTETU KOJA BI MOGLA NASTATI USLED NEPRAVILNE UPOTREBE.</p>