

120-277VAC
(2 Wire + Ground)

DMX512/RDM
(1 x twisted pair
+ 1 shield/common)

From power source/
previous fixture

To next fixture

From DMX transmitter/
previous fixture

To next fixture

From previous fixture

1 ProPoint Vista 200w Wiring Details
TX401 SCALE: N.T.S.

20 MURRAY HILL PARKWAY
EAST RUTHERFORD, NJ
201.508.1570 [T] .201.508.1689 [F]
WWW.TEXOCH-USE.COM

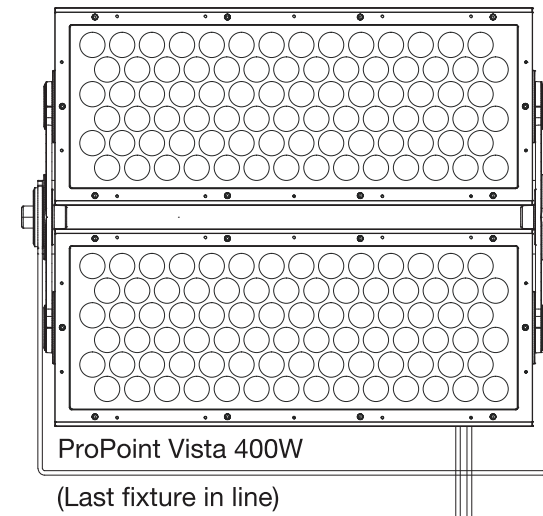
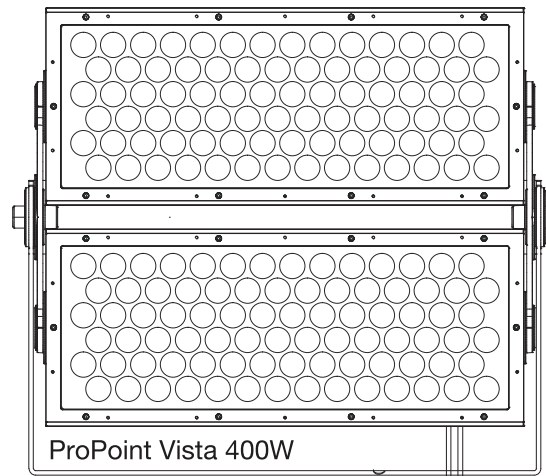
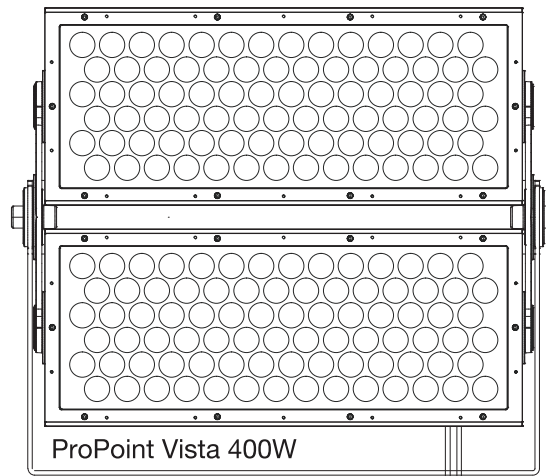


Traxonecue is a solutions company. We are happy to provide whatever information and documentation is needed to clarify the system design and design understanding of our products. Please know, however, that our expertise is limited to our products only. Traxonecue and its employees cannot be held responsible for decisions relating to fixture layout, lighting design, or fixture selection. Our lighting professionals can provide recommendations based on our experience and knowledge of our products. They are not a licensed electrician, and their recommendations do not constitute an electrical design. Our lighting professionals are not responsible for any electrical code violations or other issues that may arise from the installation of our products. It is the responsibility of the contractor to ensure that all electrical work is done in accordance with the applicable electrical code and to obtain the necessary permits and approvals. Disabling the system commissioning service addresses Traxonecue's responsibility for any and all responsibility for the functioning of the finished system beyond the standard product warranty. It is the responsibility of the contractor to ensure that the system is properly installed and that the system is properly configured. Traxonecue does not provide pre-approval or pre-acceptance of fixtures as part of its commissioning service. Traxonecue is not responsible for any damage to equipment or loss of equipment that may occur as a result of any installation or use of Traxonecue products. Traxonecue is happy to support your team in every way we can, and we look forward to a beautiful and successful installation.

© 2010 Traxone Technologies

REV.	DATE	BY	REMARKS

PROJECT:	LOCATION:
ProPoint Vista 200w Wiring Details	
DATE:	FILE NAME:
20200817	
SHEET SIZE:	DRAWN BY:
SHEET NUMBER:	CHECKED BY:

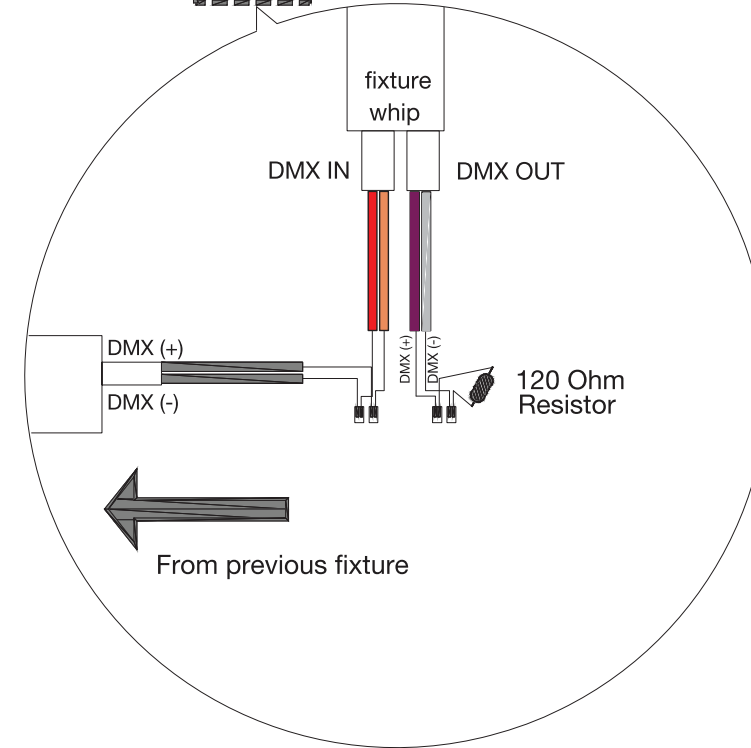
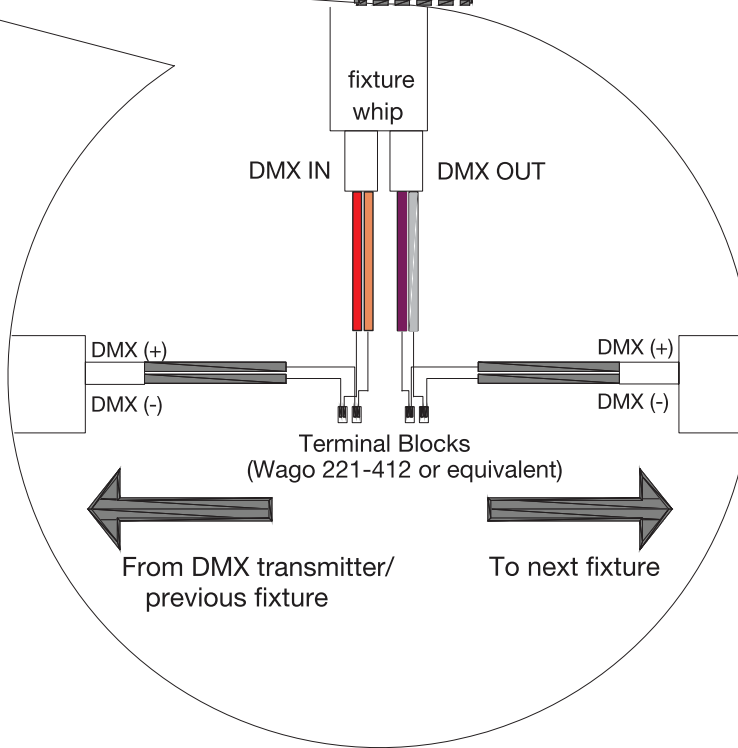
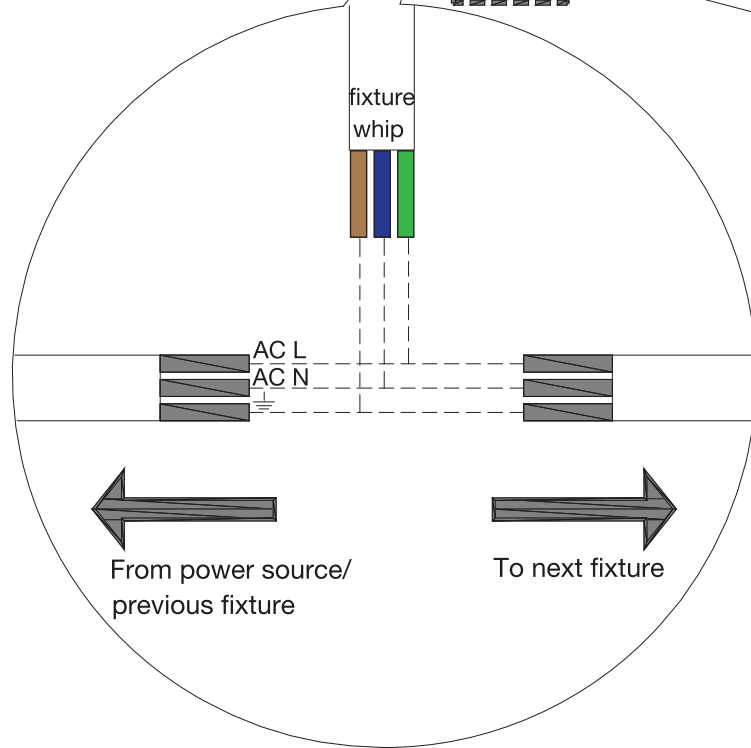


120-277VAC
(2 Wire + Ground)

DMX512/RDM
(1 x twisted pair
+ 1 shield/common)

Line voltage junction box
(By others)

Data junction box
(By others)



traxonecue
AN OSRAM BUSINESS

20 MURRAY HILL PARKWAY
EAST RUTHERFORD, NJ
201.508.1570 [T] .201.508.1589 [F]
WWW.TEKOX-USG.COM

Traxonecue is a solutions company. We are happy to provide whatever information and documentation is needed to clarify the system design and design understanding of our products. Please know, however, that our expertise is limited to our products only. Traxonecue and its employees cannot be held responsible for decisions relating to fixture layout, lighting design, electrical specifications, or any other project details that are not directly related to the products themselves. The user assumes all responsibility for any and all decisions. They are merely suggestions. They must be reviewed by qualified professionals and incorporated into the construction documents of each relevant discipline. On the same note, while we have an extensive background in lighting, we are not an electrical contractor. All electrical work must be performed by a qualified electrical contractor. Disabling the system commissioning service voids Traxonecue's responsibility for the functioning of the finished system beyond the standard product warranty. It is the responsibility of the user to make any necessary adjustments to mounting and/or wiring as determined by the client or Traxonecue. Traxonecue does not provide pre-ignition or pre-verification of fixtures as part of its service. Traxonecue is not responsible for any damage or injury to property or persons caused by the use of its products. Traxonecue cannot be held liable for any damage or injury to property or persons caused by the use of its products. Traxonecue is happy to support your team in every way we can, and we look forward to a beautiful and successful installation.

© 2010 Traxone Technologies

REV.	DATE	BY	REMARKS

PROJECT:	ProPoint Vista 200w Wiring Details		
LOCATION:			
DATE:	JOB NO.:	FILE NAME:	CHECKED BY:
20200817			
SHEET SIZE:	SCALE:	DRAWN BY:	
SHEET NUMBER:	SHEET TITLE:		

1
TX402

ProPoint Vista 400w Wiring Details
SCALE: N.T.S.