



Cove Light AC DIM GII

The Cove Light AC DIM GII is a slim profile, AC line powered highly efficient luminaire with a range of power output options. With 120-277V power input and 0-10V dimming, the Cove Light AC DIM GII is the perfect addition to interior hospitality and residential environments.



Product Specifications

	5W/ft		12W/ft	
Light Source (LEDs)	12	48	12	48
Color Temperature(3000K, 3500K, 4000K			
CRI	>80Ra			
SDCM	2			
Beam Angle'	60° × 10°, 60° × 30°			
Luminous Flux ⁰	380 lm	1669 lm	1076 lm	4404 lm
Efficacy ⁰	81 lm/W	88 lm/W	93 lm/W	97 lm/W
Lumen Maintenance	L70 @25°C - 50,000hrs			
Cover Lens	PC cover			
Housing	Aluminium			
Adjustment Options	±90° tilt			
Dimensions (L)	300mm	1200mm	300mm	1200mm
	12"	48"	12"	48"
(W × H)	37mm × 55mm / 1.5" × 2.1"			
Weight	0.4kg / 0.9lbs	1.4kg / 3.1lbs	0.5kg / 1.1lbs	1.6kg / 3.5lbs
Regulatory Listing & Safety Approval	Electrical Protection Class II, cETLus			
Operating Temperature	-20°C to +50°C / -4°F to +122°F			
Storage Temperature	-40°C to +70°C / -40°F to +158°F			
Environment	Indoor (IP20)			
Humidity	90%, non-condensing			

Electrical Specifications

Input Voltage ¹	120-277V AC 50/60Hz			
Power Consumption	5W	19W	12W	47W
Power Factor	≥ 0.9 @120V			

System Specifications

Power	AC line			
Control ²	1-10V dimming, 5%-100%, 0.2mA dimming current			
Power Supply	Built-in			
Fixture Interconnection ^{3A}	100ft @120V AC		40ft @120V AC	
	200ft @277V AC		100ft @277V AC	

^{*} Options shown are Standard Traxon e:cue North America Cove Light AC Dim GII offering. Non-standard wattages, CCTs, and beam-spreads are available. Consult your Traxon e:cue Business Development Manager or Inside Sales Representative for stock availability and leadtime. Minimum order quantities and extended leadtimes may apply.

- 60° × 30° only available with 5W per foot model in standard offering
- Luminous Flux is respective to Color Temperature 4000K and Beam Angle 60° × 10°, see photometrics pages for other Color Temperature and Beam Angle results.
- Product is not for use on circuits that contain generators, pumps, motors, or on emergency backup lighting systems.
- Dimming range might be different when working with different dimmers.
- Interconnect WITHOUT dimmer.

LED CHARACTERISTICS Because LEDs are semiconductor devices, their performances are subject to inherent variability commonly found in semiconductor industry. To improve consistency in performance across the same product, LED manufacturers "sort" LEDs into bins according to different preset parameters, such as forward driving voltage, illumination, etc. Whereas binning is a sorting function, it is not a correction process. Inherent variability in the manufacturing process results always in different binning distributions according to different production lots. Traxon uses automatically binned LEDs on its products, thereby minimizing output variations within the model range.

As with all electronic devices, LED output degrades over time – a term called lumen depreciation. This also explains why it is nearly impossible to expect photometric performances of two LED products with different service life spans to be the same. The rate of LED degrade is a complicate function of many factors such as operating efficiency, duration of continuous operation, and more significantly, environmental conditions (ambient temperature for example). If allowed working under optimal operating temperature range and with good ventilation, LED devices enjoy long service lives over conventional light sources. When using/installing LED devices, care should be taken to ensure that the devices will operate within the operating conditions specified in respective product literature.

Lumen measurement complies with LM-79-08 standard.
 Lumen maintenance is calculated based on LM-80 compliant measurement.

www.traxontechnologies.com
www.osram.us/traxon

©2020 TRAXON TECHNOLOGIES - AN OSRAM BUSINESS. ALL RIGHTS RESERVED. TRAXON™, TX CONNECT®, ARE TRADEMARKS OF TRAXON TECHNOLOGIES. U.S. PATENTS, E.U. PATENTS, JAPAN PATENTS, OTHER PATENTS PENDING. SPECIFICATIONS ARE SUBJECT TO CHANGE WITHOUT NOTICE.

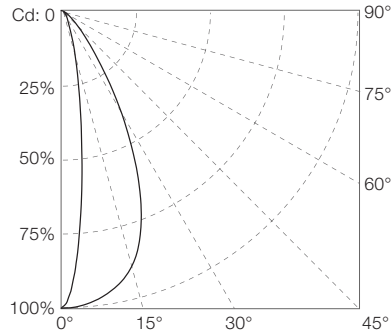
Cove Light AC DIM GII

Photometrics

Source Specifications

LED Source	White LEDs (5W/ft)
Beam Angle	60° x 10°
Color Temperature	3000K, 3500K, 4000K

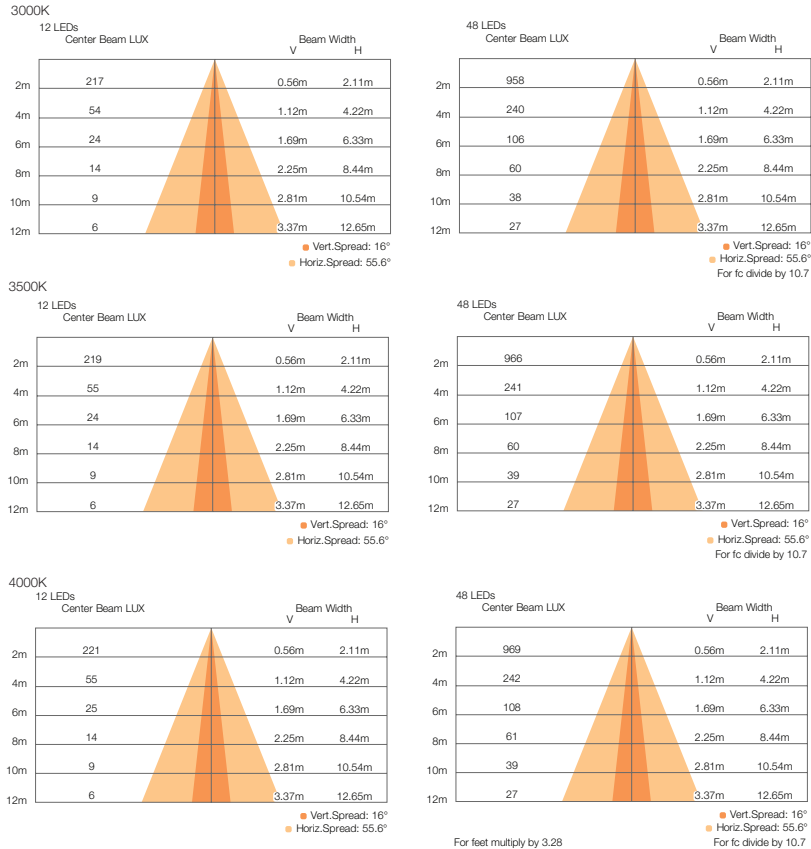
Candela Distribution



Light Output

Color Temperature	Luminous Flux (lm)	Candela Distribution @100%	Efficacy (lm/W)
12 LEDs			
3000K	374	868	80
3500K	377	877	80
4000K	380	883	81
48 LEDs			
3000K	1650	3833	87
3500K	1664	3863	88
4000K	1669	3876	88

Illuminance at a Distance



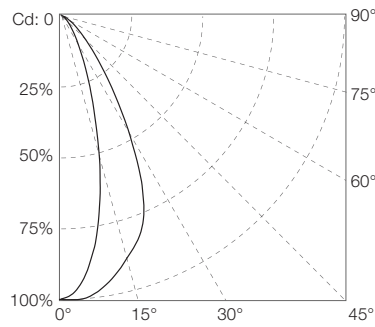
Cove Light AC DIM GII

Photometrics

Source Specifications

LED Source	White LEDs (5W/ft)
Beam Angle	60° x 30°
Color Temperature	3000K, 3500K, 4000K

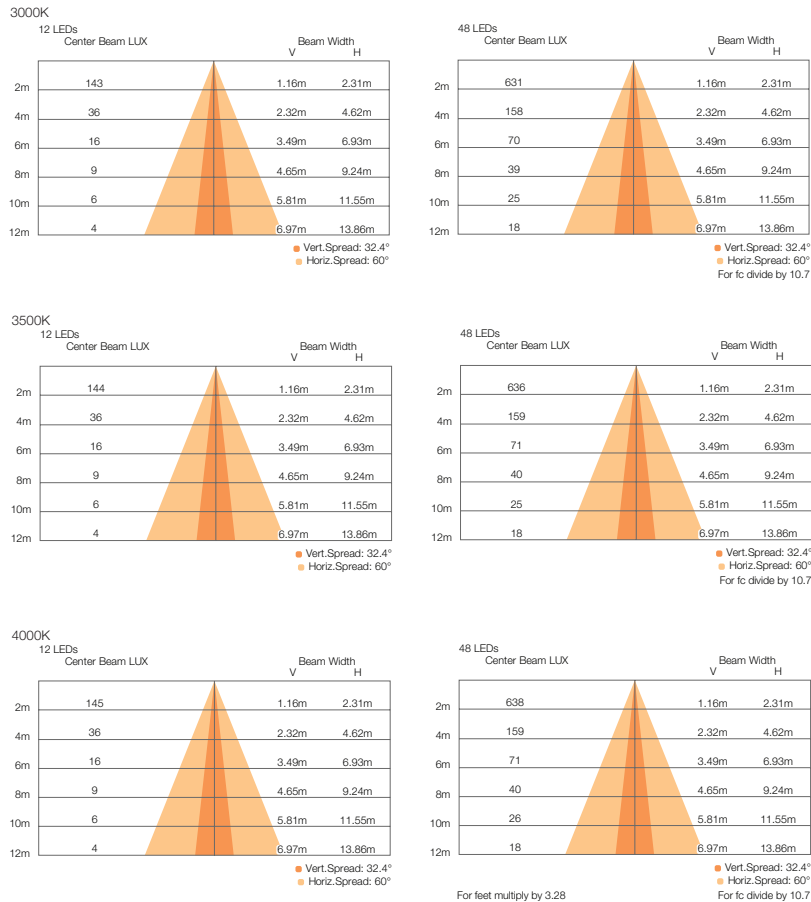
Candela Distribution



Light Output

Color Temperature	Luminous Flux (lm)	Candela Distribution @100%	Efficacy (lm/W)
12 LEDs			
3000K	413	573	88
3500K	417	578	89
4000K	420	582	89
48 LEDs			
3000K	1824	2530	96
3500K	1839	2551	97
4000K	1845	2558	97

Illuminance at a Distance



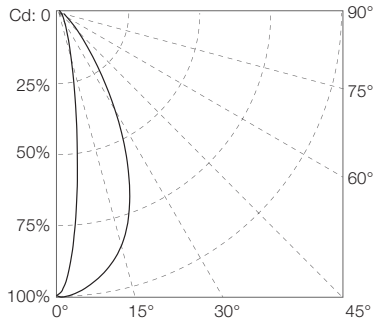
Cove Light AC DIM GII

Photometrics

Source Specifications

LED Source	White LEDs (12W/ft)
Beam Angle	60° x 10°
Color Temperature	3000K, 3500K, 4000K

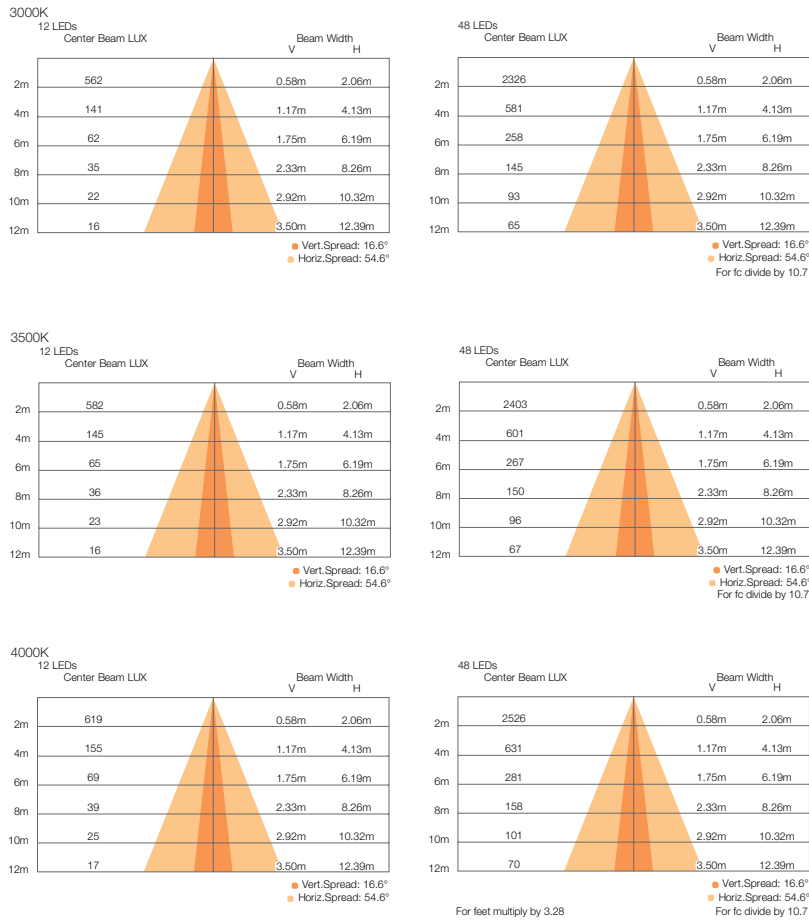
Candela Distribution

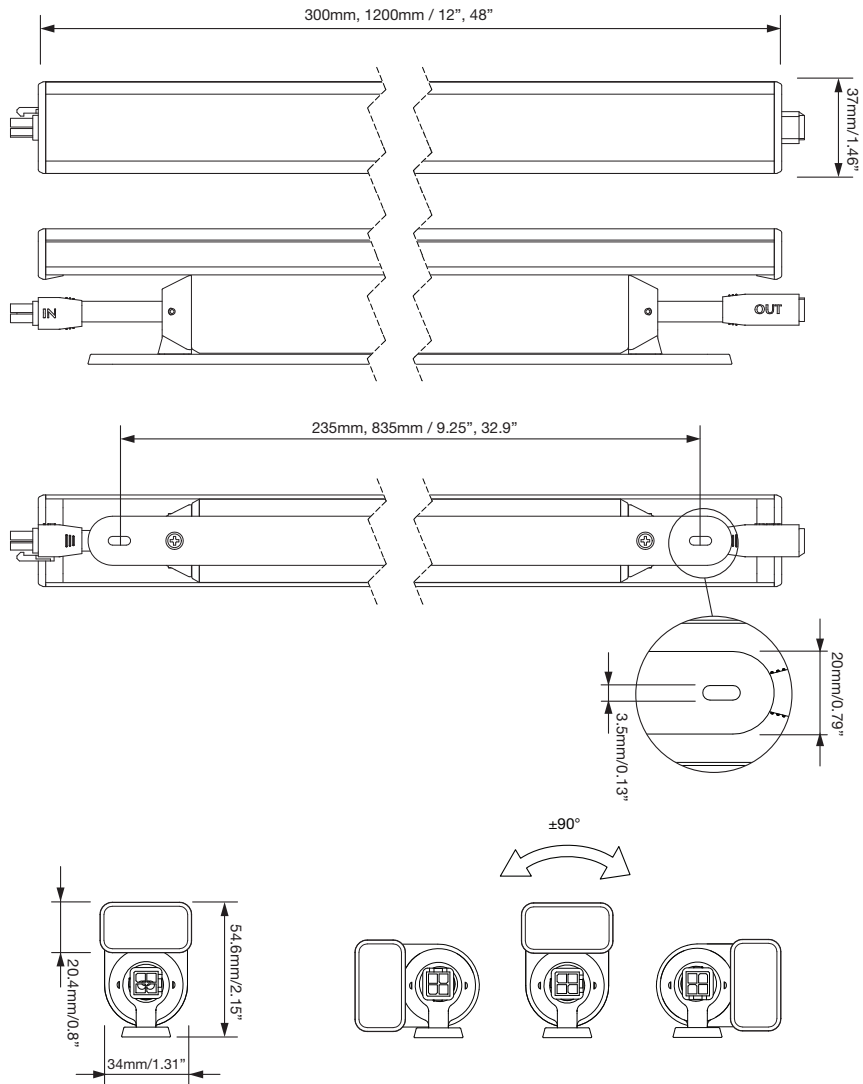


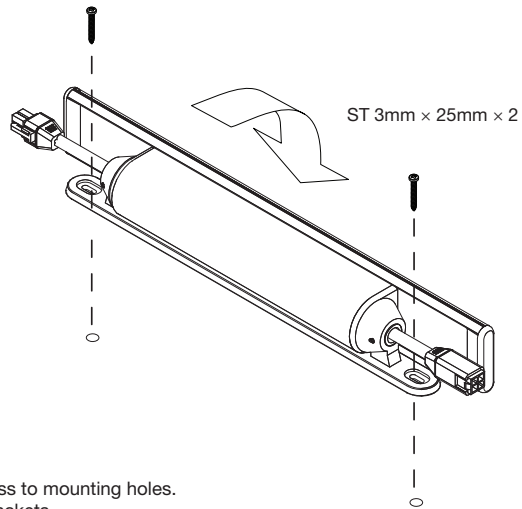
Light Output

Color Temperature	Luminous Flux (lm)	Candela Distribution @100%	Efficacy (lm/W)
12 LEDs			
3000K	980	2295	86
3500K	1015	2366	89
4000K	1079	2513	93
48 LEDs			
3000K	4055	9395	91
3500K	4190	9683	94
4000K	4404	10150	97

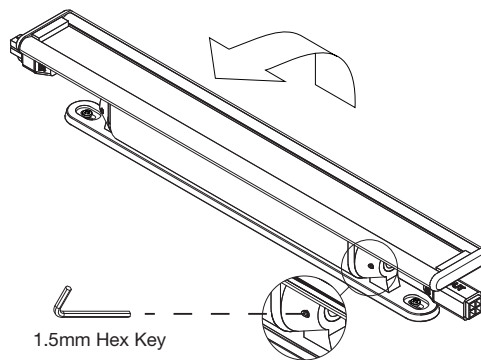
Illuminance at a Distance



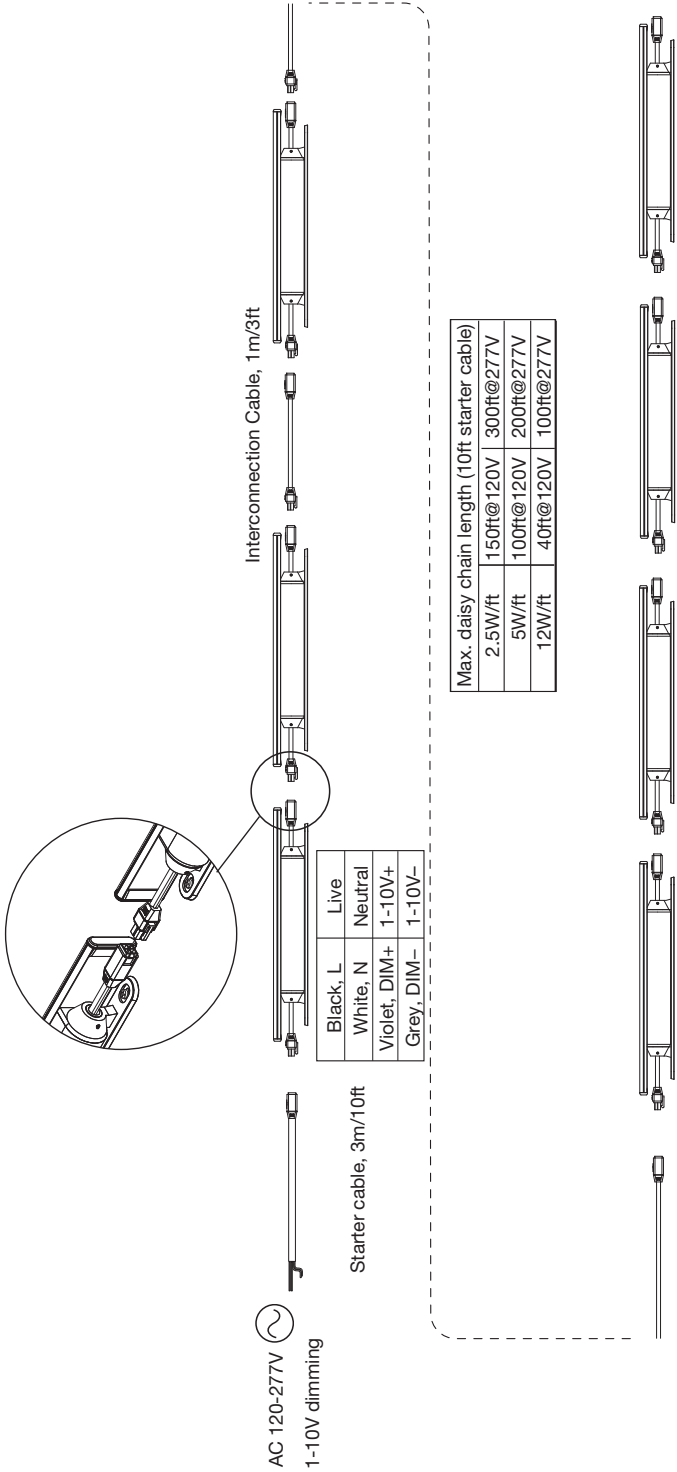


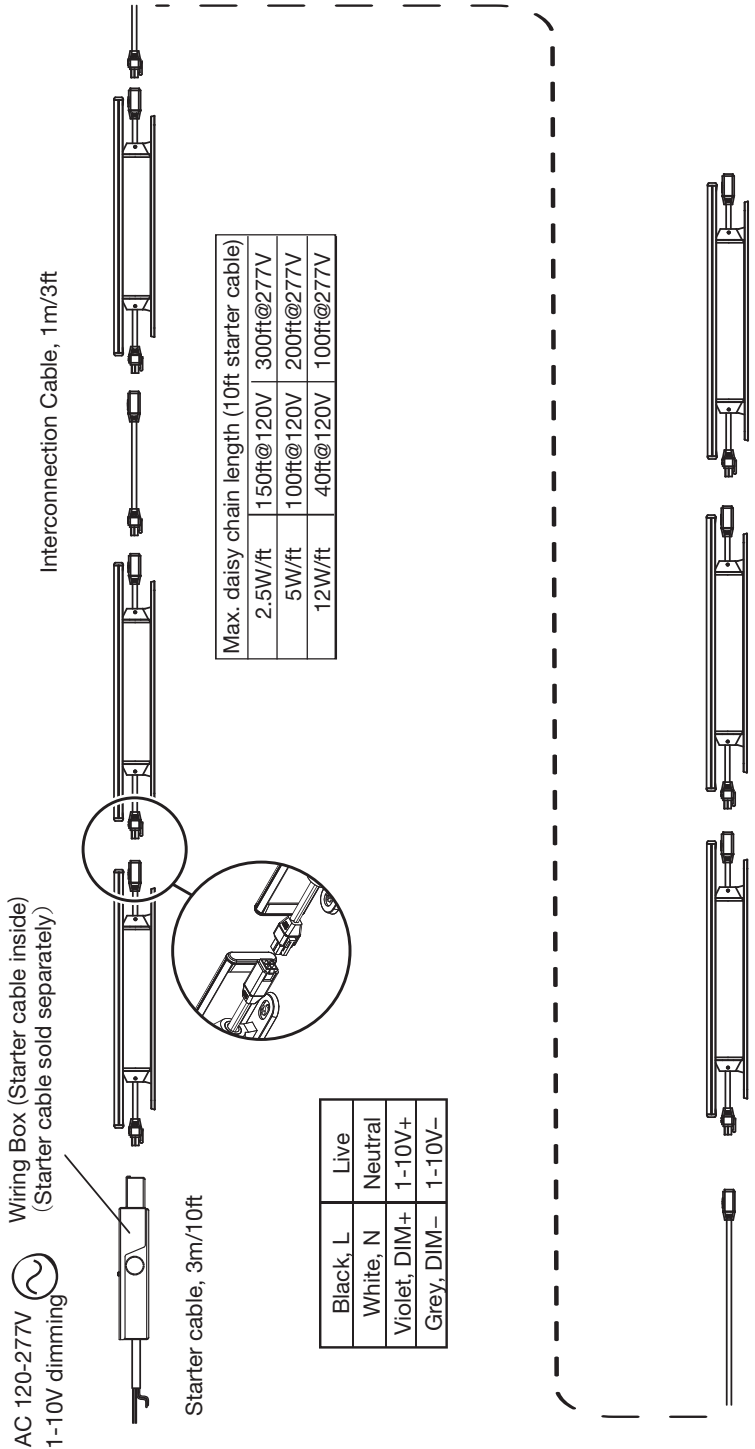


- ① Rotate fixture to gain access to mounting holes. Fix screws to mounting brackets.



- ② Rotate fixture to the intended position for permanent installation and lock unit using hex key. Do not over-tighten.







Cove Light AC DIM GII

Ordering

Model Number

MB	CC	N	0	1	NN	N	N
		Length	Dimming	Certification	CCT	Beam Angle	Version
		1: 1ft (12")	0: 1-10V	1: ETL 120V/277V	30: 3000K	1: 60° × 10°	2: 5W/ft
		4: 4ft (48")			35: 3500K	3: 60° × 30°	5: 12W/ft
					40: 4000K		

Fixtures 120V / 277V 5W/ft 60° × 10°

Model No.	Description	Item Code
MB.CC.1013012	COVELIGHT AC DIM GII 5W 3000K 60° × 10° 120V/277V ETL, 1-10V DIM, 1ft	AM058820055
MB.CC.1013512	COVELIGHT AC DIM GII 5W 3500K 60° × 10° 120V/277V ETL, 1-10V DIM, 1ft	AM058830055
MB.CC.1014012	COVELIGHT AC DIM GII 5W 4000K 60° × 10° 120V/277V ETL, 1-10V DIM, 1ft	AM058840055
MB.CC.4013012	COVELIGHT AC DIM GII 19W 3000K 60° × 10° 120V/277V ETL, 1-10V DIM, 4ft	AM058700055
MB.CC.4013512	COVELIGHT AC DIM GII 19W 3500K 60° × 10° 120V/277V ETL, 1-10V DIM, 4ft	AM058710055
MB.CC.4014012	COVELIGHT AC DIM GII 19W 4000K 60° × 10° 120V/277V ETL, 1-10V DIM, 4ft	AM058740055

Fixtures 120V / 277V 5W/ft 60° × 30°

Model No.	Description	Item Code
MB.CC.1013032	COVELIGHT AC DIM GII 5W 3000K 60° × 30° 120V/277V ETL, 1-10V DIM, 1ft	AM058860055
MB.CC.1013532	COVELIGHT AC DIM GII 5W 3500K 60° × 30° 120V/277V ETL, 1-10V DIM, 1ft	AM058870055
MB.CC.1014032	COVELIGHT AC DIM GII 5W 4000K 60° × 30° 120V/277V ETL, 1-10V DIM, 1ft	AM058880055
MB.CC.4013032	COVELIGHT AC DIM GII 19W 3000K 60° × 30° 120V/277V ETL, 1-10V DIM, 4ft	AM058760055
MB.CC.4013532	COVELIGHT AC DIM GII 19W 3500K 60° × 30° 120V/277V ETL, 1-10V DIM, 4ft	AM058730055
MB.CC.4014032	COVELIGHT AC DIM GII 19W 4000K 60° × 30° 120V/277V ETL, 1-10V DIM, 4ft	AM058720055



Cove Light AC DIM GII

Ordering

Fixtures 120V / 277V 12W/ft 60° × 10°

Model No.	Description	Item Code
MB.CC.1013015	COVELIGHT AC DIM GII 12W 3000K 60° × 10° 120V/277V ETL, 1-10V DIM, 1ft	AM262530055
MB.CC.1013515	COVELIGHT AC DIM GII 12W 3500K 60° × 10° 120V/277V ETL, 1-10V DIM, 1ft	AM262540055
MB.CC.1014015	COVELIGHT AC DIM GII 12W 4000K 60° × 10° 120V/277V ETL, 1-10V DIM, 1ft	AM262550055
MB.CC.4013015	COVELIGHT AC DIM GII 48W 3000K 60° × 10° 120V/277V ETL, 1-10V DIM, 4ft	AM262650055
MB.CC.4013515	COVELIGHT AC DIM GII 48W 3500K 60° × 10° 120V/277V ETL, 1-10V DIM, 4ft	AM262660055
MB.CC.4014015	COVELIGHT AC DIM GII 48W 4000K 60° × 10° 120V/277V ETL, 1-10V DIM, 4ft	AM262670055

Accessories

Model No.	Description	Item Code
MB.AC.0501100	Cove Light AC DIM GII Starter Cable 4-wire UL, 3m/9.8ft	AB440080055
MB.AC.0501200	Cove Light AC DIM GII Interconnection Cable 4-wire UL, 1m/3.3ft	AB440110055
N/A	COVE LIGHT AC WIRING BOX (Box only)	AM335500055

Our Brands



©2020 TRAXON TECHNOLOGIES - AN OSRAM BUSINESS. ALL RIGHTS RESERVED. TRAXON™, TX CONNECT®, ARE TRADEMARKS OF TRAXON TECHNOLOGIES. U.S. PATENTS, E.U. PATENTS, JAPAN PATENTS, OTHER PATENTS PENDING. SPECIFICATIONS ARE SUBJECT TO CHANGE WITHOUT NOTICE.