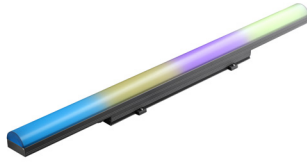


Project: \_\_\_\_\_  
 Type: \_\_\_\_\_



## ProPoint Kontour Round Wide RGB

The Traxon ProPoint Kontour is an AC line powered exterior luminaire used to distinguish facades, walls, and architectural borders with a concentrated, even radiance. ProPoint Kontour's compact, lowprofile design is available in four lengths, two widths and is combined with a clip mounting system for efficient installation.



### Product Specifications

	300mm / 12"	600mm / 24"	1200mm / 48"	2400mm / 96"
<b>Model</b>	Kontour Round Wide			
<b>Light Source</b>	RGB			
<b>LED Quantity</b>	RGB x 30pcs	RGB x 60pcs	RGB x 120pcs	RGB x 240pcs
<b>Pixel Options</b>	1PXL	1PXL or 2PXL	1PXL, 2PXL or 4PXL	1PXL, 2PXL, 4PXL or 8PXL
<b>Beam Angle</b>	100° x 125°			
<b>Luminous Flux</b>	102 lm	205 lm	410 lm	817 lm
<b>Efficacy</b>	20 lm/W			
<b>Lumen Maintenance</b>	L70 @25°C 81,000hrs			
<b>Cover Lens</b>	Round diffused UV stable acrylic			
<b>Housing</b>	Extruded aluminum			
<b>Housing Finish Options</b>	Gray (RAL7015), Black (RAL9005), White (RAL9003)			
<b>Mounting</b>	Low Profile Mounting Brackets (x2 per length)			
<b>Dimensions (L)</b>	300mm / 11.8"	600mm / 23.6"	1200mm / 47.2"	2400mm / 94.5"
<b>(W x H)</b>	75mm x 89.4mm / 3" x 3.5"			
<b>Weight</b>	1.35 kg / 2.98 lbs.	1.86 kg / 4.10 lbs.	3.11 kg / 6.86 lbs.	5.42 kg / 11.95 lbs.
<b>EPA (sq.ft)</b>	<b>Front</b>	0.078		
	<b>Side</b>	0.392	0.630	1.173
	<b>Front 45°</b>	0.2771	0.4454	0.8293
<b>Regulatory Listing &amp; Safety Approval</b>	cETLus,FCC, RoHs, ASTM B117-16, ANSI 3G, IK07			
<b>Operating Temperature</b>	-30°C to +55°C / -22°F to +131°F			
<b>Storage Temperature</b>	-40°C to +80°C / -40°F to +176°F			
<b>Environment</b>	Outdoor (IP66), suitable for coastal environments			
<b>Humidity</b>	85%, non-condensing			

### Electrical Specifications

<b>Input Voltage</b>	120-277V AC 50/60Hz			
<b>Power Consumption</b>	5W	10W	20W	40W
<b>Power Factor</b>	≥ 0.9			

### System Specifications

<b>Control</b>	DMX 512
<b>Power Supply</b>	Integral
<b>Addressing Options</b>	Auto-Addressed with Data Injector
<b>Pixel Control</b>	Standard luminaire controlled by 300mm / 12". Factory configurable pixel control on request, check with your local sales office for more information.

**LED CHARACTERISTICS** Because LEDs are semiconductor devices, their performances are subject to inherent variability commonly found in semiconductor industry. To improve consistency in performance across the same product, LED manufacturers "sort" LEDs into bins according to different preset parameters, such as forward driving voltage, illumination, etc. Whereas binning is a sorting function, it is not a correction process. Inherent variability in the manufacturing process results always in different binning distributions according to different production lots. Traxon uses automatically binned LEDs on its products, thereby minimizing output variations within the model range.

As with all electronic devices, LED output degrades over time – a term called lumen depreciation. This also explains why it is nearly impossible to expect photometric performances of two LED products with different service life spans to be the same. The rate of LED degrade is a complicate function of many factors such as operating efficiency, duration of continuous operation, and more significantly, environmental conditions (ambient temperature for example). If allowed working under optimal operating temperature range and with good ventilation, LED devices enjoy long service lives over conventional light sources. When using/installing LED devices, care should be taken to ensure that the devices will operate within the operating conditions specified in respective product literature.

Lumen measurement complies with LM-79-08 standard.  
 Lumen maintenance is calculated based on LM-80 compliant measurement.

[www.traxontechnologies.com](http://www.traxontechnologies.com) | [www.osram.us/traxon](http://www.osram.us/traxon)

©2021 TRAXON TECHNOLOGIES - AN OSRAM BUSINESS. ALL RIGHTS RESERVED. TRAXON™, TX CONNECT®, ARE TRADEMARKS OF TRAXON TECHNOLOGIES. U.S. PATENTS, E.U. PATENTS, JAPAN PATENTS, OTHER PATENTS PENDING. SPECIFICATIONS ARE SUBJECT TO CHANGE WITHOUT NOTICE.

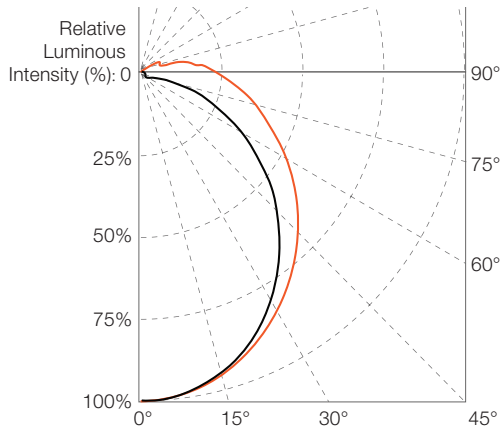
# ProPoint Kontour Round Wide RGB

## Photometrics

### Source Specifications

Optics 100° x 125°

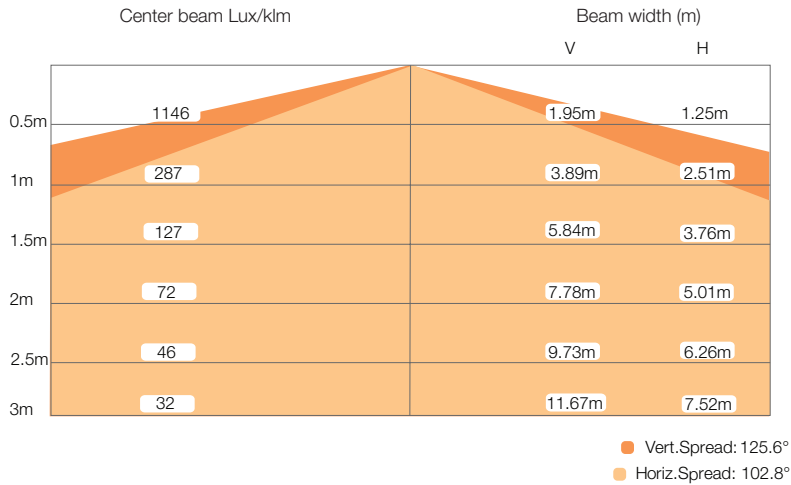
### Candela Distribution



### Light Output

Color	Luminous Flux (lm)	Efficacy (lm/W)
<b>300mm / 12"</b>		
RGB (full-on)	102.2	19.7
Red	26.5	12.6
Green	63.1	29.9
Blue	12.9	6.1
<b>600mm / 24"</b>		
RGB (full-on)	204.9	19.8
Red	53.2	12.7
Green	126.3	29.9
Blue	25.8	6.1
<b>1200mm / 48"</b>		
RGB (full-on)	409.7	19.8
Red	106.4	12.7
Green	252.7	29.9
Blue	51.6	6.1
<b>2400mm / 96"</b>		
RGB (full-on)	816.8	19.7
Red	211.2	12.6
Green	504.6	30.4
Blue	103.4	6.1

### Illuminance at a Distance



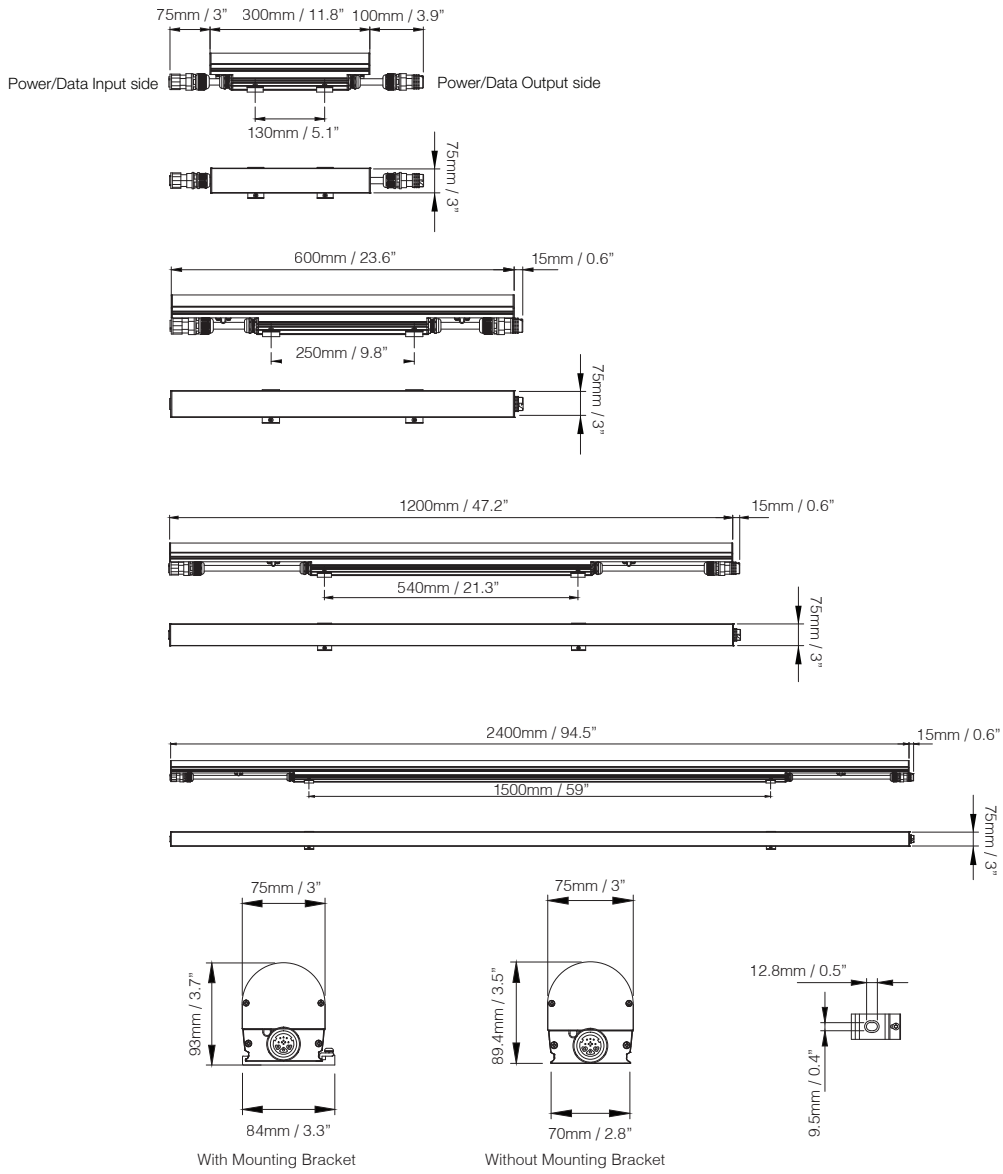
For fc (foot candle) divide by 10.7

For feet multiply by 3.28

IES and LDT files are available for download from the Traxon website.

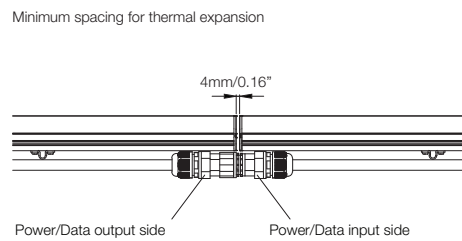
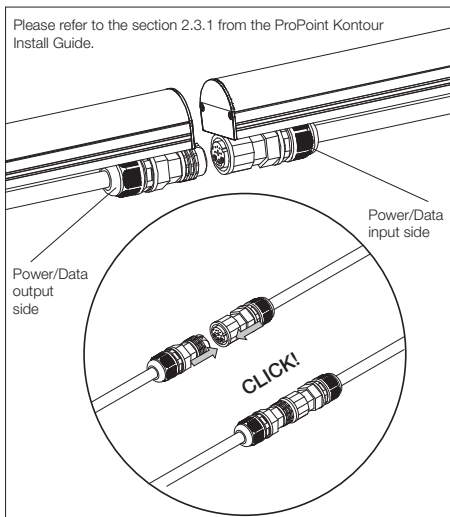
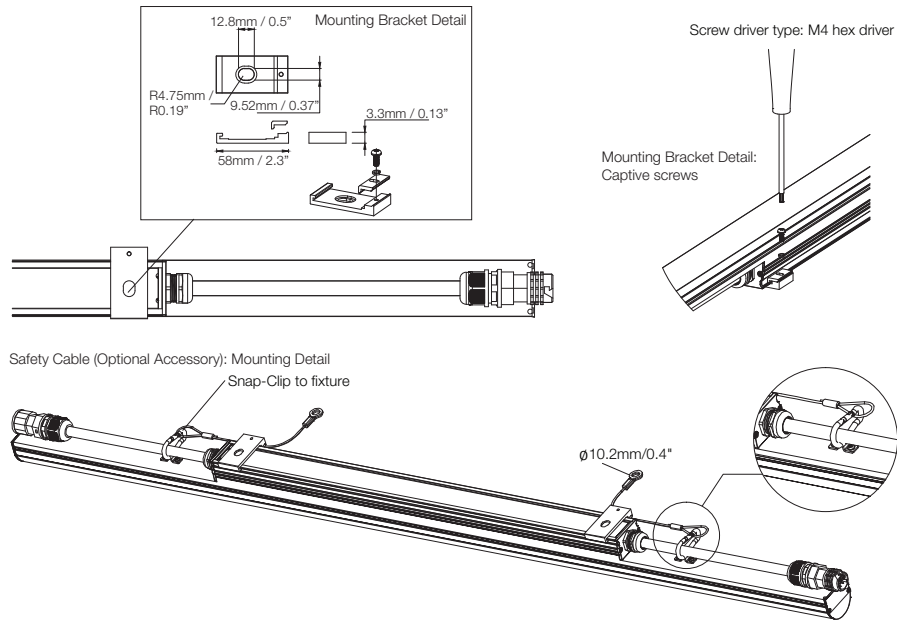
# ProPoint Kontour Round Wide RGB

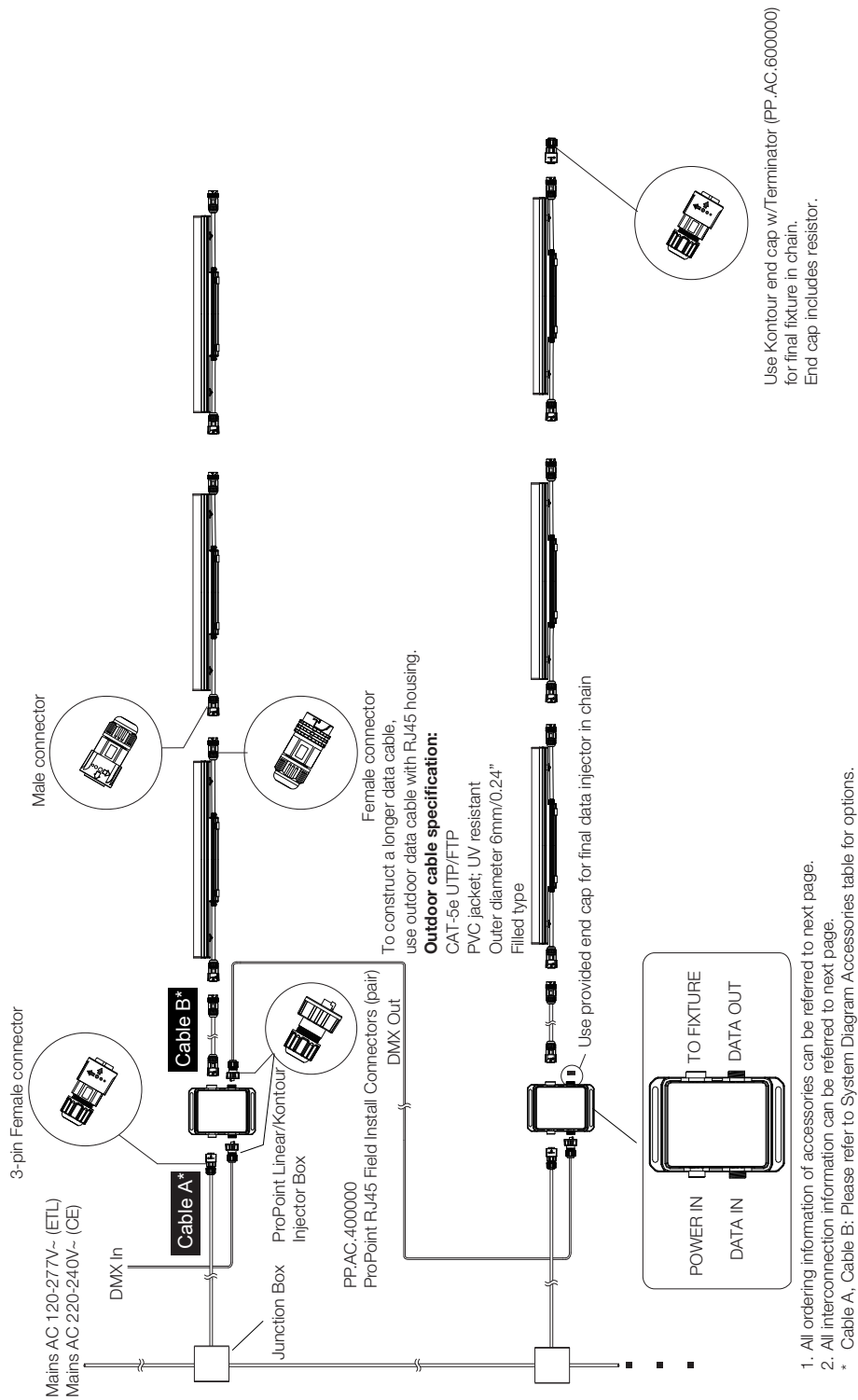
## Dimensions



# ProPoint Kontour Round Wide RGB

## Mounting





# ProPoint Kontour Round Wide RGB

## System Diagram

### Wiring Information Details

#### ProPoint Kontour Wide -ETL

##### 120V

Model	Power Consumption (Typ.)	Input Voltage	Max Connected Chain
300mm / 12"	5W	120V	344
600mm / 24"	10W	120V	172
1200mm / 48"	20W	120V	86
2400mm / 96"	40W	120V	43

##### 220V-240V

Model	Power Consumption (Typ.)	Input Voltage	Max Connected Chain
300mm / 12"	5W	220-240V	512
600mm / 24"	10W	220-240V	320
1200mm / 48"	20W	220-240V	150
2400mm / 96"	40W	220-240V	80

##### 277V

Model	Power Consumption (Typ.)	Input Voltage	Max Connected Chain
300mm / 12"	5W	277V	512
600mm / 24"	10W	277V	400
1200mm / 48"	20W	277V	200
2400mm / 96"	40W	277V	100

#### Accessories (ETL / CE)

Model No.	Description	Item Code
PP.AC.100001	ProPoint Linear/Kontour Injector Box	AM374890055
PP.AC.100002	ProPoint Linear/Kontour Injector Box BL	AM374900055
PP.AC.100003	ProPoint Linear/Kontour Injector Box WT	AM374910055
PP.AC.600000	PP LIN/KON End Cap W / TERM.	AM380550055
PP.AC.400000	ProPoint RJ45 Field Install Connectors (pair)	AM380560055

#### Accessories (ETL)

Cable Type	Model No.	Description	Item Code
Cable A*	PP.A1.303000	3M PP Linear Power Input Cable ETL	AM374840155
Cable B*	KO.KA.610000	10M Kontour PWR/DATA INT CBL ETL	AM357520055
Cable B*	KO.KA.601000	1M Kontour PWR/DATA INT CBL ETL	AM357490055
Cable B*	KO.KA.602000	2M Kontour PWR/DATA INT CBL ETL	AM357500055
Cable B*	KO.KA.603000	3M Kontour PWR/DATA INT CBL ETL	AM357510055

\* All cables come pre-wired with male / female connectors.

# ProPoint Kontour Round Wide RGB

Ordering

## Model Number

KXX	.	3	.	9	A	0	4	2	.	X	.	XX
Kontour Length	Width	Control	Color	CCT	Approbation	Lens			Finish	Pixel Config		
K1L: 12"	3: Wide	9: DMX	A: RGB		4: cETLus	2: Diffused Round Lens			1: Gray	01: 1PXL		
K2L: 24"									2: Black	02: 2PXL		
K4L: 48"									3: White	04: 4PXL		
K8L: 96"										08: 8PXL		

## \*Abbreviations in Description

WD: Wide      NW: Narrow      R: Round      BL: Black      WT: White

## Fixtures

Model No.	Description	Item Code
<b>K1L.3.9A0421.01</b>	ProPoint Kontour R 12" WD RGB 1PXL ETL	AM405630055
<b>K2L.3.9A0421.01</b>	ProPoint Kontour R 24" WD RGB 1PXL ETL	AM405650055
<b>K2L.3.9A0421.02</b>	ProPoint Kontour R 24" WD RGB 2PXL ETL	AM406410055
<b>K4L.3.9A0421.01</b>	ProPoint Kontour R 48" WD RGB 1PXL ETL	AM405670055
<b>K4L.3.9A0421.04</b>	ProPoint Kontour R 48" WD RGB 4PXL ETL	AM406430055
<b>K8L.3.9A0421.01</b>	ProPoint Kontour R 96" WD RGB 1PXL ETL	AM405690055
<b>K8L.3.9A0421.08</b>	ProPoint Kontour R 96" WD RGB 8PXL ETL	AM406450055
<b>K1L.3.9A0422.01</b>	ProPoint Kontour R 12" WD RGB 1PXL BL ETL	AM405710055
<b>K2L.3.9A0422.01</b>	ProPoint Kontour R 24" WD RGB 1PXL BL ETL	AM405730055
<b>K2L.3.9A0422.02</b>	ProPoint Kontour R 24" WD RGB 2PXL BL ETL	AM406470055
<b>K4L.3.9A0422.01</b>	ProPoint Kontour R 48" WD RGB 1PXL BL ETL	AM405750055
<b>K4L.3.9A0422.04</b>	ProPoint Kontour R 48" WD RGB 4PXL BL ETL	AM406490055
<b>K8L.3.9A0422.01</b>	ProPoint Kontour R 96" WD RGB 1PXL BL ETL	AM405770055
<b>K8L.3.9A0422.08</b>	ProPoint Kontour R 96" WD RGB 8PXL BL ETL	AM406510055
<b>K1L.3.9A0423.01</b>	ProPoint Kontour R 12" WD RGB 1PXL WT ETL	AM405790055
<b>K2L.3.9A0423.01</b>	ProPoint Kontour R 24" WD RGB 1PXL WT ETL	AM405810055
<b>K2L.3.9A0423.02</b>	ProPoint Kontour R 24" WD RGB 2PXL WT ETL	AM406530055
<b>K4L.3.9A0423.01</b>	ProPoint Kontour R 48" WD RGB 1PXL WT ETL	AM405830055
<b>K4L.3.9A0423.04</b>	ProPoint Kontour R 48" WD RGB 4PXL WT ETL	AM406550055
<b>K8L.3.9A0423.01</b>	ProPoint Kontour R 96" WD RGB 1PXL WT ETL	AM405850055
<b>K8L.3.9A0423.08</b>	ProPoint Kontour R 96" WD RGB 8PXL WT ETL	AM406570055

## ProPoint Kontour Round Wide RGB

Ordering

### Accessories (ETL / CE)

Model No.	Description	Item Code
PP.AC.100001	ProPoint Linear/Kontour Injector Box	AM374890055
PP.AC.100002	ProPoint Linear/Kontour Injector Box BL	AM374900055
PP.AC.100003	ProPoint Linear/Kontour Injector Box WT	AM374910055
PP.AC.600000	PP LIN/KON End Cap W / TERM.	AM380550055
PP.AC.400000	ProPoint RJ45 Field Install Connectors (pair)	AM380560055

### Accessories (ETL)

Model No.	Description	Item Code
PP.A1.303000	3M PP Linear Power Input Cable ETL	AM374840155
KO.KA.610000	10M Kontour PWR/DATA INT CBL ETL	AM357520055
KO.KA.601000	1M Kontour PWR/DATA INT CBL ETL	AM357490055
KO.KA.602000	2M Kontour PWR/DATA INT CBL ETL	AM357500055
KO.KA.603000	3M Kontour PWR/DATA INT CBL ETL	AM357510055

### Accessories (Optional)

Model No.	Description	Item Code
KO.AA.900010	Kontour Safety Cable 0.25M (10")	AM403000055

Our Brands

traxon e:cue

OSRAM

©2021 TRAXON TECHNOLOGIES - AN OSRAM BUSINESS. ALL RIGHTS RESERVED. TRAXON™, TX CONNECT®, ARE TRADEMARKS OF TRAXON TECHNOLOGIES. U.S. PATENTS, E.U. PATENTS, JAPAN PATENTS, OTHER PATENTS PENDING. SPECIFICATIONS ARE SUBJECT TO CHANGE WITHOUT NOTICE.