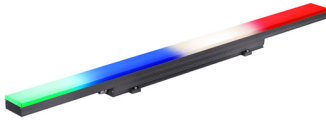


Project: _____

Type: _____



ProPoint Kontour Wide RGBW

Traxon Kontour is an AC line powered exterior luminaire used to distinguish facades, walls, and architectural borders with a concentrated, even radiance. ProPoint Kontour's compact, lowprofile design is available in four lengths, two widths and is combined with a clip mounting system for efficient installation.



Product Specifications

	300mm / 12"	600mm / 24"	1200mm / 48"	2400mm / 96"
Model	Kontour Wide			
Light Source	RGBW (White CCT: 4000K)			
LED Quantity	RGBW / 4-in-1 LED cluster x 30pcs	RGBW / 4-in-1 LED cluster x 60pcs	RGBW / 4-in-1 LED cluster x 120pcs	RGBW / 4-in-1 LED cluster x 240pcs
Beam Angle	120°			
Luminous Flux	165 lm	330 lm	646 lm	1329 lm
Efficacy	31 lm/W			
Lumen Maintenance	L70 @25°C -81,000hrs			
Cover Lens	Diffused UV stable acrylic			
Housing	Extruded Aluminum			
Housing Finish Options	Gray (RAL7015), Black (RAL9005), White (RAL9003)			
Mounting	Low Profile Mounting Brackets (x2 per length)			
Dimensions (L)	300mm / 11.8"	600mm / 23.6"	1200mm / 47.2"	2400mm / 94.5"
(W x H)	75mm x 66mm / 3" x 2.6"			
Weight	1.1 kg / 2.4 lbs.	1.5 kg / 3.3 lbs.	2.30 kg / 5.1 lbs.	4 kg / 8.8 lbs.
EPA (sq.ft)	Front	0.056		
	Side	0.290	0.467	0.869
	Front 45°	0.2050	0.3302	0.6144
Regulatory Listing & Safety Approval	cETLus,FCC, RoHs, ASTM B117-16, ANSI 3G, IK07			
Operating Temperature	-30°C to +55°C / -22°F to +131°F			
Storage Temperature	-40°C to +80°C / -40°F to +176°F			
Environment	Outdoor (IP66), suitable for coastal environments			
Humidity	85%, non-condensing			

Electrical Specifications

Input Voltage	120-277Vac 50/60Hz			
Power Consumption	5W	10W	20W	40W
Power Factor	≥ 0.9			

System Specifications

Control	DMX 512
Power Supply	Integral
Addressing Options	Auto-Addressed with Data Injector
Pixel Control	Standard luminaire controlled by 12" / 300mm. Factory set to other pixel configurations on request.

LED CHARACTERISTICS Because LEDs are semiconductor devices, their performances are subject to inherent variability commonly found in semiconductor industry. To improve consistency in performance across the same product, LED manufacturers "sort" LEDs into bins according to different preset parameters, such as forward driving voltage, illumination, etc. Whereas binning is a sorting function, it is not a correction process. Inherent variability in the manufacturing process results always in different binning distributions according to different production lots. Traxon uses automatically binned LEDs on its products, thereby minimizing output variations within the model range.

As with all electronic devices, LED output degrades over time – a term called lumen depreciation. This also explains why it is nearly impossible to expect photometric performances of two LED products with different service life spans to be the same. The rate of LED degrade is a complicate function of many factors such as operating efficiency, duration of continuous operation, and more significantly, environmental conditions (ambient temperature for example). If allowed working under optimal operating temperature range and with good ventilation, LED devices enjoy long service lives over conventional light sources. When using/installing LED devices, care should be taken to ensure that the devices will operate within the operating conditions specified in respective product literature.

Lumen measurement complies with LM-79-08 standard.
Lumen maintenance is calculated based on LM-80 compliant measurement.

www.traxontechnologies.com | www.osram.us/traxon

©2021 TRAXON TECHNOLOGIES - AN OSRAM BUSINESS. ALL RIGHTS RESERVED. TRAXON™, TX CONNECT®, ARE TRADEMARKS OF TRAXON TECHNOLOGIES. U.S. PATENTS, E.U. PATENTS, JAPAN PATENTS, OTHER PATENTS PENDING. SPECIFICATIONS ARE SUBJECT TO CHANGE WITHOUT NOTICE.

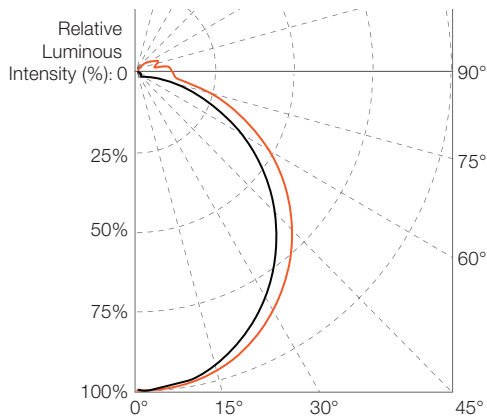
ProPoint Kontour Wide RGBW

Photometrics

Source Specifications

Optics	120°
--------	------

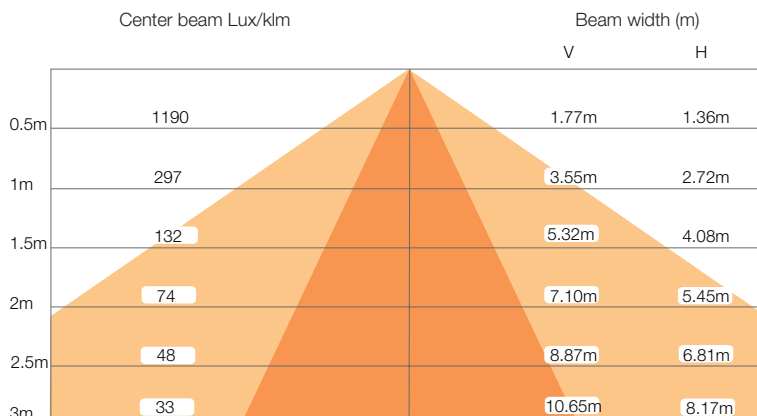
Candela Distribution



Light Output

Color	Luminous Flux (lm)	Efficacy (lm/W)
300mm / 12"		
RGBW (full-on)	165.59	31.1
RGB	110.8	26.6
Red	25.72	14.2
Green	70.13	39.5
Blue	15.11	8.5
White	54.41	30.8
600mm / 24"		
RGBW (full-on)	330.92	30.0
RGB	221.67	26.6
Red	51.5	14.5
Green	140.29	39.4
Blue	30.18	8.5
White	108.86	30.5
1200mm / 48"		
RGBW (full-on)	646.9	30.3
RGB	422.9	25.4
Red	97.88	13.9
Green	272.6	38.7
Blue	56.54	8.0
White	219.7	31.2
2400mm / 96"		
RGBW (full-on)	1329.6	31.2
RGB	890.4	26.8
Red	208.07	14.6
Green	562.08	40.0
Blue	120.49	8.4
White	436.48	30.3

Illuminance at a Distance



- Vert. Spread: 107.4°
- Horiz. Spread: 121.2°

For fc divide by 10.7

For feet multiply by 3.28

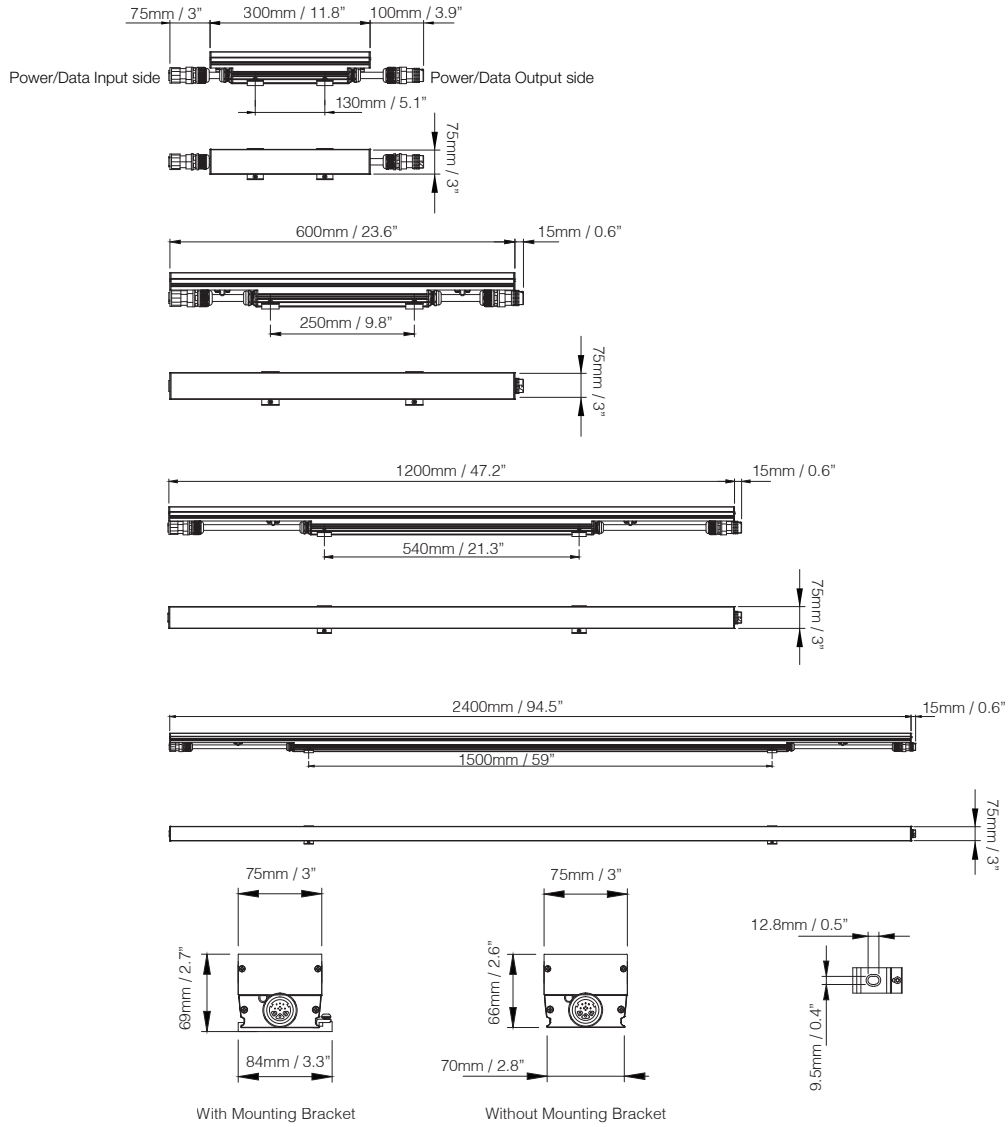
IES and LDT files are available for download from the Traxon website.

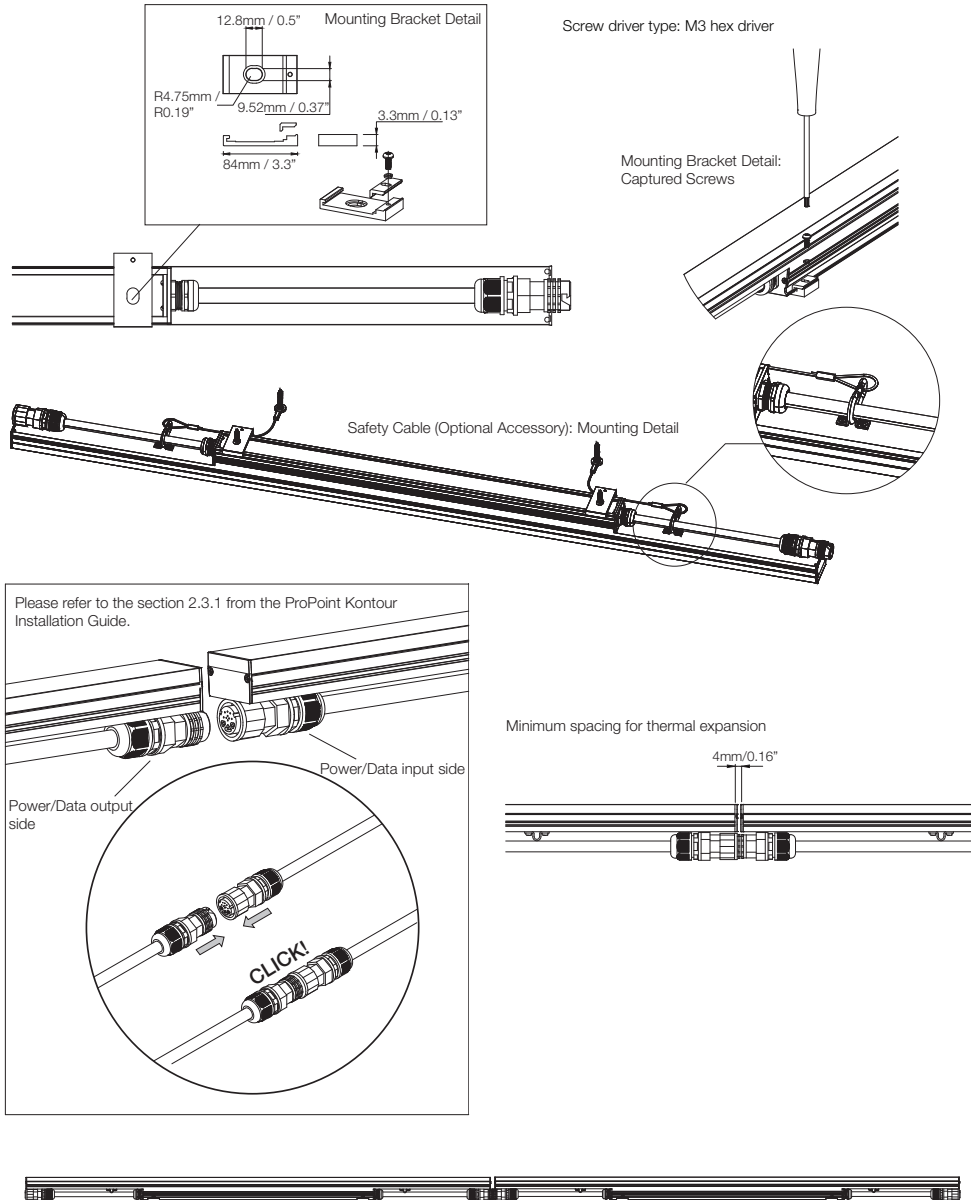
www.traxontechnologies.com | www.osram.us/traxon

©2021 TRAXON TECHNOLOGIES - AN OSRAM BUSINESS. ALL RIGHTS RESERVED. TRAXON™, TX CONNECT®, ARE TRADEMARKS OF TRAXON TECHNOLOGIES. U.S. PATENTS, E.U. PATENTS, JAPAN PATENTS, OTHER PATENTS PENDING. SPECIFICATIONS ARE SUBJECT TO CHANGE WITHOUT NOTICE.

ProPoint Kontour Wide RGBW

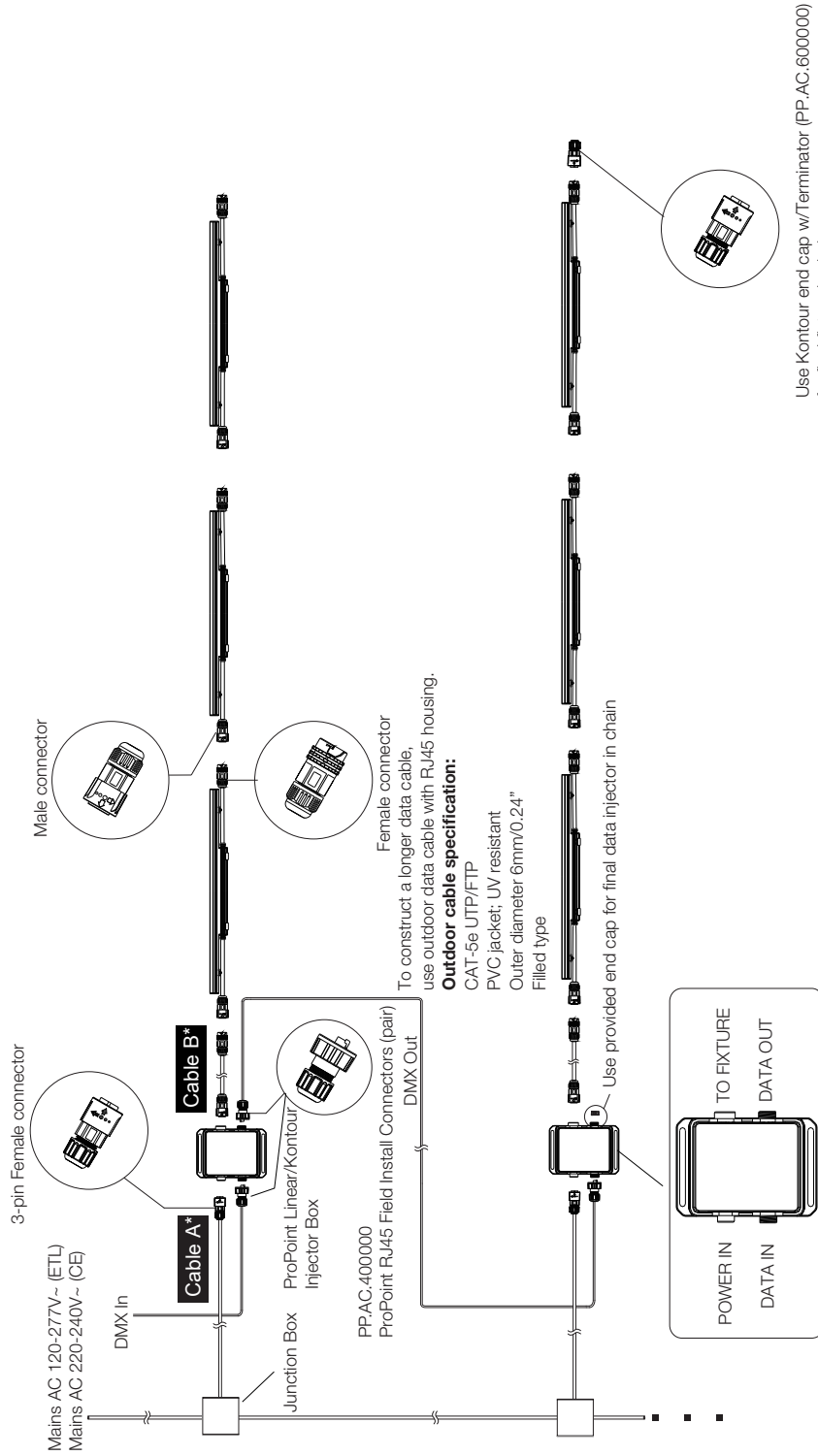
Dimensions





ProPoint Kontour Wide RGBW

System Diagram



1. All ordering information of accessories can be referred to next page.
 2. All interconnection information can be referred to next page.
- * Cable A, Cable B: Please refer to System Diagram Accessories table for options.

ProPoint Kontour Wide RGBW

System Diagram

Wiring Information Details

ProPoint Kontour Wide -ETL

120V

Model	Power Consumption (Typ.)	Input Voltage	Max Connected Chain
300mm / 12"	5W	120V	344
600mm / 24"	10W	120V	172
1200mm / 48"	20W	120V	86
2400mm / 96"	40W	120V	43

220V-240V

Model	Power Consumption (Typ.)	Input Voltage	Max Connected Chain
300mm / 12"	5W	220-240V	512
600mm / 24"	10W	220-240V	320
1200mm / 48"	20W	220-240V	150
2400mm / 96"	40W	220-240V	80

277V

Model	Power Consumption (Typ.)	Input Voltage	Max Connected Chain
300mm / 12"	5W	277V	512
600mm / 24"	10W	277V	400
1200mm / 48"	20W	277V	200
2400mm / 96"	40W	277V	100

Accessories (ETL / CE)

Model No.	Description	Item Code
PP.AC.100001	PROPOINT LINEAR/KONTOUR INJECTOR BOX	AM374890055
PP.AC.100002	PROPOINT LINEAR/KONTOUR INJECTOR BOX BL	AM374900055
PP.AC.100003	PROPOINT LINEAR/KONTOUR INJECTOR BOX WT	AM374910055
PP.AC.600000	PP LIN/KON END CAP W/ TERM.	AM380550055
PP.AC.400000	PROPOINT RJ45 FIELD INSTALL CONNECTORS (PAIR)	AM380560055

Accessories (ETL)

Cable Type	Model No.	Description	Item Code
Cable A*	PP.A1.303000	3M PP LINEAR POWER INPUT CABLE ETL	AM374840155
Cable B*	KO.KA.610000	10M KONTOUR PWR/DATA INT CBL ETL	AM357520055
Cable B*	KO.KA.601000	1M KONTOUR PWR/DATA INT CBL ETL	AM357490055
Cable B*	KO.KA.602000	2M KONTOUR PWR/DATA INT CBL ETL	AM357500055
Cable B*	KO.KA.603000	3M KONTOUR PWR/DATA INT CBL ETL	AM357510055

* All cables come pre-wired with male / female connectors.

ProPoint Kontour Wide RGBW

Ordering

Model Number

KXX	.	3	.	9	.	4	.	4	.	4	.	1	.	X	.	XX	
Kontour Length	Width	Control	Color	CCT	Approbation	Lens	Finish	Pixel Config									
K1L: 1'	3: 75mm/3"	9: DMX	4: RGBW	4: 4000K	4: cETLus	1: Diffused Lens	1: Gray	01: 1PXL									
K2L: 2'							2: Black	02: 2PXL									
K4L: 4'							3: White	04: 4PXL									
K8L: 8'									08: 8PXL								

*Abbreviations in Description

WD: Wide NW: Narrow F: Flat BL: Black WT: White

Fixtures

Model No.	Description	Item Code
K1L.3.944411.01	PROPOINT KONTOUR F 12" WD RGBW 1PXL ETL	AM395300055
K2L.3.944411.01	PROPOINT KONTOUR F 24" WD RGBW 1PXL ETL	AM395320055
K2L.3.944411.02	PROPOINT KONTOUR F 24" WD RGBW 2PXL ETL	AM394750055
K4L.3.944411.01	PROPOINT KONTOUR F 48" WD RGBW 1PXL ETL	AM395340055
K4L.3.944411.04	PROPOINT KONTOUR F 48" WD RGBW 4PXL ETL	AM394770055
K8L.3.944411.01	PROPOINT KONTOUR F 96" WD RGBW 1PXL ETL	AM395360055
K8L.3.944411.08	PROPOINT KONTOUR F 96" WD RGBW 8PXL ETL	AM394790055
K1L.3.944412.01	PROPOINT KONTOUR F 12" WD RGBW 1PXL BL ETL	AM395380055
K2L.3.944412.01	PROPOINT KONTOUR F 24" WD RGBW 1PXL BL ETL	AM395400055
K2L.3.944412.02	PROPOINT KONTOUR F 24" WD RGBW 2PXL BL ETL	AM394810055
K4L.3.944412.01	PROPOINT KONTOUR F 48" WD RGBW 1PXL BL ETL	AM395420055
K4L.3.944412.04	PROPOINT KONTOUR F 48" WD RGBW 4PXL BL ETL	AM394830055
K8L.3.944412.01	PROPOINT KONTOUR F 96" WD RGBW 1PXL BL ETL	AM395440055
K8L.3.944412.08	PROPOINT KONTOUR F 96" WD RGBW 8PXL BL ETL	AM394850055
K1L.3.944413.01	PROPOINT KONTOUR F 12" WD RGBW 1PXL WT ETL	AM395460055
K2L.3.944413.01	PROPOINT KONTOUR F 24" WD RGBW 1PXL WT ETL	AM395480055
K2L.3.944413.02	PROPOINT KONTOUR F 24" WD RGBW 2PXL WT ETL	AM394870055
K4L.3.944413.01	PROPOINT KONTOUR F 48" WD RGBW 1PXL WT ETL	AM395500055
K4L.3.944413.04	PROPOINT KONTOUR F 48" WD RGBW 4PXL WT ETL	AM394890055
K8L.3.944413.01	PROPOINT KONTOUR F 96" WD RGBW 1PXL WT ETL	AM395520055
K8L.3.944413.08	PROPOINT KONTOUR F 96" WD RGBW 8PXL WT ETL	AM394910055

ProPoint Kontour Wide RGBW

Ordering

Accessories (ETL / CE)

Model No.	Description	Item Code
PP.AC.100001	PROPOINT LINEAR/KONTOUR INJECTOR BOX	AM374890055
PP.AC.100002	PROPOINT LINEAR/KONTOUR INJECTOR BOX BL	AM374900055
PP.AC.100003	PROPOINT LINEAR/KONTOUR INJECTOR BOX WT	AM374910055
PP.AC.600000	PP LIN/KON END CAP W/ TERM.	AM380550055
PP.AC.400000	PROPOINT RJ45 FIELD INSTALL CONNECTORS (PAIR)	AM380560055

Accessories (ETL)

Model No.	Description	Item Code
PP.A1.303000	3M PP LINEAR POWER INPUT CABLE ETL	AM374840155
KO.KA.610000	10M KONTOUR PWR/DATA INT CBL ETL	AM357520055
KO.KA.601000	1M KONTOUR PWR/DATA INT CBL ETL	AM357490055
KO.KA.602000	2M KONTOUR PWR/DATA INT CBL ETL	AM357500055
KO.KA.603000	3M KONTOUR PWR/DATA INT CBL ETL	AM357510055

Accessories (Optional)

Model No.	Description	Item Code
KO.AA.900010	KONTOUR SAFETY CABLE 0.25M (10")	AM403000055

Our Brands

traxon **etcue**
www.traxontechnologies.com | www.osram.us/traxon

OSRAM

©2021 TRAXON TECHNOLOGIES - AN OSRAM BUSINESS. ALL RIGHTS RESERVED. TRAXON™, TX CONNECT®, ARE TRADEMARKS OF TRAXON TECHNOLOGIES. U.S. PATENTS, E.U. PATENTS, JAPAN PATENTS, OTHER PATENTS PENDING. SPECIFICATIONS ARE SUBJECT TO CHANGE WITHOUT NOTICE.