

Project: \_\_\_\_\_  
 Type: \_\_\_\_\_



## ProPoint Kontour Wide White

Traxon Kontour is an AC line powered exterior luminaire used to distinguish facades, walls, and architectural borders with a concentrated, even radiance. ProPoint Kontour's compact, lowprofile design is available in four lengths, two widths and is combined with a clip mounting system for efficient installation.



### Product Specifications

	300mm / 12"	600mm / 24"	1200mm / 48"	2400mm / 96"
<b>Model</b>	Kontour Wide			
<b>Light Source</b>	3000K / 4000K Standard, 2200K, 2700K, 3500K, 5000K, 6500K, Red, Green, Blue, Amber available <sup>1</sup>			
<b>LED Quantity</b>	White / color x 60pcs	White / color x 120pcs	White / color x 240pcs	White / color x 480pcs
<b>Beam Angle</b>	120°			
<b>Luminous Flux (3000K)</b>	454 lm	911 lm	1774 lm	3637 lm
<b>(4000K)</b>	461 lm	923 lm	1849 lm	3701 lm
<b>Efficacy</b>	88lm / W (3000K) 93lm / W (4000K)			
<b>Lumen Maintenance</b>	L70 @25°C -81,000hrs			
<b>Cover Lens</b>	Diffused UV stable acrylic			
<b>Housing</b>	Extruded Aluminum			
<b>Housing Finish Options</b>	Gray (RAL7015), Black (RAL9005), White (RAL9003)			
<b>Mounting</b>	Low Profile Mounting Brackets (x2 per length)			
<b>Dimensions (L)</b>	300mm / 11.8"	600mm / 23.6"	1200mm / 47.2"	2400mm / 94.5"
<b>(W x H)</b>	75mm x 66mm / 3" x 2.6"			
<b>Weight</b>	1.1 kg / 2.4 lbs.	1.5 kg / 3.3 lbs.	2.30 kg / 5.1 lbs.	4 kg / 8.8 lbs.
<b>EPA (sq.ft)</b>	<b>Front</b>	0.056		
	<b>Side</b>	0.290	0.467	0.869
	<b>Front 45°</b>	0.2050	0.3302	0.6144
<b>Regulatory Listing &amp; Safety Approval</b>	cETLus,FCC, RoHs, ASTM B117-16, ANSI 3G, IK07			
<b>Operating Temperature</b>	-30°C to +55°C / -22°F to +131°F			
<b>Storage Temperature</b>	-40°C to +80°C / -40°F to +176°F			
<b>Environment</b>	Outdoor (IP66), suitable for coastal environments			
<b>Humidity</b>	85%, non-condensing			
<b>Electrical Specifications</b>				
<b>Input Voltage</b>	120-277Vac 50/60Hz			
<b>Power Consumption</b>	5W	10W	20W	40W
<b>Power Factor</b>	≥ 0.9			
<b>System Specifications</b>				
<b>Control</b>	DMX 512			
<b>Power Supply</b>	Integral			
<b>Addressing Options</b>	Auto-Addressed with Data Injector			
<b>Pixel Control</b>	Standard luminaire controlled by 12" / 300mm. Factory set to other pixel configurations on request.			

1. No MOQ required. Please consult regional sales office for pricing and lead time.

**LED CHARACTERISTICS** Because LEDs are semiconductor devices, their performances are subject to inherent variability commonly found in semiconductor industry. To improve consistency in performance across the same product, LED manufacturers "sort" LEDs into bins according to different preset parameters, such as forward driving voltage, illumination, etc. Whereas binning is a sorting function, it is not a correction process. Inherent variability in the manufacturing process results always in different binning distributions according to different production lots. Traxon uses automatically binned LEDs on its products, thereby minimizing output variations within the model range.

As with all electronic devices, LED output degrades over time – a term called lumen depreciation. This also explains why it is nearly impossible to expect photometric performances of two LED products with different service life spans to be the same. The rate of LED degrade is a complicate function of many factors such as operating efficiency, duration of continuous operation, and more significantly, environmental conditions (ambient temperature for example). If allowed working under optimal operating temperature range and with good ventilation, LED devices enjoy long service lives over conventional light sources. When using/installing LED devices, care should be taken to ensure that the devices will operate within the operating conditions specified in respective product literature.

Lumen measurement complies with LM-79-08 standard.  
 Lumen maintenance is calculated based on LM-80 compliant measurement.

[www.traxontechnologies.com](http://www.traxontechnologies.com) | [www.osram.us/traxon](http://www.osram.us/traxon)

©2021 TRAXON TECHNOLOGIES - AN OSRAM BUSINESS. ALL RIGHTS RESERVED. TRAXON™, TX CONNECT® ARE TRADEMARKS OF TRAXON TECHNOLOGIES. U.S. PATENTS, E.U. PATENTS, JAPAN PATENTS, OTHER PATENTS PENDING. SPECIFICATIONS ARE SUBJECT TO CHANGE WITHOUT NOTICE.

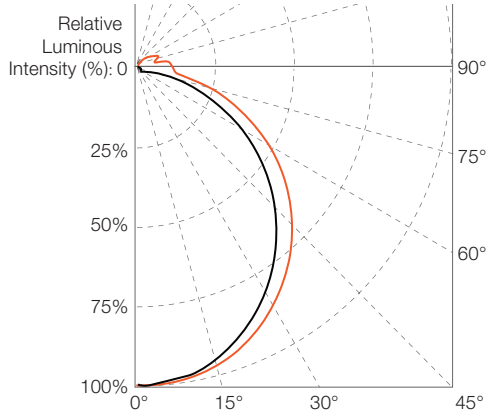
# ProPoint Kontour Wide White

## Photometrics

### Source Specifications

Optics 120°

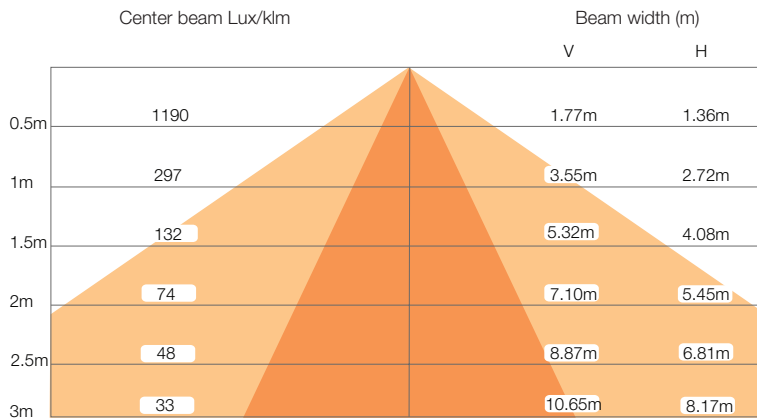
### Candela Distribution



### Light Output

Color	Luminous Flux (lm)	Efficacy (lm/W)
<b>300mm / 12"</b>		
3000K	454.8	90.6
4000K	461.6	93.8
<b>600mm / 24"</b>		
3000K	911.34	90.5
4000K	923.9	93.9
<b>1200mm / 48"</b>		
3000K	1774	88.9
4000K	1849.5	93.7
<b>2400mm / 96"</b>		
3000K	3637	90.7
4000K	3701.3	93.9

### Illuminance at a Distance



● Vert. Spread: 107.4°  
 ● Horiz. Spread: 121.2°

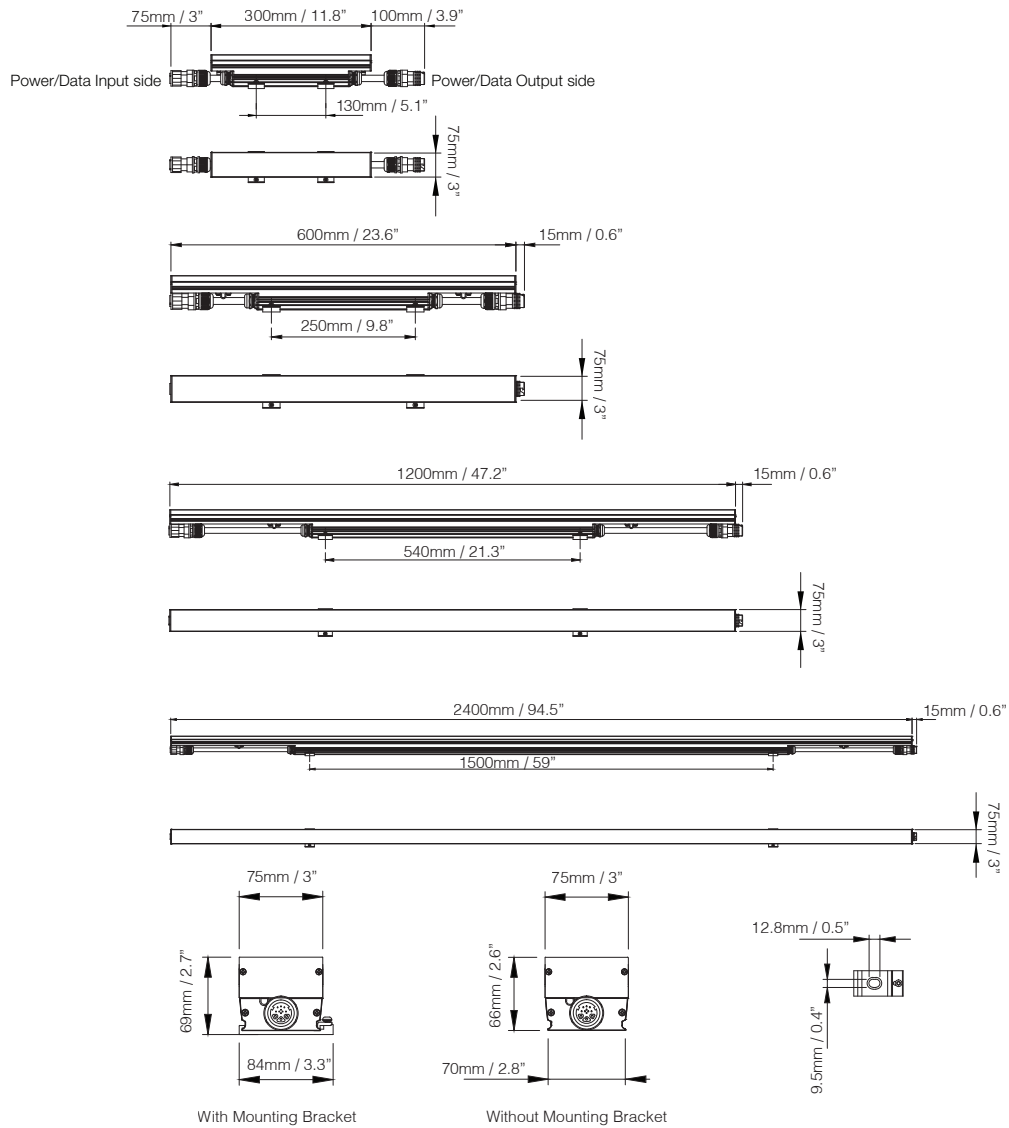
For fc divide by 10.7

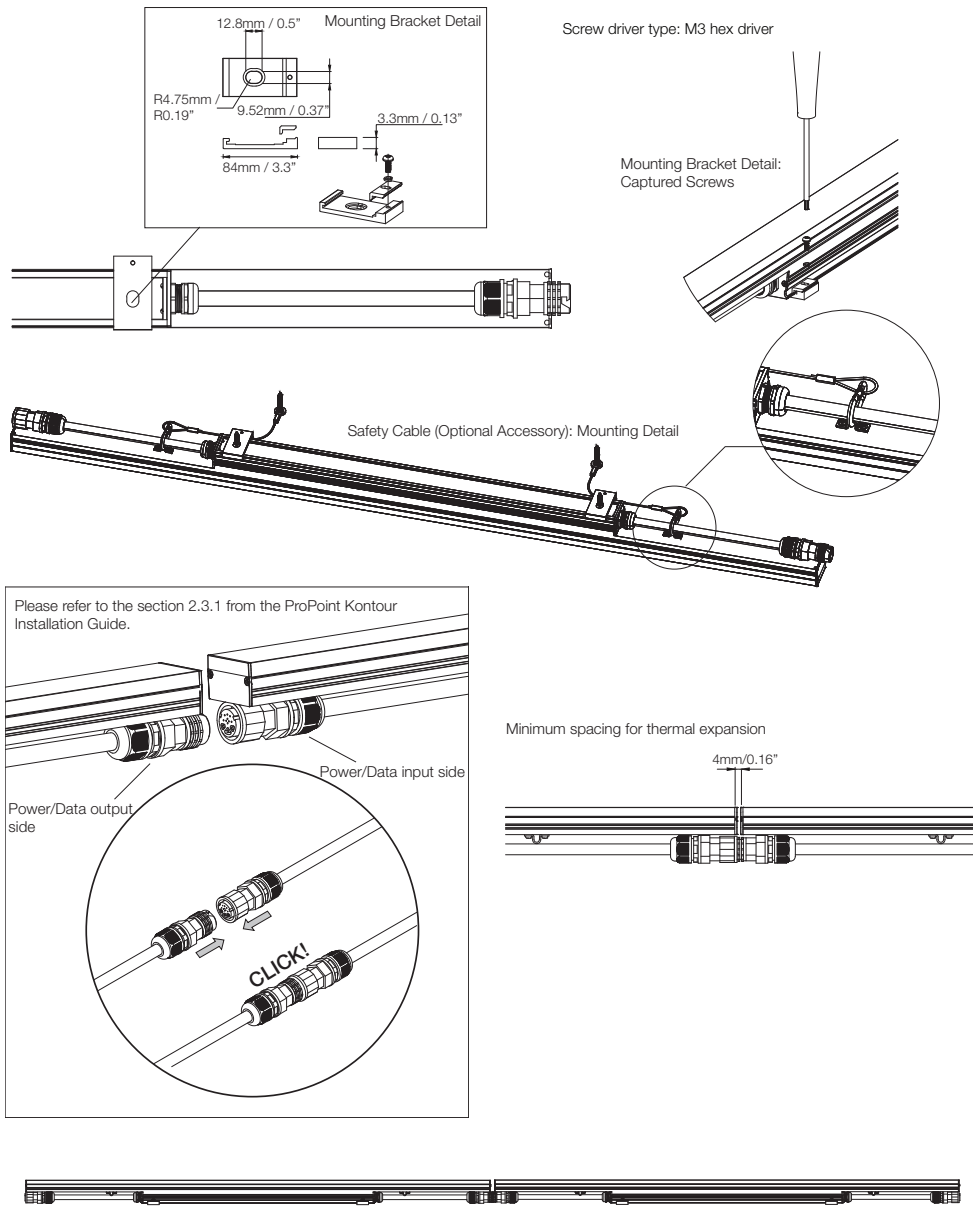
For feet multiply by 3.28

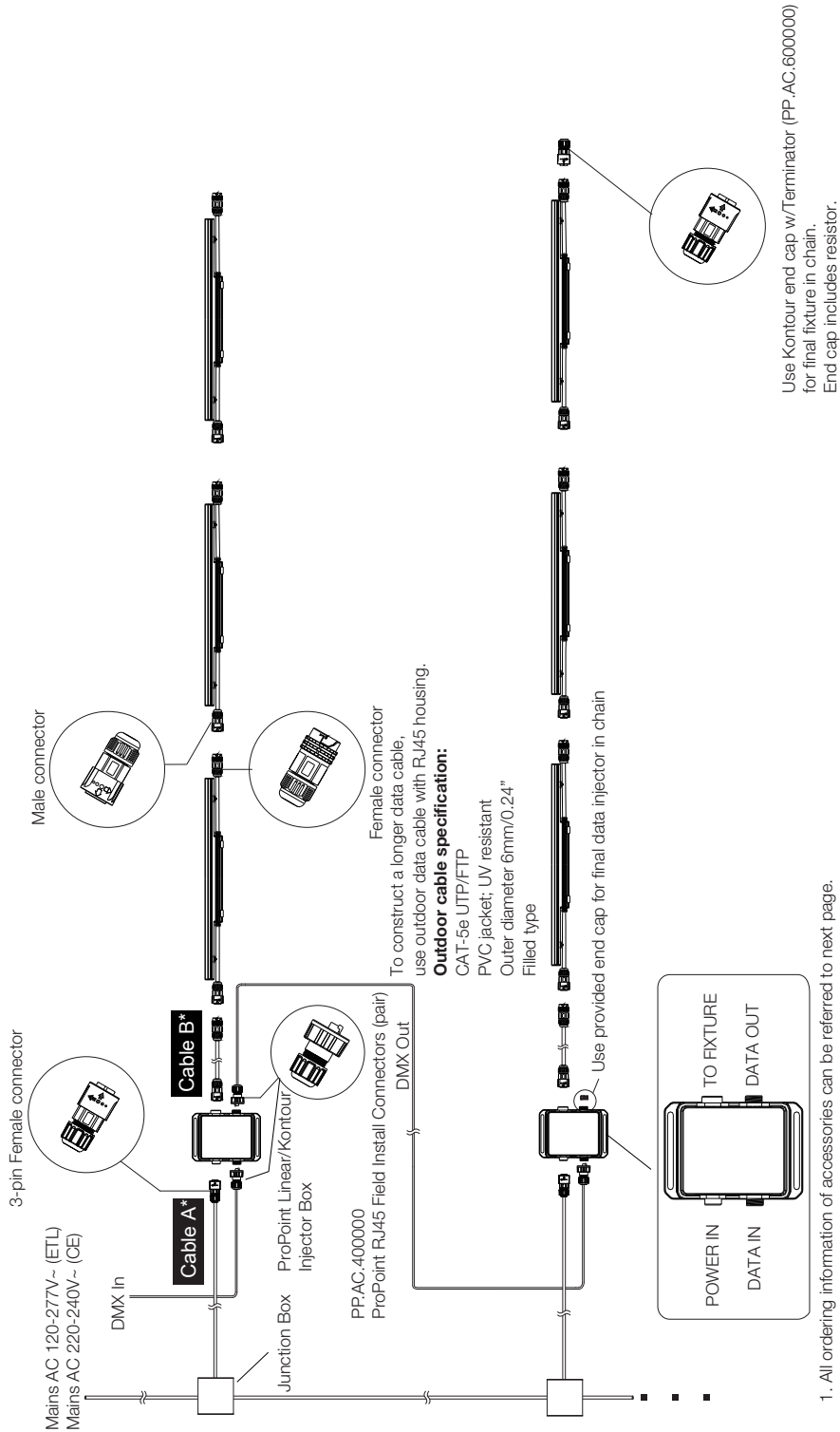
IES and LDT files are available for download from the Traxon website.

# ProPoint Kontour Wide White

# Dimensions







1. All ordering information of accessories can be referred to next page.
  2. All interconnection information can be referred to next page.
- \* Cable A, Cable B: Please refer to System Diagram Accessories table for options.

# ProPoint Kontour Wide White

## System Diagram

### Wiring Information Details

#### ProPoint Kontour Wide -ETL

##### 120V

Model	Power Consumption (Typ.)	Input Voltage	Max Connected Chain
300mm / 12"	5W	120V	344
600mm / 24"	10W	120V	172
1200mm / 48"	20W	120V	86
2400mm / 96"	40W	120V	43

##### 220V-240V

Model	Power Consumption (Typ.)	Input Voltage	Max Connected Chain
300mm / 12"	5W	220-240V	512
600mm / 24"	10W	220-240V	320
1200mm / 48"	20W	220-240V	150
2400mm / 96"	40W	220-240V	80

##### 277V

Model	Power Consumption (Typ.)	Input Voltage	Max Connected Chain
300mm / 12"	5W	277V	512
600mm / 24"	10W	277V	400
1200mm / 48"	20W	277V	200
2400mm / 96"	40W	277V	100

#### Accessories (ETL / CE)

Model No.	Description	Item Code
PP.AC.100001	PROPOINT LINEAR/KONTOUR INJECTOR BOX	AM374890055
PP.AC.100002	PROPOINT LINEAR/KONTOUR INJECTOR BOX BL	AM374900055
PP.AC.100003	PROPOINT LINEAR/KONTOUR INJECTOR BOX WT	AM374910055
PP.AC.600000	PP LIN/KON END CAP W/ TERM.	AM380550055
PP.AC.400000	PROPOINT RJ45 FIELD INSTALL CONNECTORS (PAIR)	AM380560055

#### Accessories (ETL)

Cable Type	Model No.	Description	Item Code
Cable A*	PP. A1.303000	3M PP LINEAR POWER INPUT CABLE ETL	AM374840155
Cable B*	KO.KA.610000	10M KONTOUR PWR/DATA INT CBL ETL	AM357520055
Cable B*	KO.KA.601000	1M KONTOUR PWR/DATA INT CBL ETL	AM357490055
Cable B*	KO.KA.602000	2M KONTOUR PWR/DATA INT CBL ETL	AM357500055
Cable B*	KO.KA.603000	3M KONTOUR PWR/DATA INT CBL ETL	AM357510055

\* All cables come pre-wired with male / female connectors.

# ProPoint Kontour Wide White

Ordering

## Model Number

<b>KXX</b>	<b>.</b>	<b>3</b>	<b>.</b>	<b>9</b>	<b>1</b>	<b>X</b>	<b>.</b>	<b>4</b>	<b>1</b>	<b>.</b>	<b>X</b>	<b>.</b>	<b>XX</b>
Kontour Length	Width	Control	Color	CCT	Approbation	Lens	Finish	Pixel Config					
K1L: 1'	3: 75mm/3"	9: DMX	1: SW	3: 3000K	4: cETLus	1: Diffused Lens	1: Gray	01: 1PXL					
K2L: 2'				4: 4000K			2: Black	02: 2PXL					
K4L: 4'							3: White	04: 4PXL					
K8L: 8'								08: 8PXL					

## \*Abbreviations in Description

WD: Wide      NW: Narrow      F: Flat      BL: Black      WT: White

## Fixtures

Model No.	Description	Item Code
<b>K1L.3.913411.01</b>	PROPOINT KONTOUR F 12" WD 3000K 1PXL ETL	AM394050055
<b>K2L.3.913411.01</b>	PROPOINT KONTOUR F 24" WD 3000K 1PXL ETL	AM394170055
<b>K2L.3.913411.02</b>	PROPOINT KONTOUR F 24" WD 3000K 2PXL ETL	AM394320055
<b>K4L.3.913411.01</b>	PROPOINT KONTOUR F 48" WD 3000K 1PXL ETL	AM394950055
<b>K4L.3.913411.04</b>	PROPOINT KONTOUR F 48" WD 3000K 4PXL ETL	AM394450055
<b>K8L.3.913411.01</b>	PROPOINT KONTOUR F 96" WD 3000K 1PXL ETL	AM395070055
<b>K8L.3.913411.08</b>	PROPOINT KONTOUR F 96" WD 3000K 8PXL ETL	AM395190055
<b>K1L.3.914411.01</b>	PROPOINT KONTOUR F 12" WD 4000K 1PXL ETL	AM394060055
<b>K2L.3.914411.01</b>	PROPOINT KONTOUR F 24" WD 4000K 1PXL ETL	AM394180055
<b>K2L.3.914411.02</b>	PROPOINT KONTOUR F 24" WD 4000K 2PXL ETL	AM394330055
<b>K4L.3.914411.01</b>	PROPOINT KONTOUR F 48" WD 4000K 1PXL ETL	AM394960055
<b>K4L.3.914411.04</b>	PROPOINT KONTOUR F 48" WD 4000K 4PXL ETL	AM394460055
<b>K8L.3.914411.01</b>	PROPOINT KONTOUR F 96" WD 4000K 1PXL ETL	AM395080055
<b>K8L.3.914411.08</b>	PROPOINT KONTOUR F 96" WD 4000K 8PXL ETL	AM395200055
<b>K1L.3.913412.01</b>	PROPOINT KONTOUR F 12" WD 3000K 1PXL BL ETL	AM394090055
<b>K2L.3.913412.01</b>	PROPOINT KONTOUR F 24" WD 3000K 1PXL BL ETL	AM394210055
<b>K2L.3.913412.02</b>	PROPOINT KONTOUR F 24" WD 3000K 2PXL BL ETL	AM394360055
<b>K4L.3.913412.01</b>	PROPOINT KONTOUR F 48" WD 3000K 1PXL BL ETL	AM394990055
<b>K4L.3.913412.04</b>	PROPOINT KONTOUR F 48" WD 3000K 4PXL BL ETL	AM394490055
<b>K8L.3.913412.01</b>	PROPOINT KONTOUR F 96" WD 3000K 1PXL BL ETL	AM395110055
<b>K8L.3.913412.08</b>	PROPOINT KONTOUR F 96" WD 3000K 8PXL BL ETL	AM395230055
<b>K1L.3.914412.01</b>	PROPOINT KONTOUR F 12" WD 4000K 1PXL BL ETL	AM394100055
<b>K2L.3.914412.01</b>	PROPOINT KONTOUR F 24" WD 4000K 1PXL BL ETL	AM394220055
<b>K2L.3.914412.02</b>	PROPOINT KONTOUR F 24" WD 4000K 2PXL BL ETL	AM394370055
<b>K4L.3.914412.01</b>	PROPOINT KONTOUR F 48" WD 4000K 1PXL BL ETL	AM395000055
<b>K4L.3.914412.04</b>	PROPOINT KONTOUR F 48" WD 4000K 4PXL BL ETL	AM394500055
<b>K8L.3.914412.01</b>	PROPOINT KONTOUR F 96" WD 4000K 1PXL BL ETL	AM395120055
<b>K8L.3.914412.08</b>	PROPOINT KONTOUR F 96" WD 4000K 8PXL BL ETL	AM395240055

[www.traxontechnologies.com](http://www.traxontechnologies.com) | [www.osram.us/traxon](http://www.osram.us/traxon)

©2021 TRAXON TECHNOLOGIES - AN OSRAM BUSINESS. ALL RIGHTS RESERVED. TRAXON™, TX CONNECT® ARE TRADEMARKS OF TRAXON TECHNOLOGIES. U.S. PATENTS, E.U. PATENTS, JAPAN PATENTS, OTHER PATENTS PENDING. SPECIFICATIONS ARE SUBJECT TO CHANGE WITHOUT NOTICE.

## ProPoint Kontour Wide White

Ordering

### Fixtures

Model No.	Description	Item Code
K1L.3.913413.01	PROPOINT KONTOUR F 12" WD 3000K 1PXL WT ETL	AM394130055
K2L.3.913413.01	PROPOINT KONTOUR F 24" WD 3000K 1PXL WT ETL	AM394250055
K2L.3.913413.02	PROPOINT KONTOUR F 24" WD 3000K 2PXL WT ETL	AM394400055
K4L.3.913413.01	PROPOINT KONTOUR F 48" WD 3000K 1PXL WT ETL	AM395030055
K4L.3.913413.04	PROPOINT KONTOUR F 48" WD 3000K 4PXL WT ETL	AM394530055
K8L.3.913413.01	PROPOINT KONTOUR F 96" WD 3000K 1PXL WT ETL	AM395150055
K8L.3.913413.08	PROPOINT KONTOUR F 96" WD 3000K 8PXL WT ETL	AM395270055
K1L.3.914413.01	PROPOINT KONTOUR F 12" WD 4000K 1PXL WT ETL	AM394140055
K2L.3.914413.01	PROPOINT KONTOUR F 24" WD 4000K 1PXL WT ETL	AM394260055
K2L.3.914413.02	PROPOINT KONTOUR F 24" WD 4000K 2PXL WT ETL	AM394410055
K4L.3.914413.01	PROPOINT KONTOUR F 48" WD 4000K 1PXL WT ETL	AM395040055
K4L.3.914413.04	PROPOINT KONTOUR F 48" WD 4000K 4PXL WT ETL	AM394540055
K8L.3.914413.01	PROPOINT KONTOUR F 96" WD 4000K 1PXL WT ETL	AM395160055
K8L.3.914413.08	PROPOINT KONTOUR F 96" WD 4000K 8PXL WT ETL	AM395280055

### Accessories (ETL / CE)

Model No.	Description	Item Code
PP.AC.100001	PROPOINT LINEAR/KONTOUR INJECTOR BOX	AM374890055
PP.AC.100002	PROPOINT LINEAR/KONTOUR INJECTOR BOX BL	AM374900055
PP.AC.100003	PROPOINT LINEAR/KONTOUR INJECTOR BOX WT	AM374910055
PP.AC.600000	PP LIN/KON END CAP W/ TERM.	AM380550055
PP.AC.400000	PROPOINT RJ45 FIELD INSTALL CONNECTORS (PAIR)	AM380560055

### Accessories (ETL)

Model No.	Description	Item Code
PP.A1.303000	3M PP LINEAR POWER INPUT CABLE ETL	AM374840155
KO.KA.610000	10M KONTOUR PWR/DATA INT CBL ETL	AM357520055
KO.KA.601000	1M KONTOUR PWR/DATA INT CBL ETL	AM357490055
KO.KA.602000	2M KONTOUR PWR/DATA INT CBL ETL	AM357500055
KO.KA.603000	3M KONTOUR PWR/DATA INT CBL ETL	AM357510055

### Accessories (Optional)

Model No.	Description	Item Code
KO.AA.900010	KONTOUR SAFETY CABLE 0.25M (10")	AM403000055

### Our Brands

traxon e:cue

[www.traxontechnologies.com](http://www.traxontechnologies.com) | [www.osram.us/traxon](http://www.osram.us/traxon)

©2021 TRAXON TECHNOLOGIES - AN OSRAM BUSINESS. ALL RIGHTS RESERVED. TRAXON™, TX CONNECT®, ARE TRADEMARKS OF TRAXON TECHNOLOGIES. U.S. PATENTS, E.U. PATENTS, JAPAN PATENTS, OTHER PATENTS PENDING. SPECIFICATIONS ARE SUBJECT TO CHANGE WITHOUT NOTICE.

**OSRAM**