



Project: \_\_\_\_\_

Type: \_\_\_\_\_



## Allegro Dot XS RGBW

Allegro Dot XS is the newest and smallest member of the intelligent Allegro Dot family which enables longer chains of illuminated Dots. The Allegro Dot XS is ideal for outdoor media applications, where it can be integrated seamlessly into the facade, or it can be installed to float in the air with our highly transparent mounting options.

Each system is driven by the PXL Distributor Pro 8 (PDP8) which integrates power and data into one unit, reducing the space required for installation components. Each PDP8 can support up to eight Allegro Dot XS outputs with e:net IN and OUT.

This product is intended for use in high-quality colored light applications.



### Product Specifications

Models	RGBW Clear	RGBW Diffused
Number of Pixel	Max. 80 per string Max. 640 per system	
Light Source	High intensity 3-in-1 RGB and W LEDs	
Color Range	16.7 Million additive RGB colors, white CCT 6500K	
Color Resolution	RGBW: 4 x 12-bit (Gamma correction)	
WhiteOne <sup>1</sup>	Intelligent algorithms with RGBW model to improve the quality and brightness of the white output.	
CRI	>80 for White LED	
Luminous Flux <sup>2</sup>	17 lm	15 lm
Brightness <sup>2</sup>	6.4 cd	2.9 cd
Beam Angle	115°	175°
Cover Lens	Clear UV Stable PC	Diffused Dome UV Stable PC
LED Pitch	Standard 90mm / 3.5"; 50mm / 2" to 500mm / 19.7" with 80 Dots	
Housing	Polycarbonate	
Dimensions (W x L x H) <sup>3</sup>	19mm x 41mm x 10.6mm / 0.7" x 1.6" x 0.4"	
Weight	796g / 28oz full string; 9.5g / 0.33oz single dot with 90mm / 3.5" cable	824g / 29oz full string; 9.8g / 0.34oz single dot with 90mm / 3.5" cable
Regulatory Listing & Safety Approval	CE, UKCA, cETLus, RoHS, REACH	
Operating Temperature	-25°C to + 55°C (Other than N. America) / -13°F to 122°F (N. America)	
Storage Temperature	-40°C to + 70°C / -40°F to +158°F	
Environment	IP66 & 67 Outdoor Rated	
Humidity	0 to 90% non-condensing	

### Electrical Specifications

Input Voltage	Allegro Dot XS 30V DC; PXL Distributor Pro 8 120V-277V AC nominal
Power Consumption (Typ.)	Allegro Dot XS RGBW: 0.6W per Dot PXL Distributor Pro 8: 10W Full system: 400W

### System Specifications

Power	AC line
Control	e:net <sup>4</sup> IN and OUT via PXL Distributor Pro 8
Power Supply	Integrated 450W; Isolated outputs for Class2 Compliance
Addressing Options	Auto-addressing

- e:cue controls are required.
- Measurement per dot.
- Per Dot
- An Ethernet-based e:cue protocol used for communication between e:cue Engines and Interfaces.

**LED CHARACTERISTICS** Because LEDs are semiconductor devices, their performances are subject to inherent variability commonly found in semiconductor industry. To improve consistency in performance across the same product, LED manufacturers "sort" LEDs into bins according to different preset parameters, such as forward driving voltage, illumination, etc. Whereas binning is a sorting function, it is not a correction process. Inherent variability in the manufacturing process results always in different binning distributions according to different production lots. Traxon uses automatically binned LEDs on its products, thereby minimizing output variations within the model range.

As with all electronic devices, LED output degrades over time – a term called lumen depreciation. This also explains why it is nearly impossible to expect photometric performances of two LED products with different service life spans to be the same. The rate of LED degrade is a complicate function of many factors such as operating efficiency, duration of continuous operation, and more significantly, environmental conditions (ambient temperature for example). If allowed working under optimal operating temperature range and with good ventilation, LED devices enjoy long service lives over conventional light sources. When using/installing LED devices, care should be taken to ensure that the devices will operate within the operating conditions specified in respective product literature.

This product contains a light source of energy efficiency class G to Regulation (EU) No 2019/2015. Lumen measurement complies with LM-79-08 standard. Lumen maintenance is calculated based on LM-80 compliant measurement.



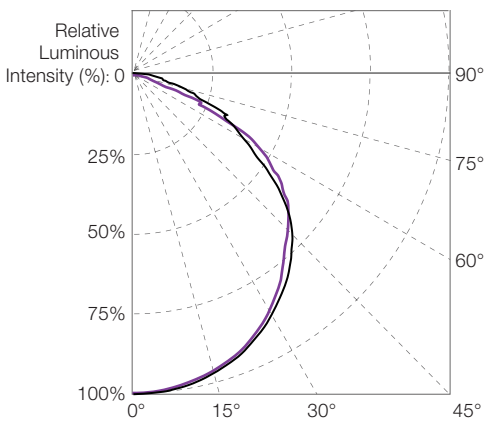
www.traxon-ecue.com

©2023 TRAXON TECHNOLOGIES — ALL RIGHTS RESERVED. TRAXON™, TX CONNECT®. ARE TRADEMARKS OF TRAXON TECHNOLOGIES. U.S. PATENTS, E.U. PATENTS, JAPAN PATENTS, OTHER PATENTS PENDING. SPECIFICATIONS ARE SUBJECT TO CHANGE WITHOUT NOTICE.

## Source Specifications (Clear)

Source	High intensity SMT RGB and White LED
Optics	115°

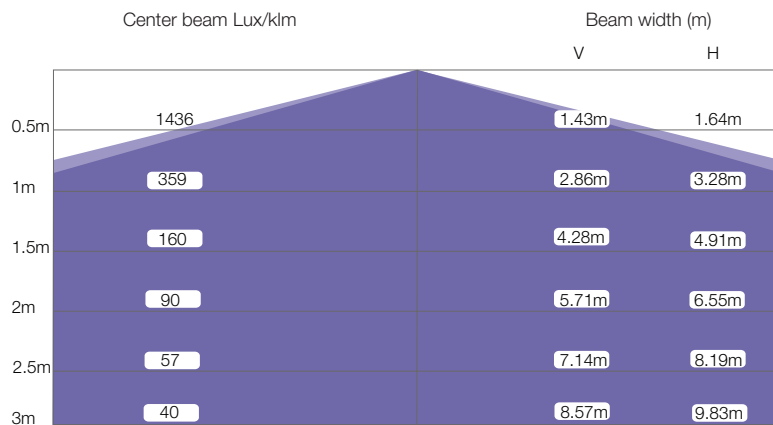
## Candela Distribution



## Light Output

Color	Luminous Flux (lm)	Center Intensity (cd)	Efficacy (lm/W)
<b>RGBW FULL ON</b>	17.8	6.41	32
<b>RGB ON</b>	8.5	3.05	21
<b>Red ON</b>	2.4	0.88	12
<b>Green ON</b>	5.5	1.99	34
<b>Blue ON</b>	0.8	0.30	9
<b>White ON</b>	9.6	3.46	59

## Illuminance at a Distance



- Vert.Spread: 110.0°
- Horiz.Spread: 117.2°

For fc divide by 10.7

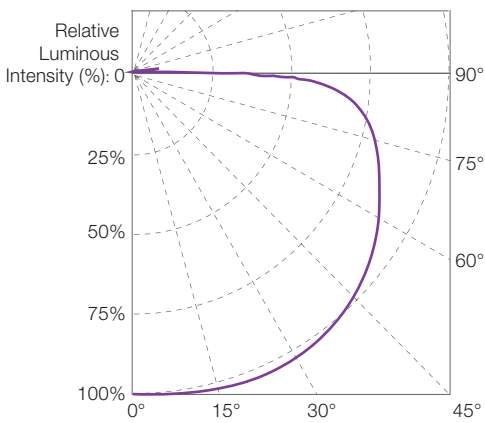
For feet multiply by 3.28

IES and LDT files are available for download from the Traxon website.

## Source Specifications (Diffused)

Source	High intensity SMT RGB and White LED
Optics	175°

## Candela Distribution



## Light Output

Color	Luminous Flux (lm)	Center Intensity (cd)	Efficacy (lm/W)
<b>RGBW FULL ON</b>	15.0	2.90	27
<b>RGB ON</b>	7.1	1.38	18
<b>Red ON</b>	2.1	0.40	10
<b>Green ON</b>	4.6	0.90	29
<b>Blue ON</b>	0.7	0.14	7
<b>White ON</b>	8.1	1.56	50

## Illuminance at a Distance

Center beam Lux/klm	Beam width (m) H
739	24.90m
185	49.80m
82	74.69m
46	99.59m
31	124.49m
21	149.39m

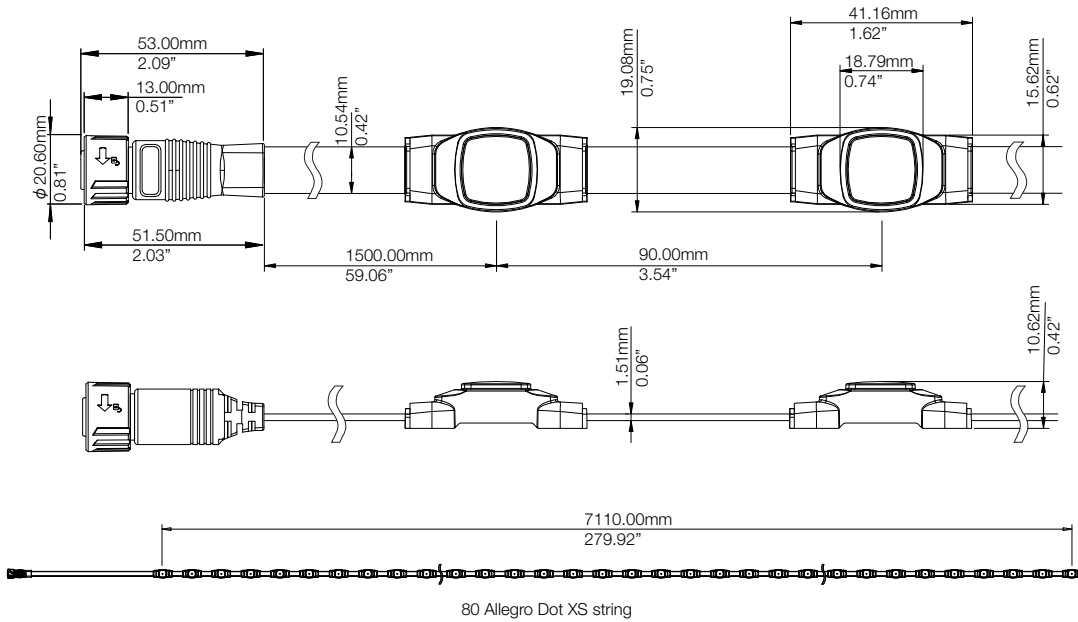
● Horiz.Spread: 175.4°

For fc divide by 10.7

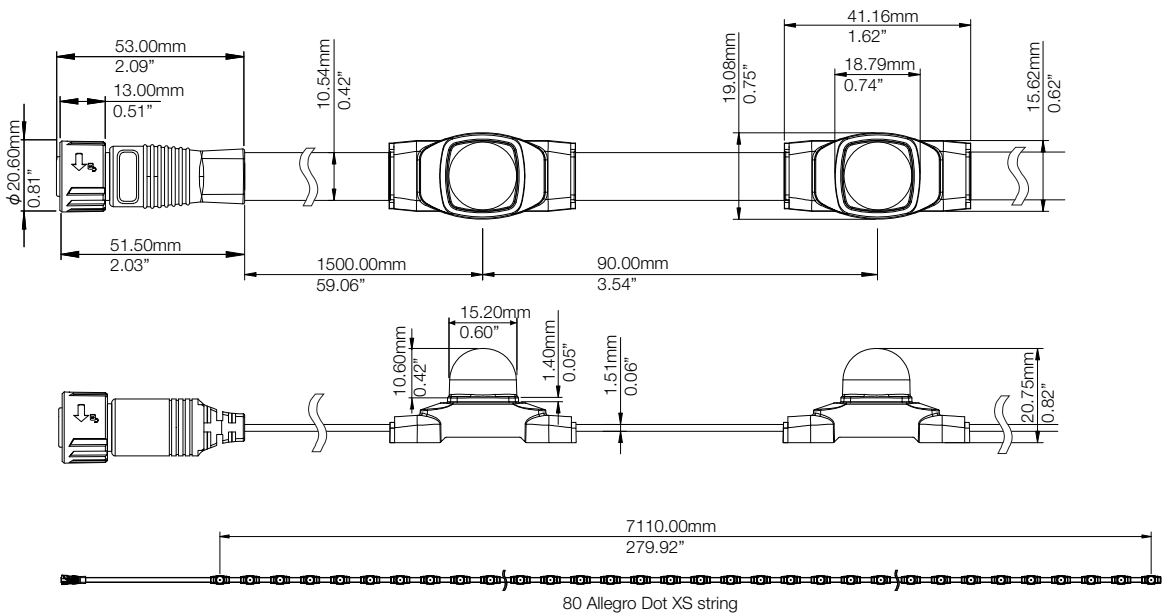
For feet multiply by 3.28

IES and LDT files are available for download from the Traxon website.

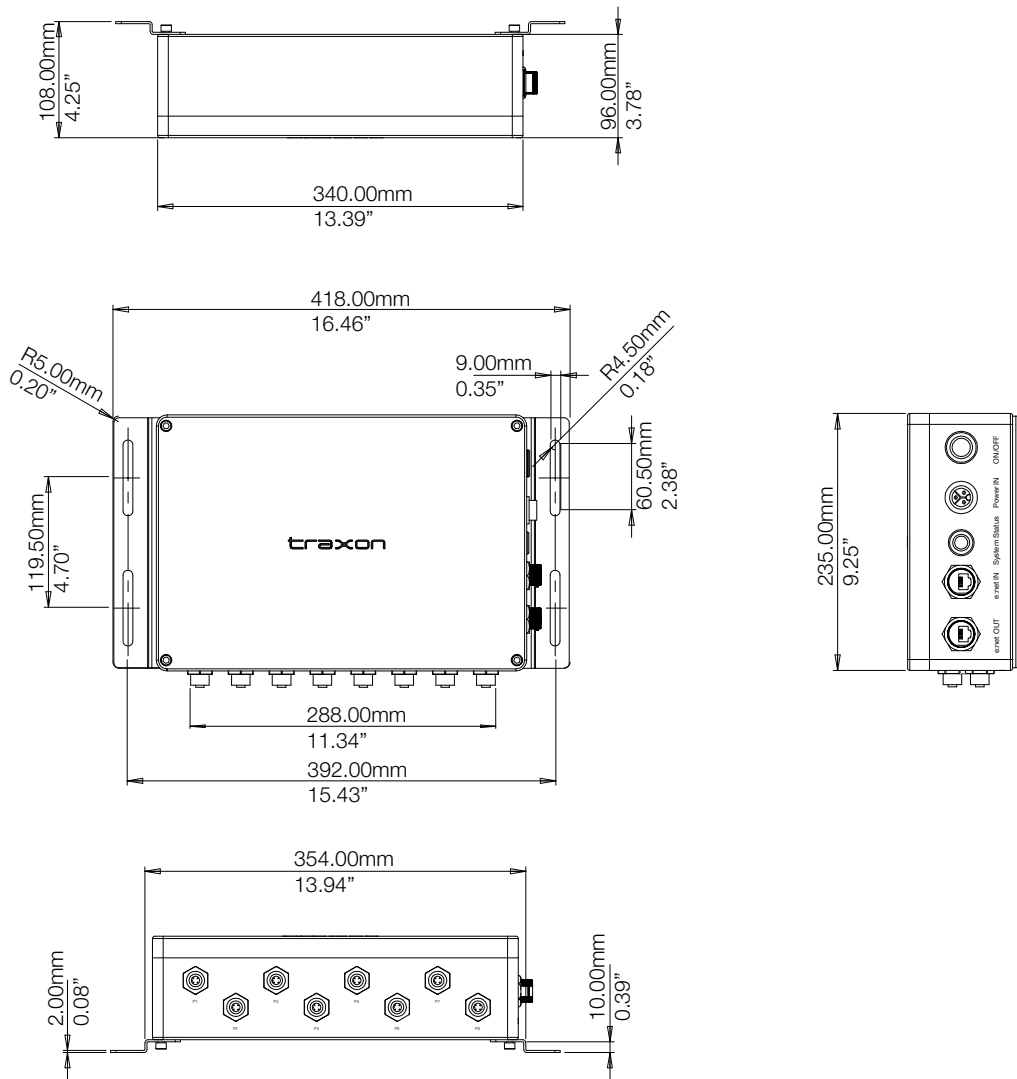
AL Dot XS Clear



AL Dot XS Diffused

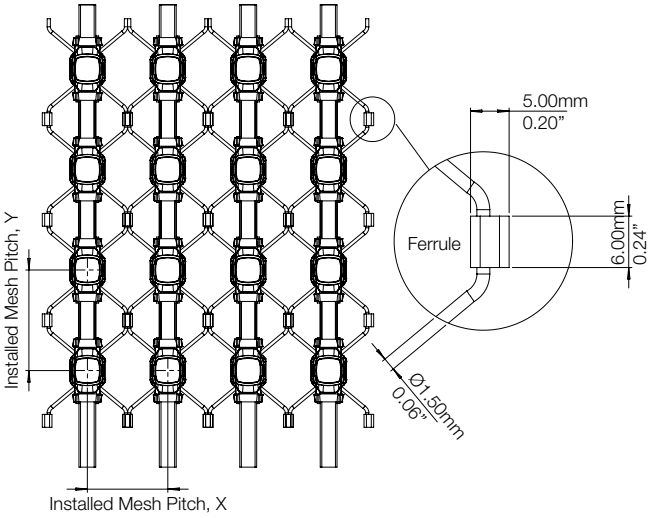


PXL Distributor Pro 8 (AM461810055)



NOTE: Please refer to the PXL Distributor Pro 8 datasheet for more technical details.

High Density Dot Media Solution - STAINLESS STEEL MESH GRID

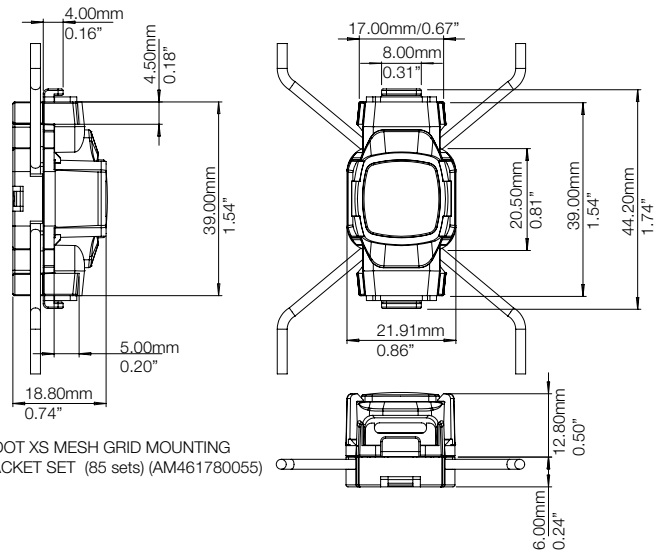


NOTE: The Mounting Bracket is designed to fit to this Ferrule dimension.

Standard Mesh Grid

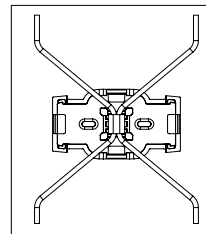
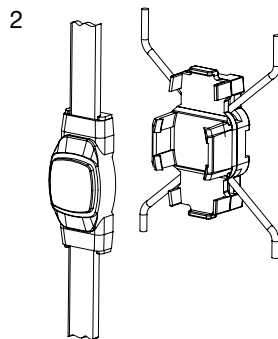
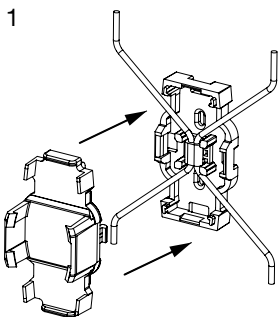
	Installed Mesh Pitch, x (mm)	Installed Mesh Pitch, y (mm)	Weight of MG / m <sup>2</sup> (g)
MG15-40	45	62	937
MG15-50 (Standard)	60	77	722
MG15-60	80	84	517
MG15-70	90	105	423
MG15-80	100	117	370
MG15-90	125	125	320
MG15-100	135	140	282
MG15-120	170	175	204

NOTE: Pitch measured when the mesh grid is fully stretched.

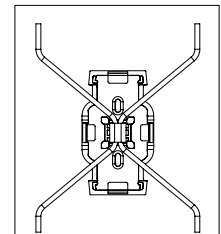


AL DOT XS MESH GRID MOUNTING BRACKET SET (85 sets) (AM461780055)

Mounting



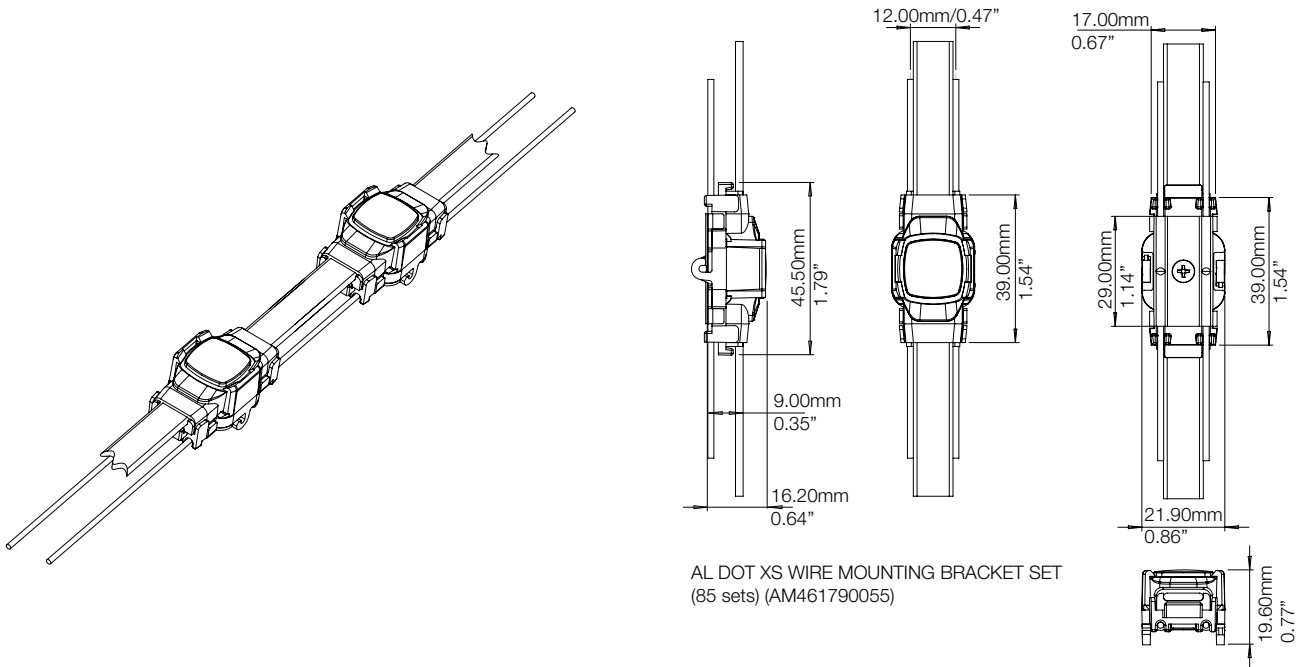
Horizontal cable run



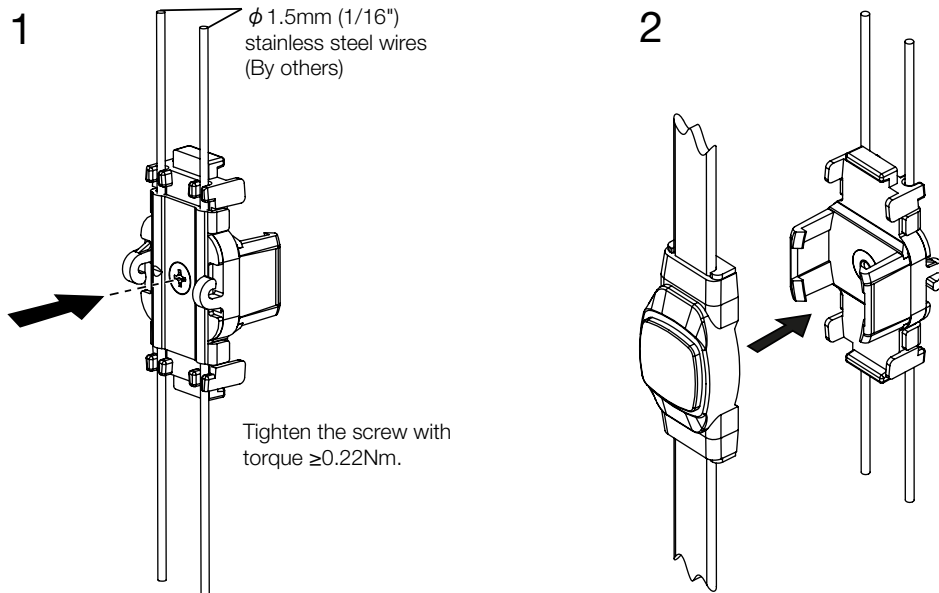
Vertical cable run

NOTE: Please refer to the installation guide for Mesh Grid installation planning.

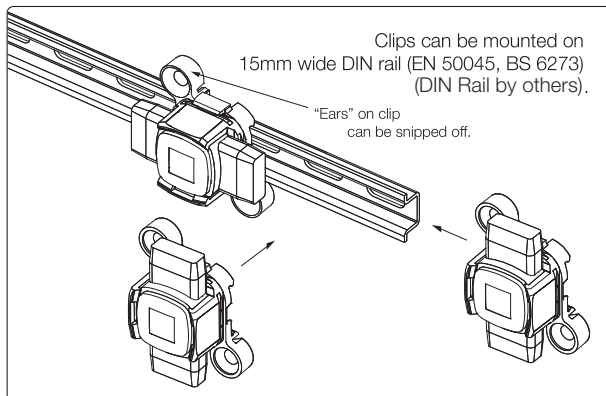
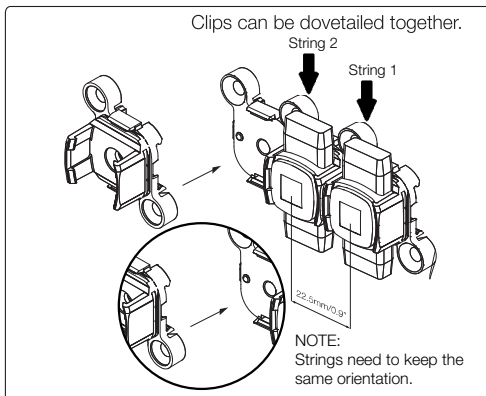
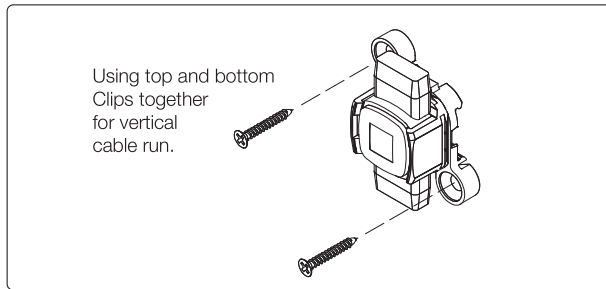
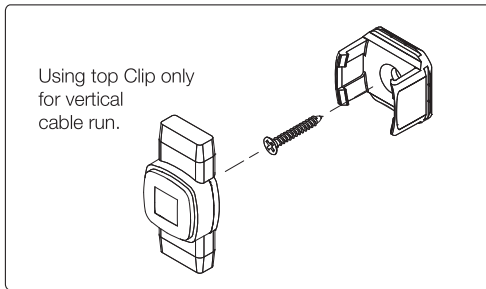
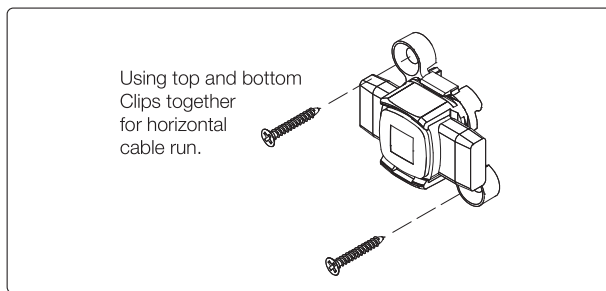
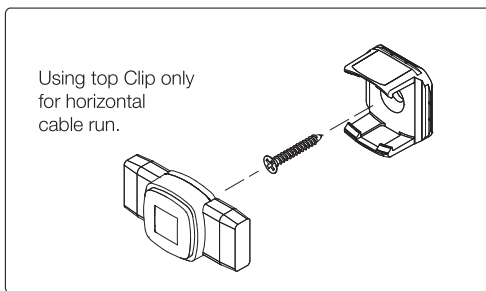
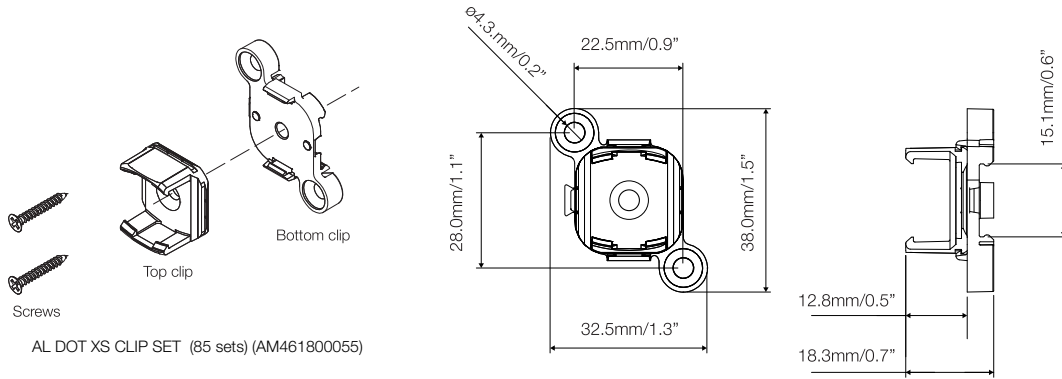
Low Density / Single String Installation Solution - WIRE MOUNTING



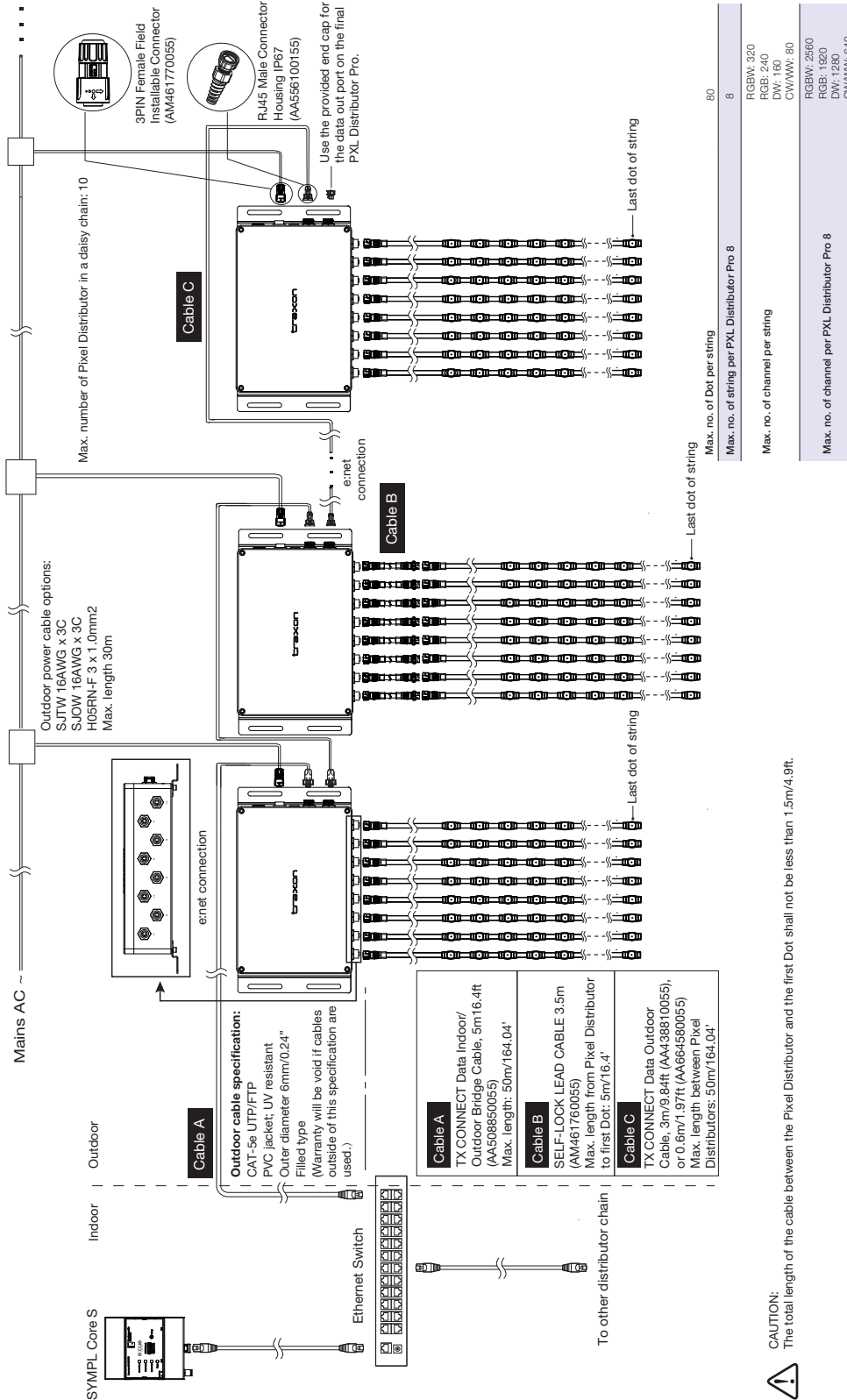
Mounting



Low Density / Single String Installation Solution - DOT CLIP







©2023 TRAXON TECHNOLOGIES — ALL RIGHTS RESERVED. TRAXON™, TX CONNECT®, ARE TRADEMARKS OF TRAXON TECHNOLOGIES. U.S. PATENTS, E.U. PATENTS, JAPAN PATENTS, OTHER PATENTS PENDING. SPECIFICATIONS ARE SUBJECT TO CHANGE WITHOUT NOTICE.

**Fixtures**

Model No.	Description	Item Code
DO.A4.1100010	AL DO XS CR RGBW65 80PPF 90P 1.5M	AM461050055
DO.A4.1200010	AL DO XS DF RGBW65 80PPF 90P 1.5M	AM461060055

**Mounting Accessories**

Model No.	Description	Item Code
N/A	STAINLESS STEEL MG15-50* *Check with your local Traxon e:cue regional office for additional customization options	N/A
N/A	AL DOT XS MESH GRID MOUNTING BRACKET SET (85 SETS)	AM461780055
N/A	AL DOT XS WIRE MOUNTING BRACKET SET (85 SETS)	AM461790055
N/A	AL DOT XS INDIVIDUAL CLIP (85 SETS)	AM461800055

**Connection Accessories**

Model No.	Description	Item Code
DO.AP.0081000	PXL DISTRIBUTOR PRO 8 (8-PORT) FOR AL DOT XS	AM461810055
N/A	SELF-LOCK AL DO XS LEAD CABLE 3.5M (EXTENSION CABLE FROM DOT TO PXL DISTRIBUTOR)	AM461760055
N/A	3PIN FIELD INSTALLABLE CONNECTOR PD8 IP67	AM461770055

**TX Connect**

Model No.	Description	Item Code
DE.AC.0100000	RJ45 MALE CONNECTOR HOUSING IP67	AA556100155
DE.IC.0300000	TX CONNECT DATA OUTDOOR CABLE, 3M/9.84FT	AA438810055
DE.IC.0060000	TX CONNECT DATA OUTDOOR CABLE, 0.6M/1.97FT	AA664580055
DE.AC.0000100	TX CONNECT DATA INDOOR/OUTDOOR BRIDGE CABLE, 5M/16.4FT	AA508850055

**e:cue Control**

Model No.	Description	Item Code
N/A	SYMPL Core S	AB447060035
N/A	SYMPL Core SP	AM430280035
N/A	LCE3FX	AM368100135
N/A	LCE3	AM368100035