

# TRAXON Plus<sup>+</sup>

## Cove Light Plus AC White ETL



Project: \_\_\_\_\_

Type: \_\_\_\_\_



IP40  
Dry/Damp Location



DMX 512



RDM



0-10V

The Traxon Cove Light Plus is an AC powered, slim, high brightness profile that effortlessly integrates into any architectural setting. Featuring 0-10V control, DMX or RDM control, White color options and a wide range of optical choices, its elegant modular design conceals powerful LED technology, allowing you to create a soft, uniform glow that bathes your surroundings in a captivating, gentle radiance.

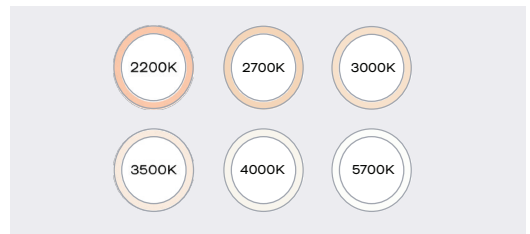
### Features

- 0-10V Dimming (0-10V Version only)
- DMX / RDM control (DMX Version only)
- Easy installation and maintenance
- DMX Version: Auto-addressing
- RDM version: Auto-addressing or Manual Addressing via RDM

### Technologies

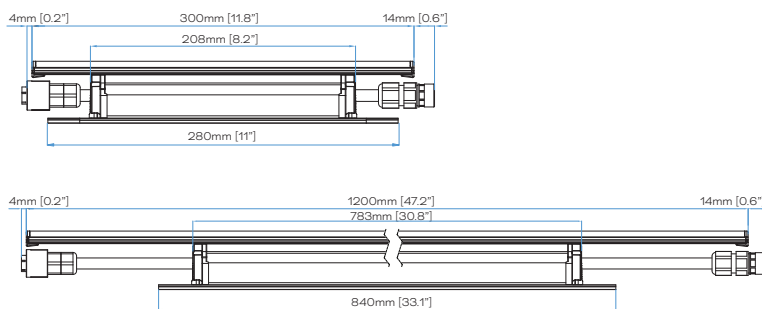
- 0-10V Dimming (0-10V Version only)
- DMX / RDM Control (DMX Version only)
- Auto-Addressing / Manual Addressing (DMX Version only)

### Color Options

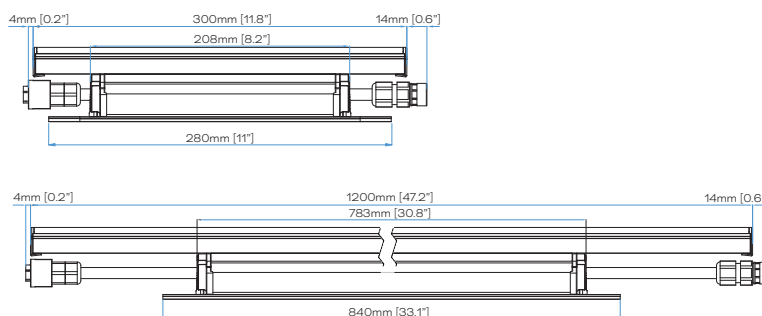


### Dimensions

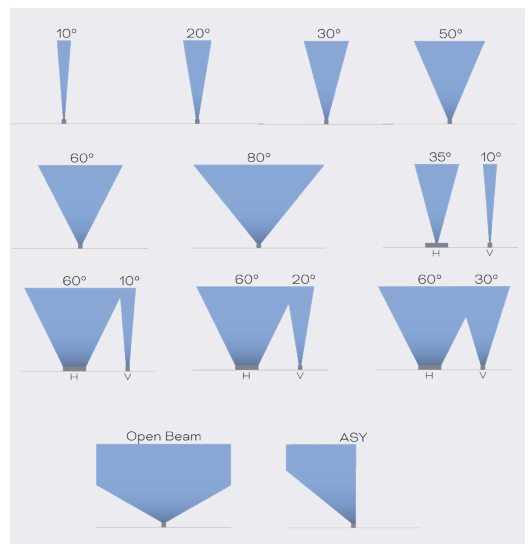
#### Open Beam Version



#### Optic Version



### Beam Angles



### Product Specifications

	Open Beam Version		Optic Version	
Length Option	300mm [1ft]	1200mm [4ft]	300mm [1ft]	1200mm [4ft]
Pixels (DMX Version only)	1	4 (1/2 pixel is on demand)	1	4 (1/2 pixel is on demand)
Color Range	White: 2200K, 2700K, 3000K, 3500K, 4000K, 5700K			
Color Resolution	16-Bit Grayscale, Gamma 2.2			
Refresh Rate	PWM 16k Hz			
LED Quantity	White 28 pcs	White 112 pcs	White 12 pcs	White 48 pcs
Beam Angle	Open Beam		10°, 20°, 30°, 50°, 60°, 80°, 35°x10°, 60°x20°, 60°x30°, ASY	
Luminous Flux* (0-10V Version) (Clear Optical Lens)	3W: 360 lm (4000K 10°) 5W: 690 lm (4000K 10°) 8W: 1128 lm (4000K 10°) 10W: 1450 lm (4000K 10°)	12W: 1548 lm (4000K 10°) 20W: 2940 lm (4000K 10°) 32W: 4800 lm (4000K 10°) 40W: 6200 lm (4000K 10°)	3W: 252 lm (4000K 10°) 5W: 480 lm (4000K 10°) 8W: 784 lm (4000K 10°) 10W: 1000 lm (4000K 10°)	12W: 1080 lm (4000K 10°) 20W: 2060 lm (4000K 10°) 32W: 3360 lm (4000K 10°) 40W: 4360 lm (4000K 10°)
Luminous Flux* (0-10V Version) (Frosted Optical Lens)	3W: 333 lm (4000K 10°) 5W: 635 lm (4000K 10°) 8W: 1032 lm (4000K 10°) 10W: 1330 lm (4000K 10°)	12W: 1416 lm (4000K 10°) 20W: 2700 lm (4000K 10°) 32W: 4416 lm (4000K 10°) 40W: 5720 lm (4000K 10°)	3W: 234 lm (4000K 10°) 5W: 445 lm (4000K 10°) 8W: 728 lm (4000K 10°) 10W: 930 lm (4000K 10°)	12W: 996 lm (4000K 10°) 20W: 1900 lm (4000K 10°) 32W: 3104 lm (4000K 10°) 40W: 4000 lm (4000K 10°)
Efficacy* (0-10V Version) (Clear Optical Lens)	3W: 120 lm/W 5W: 138 lm/W 8W: 141 lm/W 10W: 145 lm/W	12W: 129 lm/W 20W: 147 lm/W 32W: 150 lm/W 40W: 155 lm/W	3W: 84 lm/W 5W: 96 lm/W 8W: 98 lm/W 10W: 100 lm/W	12W: 90 lm/W 20W: 103 lm/W 32W: 105 lm/W 40W: 109 lm/W
Efficacy* (0-10V Version) (Frosted Optical Lens)	3W: 111 lm/W 5W: 127 lm/W 8W: 129 lm/W 10W: 133 lm/W	12W: 118 lm/W 20W: 135 lm/W 32W: 138 lm/W 40W: 143 lm/W	3W: 78 lm/W 5W: 89 lm/W 8W: 91 lm/W 10W: 93 lm/W	12W: 83 lm/W 20W: 95 lm/W 32W: 97 lm/W 40W: 100 lm/W
CRI	≥80 & ≥90**, options available			
SDCM	≤3 step			
Housing	Aluminum LED module + PC body			
Housing Finish	White			
Optical Lens (cover)	Clear PC / Frosted PC			
Mounting	Surface Mount, optional mounting accessories are available			
Adjustment Options	-90° to +90°			
Dimensions †(L x W x H)	300 x 38 x 49mm / 11.8" x 1.5" x 1.9"	1200 x 38 x 49mm / 47.2" x 1.5" x 1.9"	300 x 38 x 60mm / 11.8" x 1.5" x 2.4"	1200 x 38 x 60mm / 47.2" x 1.5" x 2.4"
Weight	0.44kg [0.97lbs]	1.53kg [3.37lbs]	0.46kg [1.01lbs]	1.61kg [3.55lbs]
Regulatory Listing & Safety Approval	Electrical Protection Class II, cETLus, FCC; Title 24 Pending			
Operating Temperature	-20°C to +45°C / -4°F to +113°F			
Storage Temperature	-30°C to +60°C / -22°F to +140°F			
Environment	Indoor, IP40, Dry / Damp Location			
Humidity	10-90%, non-condensing			

### Electrical Specifications

Operating Voltage	120-277V AC 50 / 60Hz			
Power Consumption (W) (0-10V Version)	3 / 5 / 8 / 10	12 / 20 / 32 / 40	3 / 5 / 8 / 10	12 / 20 / 32 / 40
Power Consumption (W) (DMX Version)	3 / 5 / 8 / 12	12 / 20 / 32 / 48	3 / 5 / 8 / 12	12 / 20 / 32 / 48
Lumen Maintenance	L70 @ 25°C – 80000 hours			

### System Specifications

Power Supply	AC line
Control (0-10V Version)	0-10V Dimming, dim to 1% Current Sinking, <1mA per fixture
Control (DMX Version)	DMX512 / RDM (Remote Device Management)
Addressing Options	DMX Version: Auto-addressing RDM version: Auto-addressing or Manual Addressing via RDM

\*: 0-10v models. See photometric documents for additional data. The photometric data of the Frosted Optical Lens is 92% of the equivalent Clear Optical Lens. Multiply the lumen data of the Frosted Optical Lens by the factor of 0.92.

\*\* : ≥90 CRI not available in 2200K.

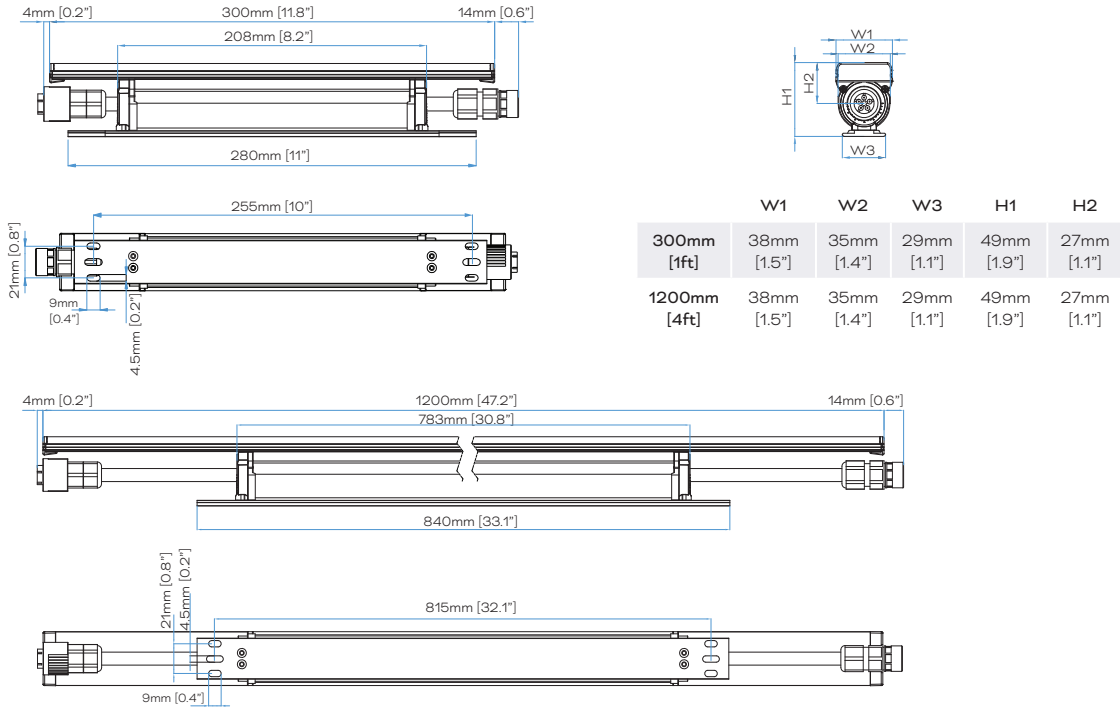
†: 450mm (18") length available by request. Please see your regional Traxon team regarding available and limitations.

LED CHARACTERISTICS: Because LEDs are semiconductor devices, their performances are subject to inherent variability commonly found in semiconductor industry. To improve consistency in performance across the same product, LED manufacturers "sort" LEDs into bins according to different preset parameters, such as forward driving voltage, illumination, etc. Whereas binning is a sorting function, it is not a correction process. Inherent variability in the manufacturing process results always in different binning distributions according to different production lots. Traxon uses automatically binned LEDs on its products, thereby minimizing output variations within the model range.

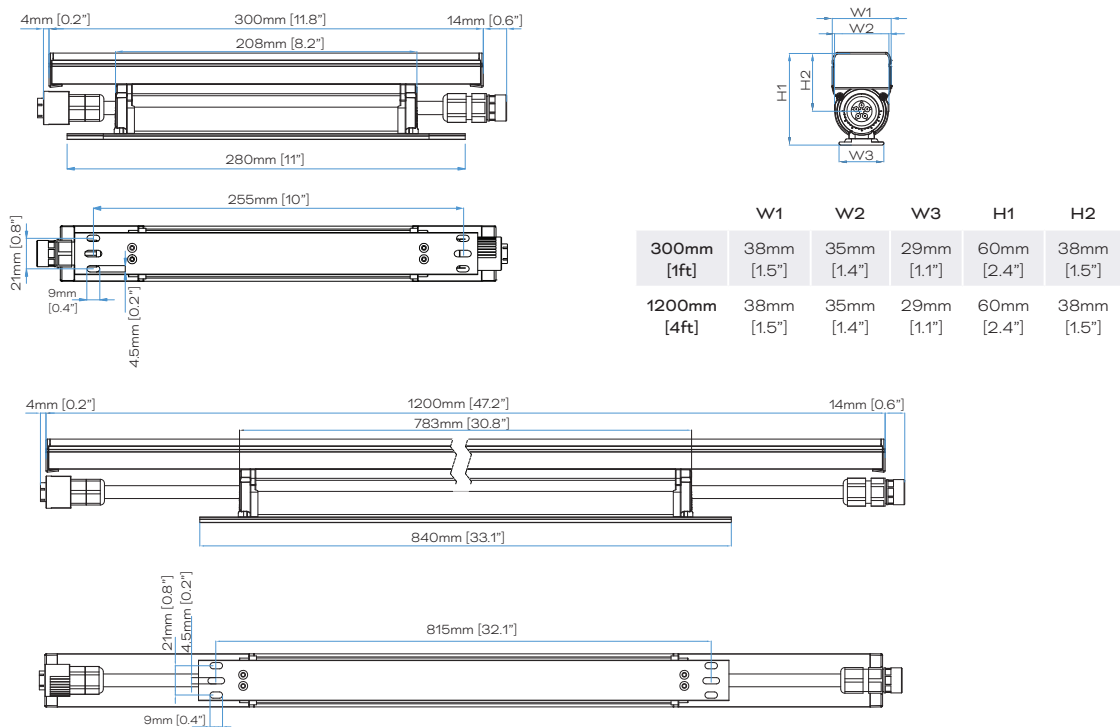
As with all electronic devices, LED output degrades over time – a term called lumen depreciation. This also explains why it is nearly impossible to expect photometric performances of two LED products with different service life spans to be the same. The rate of LED degrade is a complicated function of many factors such as operating efficiency, duration of continuous operation, and more significantly, environmental conditions (ambient temperature for example). If allowed working under optimal operating temperature range and with good ventilation, LED devices enjoy long service lives over conventional light sources. When using/installing LED devices, care should be taken to ensure that the devices will operate within the operating conditions specified in respective product literature.

Lumen measurement complies with LM-79-08 standard.  
Lumen maintenance is calculated based on LM-80 compliant measurement.

#### Fixture (Open Beam)



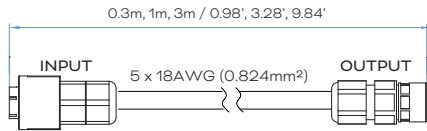
#### Fixture (Optics)



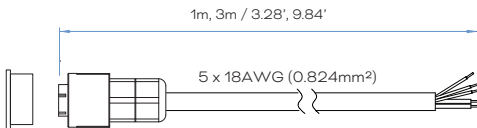
NOTE: Please see CAD files for additional dimensional data.

### Connection Accessories (0-10V Version)

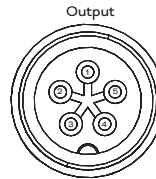
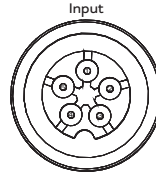
INTERCONNECTION CABLE SI 0.3M / 1M / 3M ETL 0-10V  
(CA.IC.SI.500300 / CA.IC.SI.501000 / CA.IC.SI.503000)



STARTER CABLE SI 1M / 3M 0-10V ETL (CA.SC.SI.501000 / CA.SC.SI.503000)  
STARTER CABLE SI 1M 0-10V ETL & END CAP SI (CA.SC.SI.501000 & END CAP SI)  
STARTER CABLE SI 3M 0-10V ETL & END CAP SI (CA.SC.SI.503000 & END CAP SI)



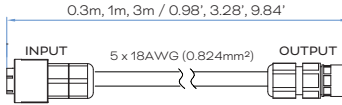
Connector Pin Assignment (Starter Cable / Interconnection Cable)



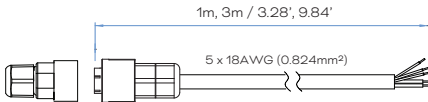
Wire#	Function	Color
1	DO NOT use	Green
2	Neutral	White
3	0-10V Data+	Violet
4	0-10V Data-	Pink
5	Line	Black

### Connection Accessories (DMX Version)

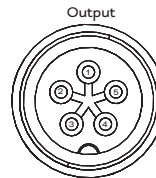
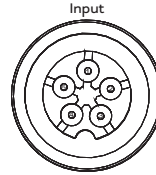
POWER + DMX INTERCONNECTION CABLE 0.3M / 1M / 3M ETL  
(CA.IC.SI.200300 / CA.IC.SI.201000 / CA.IC.SI.203000)



STARTER CABLE SI PWR / DMX 1M / 3M ETL CA.SC.SI.201000 / CA.SC.SI.203000  
STARTER CABLE SI 1M PWR/DMX ETL & END CAP SI W/TERM (CA.SC.SI.201000 & END CAP SI W/TERM)  
STARTER CABLE SI 3M PWR/DMX ETL & END CAP SI W/TERM (CA.SC.SI.203000 & END CAP SI W/TERM)

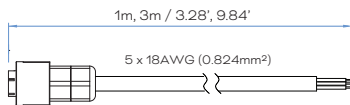


Connector Pin Assignment (Starter Cable / Interconnection Cable)

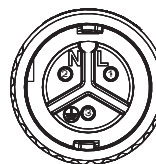


Wire#	Function	Color
1	DO NOT use	Green
2	Neutral	White
3	DMX+	Violet
4	DMX-	Pink
5	Line	Black

POWER INPUT CABLE 1M / 3M ETL  
(CA.PC.SI.701000 / CA.PC.SI.703000)



Connector Pin Assignment (Power Input Cable)



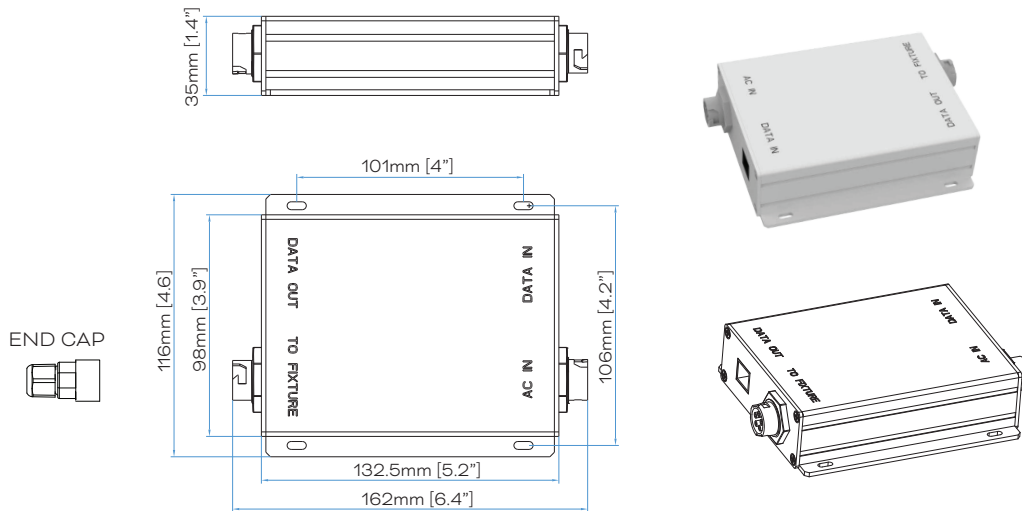
Wire#	Function	Color
1	Line	Black
2	Neutral	White
3	DO NOT use	Green

NOTE: Please see CAD files for additional dimensional data.

### Cove Light Plus Injector

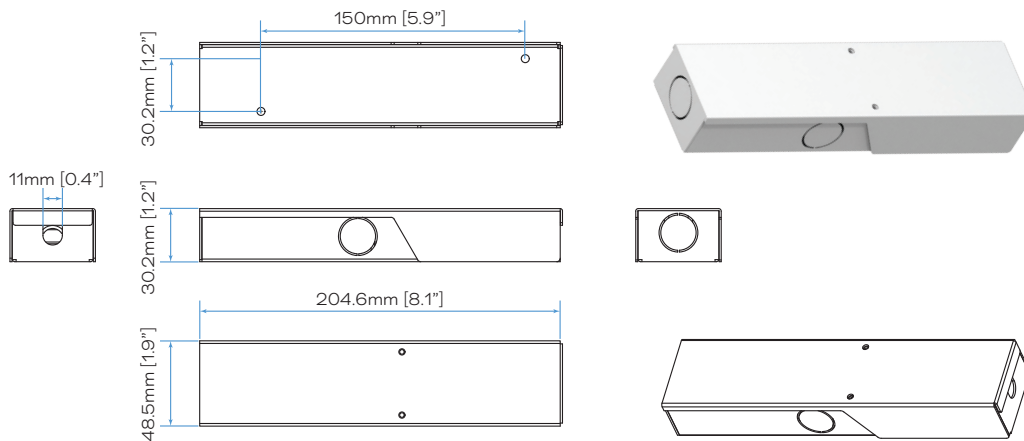
COVE LIGHT PLUS AC INJECTOR (DA23100474055)

COVE LIGHT PLUS AC INJECTOR & END CAP SI W/TERM (DL24302066655)



### Cove Light Plus Wiring Box

COVE LIGHT PLUS WIRING BOX (DA24102044355)



### Mounting Accessories

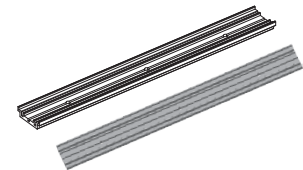
COVE LIGHT PLUS CLIP MOUNT (without Track)



COVE LIGHT PLUS CLIP MOUNT (with Track)



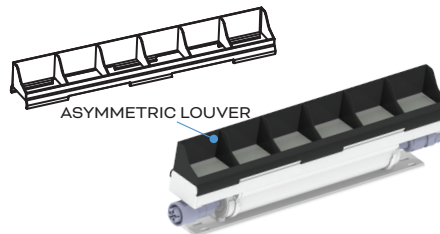
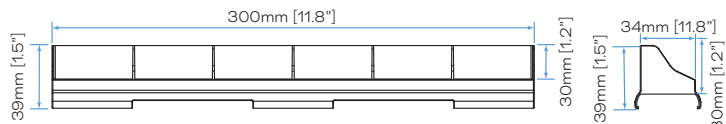
COVE LIGHT PLUS TRACK MOUNT



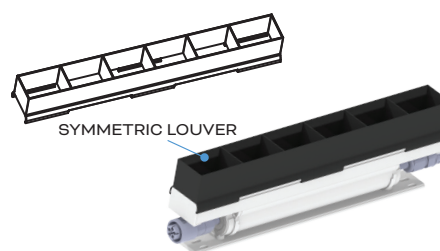
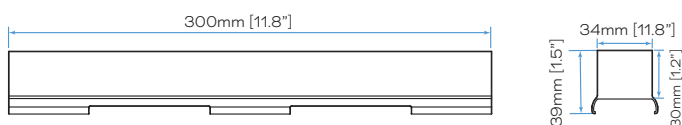
NOTE: Please see CAD files for additional dimensional data.

### Optical Accessories

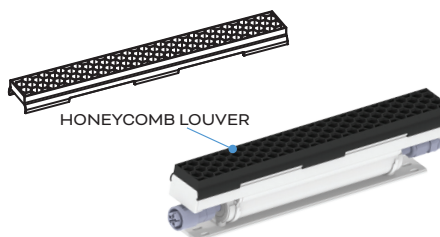
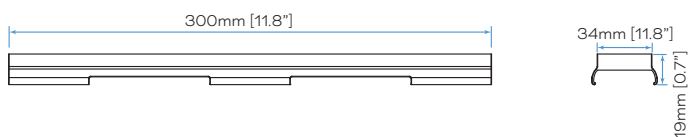
#### COVE LIGHT PLUS LOUVER (ASYM) 300



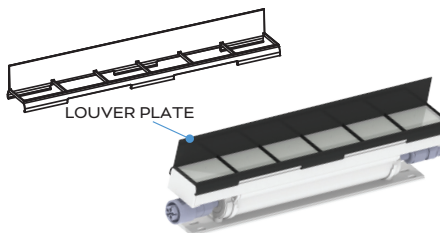
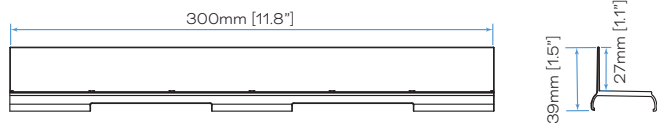
#### COVE LIGHT PLUS LOUVER (SYM) 300



#### COVE LIGHT PLUS HONEYCOMB LOUVER 300

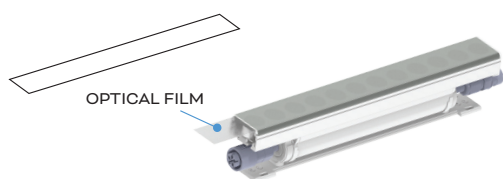


#### COVE LIGHT PLUS LOUVER PLATE 300

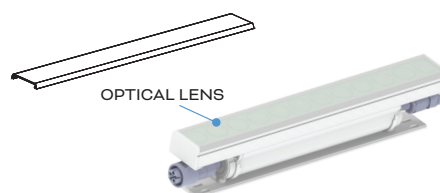


**NOTE:** All louver accessories are only available in 300mm (11.8") lengths. Fixture of 300mm or 1200mm length needs 1pc / 4pcs louvers respectively.

#### COVE LIGHT PLUS OPTICAL FILM (D) 300

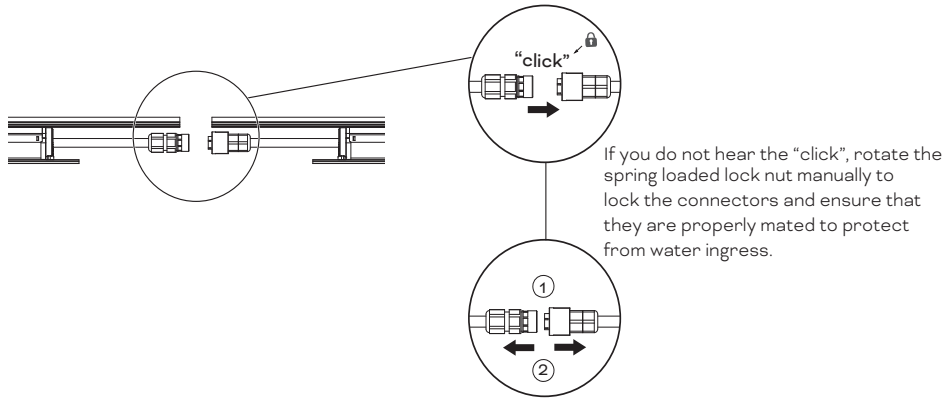


#### COVE LIGHT PLUS OPTICAL LENS CLEAR / FROSTED 300



**NOTE:** Please see CAD files for additional dimensional data.

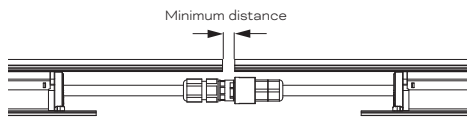
#### Cable Connection



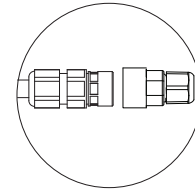
#### Cove-to-Cove Clearance

To maintain consistent LED pitch and to allow for thermal expansion for Cove Lights:

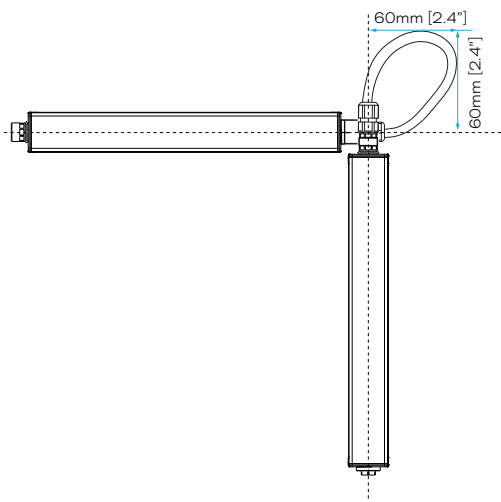
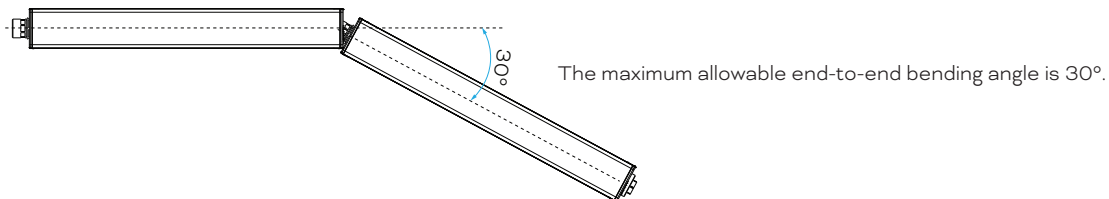
The minimum distance depends on the temperature difference.  
Normally, it is 5mm/0.2"



End Cap Seal on Last Cove Light Plus

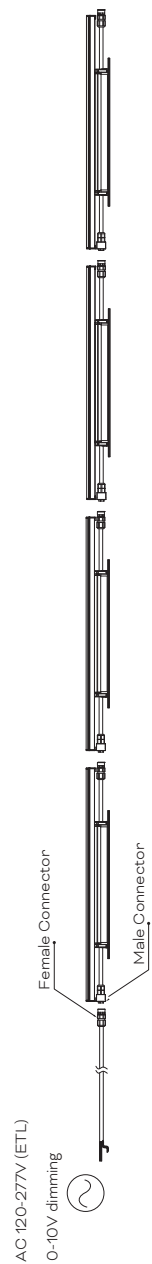
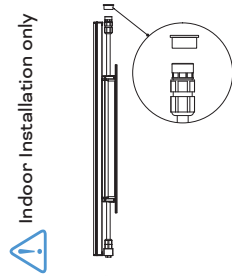


#### Cove-to-Cove Bending



If a greater bending angle is needed, please utilize an interconnection ( $\geq 300\text{mm} / 11.8\text{"}$ ) cable to link the fixtures.  
The typical bending radius should be 60mm [2.4"].

### Wiring Diagram with Starter Cable (0-10V Version)



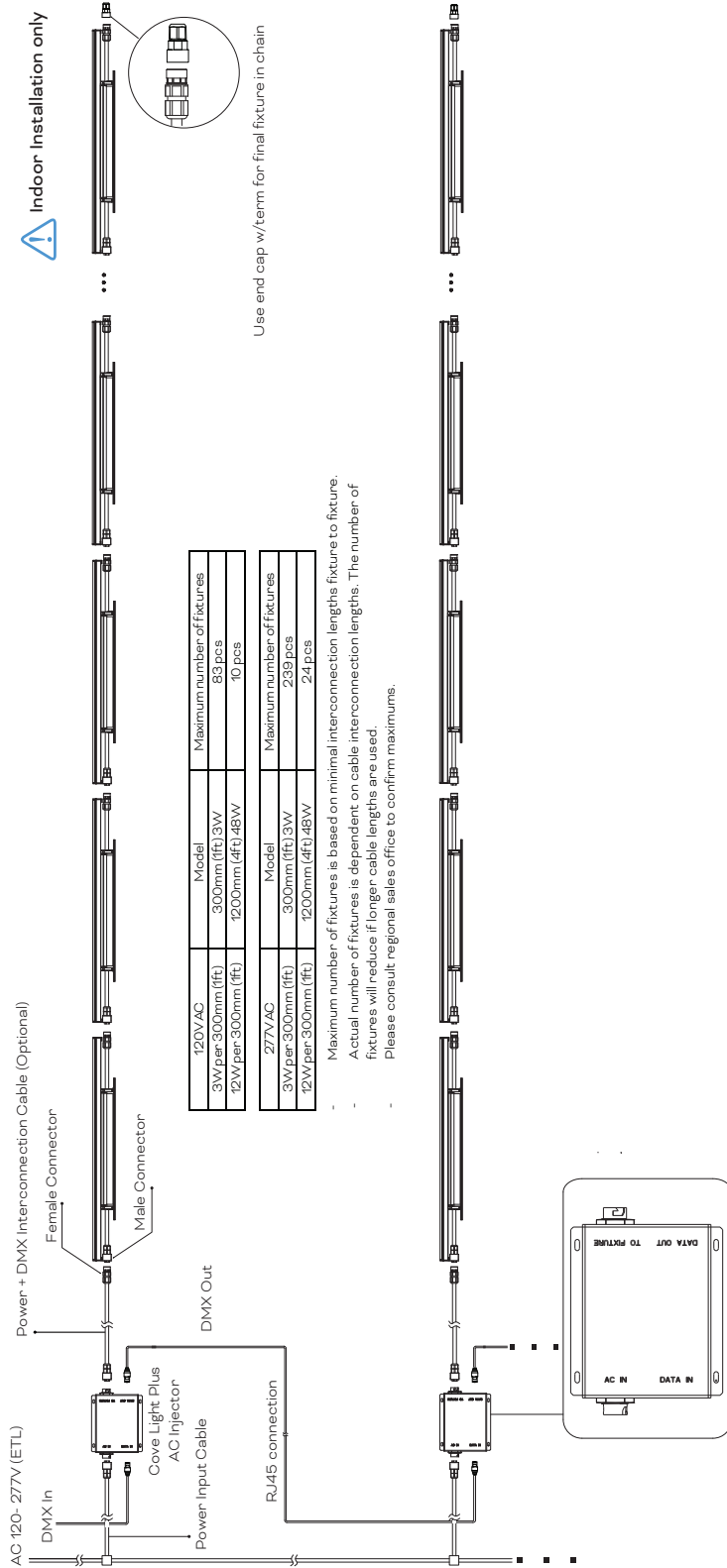
120V AC	Model	Maximum number of fixtures
3W per 300mm (1ft)	300mm (1ft) 3W	83 pcs
10W per 300mm (1ft)	1200mm (4ft) 40W	12 pcs
277V AC	Model	Maximum number of fixtures
3W per 300mm (1ft)	300mm (1ft) 3W	239 pcs
10W per 300mm (1ft)	1200mm (4ft) 40W	29 pcs

Function	Color
Line	Black
Neutral	White
0-10V Data+	Violet
0-10V Data-	Pink
DO NOT use	Green

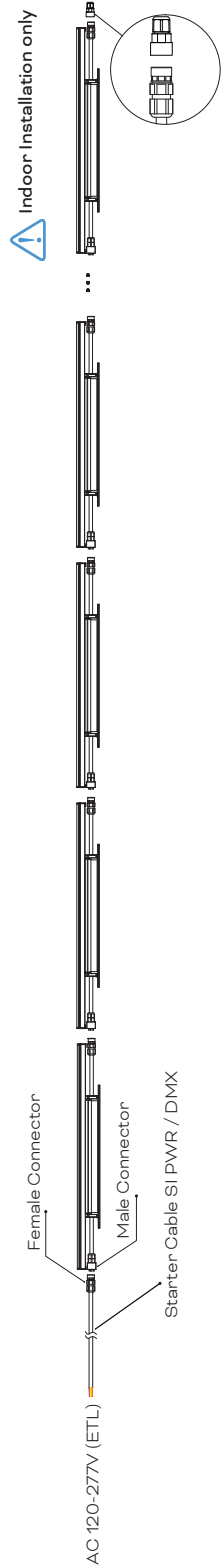
- Maximum number of fixtures is based on minimal interconnection lengths to fixture.
- Actual number of fixtures is dependent on cable interconnection lengths. The number of fixtures will reduce if longer cable lengths are used.
- Please consult regional sales office to confirm maximums.



### Wiring Diagram with Injector (DMX Version)



### Wiring Diagram with Starter Cable (DMX Version)



Use end cap w/term for final fixture in chain

120VAC	Model	Maximum number of fixtures
3W per 300mm (ft)	300mm (ft) 3W	83 pcs
12W per 300mm (ft)	1200mm (4ft) 48W	10 pcs
277VAC	Model	Maximum number of fixtures
3W per 300mm (ft)	300mm (ft) 3W	239 pcs
12W per 300mm (ft)	1200mm (4ft) 48W	24 pcs

Function	Color
Line	Black
Neutral	White
DMX+	Violet
DMX-	Pink
DO NOT use	Green

- Maximum number of fixtures is based on minimal interconnection lengths fixture to fixture.
- Actual number of fixtures is dependent on cable interconnection lengths. The number of fixtures will reduce if longer cable lengths are used.
- Please consult regional sales office to confirm maximums.

### Model Number Builder - 0-10V Version

CL	PL	1	NN	5	N	N	N	N	N	3	4	0	0	0	0
		Voltage	Power per 0.3m (ft)	LED	CCT	CRI	Optics/Beam	Optical Lens	Length**	Control	Approbation				
		1 - AC	03 - 3W	5 - White	0 - No CCT	0 - 80	0 - OB (Open Beam/120°)	0 - Clear	1 - 300mm (1ft)	3 - 0-10V	4 - cETLus				
			05 - 5W		1 - 2200K	1 - 90*	1 - 10° (native optics)	1 - Frosted	4 - 1200mm (4ft)						
			08 - 8W		2 - 2700K		4 - 20°								
			10 - 10W		3 - 3000K		5 - 30°								
					4 - 3500K		6 - 50°								
					5 - 4000K		7 - 60°								
					7 - 5700K		9 - 80°								
							B - 35°x10°								
							E - 60°x10°								
							G - 60°x20°								
							H - 60°x30°								
							J - ASY								

\*: ≥90 CRI not available in 2200K.

\*\* 450mm (18") length available by request. Please see your regional Traxon team regarding available and limitations.

EXAMPLE COVE LIGHT PLUS AC 8W 3000K OB CLEAR 300 0-10V ETL  
Model Number: CL.PL.108530001340000

CL	PL	1	08	5	3	0	0	0	1	3	4	0	0	0	0
----	----	---	----	---	---	---	---	---	---	---	---	---	---	---	---

### Project Model Number

CL	PL	1		5						3	4	0	0	0	0
----	----	---	--	---	--	--	--	--	--	---	---	---	---	---	---

### Model Number Builder - DMX Version

CL	PL	1	NN	5	N	N	N	N	N	N	4	0	N	0	0
		Voltage	Power per 0.3m (ft)	LED	CCT	CRI	Optics/Beam	Optical Lens	Length***	Control	Approbation	Pixel**			
		1 - AC	03 - 3W	5 - White	0 - No CCT	0 - 80	0 - OB (Open Beam/120°)	0 - Clear	1 - 300mm (1ft)	1 - DMX	4 - cETLus		1 - 1PXL/fixture		
			05 - 5W		1 - 2200K	1 - 90*	1 - 10° (native optics)	1 - Frosted	4 - 1200mm (4ft)	2 - RDM			4 - 4PXL/fixture		
			08 - 8W		2 - 2700K		4 - 20°								
			12 - 12W		3 - 3000K		5 - 30°								
					4 - 3500K		6 - 50°								
					5 - 4000K		7 - 60°								
					7 - 5700K		9 - 80°								
							B - 35°x10°								
							E - 60°x10°								
							G - 60°x20°								
							H - 60°x30°								
							J - ASY								

\*: ≥90 CRI not available in 2200K.

\*\* Standard Pixel: 300mm fixture - 1PXL, 1200mm fixture - 4 PXL.

\*\*\* 450mm (18") length available by request. Please see your regional Traxon team regarding available and limitations.

EXAMPLE COVE LIGHT PLUS AC 12W 3000K 30° CLEAR 300 DMX ETL 1PXL  
Model Number: CL.PL.112530501140100

CL	PL	1	12	5	3	0	5	0	1	1	4	0	1	0	0
----	----	---	----	---	---	---	---	---	---	---	---	---	---	---	---

### Project Model Number

CL	PL	1		5							4	0		0	0
----	----	---	--	---	--	--	--	--	--	--	---	---	--	---	---

### Cable/Connector - 0-10V Version

Model No.	Description	Item Code
CA.SC.SI.501000	STARTER CABLE SI 1M 0-10V ETL	DA23100472055
CA.SC.SI.503000	STARTER CABLE SI 3M 0-10V ETL	DA23100472155
CA.IC.SI.500300	INTERCONNECTION CABLE SI 0.3M 0-10V ETL	DL24102067155
CA.IC.SI.501000	INTERCONNECTION CABLE SI 1M 0-10V ETL	DA23100472455
CA.IC.SI.503000	INTERCONNECTION CABLE SI 3M 0-10V ETL	DA23100472555
N / A	END CAP SI	DA23100769355
CA.SC.SI.201000 & END CAP SI W/TERM	STARTER CABLE SI 1M 0-10V ETL & END CAP SI	DL24102065855
CA.SC.SI.203000 & END CAP SI W/TERM	STARTER CABLE SI 3M 0-10V ETL & END CAP SI	DL24102065955

### Cable/Connector - DMX Version

Model No.	Description	Item Code
CA.PC.SI.701000	POWER CABLE 1M (CL INJECTOR) ETL	DA23100472855
CA.PC.SI.703000	POWER CABLE 3M (CL INJECTOR) ETL	DA23100472955
CA.SC.SI.201000	STARTER CABLE SI 1M PWR/DMX ETL	DA23100473255
CA.SC.SI.203000	STARTER CABLE SI 3M PWR/DMX ETL	DA23100473355
CA.IC.SI.200300	INTERCONNECTION CABLE SI 0.3M PWR/DMX ETL	DL24102067355
CA.IC.SI.201000	INTERCONNECTION CABLE SI 1M PWR/DMX ETL	DA23100473655
CA.IC.SI.203000	INTERCONNECTION CABLE SI 3M PWR/DMX ETL	DA23100473755
N/A	END CAP SI W/TERM	DA23100769255
CA.SC.SI.201000 & END CAP SI W/TERM	STARTER CABLE SI 1M PWR/DMX ETL & END CAP SI W/TERM	DL24302066255
CA.SC.SI.203000 & END CAP SI W/TERM	STARTER CABLE SI 3M PWR/DMX ETL & END CAP SI W/TERM	DL24302066355

### Injector & Wiring Box

Model No.	Description	Item Code
N/A	COVE LIGHT PLUS AC INJECTOR	DA23100474055
N/A	COVE LIGHT PLUS AC INJECTOR & END CAP SI W/TERM	DL24302066655
N/A	COVE LIGHT PLUS WIRING BOX	DA24102044355

### Optical Accessory - Louver

Model No.	Description	Item Code
CLPLLO-S.600200	COVE LIGHT PLUS LOUVER (SYM) 300	DA24102053255
CLPLLO-A.600200	COVE LIGHT PLUS LOUVER (ASYM) 300	DA24102053355
CLPLLO-.P.600200	COVE LIGHT PLUS LOUVER PLATE 300	DA24102053455
CLPL.HC.600200	COVE LIGHT PLUS HONEYCOMB LOUVER 300	DA24102053555

### Optical Accessories - Optical Film

Model No.	Description	Item Code
CLPLOL.608400	COVE LIGHT PLUS OPTICAL LENS CLEAR 300	DA24102044455
CLPLOL.908400	COVE LIGHT PLUS OPTICAL LENS CLEAR 1200	DA24102044755
CLPLOL.608500	COVE LIGHT PLUS OPTICAL LENS FROSTED 300	DA24102044855
CLPLOL.908500	COVE LIGHT PLUS OPTICAL LENS FROSTED 1200	DA24102045155
CLPLOF-D.611000	COVE LIGHT PLUS OPTICAL FILM (D) 20° 300	DA24102045255
CLPLOF-D.612000	COVE LIGHT PLUS OPTICAL FILM (D) 30° 300	DA24102045355
CLPLOF-D.613000	COVE LIGHT PLUS OPTICAL FILM (D) 50° 300	DA24102045455
CLPLOF-D.614000	COVE LIGHT PLUS OPTICAL FILM (D) 60° 300	DA24102045555
CLPLOF-D.616000	COVE LIGHT PLUS OPTICAL FILM (D) 80° 300	DA24102045655
CLPLOF-D.618000	COVE LIGHT PLUS OPTICAL FILM (D) 35°x10° 300	DA24102045755
CLPLOF-D.621000	COVE LIGHT PLUS OPTICAL FILM (D) 60°x10° 300	DA24102045855
CLPLOF-D.623000	COVE LIGHT PLUS OPTICAL FILM (D) 60°x30° 300	DA24102045955
CLPLOF-D.624000	COVE LIGHT PLUS OPTICAL FILM (D) 60°x20° 300	DA24102046055
CLPLOF-D.911000	COVE LIGHT PLUS OPTICAL FILM (D) 20° 1200	DA24102047955
CLPLOF-D.912000	COVE LIGHT PLUS OPTICAL FILM (D) 30° 1200	DA24102048055
CLPLOF-D.913000	COVE LIGHT PLUS OPTICAL FILM (D) 50° 1200	DA24102048155
CLPLOF-D.914000	COVE LIGHT PLUS OPTICAL FILM (D) 60° 1200	DA24102048255
CLPLOF-D.916000	COVE LIGHT PLUS OPTICAL FILM (D) 80° 1200	DA24102048355
CLPLOF-D.918000	COVE LIGHT PLUS OPTICAL FILM (D) 35°x10° 1200	DA24102048455
CLPLOF-D.921000	COVE LIGHT PLUS OPTICAL FILM (D) 60°x10° 1200	DA24102048555
CLPLOF-D.923000	COVE LIGHT PLUS OPTICAL FILM (D) 60°x20° 1200	DA24102048655
CLPLOF-D.924000	COVE LIGHT PLUS OPTICAL FILM (D) 60°x30° 1200	DA24102048755

Note: No ASY OPTICAL Film (must use native optics fixture and not by Optical Film)

### Mounting Accessories

Model No.	Description	Item Code
N/A	COVE LIGHT PLUS TRACK 300	DA24102053655
N/A	COVE LIGHT PLUS TRACK 1200	DA24102053955
N/A	COVE LIGHT PLUS TRACK 2400	DA24102054055
N/A	COVE LIGHT PLUS TRACK 300 (10 PCS)	DA24102056455
N/A	COVE LIGHT PLUS TRACK 1200 (10 PCS)	DA24102056755
N/A	COVE LIGHT PLUS TRACK 2400 (10 PCS)	DA24102056855
N/A	COVE LIGHT PLUS CLIP MOUNT (10 PCS)	DA24102054155
N/A	COVE LIGHT PLUS CLIP MOUNT (2PCS) WITH TRACK 300	DA24102054255
N/A	COVE LIGHT PLUS CLIP MOUNT (2PCS) WITH TRACK 1200	DA24102054555