



TRAXON

Linear Go Midi White On / Off



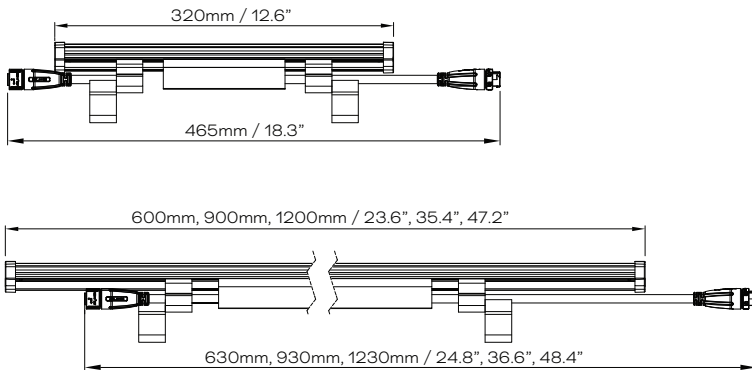
The Traxon Linear Go Midi is a DC line powered exterior luminaire used to distinguish facades, walls, and architectural landmarks with a powerful, even color wash effect. Linear Go's high-value design features efficient electrical and optical systems, making it ideal for budget-conscious projects.

Features

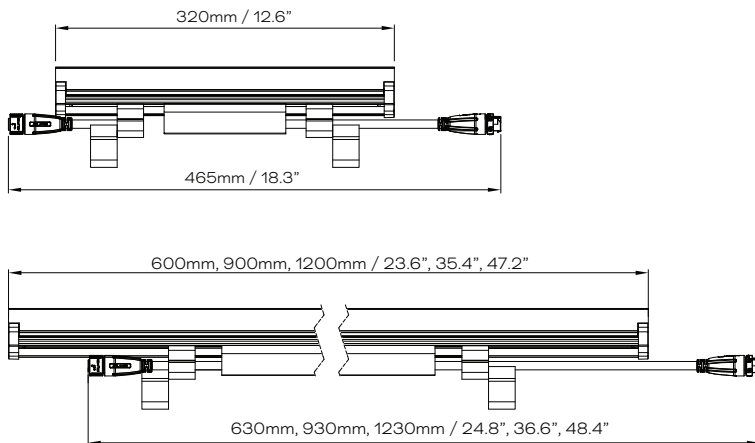
- On / Off control
- Easy installation and maintenance

Dimensions

Without Glare Shield



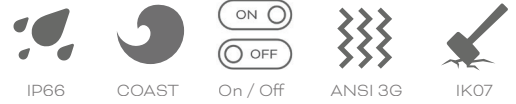
With Glare Shield



TRAXON Go⁺

Project: _____

Type: _____



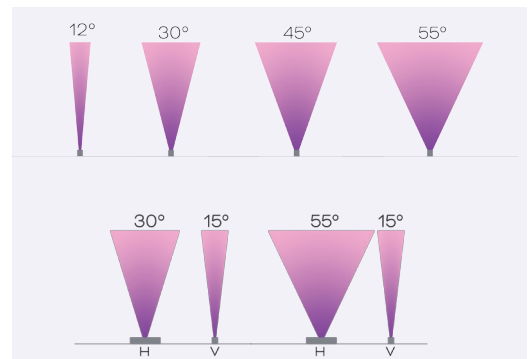
Technologies

- On / Off control

Color Options



Beam Angle



Finish



Product Specifications

Linear Go Midi White On / Off				
Model	320mm / 12.6"	600mm / 23.6"	900mm / 35.4"	1200mm / 47.2"
Light Source	White LED			
Color Range	White 2700K, 3000K, 4000K, 5700K, 6500K			
LED Quantity	8pcs	16pcs	24pcs	32pcs
Luminous Flux	White 4000K: 760 lm (30°)	White 4000K: 1520 lm (30°)	White 4000K: 2280 lm (30°)	White 4000K: 3040 lm (30°)
Efficacy	White 4000K: 95 lm/W (full on 30°)			
Beam Angles	12°, 30°, 45°, 55°, 30° x 15°, 55° x 15°			
Cover Lens	Glass			
Housing	Aluminum			
Housing Finish Options	Traxon Signature Gray (RAL7005)			
Adjustment Options	-90° to +90°			
Mounting	Mounting Bracket			
Dimensions (Without Glare Shield) (L x W x H, Mounting Bracket included)	320mm x 38mm x 76mm 12.6" x 1.5" x 3.0"	600mm x 38mm x 76mm 23.6" x 1.5" x 3.0"	900mm x 38mm x 76mm 35.4" x 1.5" x 3.0"	1200mm x 38mm x 76mm 47.2" x 1.5" x 3.0"
Dimensions (With Glare Shield) (L x W x H, Mounting Bracket included)	320mm x 38mm x 94.6mm 12.6" x 1.5" x 3.7"	600mm x 38mm x 94.6mm 23.6" x 1.5" x 3.7"	900mm x 38mm x 94.6mm 35.4" x 1.5" x 3.7"	1200mm x 38mm x 94.6mm 47.2" x 1.5" x 3.7"
Weight (Without Glare Shield)	0.54kg / 1.19lbs	0.94kg / 2.07lbs	1.39kg / 3.06lbs	1.66kg / 3.66lbs
Weight (With Glare Shield)	0.59kg / 1.3lbs	1.02kg / 2.25lbs	1.52kg / 3.35lbs	1.83kg / 4.03lbs
Regulatory Listing & Safety Approval	CE, UKCA, cETLus, FCC, ANSI C136.31-3G			
Operating Temperature	-30°C to +50°C (-22°F to +122°F)			
Minimum Starting Temperature	-20°C (-4°F)			
Storage Temperature	-40°C to +80°C (-40°F to +176°F)			
Environment	Outdoor, IP66, IK07, Coastal Environment (ASTM B117-16)			
Humidity	85%, non-condensing			

Electrical Specifications

Input Voltage	24V DC			
Power Consumption	8W	16W	24W	32W
Lumen Maintenance	L70 50000hrs @ 25°C			

System Specifications

Power Supply	CE market: LED Engine 24V ETL market: LED Engine 24V (Class 2)
Control	On / Off

LED CHARACTERISTICS Because LEDs are semiconductor devices, their performances are subject to inherent variability commonly found in semiconductor industry. To improve consistency in performance across the same product, LED manufacturers "sort" LEDs into bins according to different preset parameters, such as forward driving voltage, illumination, etc. Whereas binning is a sorting function, it is not a correction process. Inherent variability in the manufacturing process results always in different binning distributions according to different production lots. Traxon uses automatically binned LEDs on its products, thereby minimizing output variations within the model range.

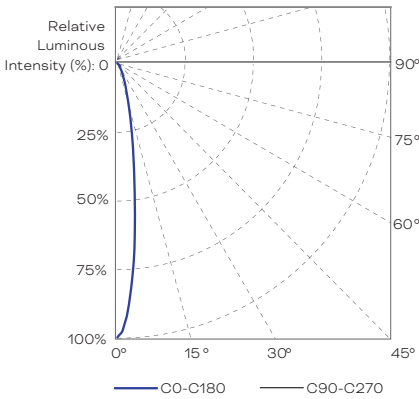
As with all electronic devices, LED output degrades over time – a term called lumen depreciation. This also explains why it is nearly impossible to expect photometric performances of two LED products with different service life spans to be the same. The rate of LED degrade is a complex function of many factors such as operating efficiency, duration of continuous operation, and more significantly, environmental conditions (ambient temperature for example). If allowed working under optimal operating temperature range and with good ventilation, LED devices enjoy long service lives over conventional light sources. When using/installing LED devices, care should be taken to ensure that the devices will operate within the operating conditions specified in respective product literature.

Lumen measurement complies with LM-79-09 standard.
Lumen maintenance is calculated based on LM-80 compliant measurement.

Source Specifications

Source	White LED
Optics	12°

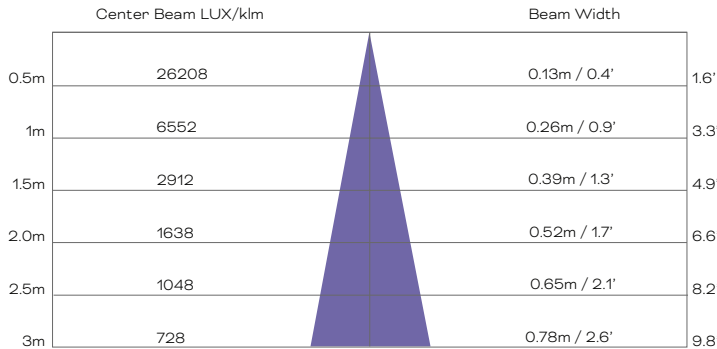
Candela Distribution



Light Output

	Color	Luminous Flux (lm)	Center Intensity (cd)	Efficacy (lm/W)
320mm / 12.6"	3000K	680	4609	85
	4000K	760	5152	95
600mm / 23.6"	3000K	1360	9219	85
	4000K	1520	10303	95
900mm / 35.4"	3000K	2040	13828	85
	4000K	2280	15455	95
1200mm / 47.2"	3000K	2720	18437	85
	4000K	3040	20606	95

Illuminance at a Distance



For fo divide by 10.7

■ Horiz.Spread: 14.8°

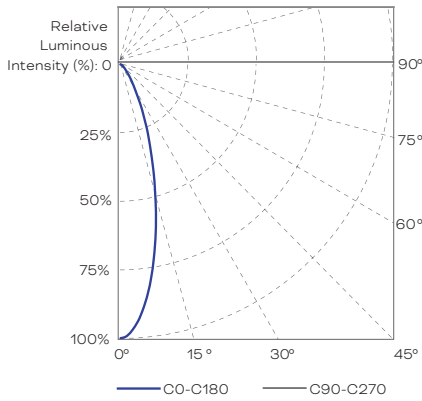
IES and LDT files are available for download from the Traxon website.

Color	Distance	320mm / 12.6"		600mm / 23.6"		900mm / 35.4"		1200mm / 47.2"	
		Illuminance		Illuminance		Illuminance		Illuminance	
		LUX	FC	LUX	FC	LUX	FC	LUX	FC
3000K	0.5m / 1.6'	17821	1666	35643	3331	53464	4997	71286	6662
	1m / 3.3'	4455	416	8911	833	13366	1249	17821	1666
	1.5m / 4.9'	1980	185	3960	370	5940	555	7921	740
	2m / 6.6'	1114	104	2228	208	3342	312	4455	416
	2.5m / 8.2'	713	67	1425	133	2138	200	2851	266
	3m / 9.8'	495	46	990	93	1485	139	1980	185
4000K	0.5m / 1.6'	19918	1861	39836	3723	59754	5584	79672	7446
	1m / 3.3'	4980	465	9959	931	14939	1396	19918	1861
	1.5m / 4.9'	2213	207	4426	414	6639	620	8852	827
	2m / 6.6'	1245	116	2490	234	3735	349	4980	465
	2.5m / 8.2'	796	74	1593	149	2389	223	3186	298
	3m / 9.8'	553	52	1107	103	1660	155	2213	207

Source Specifications

Source	White LED
Optics	30°

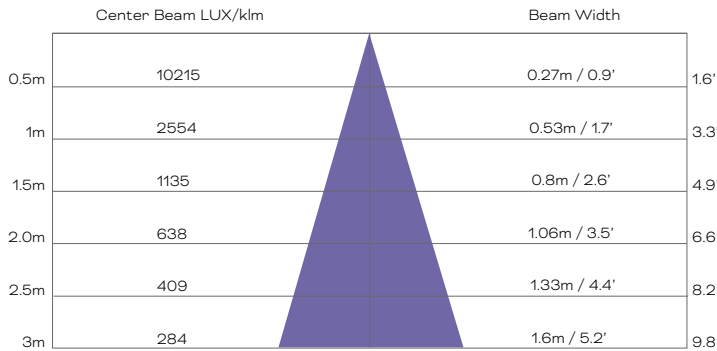
Candela Distribution



Light Output

	Color	Luminous Flux (lm)	Center Intensity (cd)	Efficacy (lm/W)
320mm / 12.6"	3000K	680	1741	85
	4000K	760	1946	95
600mm / 23.6"	3000K	1360	3483	85
	4000K	1520	3893	95
900mm / 35.4"	3000K	2040	5224	85
	4000K	2280	5839	95
1200mm / 47.2"	3000K	2720	6966	85
	4000K	3040	7785	95

Illuminance at a Distance



For fc divide by 10.7

■ Horiz. Spread: 29.8°

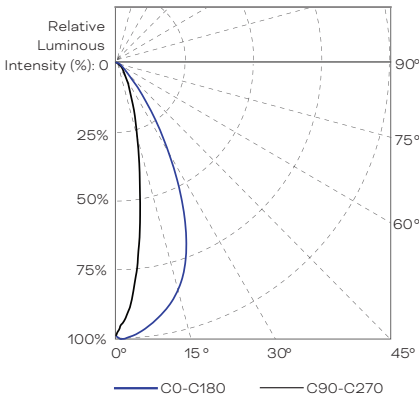
IES and LDT files are available for download from the Traxon website.

Color	Distance	320mm / 12.6"		600mm / 23.6"		900mm / 35.4"		1200mm / 47.2"	
		LUX	FC	LUX	FC	LUX	FC	LUX	FC
3000K	0.5m / 1.6'	6946	649	13892	1298	20839	1948	27785	2597
	1m / 3.3'	1737	162	3473	325	5210	487	6947	649
	1.5m / 4.9'	772	72	1544	144	2315	216	3087	289
	2m / 6.6'	434	41	868	81	1302	122	1735	162
	2.5m / 8.2'	278	26	556	52	834	78	1112	104
	3m / 9.8'	193	18	386	36	579	54	772	72
4000K	0.5m / 1.6'	7763	726	15527	1451	23290	2177	31054	2902
	1m / 3.3'	1941	181	3882	363	5823	544	7764	726
	1.5m / 4.9'	863	81	1725	161	2588	242	3450	322
	2m / 6.6'	485	45	970	91	1455	136	1940	181
	2.5m / 8.2'	311	29	622	58	933	87	1243	116
	3m / 9.8'	216	20	432	40	648	61	863	81

Source Specifications

Source	White LED
Optics	55° x 15°

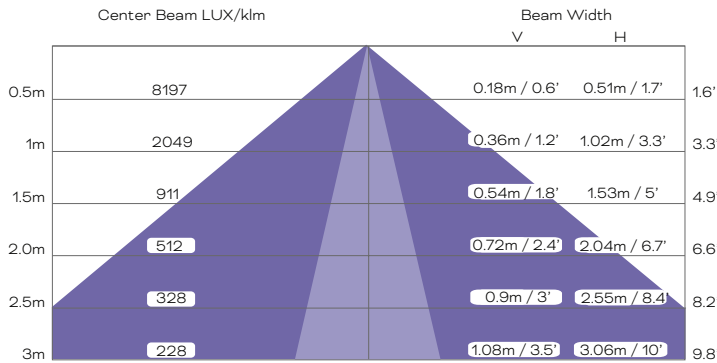
Candela Distribution



Light Output

	Color	Luminous Flux (lm)	Center Intensity (cd)	Efficacy (lm/W)
320mm / 12.6"	3000K	680	1435	85
	4000K	760	1604	95
600mm / 23.6"	3000K	1360	2870	85
	4000K	1520	3208	95
900mm / 35.4"	3000K	2040	4306	85
	4000K	2280	4812	95
1200mm / 47.2"	3000K	2720	5741	85
	4000K	3040	6416	95

Illuminance at a Distance

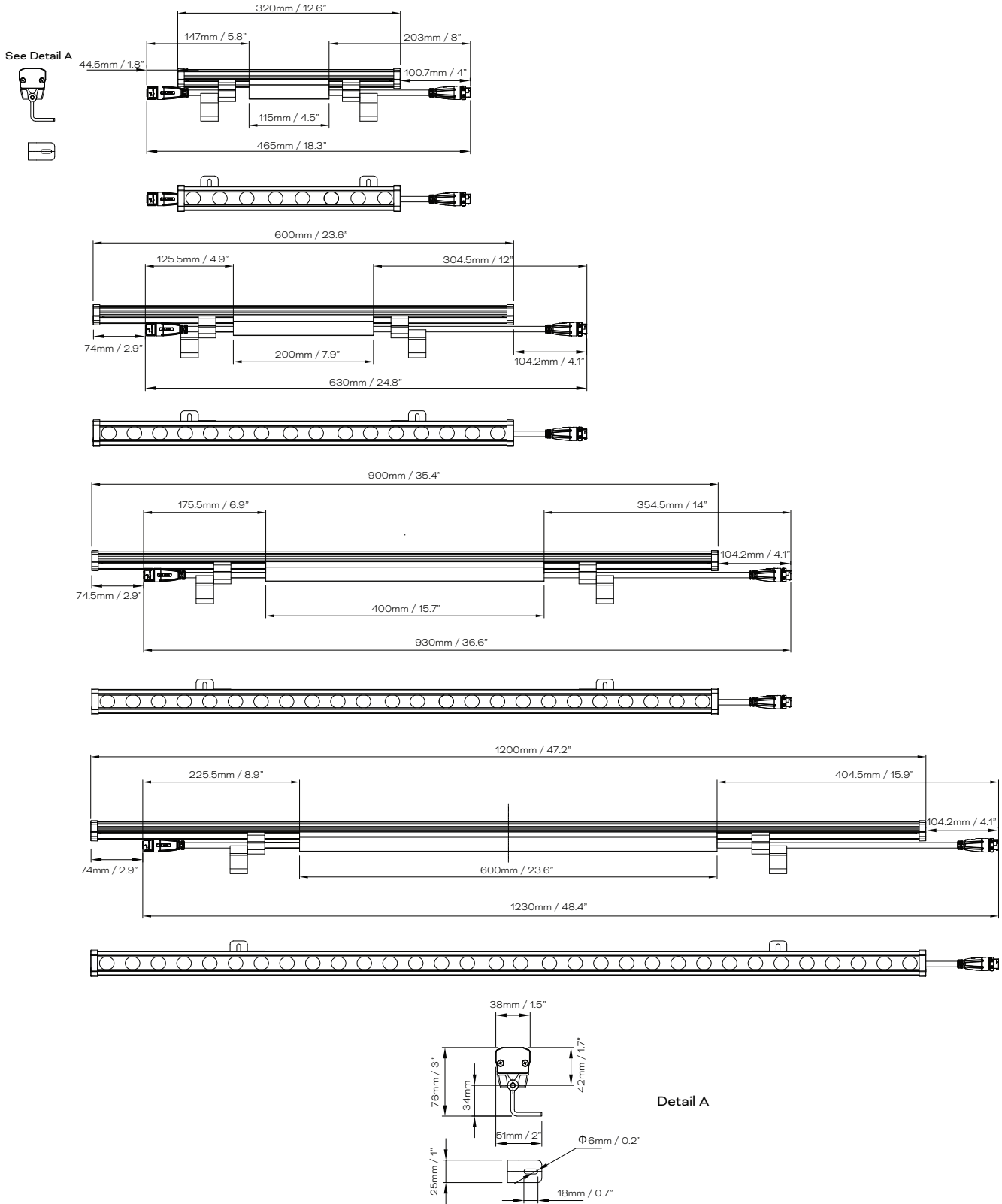


For fc divide by 10.7

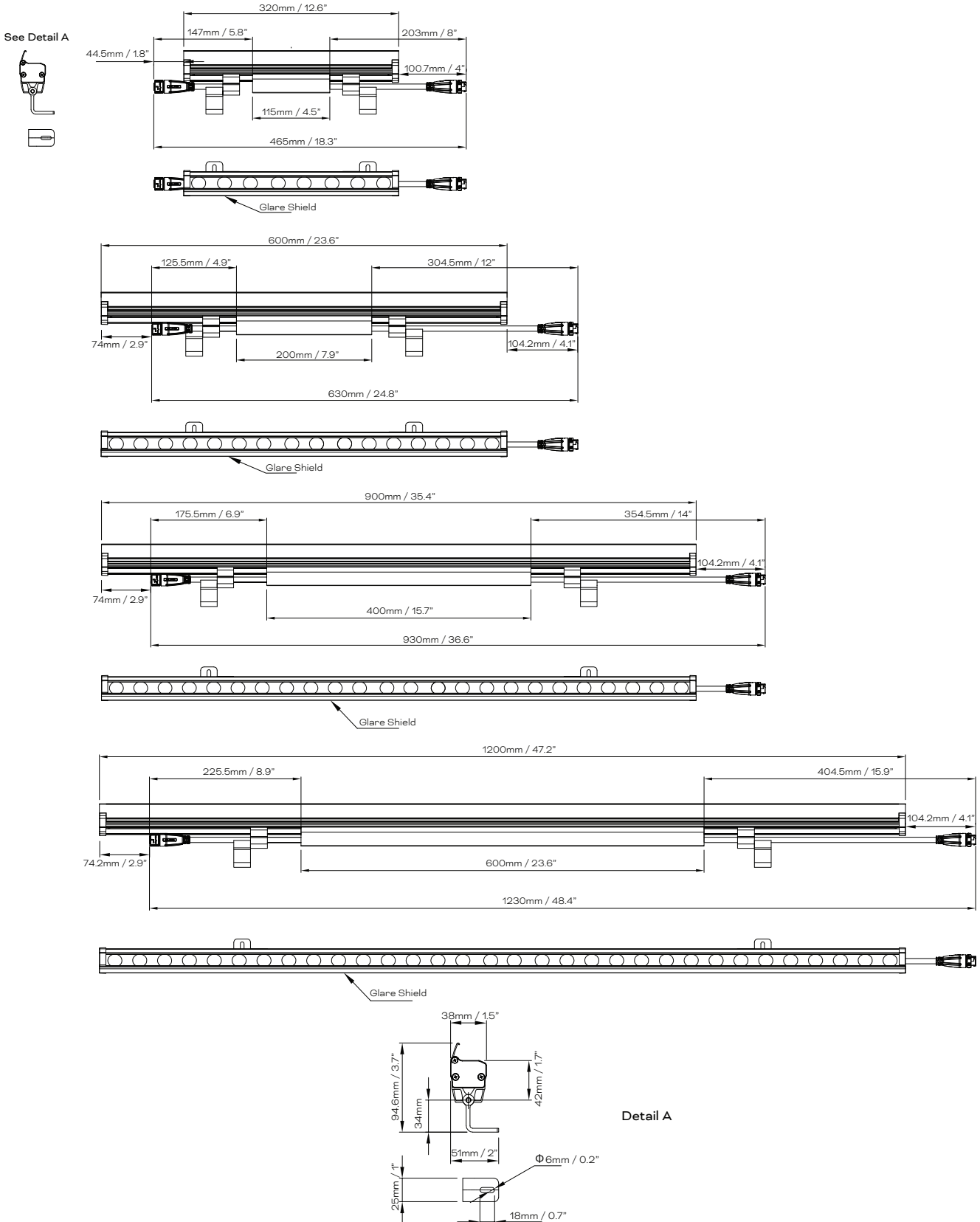
IES and LDT files are available for download from the Traxon website.

Color	Distance	320mm / 12.6"		600mm / 23.6"		900mm / 35.4"		1200mm / 47.2"	
		Illuminance		Illuminance		Illuminance		Illuminance	
		LUX	FC	LUX	FC	LUX	FC	LUX	FC
3000K	0.5m / 1.6'	5574	521	11148	1042	16722	1563	22296	2084
	1m / 3.3'	1393	130	2787	260	4180	391	5573	521
	1.5m / 4.9'	619	58	1239	116	1858	174	2478	232
	2m / 6.6'	348	33	696	65	1044	98	1393	130
	2.5m / 8.2'	223	21	446	42	669	63	892	83
	3m / 9.8'	155	14	310	29	465	43	620	58
4000K	0.5m / 1.6'	6230	582	12459	1164	18689	1747	24919	2329
	1m / 3.3'	1557	146	3114	291	4671	437	6229	582
	1.5m / 4.9'	692	65	1385	129	2077	194	2769	259
	2m / 6.6'	389	36	778	73	1167	109	1556	145
	2.5m / 8.2'	249	23	499	47	748	70	997	93
	3m / 9.8'	173	16	347	32	520	49	693	65

Fixture Dimensions (Without Glare Shield)

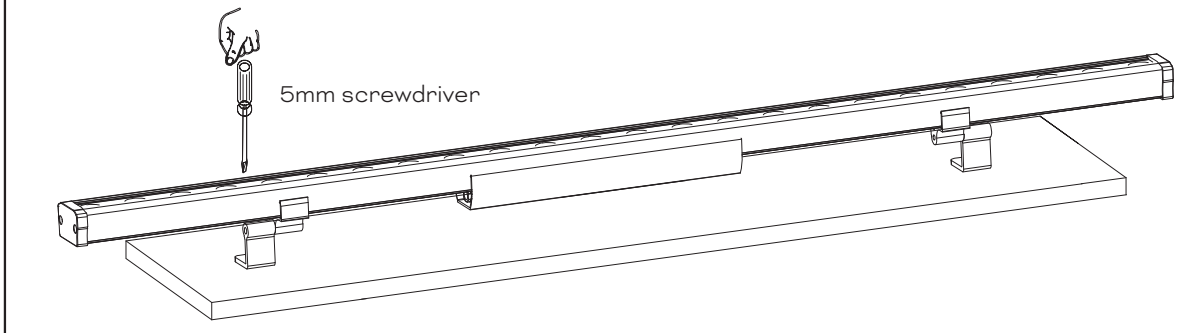


Fixture Dimensions (With Glare Shield)

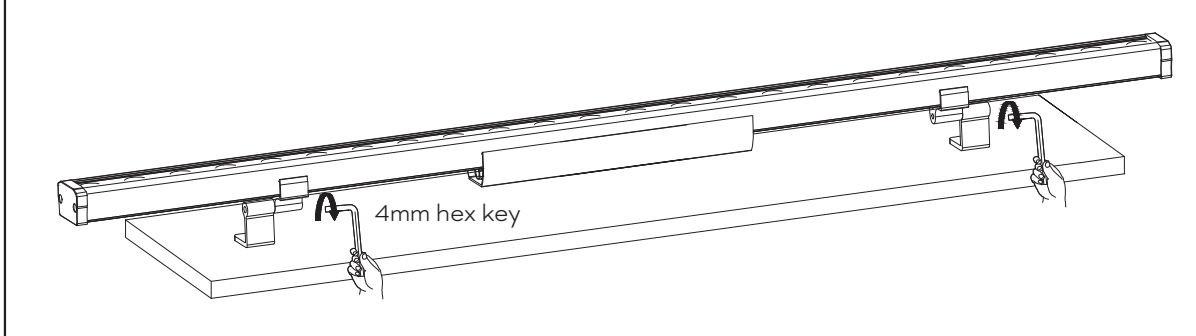


Bracket Mounting

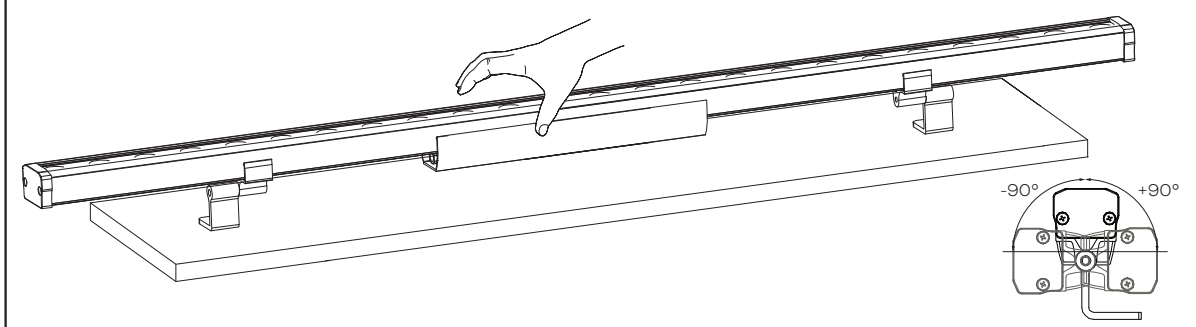
1 Fix the brackets and fixture fixing surface



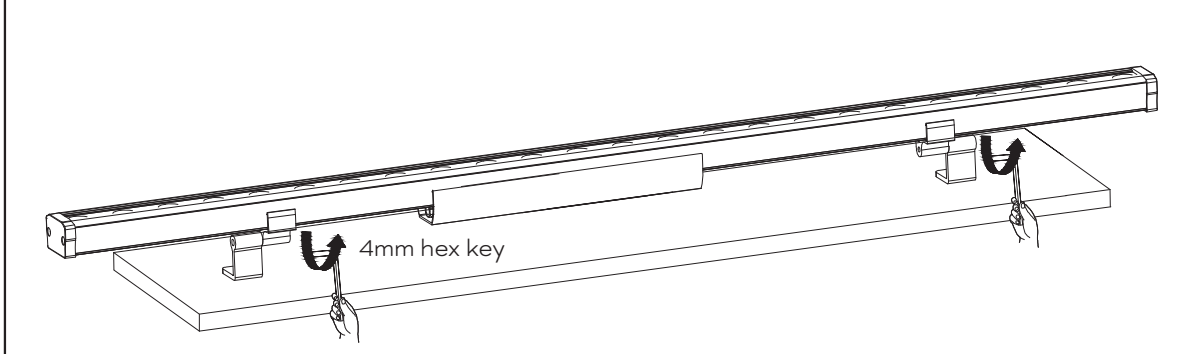
2 Loosen the bolts

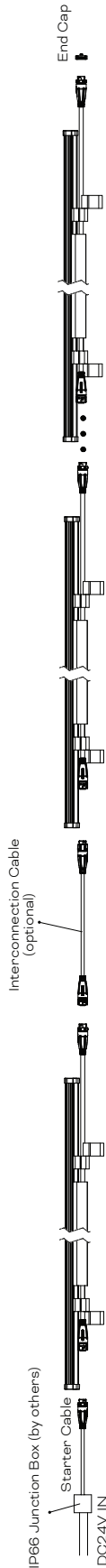


3 Adjust the fixture to desired angle



4 Fix the fixture with its desired angle





- Maximum number of fixture per input power line cannot exceed total wattage of 168W (CE), and 100W (US Class 2 PSU).

- Linear Go midi 320mm / 12.6"; 8W
- Linear Go midi 600mm / 23.6"; 16W
- Linear Go midi 900mm / 35.4"; 24W
- Linear Go midi 1200mm / 47.2"; 32W

Example:

Fixture daisy chain		
Voltage	Fixture Total Power Consumption *	Max Number of fixtures
24V DC (CE)	160W	e.g. 5pcs 1200mm per PSU input chain
24V DC (ETL) with Class 2 PSU	88W	e.g. 2pcs 1200mm + 3pcs 320mm per PSU input chain

Maximum number of fixtures is based on minimal interconnection lengths fixture to fixture.
Actual number of fixtures is dependent on cable interconnection lengths. The number of fixtures will reduce if longer cable lengths are used. Please consult regional sales office to confirm maximums.

* Consider some Power Supply Unit (PSU) wattage buffer for total power consumption

Function	Wire Size	Color	Connection
DC24V+	1.0mm ²	Black	DC24V+
DC24V- & GND	1.0mm ²	White	DC24V- & GND

Fixtures Model Number

XB	.	LG	.	2		NN		N		N		N		0		3		N		00
						Housing + Voltage		Wattage (Power)		LED		Optics		Length		Control		Approbation		Add on
						Midi DC		08: 8W		B: 2700K		1: 12°		1: 320mm		On / Off		CE & ETL		0: Without GS
								16: 16W		C: 3000K		4: 30°		3: 600mm						1: With GS
								24: 24W		E: 4000K		5: 45°		4: 900mm						
								32: 32W		H: 5700K		6: 55°		6: 1200mm						
										I: 6500K		7: 30° x 15°								
												8: 55° x 15°								

Desired Model Number:

XB	.	LG	.	2										1		3				00
----	---	----	---	---	--	--	--	--	--	--	--	--	--	---	--	---	--	--	--	----

Fixtures

Model No.	Description	Item Code
XB.LG.208B1103000	LINEAR GO MIDI DC 8W 2700K 12° 320 ON/OFF	DL23100196255
XB.LG.216B1303000	LINEAR GO MIDI DC 16W 2700K 12° 600 ON/OFF	DL23100196355
XB.LG.224B1403000	LINEAR GO MIDI DC 24W 2700K 12° 900 ON/OFF	DL23100196455
XB.LG.232B1603000	LINEAR GO MIDI DC 32W 2700K 12° 1200 ON/OFF	DL23100196555
XB.LG.208B4103000	LINEAR GO MIDI DC 8W 2700K 30° 320 ON/OFF	DL23100197455
XB.LG.216B4303000	LINEAR GO MIDI DC 16W 2700K 30° 600 ON/OFF	DL23100197555
XB.LG.224B4403000	LINEAR GO MIDI DC 24W 2700K 30° 900 ON/OFF	DL23100197655
XB.LG.232B4603000	LINEAR GO MIDI DC 32W 2700K 30° 1200 ON/OFF	DL23100197755
XB.LG.208B5103000	LINEAR GO MIDI DC 8W 2700K 45° 320 ON/OFF	DL23100198055
XB.LG.216B5303000	LINEAR GO MIDI DC 16W 2700K 45° 600 ON/OFF	DL23100198155
XB.LG.224B5403000	LINEAR GO MIDI DC 24W 2700K 45° 900 ON/OFF	DL23100198255
XB.LG.232B5603000	LINEAR GO MIDI DC 32W 2700K 45° 1200 ON/OFF	DL23100198355
XB.LG.208B6103000	LINEAR GO MIDI DC 8W 2700K 55° 320 ON/OFF	DL23100198655
XB.LG.216B6303000	LINEAR GO MIDI DC 16W 2700K 55° 600 ON/OFF	DL23100198755
XB.LG.224B6403000	LINEAR GO MIDI DC 24W 2700K 55° 900 ON/OFF	DL23100198855
XB.LG.232B6603000	LINEAR GO MIDI DC 32W 2700K 55° 1200 ON/OFF	DL23100198955
XB.LG.208B7103000	LINEAR GO MIDI DC 8W 2700K 30°x15° 320 ON/OFF	DL23100199255
XB.LG.216B7303000	LINEAR GO MIDI DC 16W 2700K 30°x15° 600 ON/OFF	DL23100199355
XB.LG.224B7403000	LINEAR GO MIDI DC 24W 2700K 30°x15° 900 ON/OFF	DL23100199455
XB.LG.232B7603000	LINEAR GO MIDI DC 32W 2700K 30°x15° 1200 ON/OFF	DL23100199555
XB.LG.208B8103000	LINEAR GO MIDI DC 8W 2700K 55°x15° 320 ON/OFF	DL23100199855
XB.LG.216B8303000	LINEAR GO MIDI DC 16W 2700K 55°x15° 600 ON/OFF	DL23100199955
XB.LG.224B8403000	LINEAR GO MIDI DC 24W 2700K 55°x15° 900 ON/OFF	DL23100200055
XB.LG.232B8603000	LINEAR GO MIDI DC 32W 2700K 55°x15° 1200 ON/OFF	DL23100200155
XB.LG.208C1103000	LINEAR GO MIDI DC 8W 3000K 12° 320 ON/OFF	DL23100200455
XB.LG.216C1303000	LINEAR GO MIDI DC 16W 3000K 12° 600 ON/OFF	DL23100200555
XB.LG.224C1403000	LINEAR GO MIDI DC 24W 3000K 12° 900 ON/OFF	DL23100200655
XB.LG.232C1603000	LINEAR GO MIDI DC 32W 3000K 12° 1200 ON/OFF	DL23100200755
XB.LG.208C4103000	LINEAR GO MIDI DC 8W 3000K 30° 320 ON/OFF	DL23100201655
XB.LG.216C4303000	LINEAR GO MIDI DC 16W 3000K 30° 600 ON/OFF	DL23100201755
XB.LG.224C4403000	LINEAR GO MIDI DC 24W 3000K 30° 900 ON/OFF	DL23100201855
XB.LG.232C4603000	LINEAR GO MIDI DC 32W 3000K 30° 1200 ON/OFF	DL23100201955
XB.LG.208C5103000	LINEAR GO MIDI DC 8W 3000K 45° 320 ON/OFF	DL23100202255
XB.LG.216C5303000	LINEAR GO MIDI DC 16W 3000K 45° 600 ON/OFF	DL23100202355
XB.LG.224C5403000	LINEAR GO MIDI DC 24W 3000K 45° 900 ON/OFF	DL23100202455
XB.LG.232C5603000	LINEAR GO MIDI DC 32W 3000K 45° 1200 ON/OFF	DL23100202555

Fixtures

Model No.	Description	Item Code
XB.LG.208C6103000	LINEAR GO MIDI DC 8W 3000K 55° 320 ON/OFF	DL23100202855
XB.LG.216C6303000	LINEAR GO MIDI DC 16W 3000K 55° 600 ON/OFF	DL23100202955
XB.LG.224C6403000	LINEAR GO MIDI DC 24W 3000K 55° 900 ON/OFF	DL23100203055
XB.LG.232C6603000	LINEAR GO MIDI DC 32W 3000K 55° 1200 ON/OFF	DL23100203155
XB.LG.208C7103000	LINEAR GO MIDI DC 8W 3000K 30°x15° 320 ON/OFF	DL23100203455
XB.LG.216C7303000	LINEAR GO MIDI DC 16W 3000K 30°x15° 600 ON/OFF	DL23100203555
XB.LG.224C7403000	LINEAR GO MIDI DC 24W 3000K 30°x15° 900 ON/OFF	DL23100203655
XB.LG.232C7603000	LINEAR GO MIDI DC 32W 3000K 30°x15° 1200 ON/OFF	DL23100203755
XB.LG.208C8103000	LINEAR GO MIDI DC 8W 3000K 55°x15° 320 ON/OFF	DL23100204055
XB.LG.216C8303000	LINEAR GO MIDI DC 16W 3000K 55°x15° 600 ON/OFF	DL23100204155
XB.LG.224C8403000	LINEAR GO MIDI DC 24W 3000K 55°x15° 900 ON/OFF	DL23100204255
XB.LG.232C8603000	LINEAR GO MIDI DC 32W 3000K 55°x15° 1200 ON/OFF	DL23100204355
XB.LG.208E1103000	LINEAR GO MIDI DC 8W 4000K 12° 320 ON/OFF	DL23100204655
XB.LG.216E1303000	LINEAR GO MIDI DC 16W 4000K 12° 600 ON/OFF	DL23100204755
XB.LG.224E1403000	LINEAR GO MIDI DC 24W 4000K 12° 900 ON/OFF	DL23100204855
XB.LG.232E1603000	LINEAR GO MIDI DC 32W 4000K 12° 1200 ON/OFF	DL23100204955
XB.LG.208E4103000	LINEAR GO MIDI DC 8W 4000K 30° 320 ON/OFF	DL23100205855
XB.LG.216E4303000	LINEAR GO MIDI DC 16W 4000K 30° 600 ON/OFF	DL23100205955
XB.LG.224E4403000	LINEAR GO MIDI DC 24W 4000K 30° 900 ON/OFF	DL23100206055
XB.LG.232E4603000	LINEAR GO MIDI DC 32W 4000K 30° 1200 ON/OFF	DL23100206155
XB.LG.208E5103000	LINEAR GO MIDI DC 8W 4000K 45° 320 ON/OFF	DL23100206455
XB.LG.216E5303000	LINEAR GO MIDI DC 16W 4000K 45° 600 ON/OFF	DL23100206555
XB.LG.224E5403000	LINEAR GO MIDI DC 24W 4000K 45° 900 ON/OFF	DL23100206655
XB.LG.232E5603000	LINEAR GO MIDI DC 32W 4000K 45° 1200 ON/OFF	DL23100206755
XB.LG.208E6103000	LINEAR GO MIDI DC 8W 4000K 55° 320 ON/OFF	DL23100207055
XB.LG.216E6303000	LINEAR GO MIDI DC 16W 4000K 55° 600 ON/OFF	DL23100207155
XB.LG.224E6403000	LINEAR GO MIDI DC 24W 4000K 55° 900 ON/OFF	DL23100207255
XB.LG.232E6603000	LINEAR GO MIDI DC 32W 4000K 55° 1200 ON/OFF	DL23100207355
XB.LG.208E7103000	LINEAR GO MIDI DC 8W 4000K 30°x15° 320 ON/OFF	DL23100207655
XB.LG.216E7303000	LINEAR GO MIDI DC 16W 4000K 30°x15° 600 ON/OFF	DL23100207755
XB.LG.224E7403000	LINEAR GO MIDI DC 24W 4000K 30°x15° 900 ON/OFF	DL23100207855
XB.LG.232E7603000	LINEAR GO MIDI DC 32W 4000K 30°x15° 1200 ON/OFF	DL23100207955
XB.LG.208E8103000	LINEAR GO MIDI DC 8W 4000K 55°x15° 320 ON/OFF	DL23100208255
XB.LG.216E8303000	LINEAR GO MIDI DC 16W 4000K 55°x15° 600 ON/OFF	DL23100208355
XB.LG.224E8403000	LINEAR GO MIDI DC 24W 4000K 55°x15° 900 ON/OFF	DL23100208455
XB.LG.232E8603000	LINEAR GO MIDI DC 32W 4000K 55°x15° 1200 ON/OFF	DL23100208555
XB.LG.208H1103000	LINEAR GO MIDI DC 8W 5700K 12° 320 ON/OFF	DL23100208855
XB.LG.216H1303000	LINEAR GO MIDI DC 16W 5700K 12° 600 ON/OFF	DL23100208955
XB.LG.224H1403000	LINEAR GO MIDI DC 24W 5700K 12° 900 ON/OFF	DL23100209055
XB.LG.232H1603000	LINEAR GO MIDI DC 32W 5700K 12° 1200 ON/OFF	DL23100209155
XB.LG.208H4103000	LINEAR GO MIDI DC 8W 5700K 30° 320 ON/OFF	DL23100210055
XB.LG.216H4303000	LINEAR GO MIDI DC 16W 5700K 30° 600 ON/OFF	DL23100210155
XB.LG.224H4403000	LINEAR GO MIDI DC 24W 5700K 30° 900 ON/OFF	DL23100210255
XB.LG.232H4603000	LINEAR GO MIDI DC 32W 5700K 30° 1200 ON/OFF	DL23100210355
XB.LG.208H5103000	LINEAR GO MIDI DC 8W 5700K 45° 320 ON/OFF	DL23100210655
XB.LG.216H5303000	LINEAR GO MIDI DC 16W 5700K 45° 600 ON/OFF	DL23100210755
XB.LG.224H5403000	LINEAR GO MIDI DC 24W 5700K 45° 900 ON/OFF	DL23100210855
XB.LG.232H5603000	LINEAR GO MIDI DC 32W 5700K 45° 1200 ON/OFF	DL23100210955

Fixtures

Model No.	Description	Item Code
XB.LG.208H6103000	LINEAR GO MIDI DC 8W 5700K 55° 320 ON/OFF	DL23100211255
XB.LG.216H6303000	LINEAR GO MIDI DC 16W 5700K 55° 600 ON/OFF	DL23100211355
XB.LG.224H6403000	LINEAR GO MIDI DC 24W 5700K 55° 900 ON/OFF	DL23100211455
XB.LG.232H6603000	LINEAR GO MIDI DC 32W 5700K 55° 1200 ON/OFF	DL23100211555
XB.LG.208H7103000	LINEAR GO MIDI DC 8W 5700K 30°x15° 320 ON/OFF	DL23100211855
XB.LG.216H7303000	LINEAR GO MIDI DC 16W 5700K 30°x15° 600 ON/OFF	DL23100211955
XB.LG.224H7403000	LINEAR GO MIDI DC 24W 5700K 30°x15° 900 ON/OFF	DL23100212055
XB.LG.232H7603000	LINEAR GO MIDI DC 32W 5700K 30°x15° 1200 ON/OFF	DL23100212155
XB.LG.208H8103000	LINEAR GO MIDI DC 8W 5700K 55°x15° 320 ON/OFF	DL23100212455
XB.LG.216H8303000	LINEAR GO MIDI DC 16W 5700K 55°x15° 600 ON/OFF	DL23100212555
XB.LG.224H8403000	LINEAR GO MIDI DC 24W 5700K 55°x15° 900 ON/OFF	DL23100212655
XB.LG.232H8603000	LINEAR GO MIDI DC 32W 5700K 55°x15° 1200 ON/OFF	DL23100212755
XB.LG.208I103000	LINEAR GO MIDI DC 8W 6500K 12° 320 ON/OFF	DL23100213055
XB.LG.216I1303000	LINEAR GO MIDI DC 16W 6500K 12° 600 ON/OFF	DL23100213155
XB.LG.224I1403000	LINEAR GO MIDI DC 24W 6500K 12° 900 ON/OFF	DL23100213255
XB.LG.232I1603000	LINEAR GO MIDI DC 32W 6500K 12° 1200 ON/OFF	DL23100213355
XB.LG.208I4103000	LINEAR GO MIDI DC 8W 6500K 30° 320 ON/OFF	DL23100214255
XB.LG.216I4303000	LINEAR GO MIDI DC 16W 6500K 30° 600 ON/OFF	DL23100214355
XB.LG.224I4403000	LINEAR GO MIDI DC 24W 6500K 30° 900 ON/OFF	DL23100214455
XB.LG.232I4603000	LINEAR GO MIDI DC 32W 6500K 30° 1200 ON/OFF	DL23100214555
XB.LG.208I5103000	LINEAR GO MIDI DC 8W 6500K 45° 320 ON/OFF	DL23100214855
XB.LG.216I5303000	LINEAR GO MIDI DC 16W 6500K 45° 600 ON/OFF	DL23100214955
XB.LG.224I5403000	LINEAR GO MIDI DC 24W 6500K 45° 900 ON/OFF	DL23100215055
XB.LG.232I5603000	LINEAR GO MIDI DC 32W 6500K 45° 1200 ON/OFF	DL23100215155
XB.LG.208I6103000	LINEAR GO MIDI DC 8W 6500K 55° 320 ON/OFF	DL23100215455
XB.LG.216I6303000	LINEAR GO MIDI DC 16W 6500K 55° 600 ON/OFF	DL23100215555
XB.LG.224I6403000	LINEAR GO MIDI DC 24W 6500K 55° 900 ON/OFF	DL23100215655
XB.LG.232I6603000	LINEAR GO MIDI DC 32W 6500K 55° 1200 ON/OFF	DL23100215755
XB.LG.208I7103000	LINEAR GO MIDI DC 8W 6500K 30°x15° 320 ON/OFF	DL23100216055
XB.LG.216I7303000	LINEAR GO MIDI DC 16W 6500K 30°x15° 600 ON/OFF	DL23100216155
XB.LG.224I7403000	LINEAR GO MIDI DC 24W 6500K 30°x15° 900 ON/OFF	DL23100216255
XB.LG.232I7603000	LINEAR GO MIDI DC 32W 6500K 30°x15° 1200 ON/OFF	DL23100216355
XB.LG.208I8103000	LINEAR GO MIDI DC 8W 6500K 55°x15° 320 ON/OFF	DL23100216655
XB.LG.216I8303000	LINEAR GO MIDI DC 16W 6500K 55°x15° 600 ON/OFF	DL23100216755
XB.LG.224I8403000	LINEAR GO MIDI DC 24W 6500K 55°x15° 900 ON/OFF	DL23100216855
XB.LG.232I8603000	LINEAR GO MIDI DC 32W 6500K 55°x15° 1200 ON/OFF	DL23100216955
XB.LG.208B1103100	LINEAR GO MIDI DC 8W 2700K 12° 320 ON/OFF GS	DL23100244855
XB.LG.216B1303100	LINEAR GO MIDI DC 16W 2700K 12° 600 ON/OFF GS	DL23100244955
XB.LG.224B1403100	LINEAR GO MIDI DC 24W 2700K 12° 900 ON/OFF GS	DL23100245055
XB.LG.232B1603100	LINEAR GO MIDI DC 32W 2700K 12° 1200 ON/OFF GS	DL23100245155
XB.LG.208B4103100	LINEAR GO MIDI DC 8W 2700K 30° 320 ON/OFF GS	DL23100246055
XB.LG.216B4303100	LINEAR GO MIDI DC 16W 2700K 30° 600 ON/OFF GS	DL23100246155
XB.LG.224B4403100	LINEAR GO MIDI DC 24W 2700K 30° 900 ON/OFF GS	DL23100246255
XB.LG.232B4603100	LINEAR GO MIDI DC 32W 2700K 30° 1200 ON/OFF GS	DL23100246355
XB.LG.208B5103100	LINEAR GO MIDI DC 8W 2700K 45° 320 ON/OFF GS	DL23100246655
XB.LG.216B5303100	LINEAR GO MIDI DC 16W 2700K 45° 600 ON/OFF GS	DL23100246755
XB.LG.224B5403100	LINEAR GO MIDI DC 24W 2700K 45° 900 ON/OFF GS	DL23100246855
XB.LG.232B5603100	LINEAR GO MIDI DC 32W 2700K 45° 1200 ON/OFF GS	DL23100246955

Fixtures

Model No.	Description	Item Code
XB.LG.208B6103100	LINEAR GO MIDI DC 8W 2700K 55° 320 ON/OFF GS	DL23100247255
XB.LG.216B6303100	LINEAR GO MIDI DC 16W 2700K 55° 600 ON/OFF GS	DL23100247355
XB.LG.224B6403100	LINEAR GO MIDI DC 24W 2700K 55° 900 ON/OFF GS	DL23100247455
XB.LG.232B6603100	LINEAR GO MIDI DC 32W 2700K 55° 1200 ON/OFF GS	DL23100247555
XB.LG.208B7103100	LINEAR GO MIDI DC 8W 2700K 30°x15° 320 ON/OFF GS	DL23100247855
XB.LG.216B7303100	LINEAR GO MIDI DC 16W 2700K 30°x15° 600 ON/OFF GS	DL23100247955
XB.LG.224B7403100	LINEAR GO MIDI DC 24W 2700K 30°x15° 900 ON/OFF GS	DL23100248055
XB.LG.232B7603100	LINEAR GO MIDI DC 32W 2700K 30°x15° 1200 ON/OFF GS	DL23100248155
XB.LG.208B8103100	LINEAR GO MIDI DC 8W 2700K 55°x15° 320 ON/OFF GS	DL23100248455
XB.LG.216B8303100	LINEAR GO MIDI DC 16W 2700K 55°x15° 600 ON/OFF GS	DL23100248555
XB.LG.224B8403100	LINEAR GO MIDI DC 24W 2700K 55°x15° 900 ON/OFF GS	DL23100248655
XB.LG.232B8603100	LINEAR GO MIDI DC 32W 2700K 55°x15° 1200 ON/OFF GS	DL23100248755
XB.LG.208C1103100	LINEAR GO MIDI DC 8W 3000K 12° 320 ON/OFF GS	DL23100249055
XB.LG.216C1303100	LINEAR GO MIDI DC 16W 3000K 12° 600 ON/OFF GS	DL23100249155
XB.LG.224C1403100	LINEAR GO MIDI DC 24W 3000K 12° 900 ON/OFF GS	DL23100249255
XB.LG.232C1603100	LINEAR GO MIDI DC 32W 3000K 12° 1200 ON/OFF GS	DL23100249355
XB.LG.208C4103100	LINEAR GO MIDI DC 8W 3000K 30° 320 ON/OFF GS	DL23100250255
XB.LG.216C4303100	LINEAR GO MIDI DC 16W 3000K 30° 600 ON/OFF GS	DL23100250355
XB.LG.224C4403100	LINEAR GO MIDI DC 24W 3000K 30° 900 ON/OFF GS	DL23100250455
XB.LG.232C4603100	LINEAR GO MIDI DC 32W 3000K 30° 1200 ON/OFF GS	DL23100250555
XB.LG.208C5103100	LINEAR GO MIDI DC 8W 3000K 45° 320 ON/OFF GS	DL23100250855
XB.LG.216C5303100	LINEAR GO MIDI DC 16W 3000K 45° 600 ON/OFF GS	DL23100250955
XB.LG.224C5403100	LINEAR GO MIDI DC 24W 3000K 45° 900 ON/OFF GS	DL23100251055
XB.LG.232C5603100	LINEAR GO MIDI DC 32W 3000K 45° 1200 ON/OFF GS	DL23100251155
XB.LG.208C6103100	LINEAR GO MIDI DC 8W 3000K 55° 320 ON/OFF GS	DL23100251455
XB.LG.216C6303100	LINEAR GO MIDI DC 16W 3000K 55° 600 ON/OFF GS	DL23100251555
XB.LG.224C6403100	LINEAR GO MIDI DC 24W 3000K 55° 900 ON/OFF GS	DL23100251655
XB.LG.232C6603100	LINEAR GO MIDI DC 32W 3000K 55° 1200 ON/OFF GS	DL23100251755
XB.LG.208C7103100	LINEAR GO MIDI DC 8W 3000K 30°x15° 320 ON/OFF GS	DL23100252055
XB.LG.216C7303100	LINEAR GO MIDI DC 16W 3000K 30°x15° 600 ON/OFF GS	DL23100252155
XB.LG.224C7403100	LINEAR GO MIDI DC 24W 3000K 30°x15° 900 ON/OFF GS	DL23100252255
XB.LG.232C7603100	LINEAR GO MIDI DC 32W 3000K 30°x15° 1200 ON/OFF GS	DL23100252355
XB.LG.208C8103100	LINEAR GO MIDI DC 8W 3000K 55°x15° 320 ON/OFF GS	DL23100252655
XB.LG.216C8303100	LINEAR GO MIDI DC 16W 3000K 55°x15° 600 ON/OFF GS	DL23100252755
XB.LG.224C8403100	LINEAR GO MIDI DC 24W 3000K 55°x15° 900 ON/OFF GS	DL23100252855
XB.LG.232C8603100	LINEAR GO MIDI DC 32W 3000K 55°x15° 1200 ON/OFF GS	DL23100252955
XB.LG.208E1103100	LINEAR GO MIDI DC 8W 4000K 12° 320 ON/OFF GS	DL23100253255
XB.LG.216E1303100	LINEAR GO MIDI DC 16W 4000K 12° 600 ON/OFF GS	DL23100253355
XB.LG.224E1403100	LINEAR GO MIDI DC 24W 4000K 12° 900 ON/OFF GS	DL23100253455
XB.LG.232E1603100	LINEAR GO MIDI DC 32W 4000K 12° 1200 ON/OFF GS	DL23100253555
XB.LG.208E4103100	LINEAR GO MIDI DC 8W 4000K 30° 320 ON/OFF GS	DL23100254455
XB.LG.216E4303100	LINEAR GO MIDI DC 16W 4000K 30° 600 ON/OFF GS	DL23100254555
XB.LG.224E4403100	LINEAR GO MIDI DC 24W 4000K 30° 900 ON/OFF GS	DL23100254655
XB.LG.232E4603100	LINEAR GO MIDI DC 32W 4000K 30° 1200 ON/OFF GS	DL23100254755
XB.LG.208E5103100	LINEAR GO MIDI DC 8W 4000K 45° 320 ON/OFF GS	DL23100255055
XB.LG.216E5303100	LINEAR GO MIDI DC 16W 4000K 45° 600 ON/OFF GS	DL23100255155
XB.LG.224E5403100	LINEAR GO MIDI DC 24W 4000K 45° 900 ON/OFF GS	DL23100255255
XB.LG.232E5603100	LINEAR GO MIDI DC 32W 4000K 45° 1200 ON/OFF GS	DL23100255355

Fixtures

Model No.	Description	Item Code
XB.LG.208E6103100	LINEAR GO MIDI DC 8W 4000K 55° 320 ON/OFF GS	DL23100255655
XB.LG.216E6303100	LINEAR GO MIDI DC 16W 4000K 55° 600 ON/OFF GS	DL23100255755
XB.LG.224E6403100	LINEAR GO MIDI DC 24W 4000K 55° 900 ON/OFF GS	DL23100255855
XB.LG.232E6603100	LINEAR GO MIDI DC 32W 4000K 55° 1200 ON/OFF GS	DL23100255955
XB.LG.208E7103100	LINEAR GO MIDI DC 8W 4000K 30°x15° 320 ON/OFF GS	DL23100256255
XB.LG.216E7303100	LINEAR GO MIDI DC 16W 4000K 30°x15° 600 ON/OFF GS	DL23100256355
XB.LG.224E7403100	LINEAR GO MIDI DC 24W 4000K 30°x15° 900 ON/OFF GS	DL23100256455
XB.LG.232E7603100	LINEAR GO MIDI DC 32W 4000K 30°x15° 1200 ON/OFF GS	DL23100256555
XB.LG.208E8103100	LINEAR GO MIDI DC 8W 4000K 55°x15° 320 ON/OFF GS	DL23100256855
XB.LG.216E8303100	LINEAR GO MIDI DC 16W 4000K 55°x15° 600 ON/OFF GS	DL23100256955
XB.LG.224E8403100	LINEAR GO MIDI DC 24W 4000K 55°x15° 900 ON/OFF GS	DL23100257055
XB.LG.232E8603100	LINEAR GO MIDI DC 32W 4000K 55°x15° 1200 ON/OFF GS	DL23100257155
XB.LG.208H1103100	LINEAR GO MIDI DC 8W 5700K 12° 320 ON/OFF GS	DL23100257455
XB.LG.216H1303100	LINEAR GO MIDI DC 16W 5700K 12° 600 ON/OFF GS	DL23100257555
XB.LG.224H1403100	LINEAR GO MIDI DC 24W 5700K 12° 900 ON/OFF GS	DL23100257655
XB.LG.232H1603100	LINEAR GO MIDI DC 32W 5700K 12° 1200 ON/OFF GS	DL23100257755
XB.LG.208H4103100	LINEAR GO MIDI DC 8W 5700K 30° 320 ON/OFF GS	DL23100258655
XB.LG.216H4303100	LINEAR GO MIDI DC 16W 5700K 30° 600 ON/OFF GS	DL23100258755
XB.LG.224H4403100	LINEAR GO MIDI DC 24W 5700K 30° 900 ON/OFF GS	DL23100258855
XB.LG.232H4603100	LINEAR GO MIDI DC 32W 5700K 30° 1200 ON/OFF GS	DL23100258955
XB.LG.208H5103100	LINEAR GO MIDI DC 8W 5700K 45° 320 ON/OFF GS	DL23100259255
XB.LG.216H5303100	LINEAR GO MIDI DC 16W 5700K 45° 600 ON/OFF GS	DL23100259355
XB.LG.224H5403100	LINEAR GO MIDI DC 24W 5700K 45° 900 ON/OFF GS	DL23100259455
XB.LG.232H5603100	LINEAR GO MIDI DC 32W 5700K 45° 1200 ON/OFF GS	DL23100259555
XB.LG.208H6103100	LINEAR GO MIDI DC 8W 5700K 55° 320 ON/OFF GS	DL23100259855
XB.LG.216H6303100	LINEAR GO MIDI DC 16W 5700K 55° 600 ON/OFF GS	DL23100259955
XB.LG.224H6403100	LINEAR GO MIDI DC 24W 5700K 55° 900 ON/OFF GS	DL23100260055
XB.LG.232H6603100	LINEAR GO MIDI DC 32W 5700K 55° 1200 ON/OFF GS	DL23100260155
XB.LG.208H7103100	LINEAR GO MIDI DC 8W 5700K 30°x15° 320 ON/OFF GS	DL23100260455
XB.LG.216H7303100	LINEAR GO MIDI DC 16W 5700K 30°x15° 600 ON/OFF GS	DL23100260555
XB.LG.224H7403100	LINEAR GO MIDI DC 24W 5700K 30°x15° 900 ON/OFF GS	DL23100260655
XB.LG.232H7603100	LINEAR GO MIDI DC 32W 5700K 30°x15° 1200 ON/OFF GS	DL23100260755
XB.LG.208H8103100	LINEAR GO MIDI DC 8W 5700K 55°x15° 320 ON/OFF GS	DL23100261055
XB.LG.216H8303100	LINEAR GO MIDI DC 16W 5700K 55°x15° 600 ON/OFF GS	DL23100261155
XB.LG.224H8403100	LINEAR GO MIDI DC 24W 5700K 55°x15° 900 ON/OFF GS	DL23100261255
XB.LG.232H8603100	LINEAR GO MIDI DC 32W 5700K 55°x15° 1200 ON/OFF GS	DL23100261355
XB.LG.208I1103100	LINEAR GO MIDI DC 8W 6500K 12° 320 ON/OFF GS	DL23100261655
XB.LG.216I1303100	LINEAR GO MIDI DC 16W 6500K 12° 600 ON/OFF GS	DL23100261755
XB.LG.224I1403100	LINEAR GO MIDI DC 24W 6500K 12° 900 ON/OFF GS	DL23100261855
XB.LG.232I1603100	LINEAR GO MIDI DC 32W 6500K 12° 1200 ON/OFF GS	DL23100261955
XB.LG.208I4103100	LINEAR GO MIDI DC 8W 6500K 30° 320 ON/OFF GS	DL23100262855
XB.LG.216I4303100	LINEAR GO MIDI DC 16W 6500K 30° 600 ON/OFF GS	DL23100262955
XB.LG.224I4403100	LINEAR GO MIDI DC 24W 6500K 30° 900 ON/OFF GS	DL23100263055
XB.LG.232I4603100	LINEAR GO MIDI DC 32W 6500K 30° 1200 ON/OFF GS	DL23100263155
XB.LG.208I5103100	LINEAR GO MIDI DC 8W 6500K 45° 320 ON/OFF GS	DL23100263455
XB.LG.216I5303100	LINEAR GO MIDI DC 16W 6500K 45° 600 ON/OFF GS	DL23100263555
XB.LG.224I5403100	LINEAR GO MIDI DC 24W 6500K 45° 900 ON/OFF GS	DL23100263655
XB.LG.232I5603100	LINEAR GO MIDI DC 32W 6500K 45° 1200 ON/OFF GS	DL23100263755

Fixtures

Model No.	Description	Item Code
XB.LG.20816103100	LINEAR GO MIDI DC 8W 6500K 55° 320 ON/OFF GS	DL23100264055
XB.LG.21616303100	LINEAR GO MIDI DC 16W 6500K 55° 600 ON/OFF GS	DL23100264155
XB.LG.22416403100	LINEAR GO MIDI DC 24W 6500K 55° 900 ON/OFF GS	DL23100264255
XB.LG.23216603100	LINEAR GO MIDI DC 32W 6500K 55° 1200 ON/OFF GS	DL23100264355
XB.LG.20817103100	LINEAR GO MIDI DC 8W 6500K 30°x15° 320 ON/OFF GS	DL23100264655
XB.LG.21617303100	LINEAR GO MIDI DC 16W 6500K 30°x15° 600 ON/OFF GS	DL23100264755
XB.LG.22417403100	LINEAR GO MIDI DC 24W 6500K 30°x15° 900 ON/OFF GS	DL23100264855
XB.LG.23217603100	LINEAR GO MIDI DC 32W 6500K 30°x15° 1200 ON/OFF GS	DL23100264955
XB.LG.20818103100	LINEAR GO MIDI DC 8W 6500K 55°x15° 320 ON/OFF GS	DL23100265255
XB.LG.21618303100	LINEAR GO MIDI DC 16W 6500K 55°x15° 600 ON/OFF GS	DL23100265355
XB.LG.22418403100	LINEAR GO MIDI DC 24W 6500K 55°x15° 900 ON/OFF GS	DL23100265455
XB.LG.23218603100	LINEAR GO MIDI DC 32W 6500K 55°x15° 1200 ON/OFF GS	DL23100265555

TX Connect

Model No.	Description	Item Code
N / A	STARTER CABLE JYK DC 2-PIN 0.5M	DA23100096855
N / A	STARTER CABLE JYK DC 2-PIN 2M	DA23100096955
N / A	INTERCONNECTION CABLE JYK DC 2-PIN 0.5M	DA23100097055
N / A	INTERCONNECTION CABLE JYK DC 2-PIN 2M	DA23100097155
N / A	END CAP JYK DC 2-PIN	DA23100097255

TX Control

Model No.	Description	Item Code
N / A	LED ENGINE 24V 100W OUTDOOR	AM175860055
N / A	LED ENGINE 24V 185W OUTDOOR	AM175880055
N / A	LED ENGINE 24V 320W OUTDOOR	AM089350055

