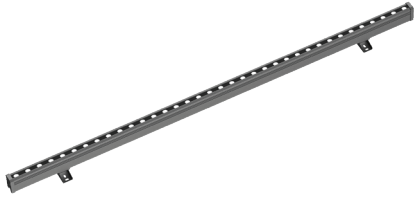




TRAXON Go[→]

Linear Go Mini White



Project: _____

Type: _____



IP66



COAST



DMX 512



ANSI 3G



IK06

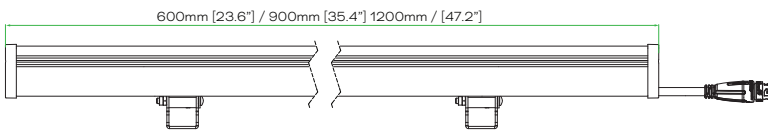
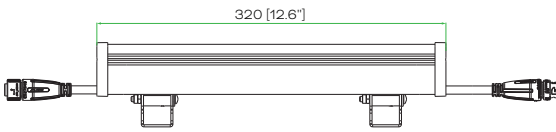
Technologies

- Manual-Addressing with TX Addresser

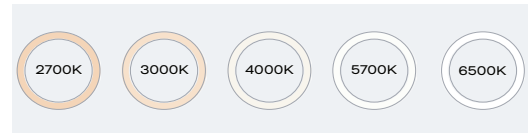
Features

- DMX control
- Easy installation and maintenance

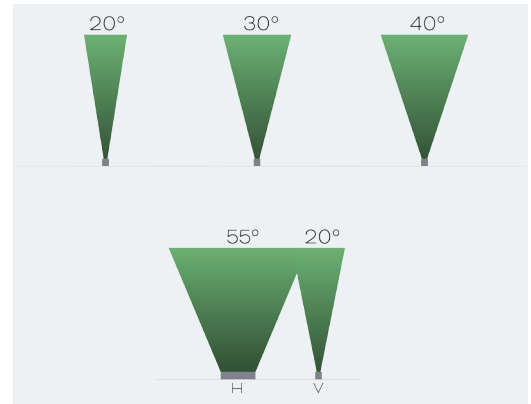
Dimensions



Color Options



Beam Angle



Finish



Traxon Signature Gray: RAL7005

Product Specifications

	Linear Go Mini White			
Model	320mm / 12.6"	600mm / 23.6"	900mm / 35.4"	1200mm / 47.2"
Light Source	White LED			
Color Range	White 2700K, 3000K, 4000K, 5700K, 6500K			
LED Quantity	9pcs	18pcs	27pcs	36pcs
Luminous Flux (4.5W per 300mm / 1ft) (3.4W per 300mm / 1ft)	White 4000K: 383 lm (30°) White 4000K: 289 lm (30°)	White 4000K: 765 lm (30°) White 4000K: 578 lm (30°)	White 4000K: 1148 lm (30°) White 4000K: 867 lm (30°)	White 4000K: 1530 lm (30°) White 4000K: 1156 lm (30°)
Efficacy	White 4000K: 85 lm/W (full on 30°)			
Beam Angles	20°, 30°, 40°, 55° x 20°			
Pixel Configuration	1 Pixel per fixture			
Lens	Glass			
Housing	Aluminum			
Housing Finish Options	Traxon Signature Gray (RAL7005)			
Adjustment Options	-30° to +90°			
Mounting	Mounting Bracket			
Dimensions (L x W x H, Mounting Bracket included)	320mm x 30mm x 77.1mm 12.6" x 1.2" x 3.0"	600mm x 30mm x 77.1mm 23.6" x 1.2" x 3.0"	900mm x 30mm x 77.1mm 35.4" x 1.2" x 3.0"	1200mm x 30mm x 77.1mm 47.2" x 1.2" x 3.0"
Weight	0.69kg / 1.52lbs	0.99kg / 2.18lbs	1.30kg / 2.87lbs	1.65kg / 3.64lbs
Regulatory Listing & Safety Approval	CE, UKCA, cETLus, FCC, ANSI C136.31-3G			
Operating Temperature	-30°C to +50°C (-22°F to +122°F)			
Minimum Starting Temperature	-20°C (-4°F)			
Storage Temperature	-40°C to +80°C (-40°F to +176°F)			
Environment	Outdoor, IP66, IK06, Coastal Environment (ASTM B117-16)			
Humidity	85%, non-condensing			

Electrical Specifications

Input Voltage	24V DC			
	4.5W per 300mm / 1ft			
Power Consumption	4.5W	9W	13.5W	18W
	3.4W per 300mm / 1ft (3.4W per foot model meets ASHRAE 90.1-2022 Zone 3 requirements)			
	3.4W			13.6W
Lumen Maintenance	L70 50000hrs @ 25°C			

System Specifications

Power Supply	CE market: LED Engine 24V ETL market: LED Engine 24V (Class 2)
Control	DMX 512
Addressing Options	Manual-Addressing with TX Addresser
Chipset	UCS 512G4

LED CHARACTERISTICS Because LEDs are semiconductor devices, their performances are subject to inherent variability commonly found in semiconductor industry. To improve consistency in performance across the same product, LED manufacturers "sort" LEDs into bins according to different preset parameters, such as forward driving voltage, illumination, etc. Whereas binning is a sorting function, it is not a correction process. Inherent variability in the manufacturing process results always in different binning distributions according to different production lots. Traxon uses automatically binned LEDs on its products, thereby minimizing output variations within the model range.

As with all electronic devices, LED output degrades over time – a term called lumen depreciation. This also explains why it is nearly impossible to expect photometric performances of two LED products with different service life spans to be the same. The rate of LED degrade is a complicate function of many factors such as operating efficiency, duration of continuous operation, and more significantly, environmental conditions (ambient temperature for example). If allowed working under optimal operating temperature range and with good ventilation, LED devices enjoy long service lives over conventional light sources. When using/installing LED devices, care should be taken to ensure that the devices will operate within the operating conditions specified in respective product literature.

Lumen measurement complies with LM-79-08 standard.

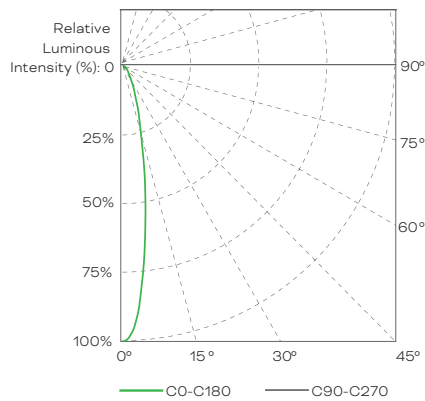
Lumen maintenance is calculated based on LM-80 compliant measurement.

Source Specifications

Source	White LED
Optics	20°

Candela Distribution

Light Output (4.5W per 300mm / 1ft)



	Color	Luminous Flux (lm)	Center Intensity (cd)	Efficacy (lm/W)
320mm / 12.6"	3000K	360	1799	80
	4000K	383	1911	85
600mm / 23.6"	3000K	720	3597	80
	4000K	765	3822	85
900mm / 35.4"	3000K	1080	5396	80
	4000K	1148	5733	85
1200mm / 47.2"	3000K	1440	7195	80
	4000K	1530	7644	85

Illuminance at a Distance (4.5W per 300mm / 1ft)

	Center Beam LUX/klm	Beam Width	
0.5m	19781	0.16m / 0.5'	1.6'
1m	4945	0.32m / 1'	3.3'
1.5m	2198	0.48m / 1.6'	4.9'
2.0m	1236	0.63m / 2.1'	6.6'
2.5m	791	0.79m / 2.6'	8.2'
3m	549	0.95m / 3.1'	9.8'

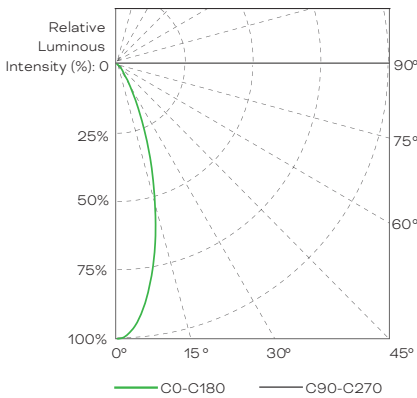
For fc divide by 10.7 ■ Horiz.Spread: 18.0°
 IES and LDT files are available for download from the Traxon website.

Color	Distance	320mm / 12.6"		600mm / 23.6"		900mm / 35.4"		1200mm / 47.2"	
		Illuminance		Illuminance		Illuminance		Illuminance	
		LUX	FC	LUX	FC	LUX	FC	LUX	FC
3000K	0.5m / 1.6'	7121.2	665.5	14242.3	1331.1	21363.5	1996.6	28484.6	2662.1
	1m / 3.3'	1780.2	166.4	3560.4	332.7	5340.6	499.1	7120.8	665.5
	1.5m / 4.9'	791.3	74	1582.6	147.9	2373.8	221.9	3165.1	295.8
	2m / 6.6'	445	41.6	889.9	83.2	1334.9	124.8	1779.8	166.3
	2.5m / 8.2'	284.8	26.6	569.5	53.2	854.3	79.8	1139	106.4
	3m / 9.8'	197.6	18.5	395.3	36.9	592.9	55.4	790.6	73.9
4000K	0.5m / 1.6'	7576.1	708	15132.5	1414.3	22708.6	2122.3	30264.9	2828.5
	1m / 3.3'	1893.9	177	3782.9	353.5	5676.9	530.6	7565.9	707.1
	1.5m / 4.9'	841.8	78.7	1681.5	157.1	2523.3	235.8	3362.9	314.3
	2m / 6.6'	473.4	44.2	945.5	88.4	1418.9	132.6	1891.1	176.7
	2.5m / 8.2'	303	28.3	605.1	56.6	908.1	84.9	1210.2	113.1
	3m / 9.8'	210.3	19.7	420	39.3	630.3	58.9	840	78.5

Source Specifications

Source	White LED
Optics	30°

Candela Distribution



Light Output (4.5W per 300mm / 1ft)

	Color	Luminous Flux (lm)	Center Intensity (cd)	Efficacy (lm/W)
320mm / 12.6"	3000K	360	948	80
	4000K	383	1007	85
600mm / 23.6"	3000K	720	1895	80
	4000K	765	2013	85
900mm / 35.4"	3000K	1080	2843	80
	4000K	1148	3020	85
1200mm / 47.2"	3000K	1440	3790	80
	4000K	1530	4027	85

Illuminance at a Distance (4.5W per 300mm / 1ft)

	Center Beam LUX/klm	Beam Width	
0.5m	10386	0.28m / 0.9'	1.6'
1m	2596	0.57m / 1.9'	3.3'
1.5m	1154	0.85m / 2.8'	4.9'
2.0m	649	1.14m / 3.7'	6.6'
2.5m	415	1.42m / 4.7'	8.2'
3m	288	1.71m / 5.6'	9.8'

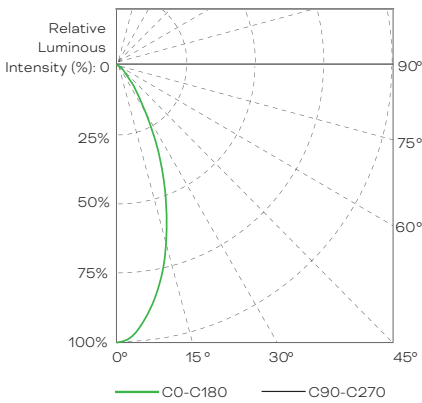
For fc divide by 10.7 ■ Horiz.Spread: 31.8°
 IES and LDT files are available for download from the Traxon website.

Color	Distance	320mm / 12.6"		600mm / 23.6"		900mm / 35.4"		1200mm / 47.2"	
		Illuminance		Illuminance		Illuminance		Illuminance	
		LUX	FC	LUX	FC	LUX	FC	LUX	FC
3000K	0.5m / 1.6'	3739	349.4	7477.9	698.9	11216.9	1048.3	14955.8	1397.7
	1m / 3.3'	934.6	87.3	1869.1	174.7	2803.7	262	3738.2	349.4
	1.5m / 4.9'	415.4	38.8	830.9	77.7	1246.3	116.5	1661.8	155.3
	2m / 6.6'	233.6	21.8	467.3	43.7	700.9	65.5	934.6	87.3
	2.5m / 8.2'	149.4	14	298.8	27.9	448.2	41.9	597.6	55.9
	3m / 9.8'	103.7	9.7	207.4	19.4	311	29.1	414.7	38.8
4000K	0.5m / 1.6'	3977.8	371.8	7945.3	742.6	11923.1	1114.3	15890.6	1485.1
	1m / 3.3'	994.3	92.9	1985.9	185.6	2980.2	278.5	3971.9	371.2
	1.5m / 4.9'	442	41.3	882.8	82.5	1324.8	123.8	1765.6	165
	2m / 6.6'	248.6	23.2	496.5	46.4	745.1	69.6	993	92.8
	2.5m / 8.2'	158.9	14.9	317.4	29.7	476.4	44.5	635	59.3
	3m / 9.8'	110.3	10.3	220.3	20.6	330.6	30.9	440.6	41.2

Source Specifications

Source	White LED
Optics	40°

Candela Distribution



Light Output (4.5W per 300mm / 1ft)

	Color	Luminous Flux (lm)	Center Intensity (cd)	Efficacy (lm/W)
320mm / 12.6"	3000K	360	623	80
	4000K	383	661	85
600mm / 23.6"	3000K	720	1245	80
	4000K	765	1323	85
900mm / 35.4"	3000K	1080	1868	80
	4000K	1148	1984	85
1200mm / 47.2"	3000K	1440	2490	80
	4000K	1530	2646	85

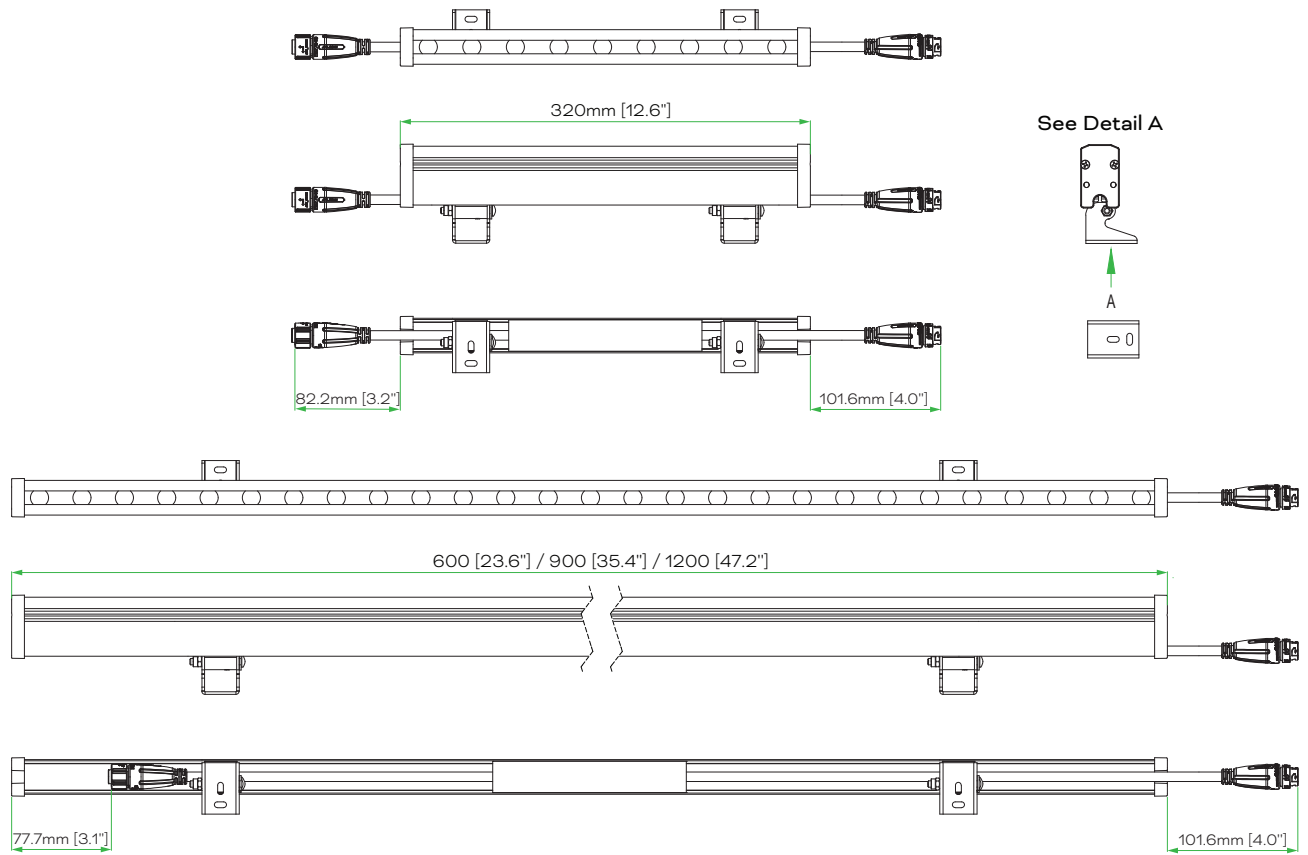
Illuminance at a Distance (4.5W per 300mm / 1ft)

	Center Beam LUX/klm	Beam Width	
0.5m	6762	0.38m / 1.2'	1.6'
1m	1691	0.75m / 2.5'	3.3'
1.5m	751	1.13m / 3.7'	4.9'
2.0m	423	1.5m / 4.9'	6.6'
2.5m	270	1.88m / 6.2'	8.2'
3m	188	2.26m / 7.4'	9.8'

For fc divide by 10.7 Horiz.Spread: 41.2°
 IES and LDT files are available for download from the Traxon website.

Color	Distance	320mm / 12.6"		600mm / 23.6"		900mm / 35.4"		1200mm / 47.2"	
		Illuminance		Illuminance		Illuminance		Illuminance	
		LUX	FC	LUX	FC	LUX	FC	LUX	FC
3000K	0.5m / 1.6'	2434.3	227.5	4868.6	455	7303	682.5	9737.3	910
	1m / 3.3'	608.8	56.9	1217.5	113.8	1826.3	170.7	2435	227.6
	1.5m / 4.9'	270.4	25.3	540.7	50.5	811.1	75.8	1081.4	101.1
	2m / 6.6'	152.3	14.2	304.6	28.5	456.8	42.7	609.1	56.9
	2.5m / 8.2'	97.2	9.1	194.4	18.2	291.6	27.3	388.8	36.3
	3m / 9.8'	67.7	6.3	135.4	12.7	203	19	270.7	25.3
4000K	0.5m / 1.6'	2589.8	242	5172.9	483.4	7762.8	725.5	10345.9	966.9
	1m / 3.3'	647.7	60.5	1293.6	120.9	1941.3	181.4	2587.2	241.8
	1.5m / 4.9'	287.6	26.9	574.5	53.7	862.1	80.6	1149	107.4
	2m / 6.6'	162	15.1	323.6	30.2	485.6	45.4	647.2	60.5
	2.5m / 8.2'	103.4	9.7	206.6	19.3	310	29	413.1	38.6
	3m / 9.8'	72	6.7	143.8	13.4	215.8	20.2	287.6	26.9

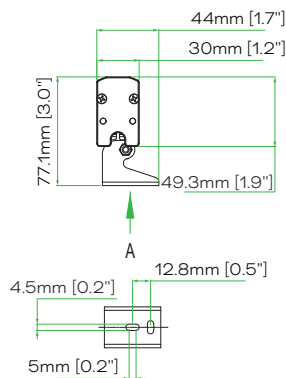
Fixture Dimensions



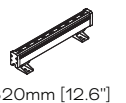
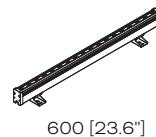
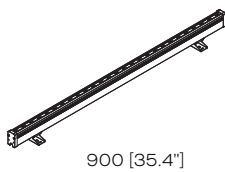
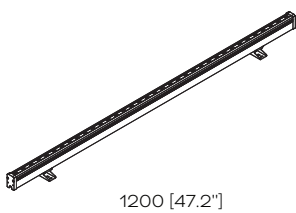
See Detail A



Detail A



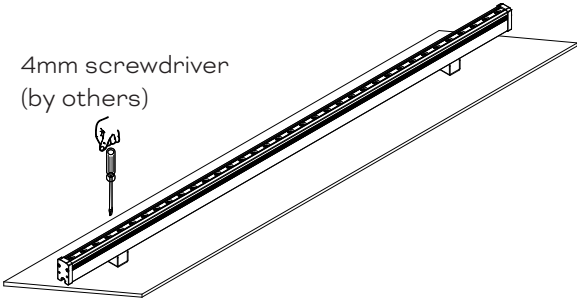
Indicator diagram of installation hole in A surface



Bracket Mounting

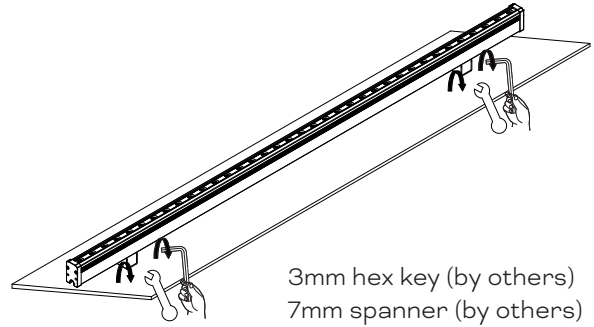
1 Fix the brackets and fixture fixing surface

4mm screwdriver
(by others)

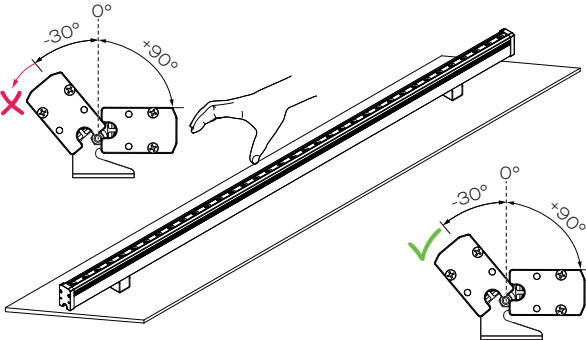


2 Loosen the bolts

3mm hex key (by others)
7mm spanner (by others)

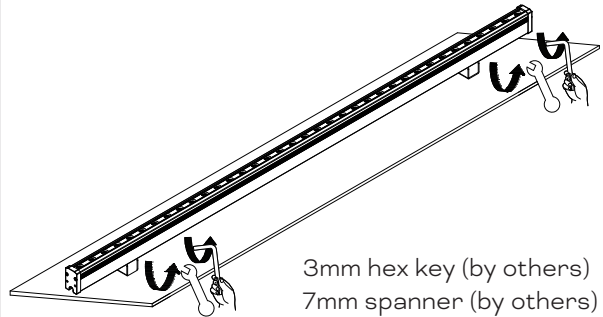


3 Adjust the fixture to desired angle

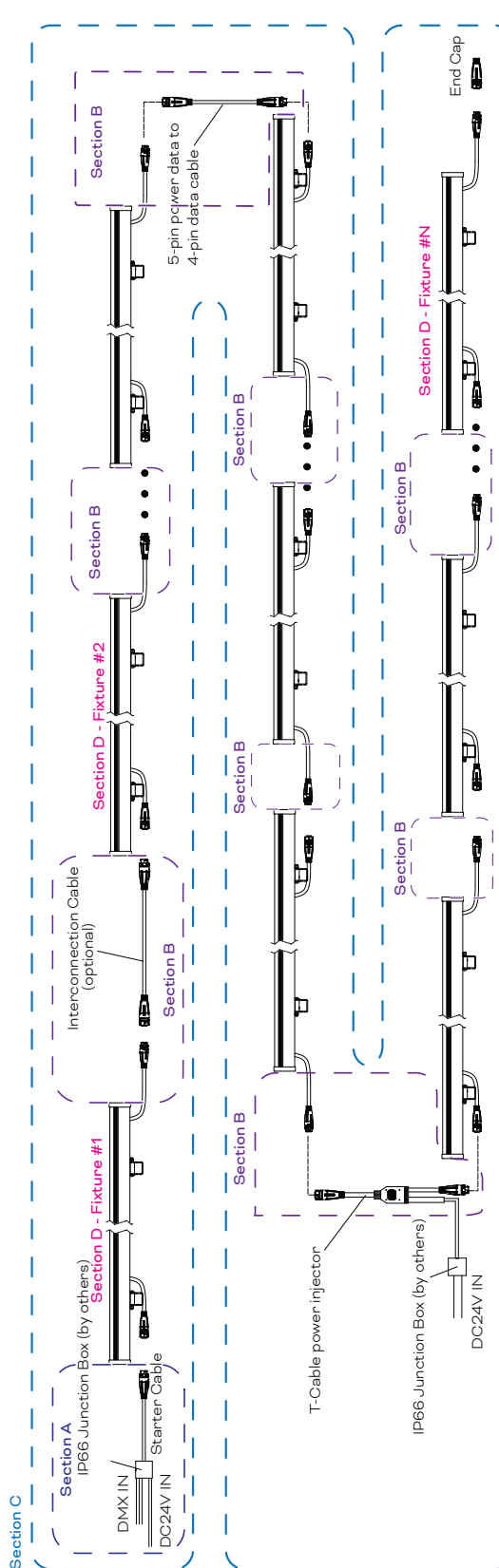


4 Fix the fixture with its desired angle

3mm hex key (by others)
7mm spanner (by others)



T-cable Wiring



Data cabling from DMX source to Starter cable shall be Cat5e UTP or other cable type suitable for DMX communication.

Section	For controlling the fixtures	For addressing the fixtures
Section A. Maximum distance from Control/Addressing source to the first fixture	80m / 262'	80m / 262'
Section B. Maximum distance between fixture to fixture	30m / 98'	12m / 39'
Section C. Maximum distance from Control source to last fixture on a single DMX512 link	200m / 656'	200m / 656'
Section D. Maximum number of fixture on a single DMX512 link	40pcs	40pcs

- Maximum number of fixture per input power line cannot exceed total wattage of 168W (CE), and 100W (US Class 2 PSU);
 Linear Go mini 320mm / 12.6"; 4.5W or 3.4W
 Linear Go mini 600mm / 23.6"; 9W or 6.8W
 Linear Go mini 900mm / 35.4"; 13.5W or 10.2W
 Linear Go mini 1200mm / 47.2"; 18W or 13.6W

Note: 3.4W or 4.5W per 300mm / 1ft.
 3.4W per foot model meets ASHRAE 90.1-2022 Zone 3 requirements.

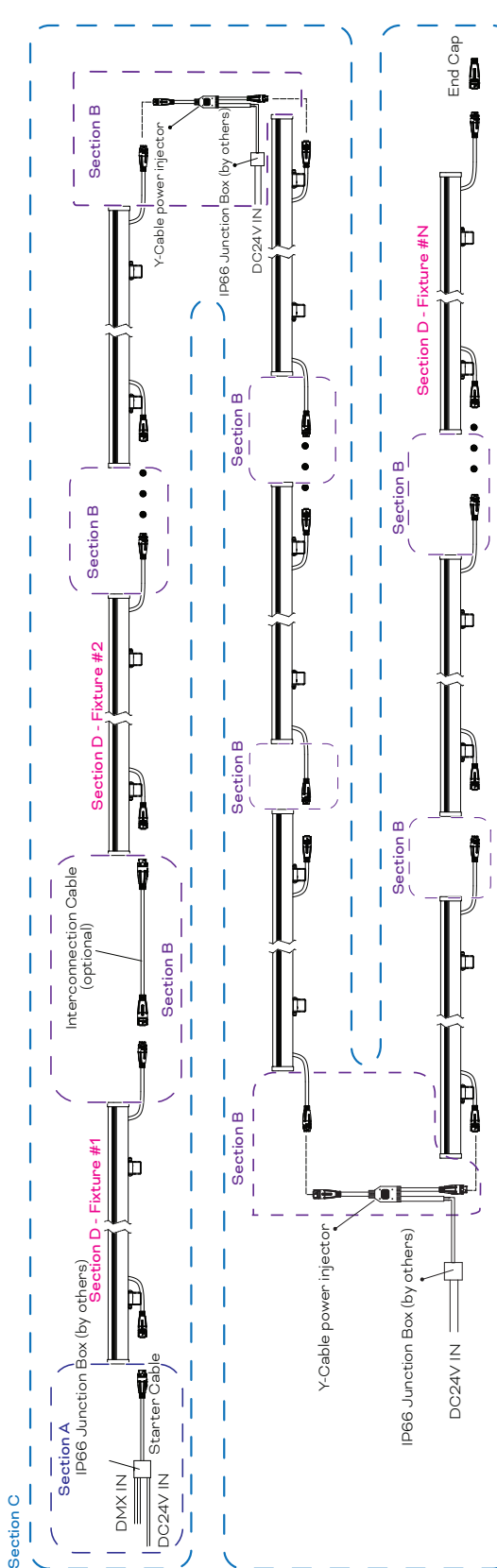
Example:

Fixture daisy chain		
Voltage	Fixture Total Power Consumption *	Max Number of fixtures
24V DC (CE)	162W	e.g. 9 pcs 1200mm (18W) per PSU input chain
24V DC (ETL) with Class 2 PSU	85.5W	e.g. 4 pcs 1200mm (18W) + 3 pcs 320mm (4.5W) per PSU input chain

Maximum number of fixtures is based on minimal interconnection lengths fixture to fixture.
 Actual number of fixtures is dependent on cable interconnection lengths. The number of fixtures will reduce if longer cable lengths are used. Please consult regional sales office to confirm maximums.

* Consider some Power Supply Unit (PSU) wattage buffer for total power consumption

Y-cable Wiring



Data cabling from DMX source to Starter cable shall be Cat5e UTP or other cable type suitable for DMX communication.

Function	Size	Color	Connection
DC24V-	1.0mm ²	White	DC24V- & GND
DC24V+	1.0mm ²	Black	DC24V+
DMX+	0.5mm ²	Brown	DMX+
DMX-	0.5mm ²	Blue	DMX-
Address	0.5mm ²	Green	Do not connect

	For controlling the fixtures	For addressing the fixtures
Section A. Maximum distance from Control/Addressing source to the first fixture	80m / 262'	80m / 262'
Section B. Maximum distance between fixture to fixture	30m / 98'	12m / 39'
Section C. Maximum distance from Control source to last fixture on a single DMX512 link	200m / 656'	200m / 656'
Section D. Maximum number of fixture on a single DMX512 link	40pcs	40pcs

Maximum number of fixture per input power line cannot exceed total wattage of 168W (GE), and 100W (US Class 2 PSU).
 Linear Go mini 320mm / 12.6"; 4.5W or 3.4W
 Linear Go mini 600mm / 23.6"; 9W or 6.8W
 Linear Go mini 900mm / 35.4"; 13.5W or 10.2W
 Linear Go mini 1200mm / 47.2"; 18W or 13.6W

Note: 3.4W or 4.5W per 300mm / 1ft.
 3.4W per foot model meets ASHRAE 90.1-2022 Zone 3 requirements.

Example:

Fixture daisy chain Voltage	Fixture Total Power Consumption *	Max Number of fixtures
24V DC (CE)	162W	e.g. 9pcs 1200mm (18W) per PSU input chain
24V DC (ETL) with Class 2 PSU	85.5W	e.g. 4pcs 1200mm (18W) = 3pcs 320mm (4.5W) per PSU input chain

Maximum number of fixtures is based on minimal interconnection lengths fixture to fixture.
 Actual number of fixtures is dependent on cable interconnection lengths. The number of fixtures will reduce if longer cable lengths are used. Please consult regional sales office to confirm maximums.

* Consider some Power Supply Unit (PSU) wattage buffer for total power consumption

Fixtures Model Number

XB	.	LG	.	1		NN	N	N	N	1	3	0	00
				Housing + Voltage	Wattage (Power)	LED	Optics	Length	Control	Approbation	Add on		
				1 - Mini DC	04: 3.4W	B: 2700K	2: 20°	1: 320mm / 12.6"	DMX	CE & ETL	0: Without GS		
					05: 4.5W	C: 3000K	4: 30°	3: 600mm / 23.6"					
					07: 6.8W	E: 4000K	B: 40°	4: 900mm / 35.4"					
					09: 9W	H: 5700K	D: 55° x 20°	6: 1200mm / 47.2"					
					11: 10.2W	I: 6500K							
					14: 13.5W								
					14: 13.6W								
					18: 18W								

Desired Model Number:

XB	.	LG	.	1						1	3	0	00
----	---	----	---	---	--	--	--	--	--	---	---	---	----

Fixtures (4.5W per 300mm / 1ft)

Model No.	Description	Item Code
XB.LG.105B2113000	LINEAR GO MINI DC 4.5W 2700K 20° 320	DL23100321555
XB.LG.109B2313000	LINEAR GO MINI DC 9W 2700K 20° 600	DL23100321655
XB.LG.114B2413000	LINEAR GO MINI DC 13.5W 2700K 20° 900	DL23100321755
XB.LG.118B2613000	LINEAR GO MINI DC 18W 2700K 20° 1200	DL23100321855
XB.LG.105B4113000	LINEAR GO MINI DC 4.5W 2700K 30° 320	DL23100322155
XB.LG.109B4313000	LINEAR GO MINI DC 9W 2700K 30° 600	DL23100322255
XB.LG.114B4413000	LINEAR GO MINI DC 13.5W 2700K 30° 900	DL23100322355
XB.LG.118B4613000	LINEAR GO MINI DC 18W 2700K 30° 1200	DL23100322455
XB.LG.105BB113000	LINEAR GO MINI DC 4.5W 2700K 40° 320	DL23100322755
XB.LG.109BB313000	LINEAR GO MINI DC 9W 2700K 40° 600	DL23100322855
XB.LG.114BB413000	LINEAR GO MINI DC 13.5W 2700K 40° 900	DL23100322955
XB.LG.118BB613000	LINEAR GO MINI DC 18W 2700K 40° 1200	DL23100323055
XB.LG.105BD113000	LINEAR GO MINI DC 4.5W 2700K 55°x20° 320	DL23100323355
XB.LG.109BD313000	LINEAR GO MINI DC 9W 2700K 55°x20° 600	DL23100323455
XB.LG.114BD413000	LINEAR GO MINI DC 13.5W 2700K 55°x20° 900	DL23100323555
XB.LG.118BD613000	LINEAR GO MINI DC 18W 2700K 55°x20° 1200	DL23100323655
XB.LG.105C2113000	LINEAR GO MINI DC 4.5W 3000K 20° 320	DL23100323955
XB.LG.109C2313000	LINEAR GO MINI DC 9W 3000K 20° 600	DL23100324055
XB.LG.114C2413000	LINEAR GO MINI DC 13.5W 3000K 20° 900	DL23100324155
XB.LG.118C2613000	LINEAR GO MINI DC 18W 3000K 20° 1200	DL23100324255
XB.LG.105C4113000	LINEAR GO MINI DC 4.5W 3000K 30° 320	DL23100324555
XB.LG.109C4313000	LINEAR GO MINI DC 9W 3000K 30° 600	DL23100324655
XB.LG.114C4413000	LINEAR GO MINI DC 13.5W 3000K 30° 900	DL23100324755
XB.LG.118C4613000	LINEAR GO MINI DC 18W 3000K 30° 1200	DL23100324855
XB.LG.105CB113000	LINEAR GO MINI DC 4.5W 3000K 40° 320	DL23100325155
XB.LG.109CB313000	LINEAR GO MINI DC 9W 3000K 40° 600	DL23100325255
XB.LG.114CB413000	LINEAR GO MINI DC 13.5W 3000K 40° 900	DL23100325355
XB.LG.118CB613000	LINEAR GO MINI DC 18W 3000K 40° 1200	DL23100325455
XB.LG.105CD113000	LINEAR GO MINI DC 4.5W 3000K 55°x20° 320	DL23100325755
XB.LG.109CD313000	LINEAR GO MINI DC 9W 3000K 55°x20° 600	DL23100325855
XB.LG.114CD413000	LINEAR GO MINI DC 13.5W 3000K 55°x20° 900	DL23100325955
XB.LG.118CD613000	LINEAR GO MINI DC 18W 3000K 55°x20° 1200	DL23100326055

Fixtures (4.5W per 300mm / 1ft)

Model No.	Description	Item Code
XB.LG.105E2113000	LINEAR GO MINI DC 4.5W 4000K 20° 320	DL23100326355
XB.LG.109E2313000	LINEAR GO MINI DC 9W 4000K 20° 600	DL23100326455
XB.LG.114E2413000	LINEAR GO MINI DC 13.5W 4000K 20° 900	DL23100326555
XB.LG.118E2613000	LINEAR GO MINI DC 18W 4000K 20° 1200	DL23100326655
XB.LG.105E4113000	LINEAR GO MINI DC 4.5W 4000K 30° 320	DL23100326955
XB.LG.109E4313000	LINEAR GO MINI DC 9W 4000K 30° 600	DL23100327055
XB.LG.114E4413000	LINEAR GO MINI DC 13.5W 4000K 30° 900	DL23100327155
XB.LG.118E4613000	LINEAR GO MINI DC 18W 4000K 30° 1200	DL23100327255
XB.LG.105EB113000	LINEAR GO MINI DC 4.5W 4000K 40° 320	DL23100327555
XB.LG.109EB313000	LINEAR GO MINI DC 9W 4000K 40° 600	DL23100327655
XB.LG.114EB413000	LINEAR GO MINI DC 13.5W 4000K 40° 900	DL23100327755
XB.LG.118EB613000	LINEAR GO MINI DC 18W 4000K 40° 1200	DL23100327855
XB.LG.105ED113000	LINEAR GO MINI DC 4.5W 4000K 55°x20° 320	DL23100328155
XB.LG.109ED313000	LINEAR GO MINI DC 9W 4000K 55°x20° 600	DL23100328255
XB.LG.114ED413000	LINEAR GO MINI DC 13.5W 4000K 55°x20° 900	DL23100328355
XB.LG.118ED613000	LINEAR GO MINI DC 18W 4000K 55°x20° 1200	DL23100328455
XB.LG.105H2113000	LINEAR GO MINI DC 4.5W 5700K 20° 320	DL23100328755
XB.LG.109H2313000	LINEAR GO MINI DC 9W 5700K 20° 600	DL23100328855
XB.LG.114H2413000	LINEAR GO MINI DC 13.5W 5700K 20° 900	DL23100328955
XB.LG.118H2613000	LINEAR GO MINI DC 18W 5700K 20° 1200	DL23100329055
XB.LG.105H4113000	LINEAR GO MINI DC 4.5W 5700K 30° 320	DL23100329355
XB.LG.109H4313000	LINEAR GO MINI DC 9W 5700K 30° 600	DL23100329455
XB.LG.114H4413000	LINEAR GO MINI DC 13.5W 5700K 30° 900	DL23100329555
XB.LG.118H4613000	LINEAR GO MINI DC 18W 5700K 30° 1200	DL23100329655
XB.LG.105HB113000	LINEAR GO MINI DC 4.5W 5700K 40° 320	DL23100329955
XB.LG.109HB313000	LINEAR GO MINI DC 9W 5700K 40° 600	DL23100330055
XB.LG.114HB413000	LINEAR GO MINI DC 13.5W 5700K 40° 900	DL23100330155
XB.LG.118HB613000	LINEAR GO MINI DC 18W 5700K 40° 1200	DL23100330255
XB.LG.105HD113000	LINEAR GO MINI DC 4.5W 5700K 55°x20° 320	DL23100330555
XB.LG.109HD313000	LINEAR GO MINI DC 9W 5700K 55°x20° 600	DL23100330655
XB.LG.114HD413000	LINEAR GO MINI DC 13.5W 5700K 55°x20° 900	DL23100330755
XB.LG.118HD613000	LINEAR GO MINI DC 18W 5700K 55°x20° 1200	DL23100330855
XB.LG.105I2113000	LINEAR GO MINI DC 4.5W 6500K 20° 320	DL23100331155
XB.LG.109I2313000	LINEAR GO MINI DC 9W 6500K 20° 600	DL23100331255
XB.LG.114I2413000	LINEAR GO MINI DC 13.5W 6500K 20° 900	DL23100331355
XB.LG.118I2613000	LINEAR GO MINI DC 18W 6500K 20° 1200	DL23100331455
XB.LG.105I4113000	LINEAR GO MINI DC 4.5W 6500K 30° 320	DL23100331755
XB.LG.109I4313000	LINEAR GO MINI DC 9W 6500K 30° 600	DL23100331855
XB.LG.114I4413000	LINEAR GO MINI DC 13.5W 6500K 30° 900	DL23100331955
XB.LG.118I4613000	LINEAR GO MINI DC 18W 6500K 30° 1200	DL23100332055
XB.LG.105IB113000	LINEAR GO MINI DC 4.5W 6500K 40° 320	DL23100332355
XB.LG.109IB313000	LINEAR GO MINI DC 9W 6500K 40° 600	DL23100332455
XB.LG.114IB413000	LINEAR GO MINI DC 13.5W 6500K 40° 900	DL23100332555
XB.LG.118IB613000	LINEAR GO MINI DC 18W 6500K 40° 1200	DL23100332655
XB.LG.105ID113000	LINEAR GO MINI DC 4.5W 6500K 55°x20° 320	DL23100332955
XB.LG.109ID313000	LINEAR GO MINI DC 9W 6500K 55°x20° 600	DL23100333055
XB.LG.114ID413000	LINEAR GO MINI DC 13.5W 6500K 55°x20° 900	DL23100333155
XB.LG.118ID613000	LINEAR GO MINI DC 18W 6500K 55°x20° 1200	DL23100333255

Fixtures (3.4W per 300mm / 1ft)

Model No.	Description	Item Code
XB.LG.104B2113000	LINEAR GO MINI DC 3.4W 2700K 20° 320	DL23100371955
XB.LG.114B2613000	LINEAR GO MINI DC 13.6W 2700K 20° 1200	DL23100372055
XB.LG.104B4113000	LINEAR GO MINI DC 3.4W 2700K 30° 320	DL23100372155
XB.LG.114B4613000	LINEAR GO MINI DC 13.6W 2700K 30° 1200	DL23100372255
XB.LG.104BB113000	LINEAR GO MINI DC 3.4W 2700K 40° 320	DL23100372355
XB.LG.114BB613000	LINEAR GO MINI DC 13.6W 2700K 40° 1200	DL23100372455
XB.LG.104BD113000	LINEAR GO MINI DC 3.4W 2700K 55°x20° 320	DL23100372555
XB.LG.114BD613000	LINEAR GO MINI DC 13.6W 2700K 55°x20° 1200	DL23100372655
XB.LG.104C2113000	LINEAR GO MINI DC 3.4W 3000K 20° 320	DL23100372755
XB.LG.114C2613000	LINEAR GO MINI DC 13.6W 3000K 20° 1200	DL23100372855
XB.LG.104C4113000	LINEAR GO MINI DC 3.4W 3000K 30° 320	DL23100372955
XB.LG.114C4613000	LINEAR GO MINI DC 13.6W 3000K 30° 1200	DL23100373055
XB.LG.104CB113000	LINEAR GO MINI DC 3.4W 3000K 40° 320	DL23100373155
XB.LG.114CB613000	LINEAR GO MINI DC 13.6W 3000K 40° 1200	DL23100373255
XB.LG.104CD113000	LINEAR GO MINI DC 3.4W 3000K 55°x20° 320	DL23100373355
XB.LG.114CD613000	LINEAR GO MINI DC 13.6W 3000K 55°x20° 1200	DL23100373455
XB.LG.104E2113000	LINEAR GO MINI DC 3.4W 4000K 20° 320	DL23100373555
XB.LG.114E2613000	LINEAR GO MINI DC 13.6W 4000K 20° 1200	DL23100373655
XB.LG.104E4113000	LINEAR GO MINI DC 3.4W 4000K 30° 320	DL23100373755
XB.LG.114E4613000	LINEAR GO MINI DC 13.6W 4000K 30° 1200	DL23100373855
XB.LG.104EB113000	LINEAR GO MINI DC 3.4W 4000K 40° 320	DL23100373955
XB.LG.114EB613000	LINEAR GO MINI DC 13.6W 4000K 40° 1200	DL23100374055
XB.LG.104ED113000	LINEAR GO MINI DC 3.4W 4000K 55°x20° 320	DL23100374155
XB.LG.114ED613000	LINEAR GO MINI DC 13.6W 4000K 55°x20° 1200	DL23100374255
XB.LG.104H2113000	LINEAR GO MINI DC 3.4W 5700K 20° 320	DL23100374355
XB.LG.114H2613000	LINEAR GO MINI DC 13.6W 5700K 20° 1200	DL23100374455
XB.LG.104H4113000	LINEAR GO MINI DC 3.4W 5700K 30° 320	DL23100374555
XB.LG.114H4613000	LINEAR GO MINI DC 13.6W 5700K 30° 1200	DL23100374655
XB.LG.104HB113000	LINEAR GO MINI DC 3.4W 5700K 40° 320	DL23100374755
XB.LG.114HB613000	LINEAR GO MINI DC 13.6W 5700K 40° 1200	DL23100374855
XB.LG.104HD113000	LINEAR GO MINI DC 3.4W 5700K 55°x20° 320	DL23100374955
XB.LG.114HD613000	LINEAR GO MINI DC 13.6W 5700K 55°x20° 1200	DL23100375055
XB.LG.104I2113000	LINEAR GO MINI DC 3.4W 6500K 20° 320	DL23100375155
XB.LG.114I2613000	LINEAR GO MINI DC 13.6W 6500K 20° 1200	DL23100375255
XB.LG.104I4113000	LINEAR GO MINI DC 3.4W 6500K 30° 320	DL23100375355
XB.LG.114I4613000	LINEAR GO MINI DC 13.6W 6500K 30° 1200	DL23100375455
XB.LG.104IB113000	LINEAR GO MINI DC 3.4W 6500K 40° 320	DL23100375555
XB.LG.114IB613000	LINEAR GO MINI DC 13.6W 6500K 40° 1200	DL23100375655
XB.LG.104ID113000	LINEAR GO MINI DC 3.4W 6500K 55°x20° 320	DL23100375755
XB.LG.114ID613000	LINEAR GO MINI DC 13.6W 6500K 55°x20° 1200	DL23100375855

TX Connect

Model No.	Description	Item Code
N / A	STARTER CABLE JYK DC 5-PIN 0.5M	DA23100096155
N / A	STARTER CABLE JYK DC 5-PIN 2M	DA23100096255
N / A	INTERCONNECTION CABLE JYK DC 5-PIN 0.5M	DA23100096355
N / A	INTERCONNECTION CABLE JYK DC 5-PIN 2M	DA23100096455
N / A	END CAP JYK DC DATA 5-PIN W/TERM	DA23100096555
N / A	T-CABLE JYK 5-PIN DC POWER INJECTOR	DA23100096655
N / A	5-PIN POWERDATA to 4-PIN DATA CABLE JYK	DA23100096755
N / A	Y-CABLE JYK 5-PIN DC POWER INJECTOR	DA23100754955

TX Control

Model No.	Description	Item Code
N / A	TX SMART ADDRESSER	AM438260055
N / A	LED ENGINE 24V 100W OUTDOOR	AM175860055
N / A	LED ENGINE 24V 185W OUTDOOR	AM175880055
N / A	LED ENGINE 24V 320W OUTDOOR	AM089350055

