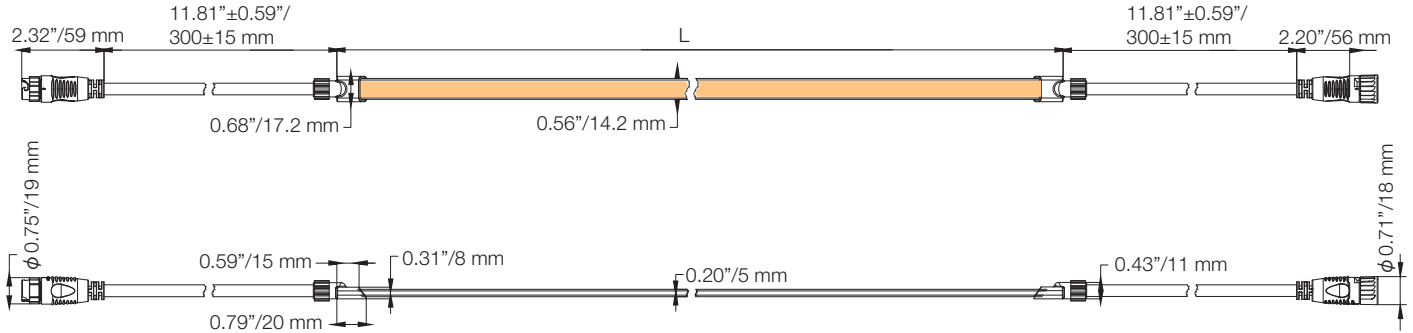




Safety Information

- Do not connect or disconnect the LED strip when the circuit is powered.
- Do not connect the LED strip to the power supply while it is in the packing.
- Do not connect this light to another manufacturer's product.
- Do not press on the LEDs and components to avoid physical damage.
- Interconnection shall be made only by the use of the supplied connectors. All open ends must be sealed-off before use.
- Please read the installation guide carefully for detailed installation planning.

Dimensions



Model	Max. Ribbon length with single power feed	Actual product length with endcap at 2-ends, L
RGB+W	26.2' / 8 m (CE) 20' / 6.1 m (ETL)	26.2'+0.8' / 8 m+20 mm (CE) 20'+0.8' / 6.1 m+20 mm (ETL)
RGB	26.2' / 8 m (CE, ETL)	26.2'+0.8' / 8 m+20 mm (CE, ETL)
DW & W	32.8' / 10 m (CE) 30.2' / 9.2 m (ETL)	32.8'+0.8' / 10 m+20 mm (CE) 30.2'+0.8' / 9.2 m+20 mm (ETL)

Remark: For other customized lengths (in multiples of $3.94'' / 100\text{ mm}$), the actual product length would be customized length + $0.78'' / + 20\text{ mm}$.

Do and Don't Do

✓ **Min.** Bending Radius for Ribbon body: $3.94''/100\text{ mm}$
Min. Bending Radius for cable: $1.18''/30\text{ mm}$

Diagram illustrating the minimum bending radius for the ribbon body and cable. The ribbon body has a minimum bending radius of $\geq 3.94''/100\text{ mm}$, and the cable has a minimum bending radius of $\geq 1.18''/30\text{ mm}$.

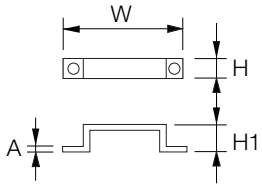
✗ **DO NOT** twist Media Pixel Ribbon.
 Damage will be caused to the internal circuitry.

Non-Bendable Length of $0.79''/20\text{ mm}$ near the connector end or near the ribbon cable entry **MUST** be adhered to.

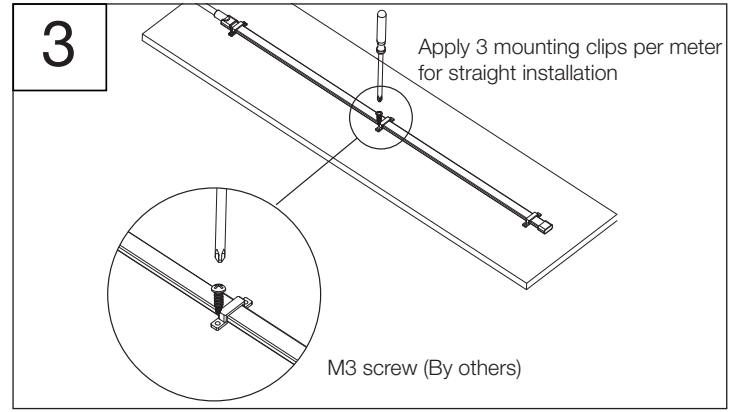
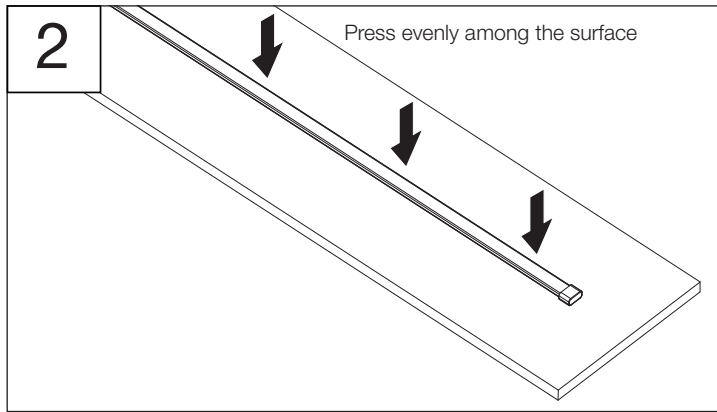
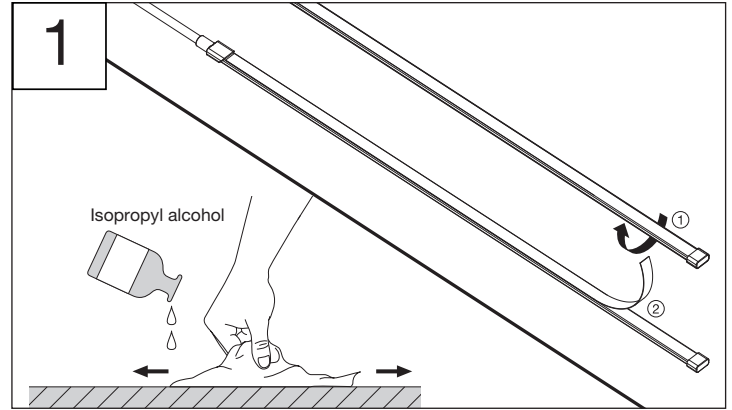
Diagram illustrating the non-bendable length near the connector end. The non-bendable length is $0.79''/20\text{ mm}$.



Mounting with Silicone Mounting Clip

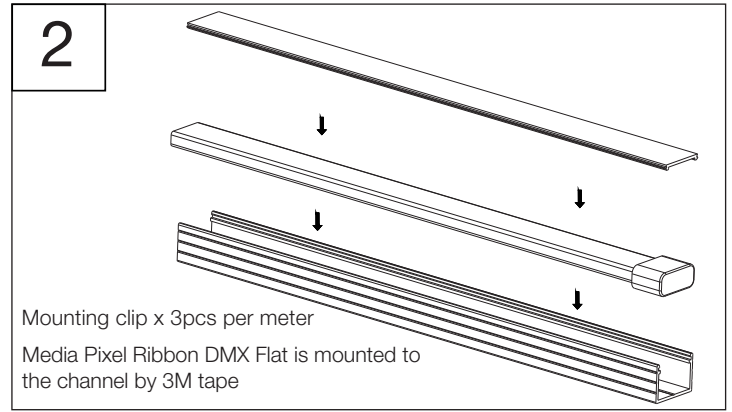
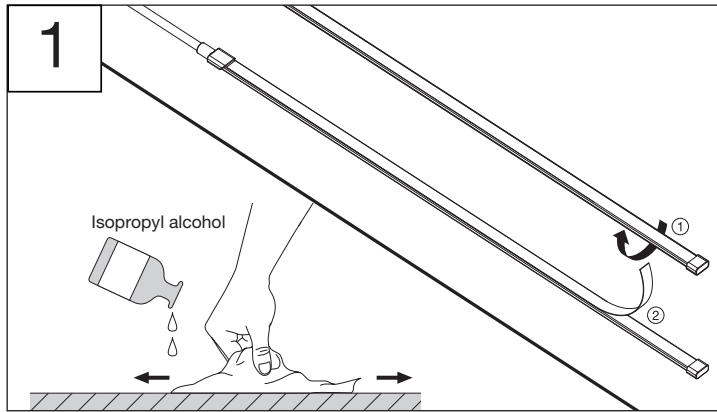
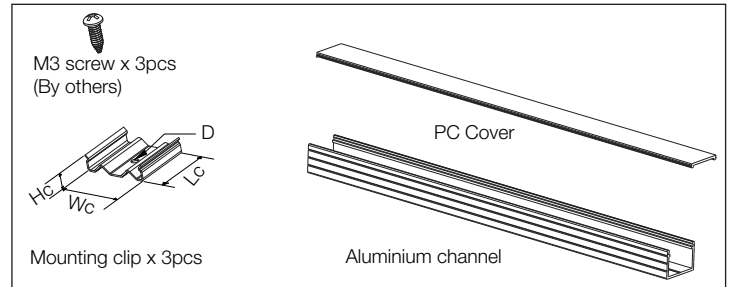
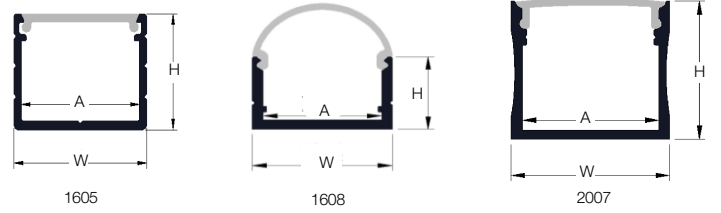


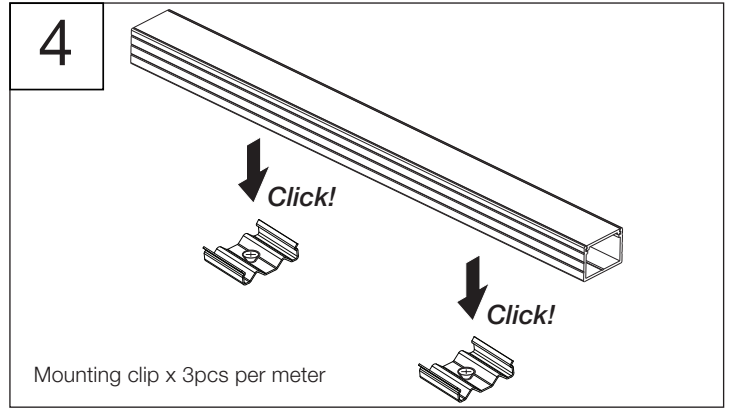
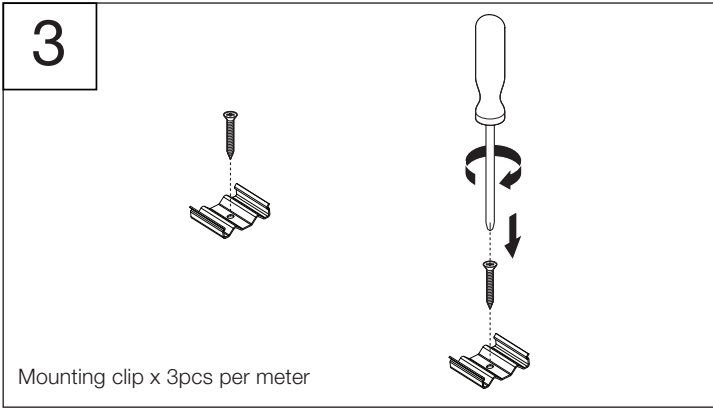
Description	W	A	H/H1	Item Code
MOUNTING CLIP	1.28"	0.07"	0.23" / 0.31"	AM412900055
FLAT RB 20PC	32.5 mm	2 mm	5.9 mm / 8 mm	



Mounting on U Channel

U-Channel			
	1605	1608	2007
Item Code	AM412910055	AM412920055	AM412930055
W	0.71" / 18.1 mm	0.76" / 19.4 mm	0.93" / 23.5 mm
A	0.63" / 16 mm	0.65" / 16.4 mm	0.80" / 20.2 mm
H	0.51" / 13 mm	0.46" / 11.6 mm	0.81" / 20.5 mm
Length	37.40" / 950 mm	37.40" / 950 mm	39.37" / 1000 mm
Material	Aluminium channel, PC cover, 304 stainless steel mounting clips		
Mounting Clip			
	1605	1608	2007
D	Ø0.14" / 3.5 mm	Ø0.14" / 3.5 mm	Ø0.18" / 4.5 mm
Hc	0.33" / 8.5 mm	0.33" / 8.5 mm	0.36" / 9.2 mm
Wc	0.35" / 9 mm	0.35" / 9 mm	0.59" / 15 mm
Lc	0.77" / 19.5 mm	0.87" / 22 mm	1.08" / 27.5 mm





Mounting on V Channel

V-Channel	
	3030R
Item Code	AM412940055
W	1.18" / 30 mm
A	0.81" / 20.5 mm
H	1.18" / 30 mm
Length	39.37" / 1000 mm
Material	Aluminium channel, PC cover, 304 stainless steel mounting clips
Mounting Clip	
	3030R
D	Ø0.16" / 4 mm
Hc	1.16" / 29.5 mm
Wc	1.23" / 31.2 mm
Lc	0.79" / 20 mm

