



TRAXON

Project: _____

Type: _____

ProPoint Kontour Rhythm RGBW



The Traxon ProPoint Kontour Rhythm is a slim, DC 24v powered flexible tube that is omni-bendable on both the horizontal and vertical axes. Its high flexibility is perfect for any curved surface or freeform installation, as well as straight highlighting applications for low-profile, high impact illumination.

ProPoint Kontour Rhythm is available in customizable lengths and cable feed locations. Controllable in 76mm / 3" segments, it can be used to distinguish facades, walls and architectural borders with a concentrated, even radiance, or can be used to create a dynamic river of light flowing along ceilings and walls.

This product is intended for use in high-quality colored light applications.



Product Specifications

Models	ProPoint Kontour Rhythm RGBW
Light Source	High Intensity SMT RGB 3-in-1 + White LEDs
Color Range	RGB+W (White CCT: 4000K)
Pixels	Min. 7 PXL – Max. 65 PXL
LED pitch	12.7 mm / 0.5" (6 sets of LED per pixel)
Pixel Pitch	76 mm / 3" per pixel
CRI (White LED)	≥90
SDCM for White LED	3-step
Luminous Flux	457 lm/m (137 lm/ft) RGBW full on
Efficacy	25 lm/W (RGBW full on)
Beam Angle	115°
Housing	UV resistant silicone
Dimensions (W x H)	23mm W x 23mm H / 0.9" W x 0.9" H
Dimensions (L)	Min. 540mm / 21.2" (7PXL); Max. 4959mm / 195.2" (65PXL)
Weight	0.5 kg/m / 0.33 lb/ft
Mounting	Various mounting brackets and channels
Min. Bend Radius	300mm / 12" - Omni-bend in any direction
Twist Angle	Max. 360° per 1000mm (39.4")
Regulatory Listing & Safety Approval	UL, CE, UKCA, RoHS, REACH, ANSI 3G, IK07
Operating Temperature	-30°C to +55°C / -22°F to +131°F
Storage Temperature	-40°C to +80°C / -40°F to +176°F
Environment	IP67 Outdoor Rated; suitable for coastal environments
Humidity	85%, non-condensing

Electrical Specifications

Input Voltage	DC24V
Power Consumption (Typ.)	18W/m / 5.5W/ft

System Specifications

Control	UCS8904B 16bit protocol provided by e:cue SYMPL pixel Node
Power Supply	Remote 24V DC

LED CHARACTERISTICS Because LEDs are semiconductor devices, their performances are subject to inherent variability commonly found in semiconductor industry. To improve consistency in performance across the same product, LED manufacturers "sort" LEDs into bins according to different preset parameters, such as forward driving voltage, illumination, etc. Whereas binning is a sorting function, it is not a correction process. Inherent variability in the manufacturing process results always in different binning distributions according to different production lots. Traxon uses automatically binned LEDs on its products, thereby minimizing output variations within the model range.

As with all electronic devices, LED output degrades over time – a term called lumen depreciation. This also explains why it is nearly impossible to expect photometric performances of two LED products with different service life spans to be the same. The rate of LED degrade is a complicate function of many factors such as operating efficiency, duration of continuous operation, and more significantly, environmental conditions (ambient temperature for example). If allowed working under optimal operating temperature range and with good ventilation, LED devices enjoy long service lives over conventional light sources. When using/installing LED devices, care should be taken to ensure that the devices will operate within the operating conditions specified in respective product literature.

This product contains a light source of energy efficiency class G to Regulation (EU) No 2019/2015. Lumen measurement complies with LM-79-08 standard. Lumen maintenance is calculated based on LM-80 compliant measurement.



www.traxon-ecue.com

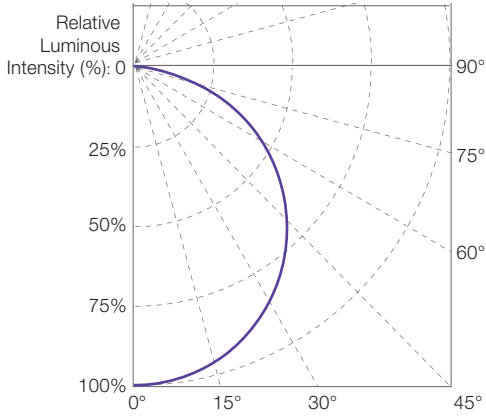


ProPoint Kontour Rhythm RGBW

Photometrics

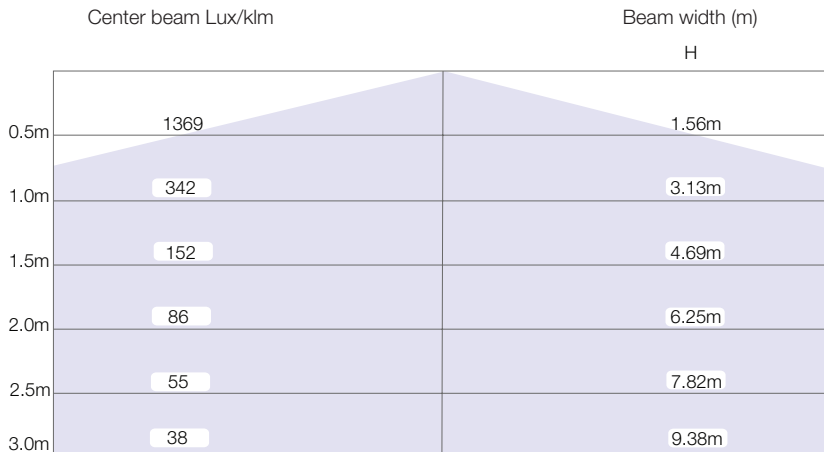
Candela Distribution

Light Output - base on 13PXL RGBW length (i.e 997mm / 39.2")



Color	Luminous Flux (lm)	Center Intensity (cd)	Efficacy (lm/W)
RGBW FULL ON	457.0	157	25.4
RGB ON	245.8	85	18.9
Red ON	50.3	18	8.2
Green ON	176.5	61	24.2
Blue ON	27.4	10	4.2
White ON	228.2	79	33

Illuminance at a Distance



■ Horiz.Spread: 114.8°

For fc divide by 10.7

For feet multiply by 3.28

IES and LDT files are available for download from the Traxon website.



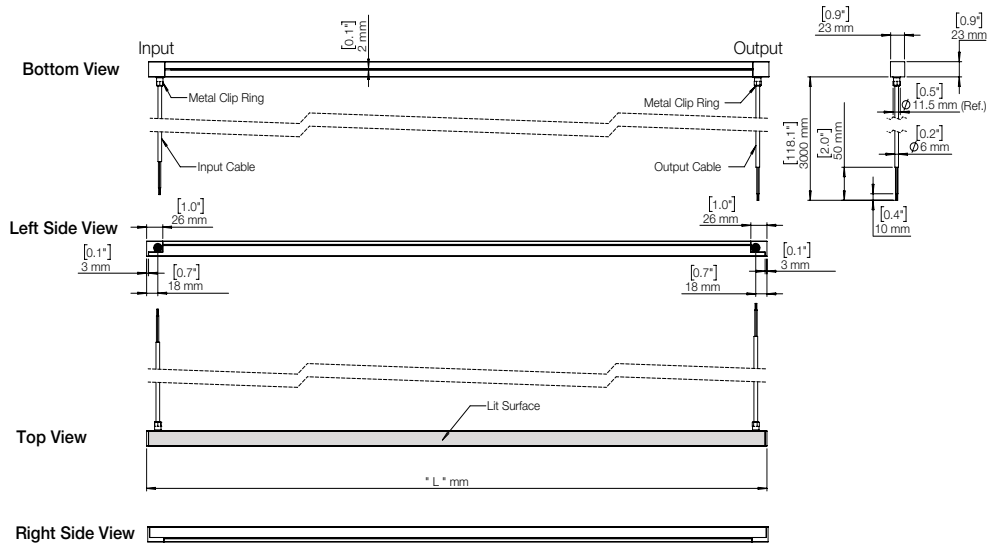
ProPoint Kontour Rhythm RGBW

Dimensions

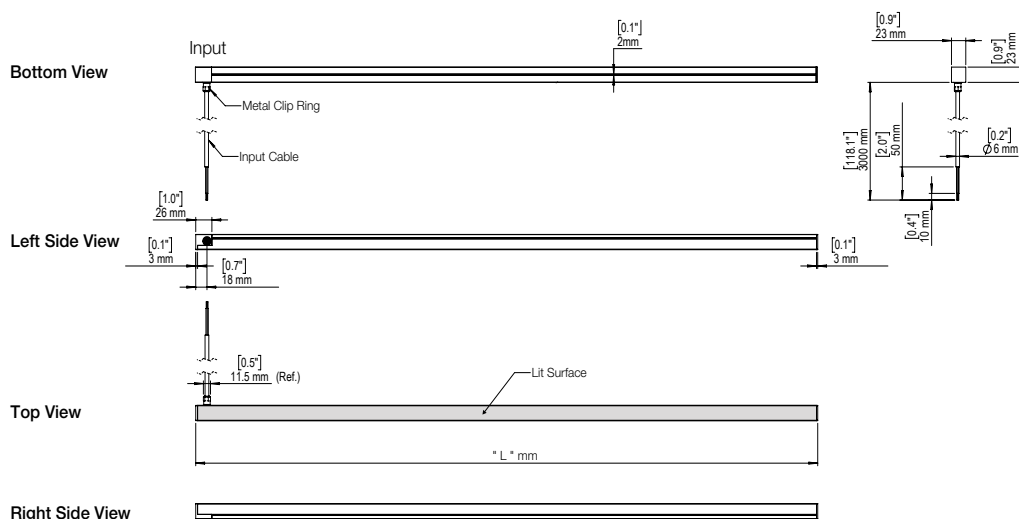
Cable Connection and Length

Input cable		ProPoint Kontour Rhythm length (L)			
Wire Color	Description	Pixel number (PXL)	Length L (mm)	Length L (inch)	Tolerance
Black	Ground	7 PXL - 20 PXL	PXL x 76.2 + 6	PXL x 3 + 0.2	±10mm / ± 0.4"
White	Data	21 PXL - 34 PXL			±20mm / ± 0.8"
Red	24V+ DC	35 PXL - 47 PXL			±30mm / ± 1.2"
		48 PXL - 65 PXL			±40mm / ± 1.6"
Output cable (Only for Input&Output Version)		eg. 13 PXL	997mm	39.2"	±10mm / ± 0.4"
Wire Color		eg. 64 PXL	4883mm	192.2"	±40mm / ± 1.6"
Black		eg. 65 PXL	4969mm	195.2"	±40mm / ± 1.6"
White		Note 1: Different lengths according to the number of Pixel			
Red		Note 2: Per Kontour Rhythm: Minimum 7 Pixels; Maximum 65 Pixels			

Left Input - Left Output



Left Input

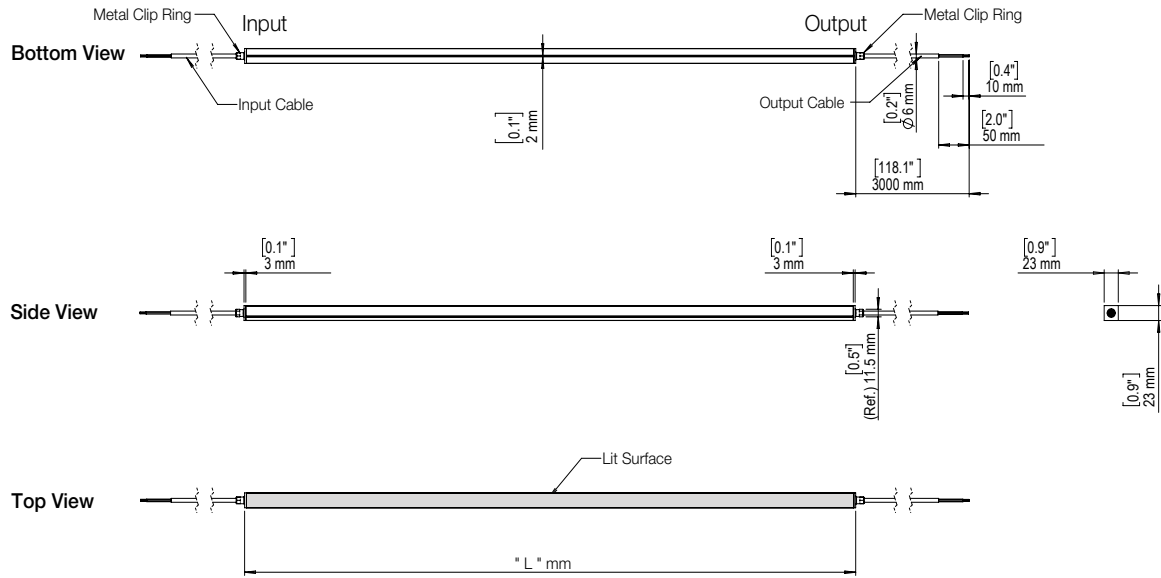




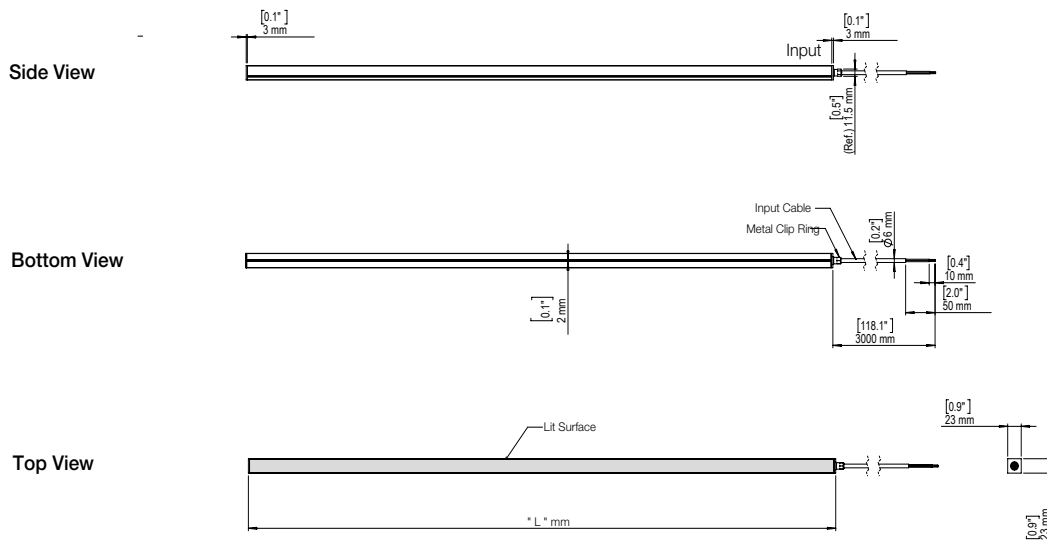
ProPoint Kontour Rhythm RGBW

Dimensions

End Input - End Output

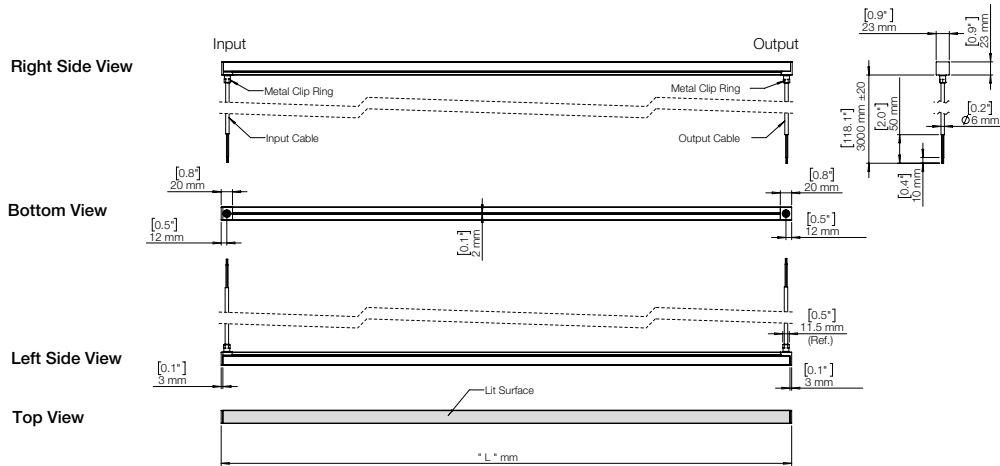


End Input

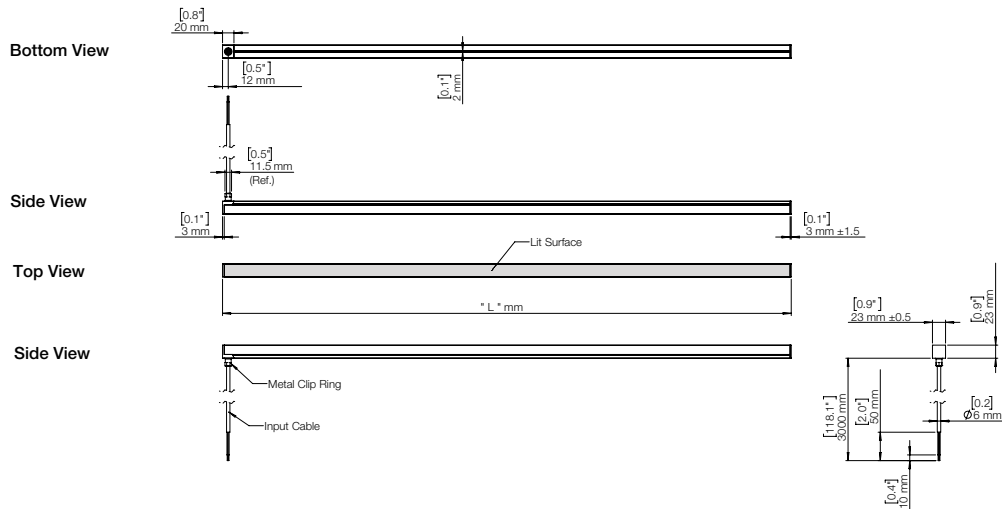




Bottom Input - Bottom Output



Bottom Input





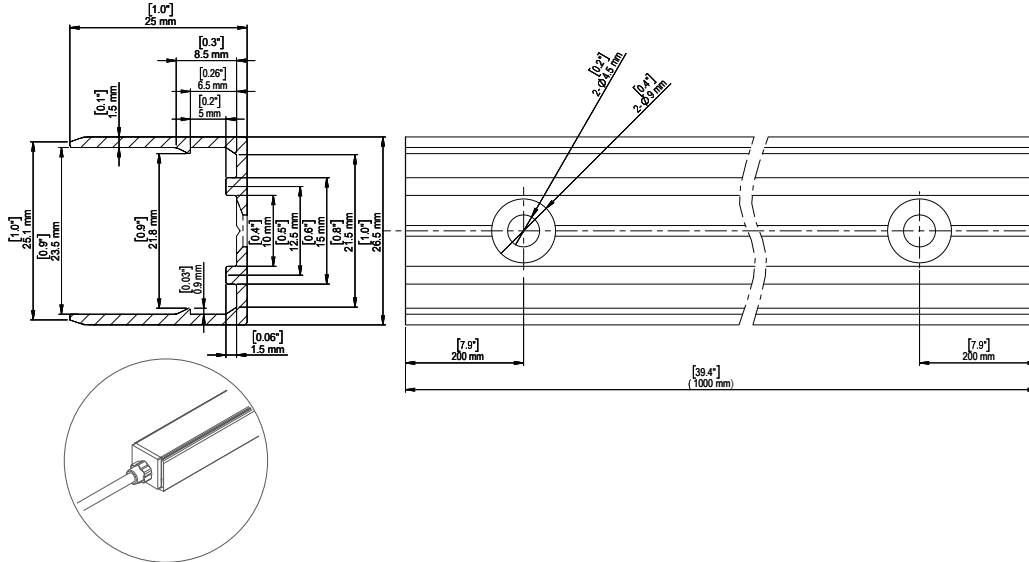
ProPoint Kontour Rhythm RGBW

Dimensions

ProPoint Kontour Rhythm Aluminum Channel - 1m / 3.3ft

Suggest to be used for Kontour Rhythm with End or Left cable-In/cable-out

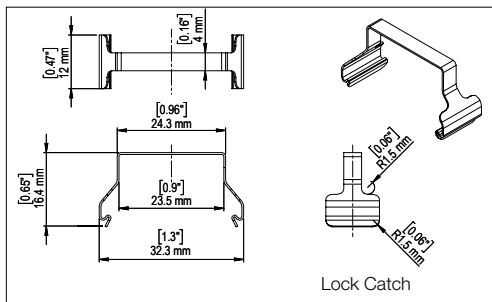
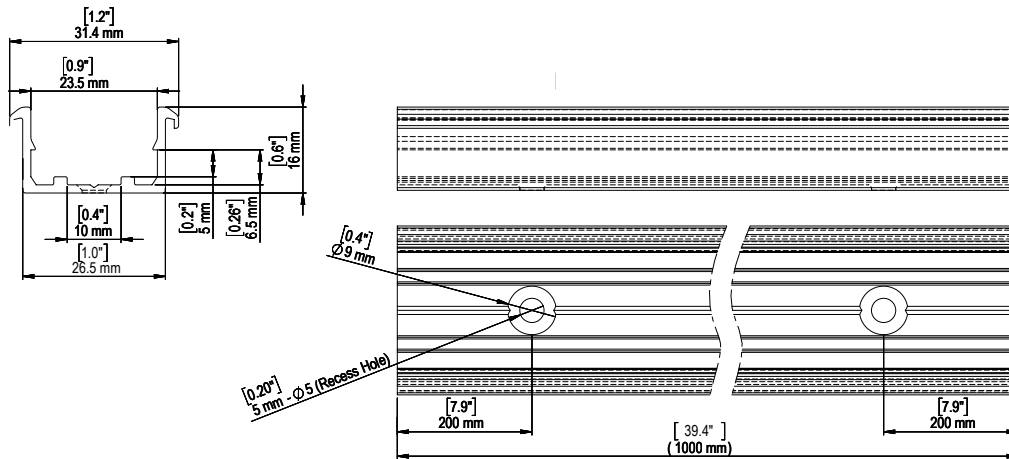
Model No.	Item Code
KR.MA.01.10001	AM436860055



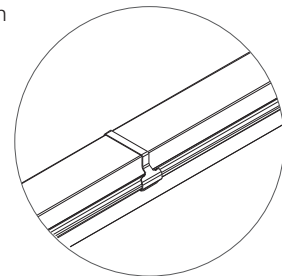
ProPoint Kontour Rhythm Aluminum Channel (with lock catch) - 1m / 3.3ft

Suggest to be used for Kontour Rhythm with End or Left cable-In/cable-out

Model No.	Item Code
KR.MA.02.10001	AM436870055



Lock catch for outdoor installation
(2pcs per metre / 3.3ft)





ProPoint Kontour Rhythm RGBW

Dimensions

ProPoint Kontour Rhythm Flexible Channel - 1m / 3.3ft

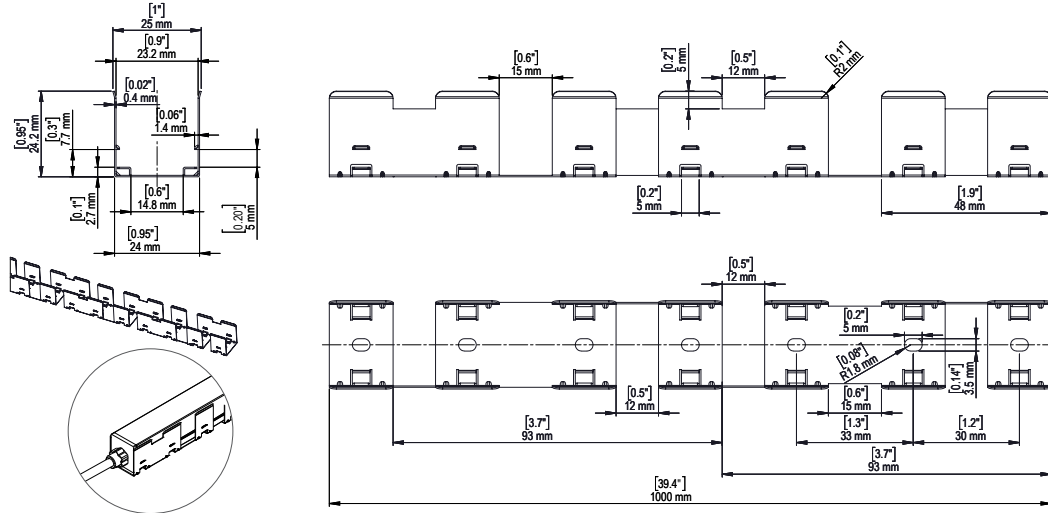
Suggest to be used for Kontour Rhythm with End or Left cable-In/cable-out

Model No.

Item Code

KR.MA.03.10002

AM436880055



ProPoint Kontour Rhythm Flexible Channel (with lock catch) - 1m / 3.3ft

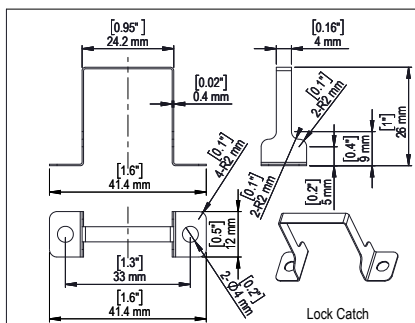
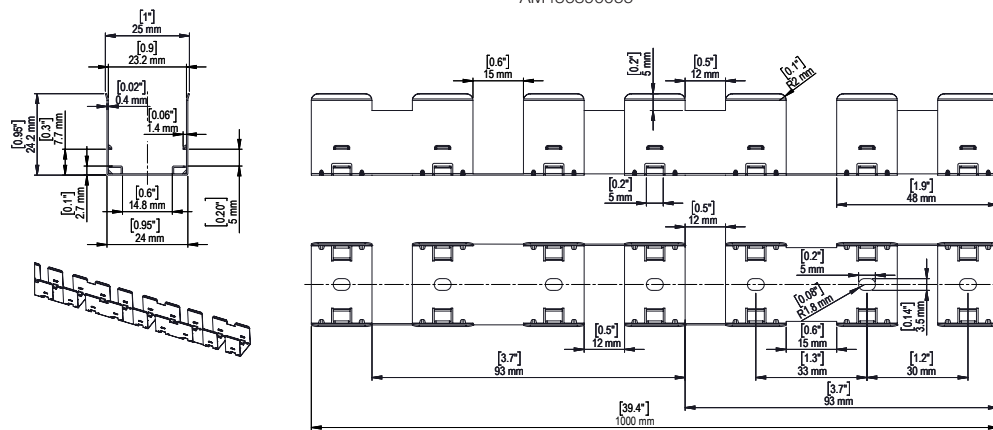
Suggest to be used for Kontour Rhythm with End or Left cable-In/cable-out

Model No.

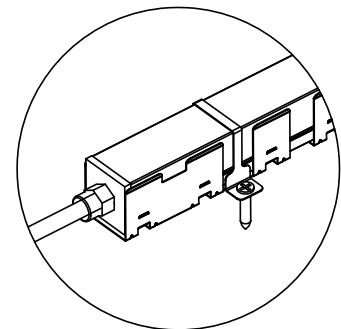
Item Code

KR.MA.04.10002

AM436890055



Lock catch for outdoor installation
(2pcs per metre / 3.3ft)



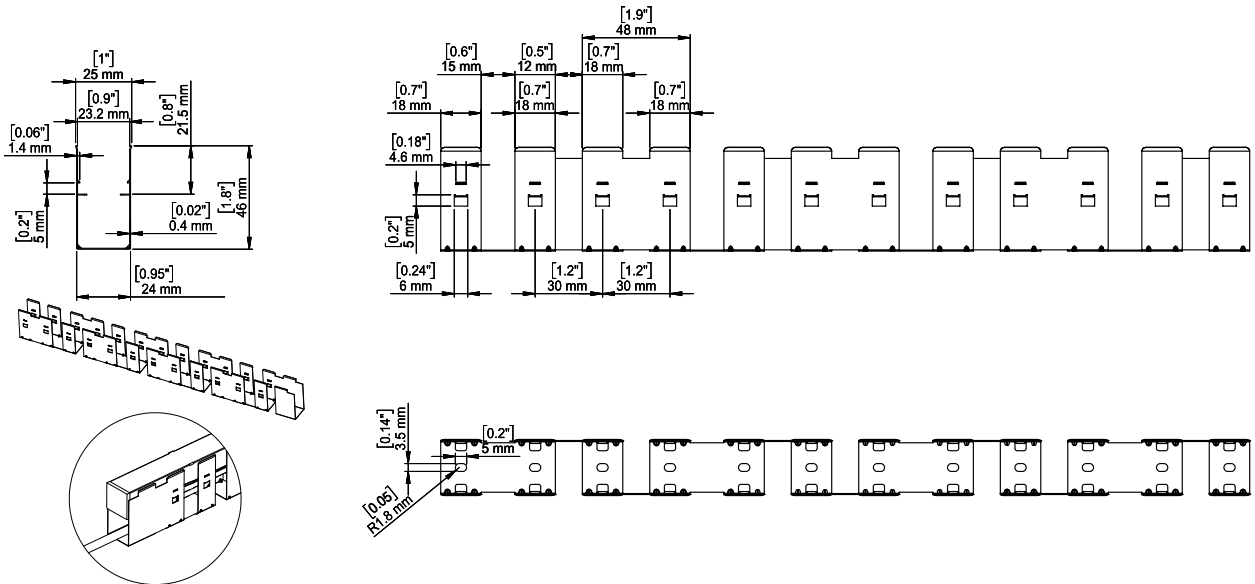


ProPoint Kontour Rhythm RGBW

Dimensions

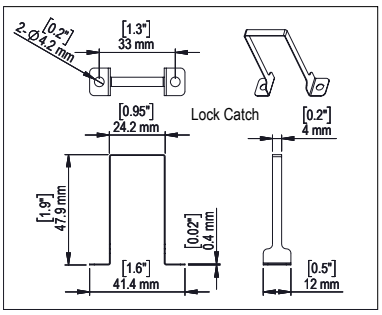
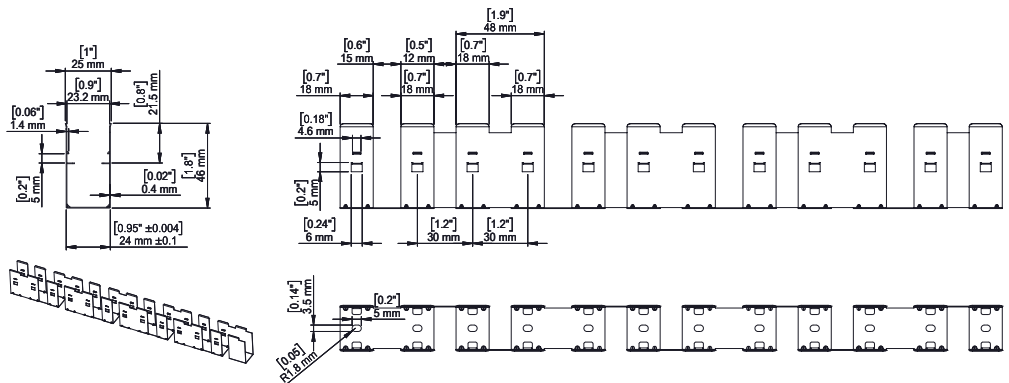
ProPoint Kontour Rhythm Flexible Channel Trunking - 1m / 3.3ft
 Suggest to be used for Kontour Rhythm with Bottom cable-in/cable out

Model No.	Item Code
KR.MA.05.10002	AM436900055

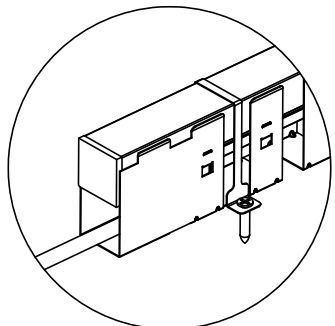


ProPoint Kontour Rhythm Flexible Channel Trunking (with lock catch) - 1m / 3.3ft
 Suggest to be used for Kontour Rhythm with Bottom cable-in/cable out

Model No.	Item Code
KR.MA.06.10002	AM436910055



Lock catch for outdoor installation
 (2pcs per metre / 3.3ft)

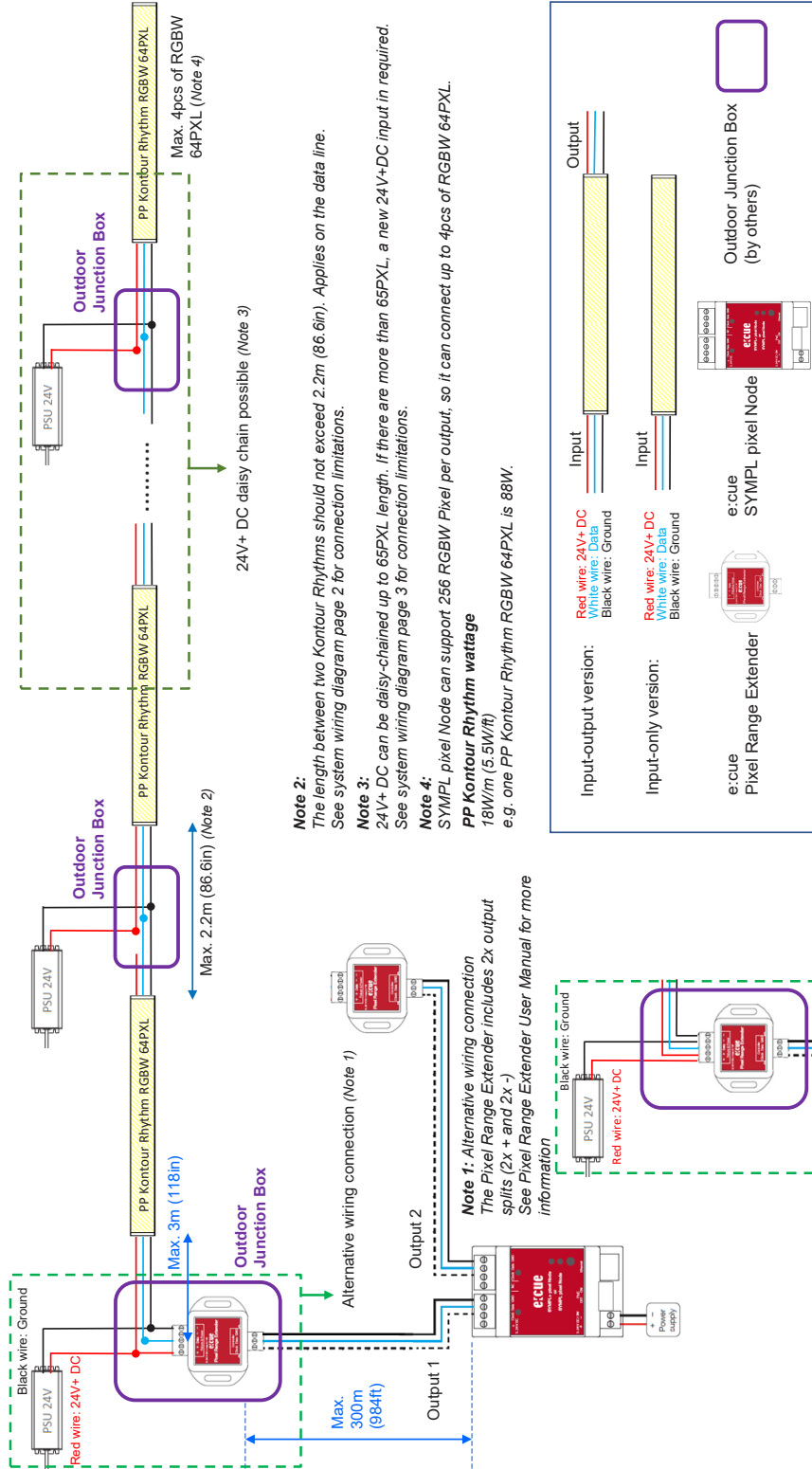




TRAXON

ProPoint Kontour Rhythm RGBW

System Diagram

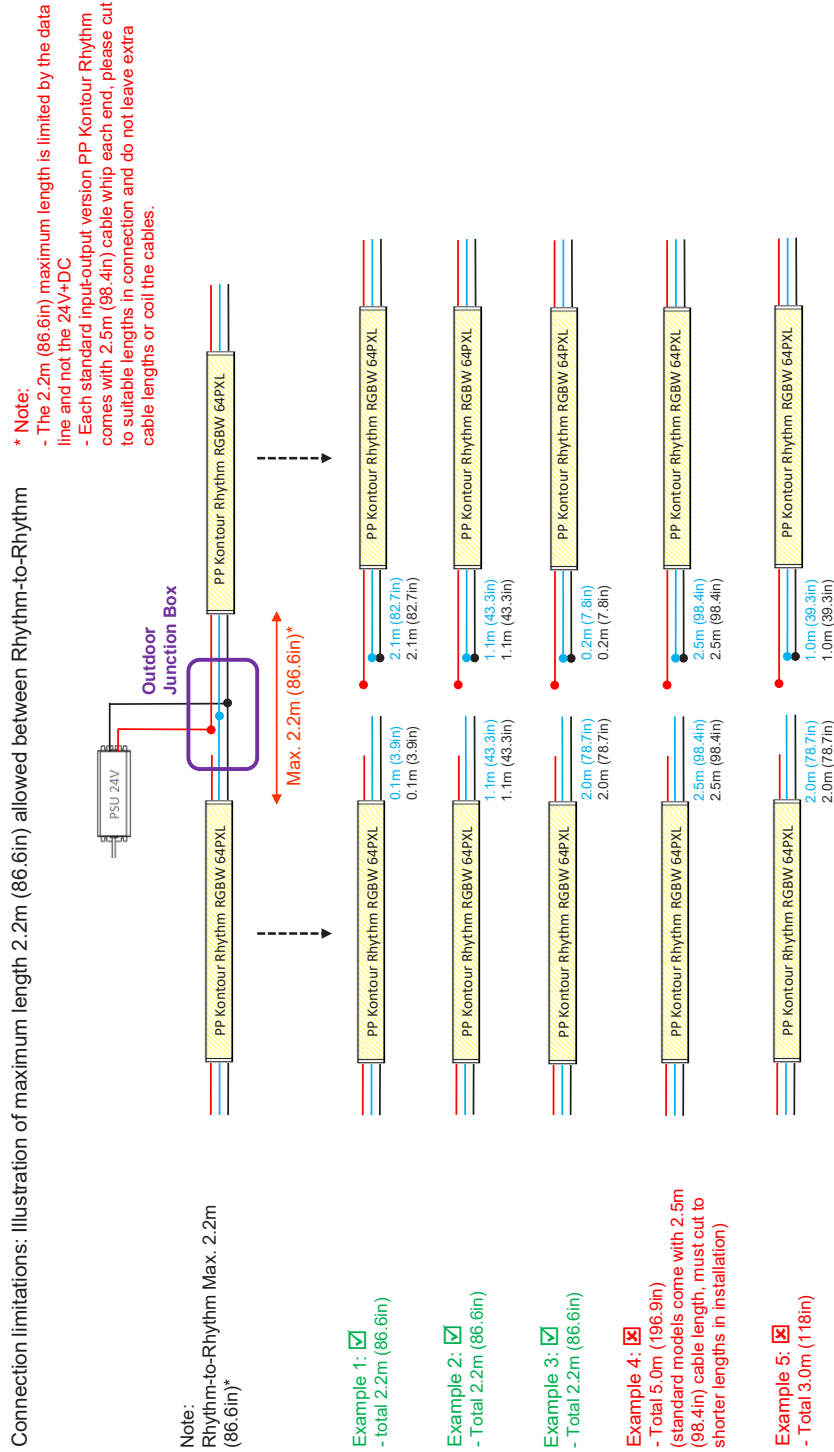




TRAXON

ProPoint Kontour Rhythm RGBW

System Diagram





TRAXON

ProPoint Kontour Rhythm RGBW

Ordering

Fixtures Model Number

Rhythm	Pixel #	Cable-In type	Cable-In length	Cable-Out type	Cable-Out length	Color (LED)	CCT	Lens	Color Finish	
R	UV	C	DE	F	GH	A	X	0	1	3
	e.g. 01=1Pixel 13=13PXL	B=Bottom E=End L=Left	e.g. 01=1m 03=3m	0=No cable-out B=Bottom E=End L=Left	e.g. 00=0m 01=1m 03=3m	A=RGB* 4=RGBW	0=no CCT 4=4000K	1=Diffused Flat	3=White	

* RGB is on request.

Fixtures

Model No.	Description	Length	Item Code
R08.B03.000.44013	ProPoint Kontour Rhythm RGBW 8PXL- 2.5M Input Bottom	616 mm / 24.2"	AM436380055
R16.B03.000.44013	ProPoint Kontour Rhythm RGBW 16PXL- 2.5M Input Bottom	1225 mm / 48.2"	AM436390055
R24.B03.000.44013	ProPoint Kontour Rhythm RGBW 24PXL- 2.5M Input Bottom	1835 mm / 72.2"	AM436400055
R32.B03.000.44013	ProPoint Kontour Rhythm RGBW 32PXL- 2.5M Input Bottom	2444 mm / 96.2"	AM436410055
R40.B03.000.44013	ProPoint Kontour Rhythm RGBW 40PXL- 2.5M Input Bottom	3054 mm / 120.2"	AM436420055
R48.B03.000.44013	ProPoint Kontour Rhythm RGBW 48PXL- 2.5M Input Bottom	3664 mm / 144.2"	AM436430055
R56.B03.000.44013	ProPoint Kontour Rhythm RGBW 56PXL- 2.5M Input Bottom	4273 mm / 168.2"	AM436440055
R64.B03.000.44013	ProPoint Kontour Rhythm RGBW 64PXL- 2.5M Input Bottom	4883 mm / 192.2"	AM436450055
R08.E03.000.44013	ProPoint Kontour Rhythm RGBW 8PXL- 2.5M Input End	616 mm / 24.2"	AM436460055
R16.E03.000.44013	ProPoint Kontour Rhythm RGBW 16PXL- 2.5M Input End	1225 mm / 48.2"	AM436470055
R24.E03.000.44013	ProPoint Kontour Rhythm RGBW 24PXL- 2.5M Input End	1835 mm / 72.2"	AM436480055
R32.E03.000.44013	ProPoint Kontour Rhythm RGBW 32PXL- 2.5M Input End	2444 mm / 96.2"	AM436490055
R40.E03.000.44013	ProPoint Kontour Rhythm RGBW 40PXL- 2.5M Input End	3054 mm / 120.2"	AM436500055
R48.E03.000.44013	ProPoint Kontour Rhythm RGBW 48PXL- 2.5M Input End	3664 mm / 144.2"	AM436510055
R56.E03.000.44013	ProPoint Kontour Rhythm RGBW 56PXL- 2.5M Input End	4273 mm / 168.2"	AM436520055
R64.E03.000.44013	ProPoint Kontour Rhythm RGBW 64PXL- 2.5M Input End	4883 mm / 192.2"	AM436530055
R08.L03.000.44013	ProPoint Kontour Rhythm RGBW 8PXL- 2.5M Input Left	616 mm / 24.2"	AM436540055
R16.L03.000.44013	ProPoint Kontour Rhythm RGBW 16PXL- 2.5M Input Left	1225 mm / 48.2"	AM436550055
R24.L03.000.44013	ProPoint Kontour Rhythm RGBW 24PXL- 2.5M Input Left	1835 mm / 72.2"	AM436560055
R32.L03.000.44013	ProPoint Kontour Rhythm RGBW 32PXL- 2.5M Input Left	2444 mm / 96.2"	AM436570055
R40.L03.000.44013	ProPoint Kontour Rhythm RGBW 40PXL- 2.5M Input Left	3054 mm / 120.2"	AM436580055
R48.L03.000.44013	ProPoint Kontour Rhythm RGBW 48PXL- 2.5M Input Left	3664 mm / 144.2"	AM436590055
R56.L03.000.44013	ProPoint Kontour Rhythm RGBW 56PXL- 2.5M Input Left	4273 mm / 168.2"	AM436600055
R64.L03.000.44013	ProPoint Kontour Rhythm RGBW 64PXL- 2.5M Input Left	4883 mm / 192.2"	AM436610055
R08.B03.B03.44013	ProPoint Kontour Rhythm RGBW 8PXL- 2.5M Input Bottom 2.5M Output Bottom	616 mm / 24.2"	AM436620055
R16.B03.B03.44013	ProPoint Kontour Rhythm RGBW 16PXL- 2.5M Input Bottom 2.5M Output Bottom	1225 mm / 48.2"	AM436630055
R24.B03.B03.44013	ProPoint Kontour Rhythm RGBW 24PXL- 2.5M Input Bottom 2.5M Output Bottom	1835 mm / 72.2"	AM436640055
R32.B03.B03.44013	ProPoint Kontour Rhythm RGBW 32PXL- 2.5M Input Bottom 2.5M Output Bottom	2444 mm / 96.2"	AM436650055
R40.B03.B03.44013	ProPoint Kontour Rhythm RGBW 40PXL- 2.5M Input Bottom 2.5M Output Bottom	3054 mm / 120.2"	AM436660055
R48.B03.B03.44013	ProPoint Kontour Rhythm RGBW 48PXL- 2.5M Input Bottom 2.5M Output Bottom	3664 mm / 144.2"	AM436670055
R56.B03.B03.44013	ProPoint Kontour Rhythm RGBW 56PXL- 2.5M Input Bottom 2.5M Output Bottom	4273 mm / 168.2"	AM436680055
R64.B03.B03.44013	ProPoint Kontour Rhythm RGBW 64PXL- 2.5M Input Bottom 2.5M Output Bottom	4883 mm / 192.2"	AM436690055



www.traxon-ecue.com



ProPoint Kontour Rhythm RGBW

Ordering

Fixtures

Model No.	Description	Length	Item Code
R08.E03.E03.44013	ProPoint Kontour Rhythm RGBW 8PXL- 2.5M Input End 2.5M Output End	616 mm / 24.2"	AM436700055
R16.E03.E03.44013	ProPoint Kontour Rhythm RGBW 16PXL- 2.5M Input End 2.5M Output End	1225 mm / 48.2"	AM436710055
R24.E03.E03.44013	ProPoint Kontour Rhythm RGBW 24PXL- 2.5M Input End 2.5M Output End	1835 mm / 72.2"	AM436720055
R32.E03.E03.44013	ProPoint Kontour Rhythm RGBW 32PXL- 2.5M Input End 2.5M Output End	2444 mm / 96.2"	AM436730055
R40.E03.E03.44013	ProPoint Kontour Rhythm RGBW 40PXL- 2.5M Input End 2.5M Output End	3054 mm / 120.2"	AM436740055
R48.E03.E03.44013	ProPoint Kontour Rhythm RGBW 48PXL- 2.5M Input End 2.5M Output End	3664 mm / 144.2"	AM436750055
R56.E03.E03.44013	ProPoint Kontour Rhythm RGBW 56PXL- 2.5M Input End 2.5M Output End	4273 mm / 168.2"	AM436760055
R64.E03.E03.44013	ProPoint Kontour Rhythm RGBW 64PXL- 2.5M Input End 2.5M Output End	4883 mm / 192.2"	AM436770055
R08.L03.E03.44013	ProPoint Kontour Rhythm RGBW 8PXL- 2.5M Input Left 2.5M Output Left	616 mm / 24.2"	AM436780055
R16.L03.E03.44013	ProPoint Kontour Rhythm RGBW 16PXL- 2.5M Input Left 2.5M Output Left	1225 mm / 48.2"	AM436790055
R24.L03.E03.44013	ProPoint Kontour Rhythm RGBW 24PXL- 2.5M Input Left 2.5M Output Left	1835 mm / 72.2"	AM436800055
R32.L03.E03.44013	ProPoint Kontour Rhythm RGBW 32PXL- 2.5M Input Left 2.5M Output Left	2444 mm / 96.2"	AM436810055
R40.L03.E03.44013	ProPoint Kontour Rhythm RGBW 40PXL- 2.5M Input Left 2.5M Output Left	3054 mm / 120.2"	AM436820055
R48.L03.E03.44013	ProPoint Kontour Rhythm RGBW 48PXL- 2.5M Input Left 2.5M Output Left	3664 mm / 144.2"	AM436830055
R56.L03.E03.44013	ProPoint Kontour Rhythm RGBW 56PXL- 2.5M Input Left 2.5M Output Left	4273 mm / 168.2"	AM436840055
R64.L03.E03.44013	ProPoint Kontour Rhythm RGBW 64PXL- 2.5M Input Left 2.5M Output Left	4883 mm / 192.2"	AM436850055

Accessories

Model No.	Description	Item Code
KR.MA.01.10001	PP K Rhythm Aluminum Channel - 1m	AM436860055
KR.MA.02.10001	PP K Rhythm Aluminum Channel (with lock catch) - 1m	AM436870055
KR.MA.03.10002	PP K Rhythm Flexible Channel - 1m	AM436880055
KR.MA.04.10002	PP K Rhythm Flexible Channel (with lock catch) - 1m	AM436890055
KR.MA.05.10002	PP K Rhythm Flexible Channel Trunking - 1m	AM436900055*
KR.MA.06.10002	PP K Rhythm Flexible Channel Trunking (with lock catch) - 1m	AM436910055*

*Order on request

TX Power Supply

Model No.	Description	Item Code
N/A	LED Engine 100W 24V Outdoor	AM175860055
N/A	LED Engine 185W 24V Outdoor	AM175880055

E:cue Control

Model No.	Description	Item Code
N/A	SYMPL Core S	AB447060035
N/A	SYMPL PIXEL NODE E:CUE	AM390290035
N/A	2X PIXEL RANGE EXTENDER E:CUE	AM394020035