



# TRAXON

Date: \_\_\_\_\_ Quantity: \_\_\_\_\_

Company: \_\_\_\_\_

Project: \_\_\_\_\_



## ProPoint® Linear SO Static White + Color

The ProPoint Linear Static White + Color is an AC Line powered luminaire in a slim profile. The ProPoint Linear is available in 8W (SO) or 12W (HO) per foot output, 4 beam options, standard & custom finishes which can meet the needs for most projects. The daisy chain topology is augmented with a separate Data Injector allowing single cable feed combining data and power to fixtures.



### Product Specifications

Model	ProPoint Linear SO Static White + Color 1'	ProPoint Linear SO Static White + Color 4'
Light Source	5 LED	20 LED
Color Range	3000K / 4000K Standard 2200K, 2700K, 3500K, 5000K, 6500K, Red, Green, Blue, Amber available <sup>1</sup>	
Beam Angle	15°, 25°, 35°, 50° x 30°, 105° x 105°	
Luminous Flux	661 / 719 lm @15°	2751 / 2906 lm @15°
Efficacy	82 / 87 lm/W @15°	86 / 93 lm/W @15°
Lumen Maintenance	L70 @ 25° 81,000 hours	
Cover Lens	Tempered Glass	
Housing	Die Cast Aluminum	
Adjustment Options	±90°	
Dimensions (L x W x H)	300mm x 58mm x 90mm (12" x 2.3" x 3.6")	1200mm x 58mm x 90mm (48" x 2.3" x 3.6")
Weight	1.35 kg (3 lbs.)	3.6 kg (8 lbs.)
Regulatory Listing & Safety Approval	cETLus, FCC, RoHS, ASTM B117-16, ANSI 3G, IK08	
Operating Temperature	-30°C to +55°C (-22°F to +131°F)	
Storage Temperature	-40°C to +80°C (-40°F to +176°F)	
Minimum Starting Temperature	-20°C (-4°F)	
Environment	IP66 Outdoor, suitable for coastal environments	
Humidity	85%, non-condensing	

### Electrical Specifications

Input Voltage <sup>2</sup>	100-277Vac 50/60Hz	
Power Consumption	8W	32W
Power Factor	≥ 0.9	

### System Specifications

Power	AC line
Control	DMX512, RDM Enabled
Power Supply	Integrated

1. No MOQ required. Please consult the regional sales office for pricing and lead time.
2. Auto-switching. Single phase (line, neutral and ground).

**LED CHARACTERISTICS** Because LEDs are semiconductor devices, their performances are subject to inherent variability commonly found in semiconductor industry. To improve consistency in performance across the same product, LED manufacturers "sort" LEDs into bins according to different preset parameters, such as forward driving voltage, illumination, etc. Whereas binning is a sorting function, it is not a correction process. Inherent variability in the manufacturing process results always in different binning distributions according to different production lots. Traxon uses automatically binned LEDs on its products, thereby minimizing output variations within the model range.

As with all electronic devices, LED output degrades over time – a term called lumen depreciation. This also explains why it is nearly impossible to expect photometric performances of two LED products with different service life spans to be the same. The rate of LED degrade is a complicated function of many factors such as operating efficiency, duration of continuous operation, and more significantly, environmental conditions (ambient temperature for example). If allowed working under optimal operating temperature range and with good ventilation, LED devices enjoy long service lives over conventional light sources. When using/installing LED devices, care should be taken to ensure that the devices will operate within the operating conditions specified in respective product literature.

This product contains a light source of energy efficiency class G to Regulation (EU) No 2019/2015.  
Lumen measurement complies with LM-79-08 standard.  
Lumen maintenance is calculated based on LM-80 compliant measurement.

[www.traxon-ecue.com](http://www.traxon-ecue.com)

©2023 TRAXON TECHNOLOGIES - AN OSRAM BUSINESS. ALL RIGHTS RESERVED. TRAXON™, TX CONNECT®, ARE TRADEMARKS OF TRAXON TECHNOLOGIES. U.S. PATENTS, E.U. PATENTS, JAPAN PATENTS, OTHER PATENTS PENDING. SPECIFICATIONS ARE SUBJECT TO CHANGE WITHOUT NOTICE.



# TRAXON

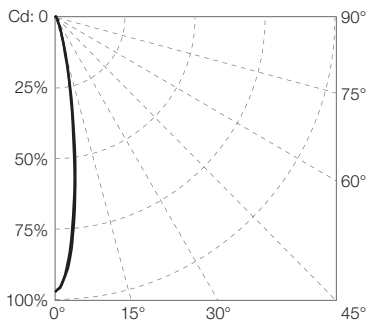
## ProPoint® Linear SO Static White + Color

## Photometrics

### Source Specifications

LED Source	5 LED / 20 LED
Beam Angle	15°
Cover Lens	Tempered Glass

### Candela Distribution

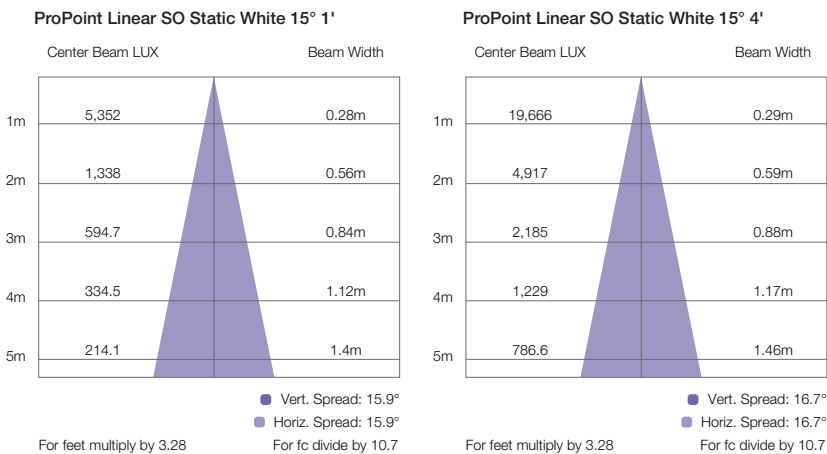


### Light Output

Color	Luminous Flux (lm)	Candela Distribution at 100%	Efficacy (lm/W)
<b>ProPoint Linear SO Static White + Color 15° 1'</b>			
3000K	661.12	5,334.21	82.64
4000K	719.27	5,487.08	87.72
<b>ProPoint Linear SO Static White + Color 15° 4'</b>			
3000K	2,751.4	19,853.38	84.92
4000K	2,906.6	21,217.33	92.86

Diagram based on SO 3000K 15°

### Illuminance at a Distance



Diagrams based on SO 3000K 15° measurements



www.traxon-ecue.com

©2023 TRAXON TECHNOLOGIES - AN OSRAM BUSINESS. ALL RIGHTS RESERVED. TRAXON™, TX CONNECT®, ARE TRADEMARKS OF TRAXON TECHNOLOGIES. U.S. PATENTS, E.U. PATENTS, JAPAN PATENTS, OTHER PATENTS PENDING. SPECIFICATIONS ARE SUBJECT TO CHANGE WITHOUT NOTICE.



# TRAXON

## ProPoint® Linear SO Static White + Color

## Photometrics

### Source Specifications

LED Source	5 LED / 20 LED
Beam Angle	25°
Cover Lens	Tempered Glass

### Candela Distribution

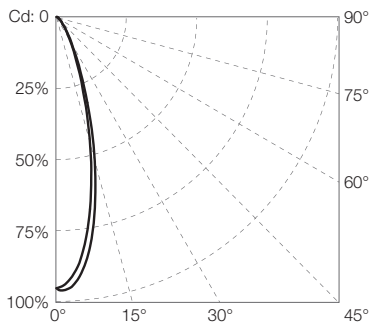
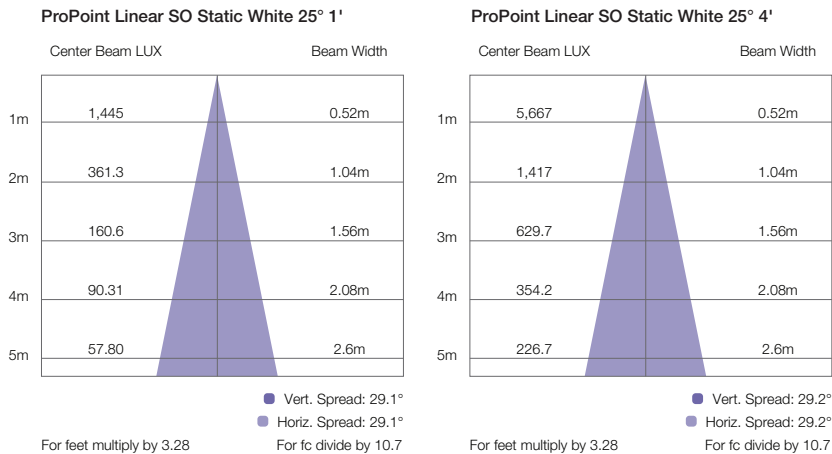


Diagram based on SO 3000K 25°

### Light Output

Color	Luminous Flux (lm)	Candela Distribution at 100%	Efficacy (lm/W)
<b>ProPoint Linear SO Static White + Color 25° 1'</b>			
3000K	545.57	1,445.68	66.53
4000K	647.52	1,716.22	78.97
<b>ProPoint Linear SO Static White + Color 25° 4'</b>			
3000K	2,182.3	5,672.27	67.56
4000K	2,741.6	7,153.11	85.14

### Illuminance at a Distance



Diagrams based on SO 3000K 25° measurements



# TRAXON

## ProPoint® Linear SO Static White + Color

## Photometrics

### Source Specifications

LED Source	5 LED / 20 LED
Beam Angle	35°
Cover Lens	Tempered Glass

### Candela Distribution

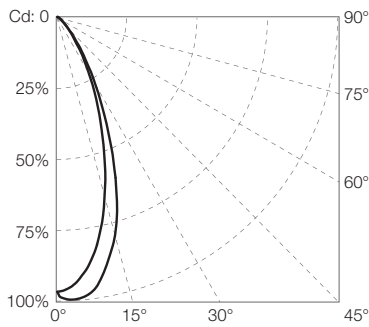
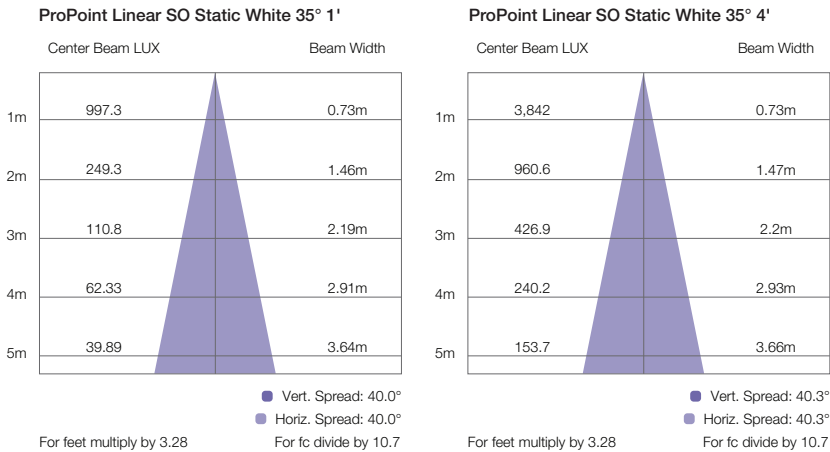


Diagram based on SO 3000K 35°

### Light Output

Color	Luminous Flux (lm)	Candela Distribution at 100%	Efficacy (lm/W)
<b>ProPoint Linear SO Static White + Color 35° 1'</b>			
3000K	578.87	998.83	70.59
4000K	686.19	1,116.5	83.68
<b>ProPoint Linear SO Static White + Color 35° 4'</b>			
3000K	2,319.3	3,865.30	72.03
4000K	2,908.3	4,785.01	90.32

### Illuminance at a Distance



Diagrams based on SO 3000K 35° measurements



# TRAXON

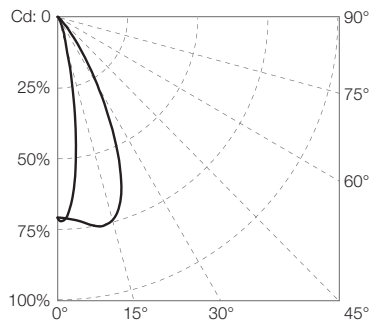
## ProPoint® Linear SO Static White + Color

## Photometrics

### Source Specifications

LED Source	5 LED / 20 LED
Beam Angle	50° x 30°
Cover Lens	Tempered Glass

### Candela Distribution

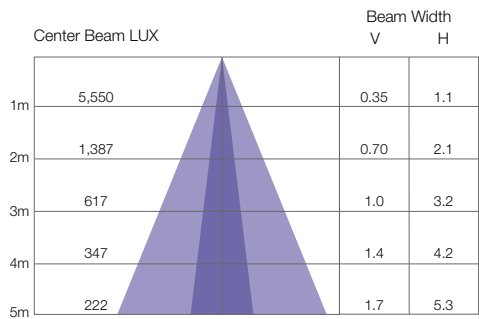


### Light Output

Color	Luminous Flux (lm)	Candela Distribution at 100%	Efficacy (lm/W)
<b>ProPoint Linear SO Static White + Color 50° x 30° 1'</b>			
3000K	545.38	1,533.72	66.51
4000K	653.97	1,894.38	79.75
<b>ProPoint Linear SO Static White + Color 50° x 30° 4'</b>			
3000K	2,090	6,044.12	64.91
4000K	2,747.5	7,770.53	85.86

### Illuminance at a Distance

#### ProPoint Linear SO Static White 50° x 30° 1'

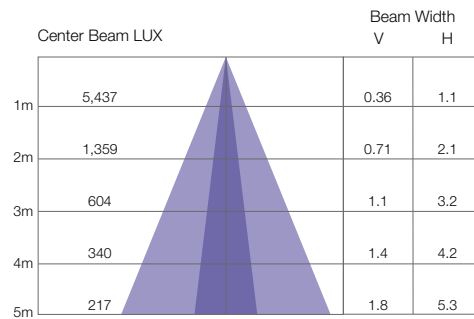


- Vert Spread: 19.8°
- Horiz Spread: 55.8°

For feet multiply by 3.28

For fc divide by 10.7

#### ProPoint Linear SO Static White 50° x 30° 4'



- Vert Spread: 20.2°
- Horiz Spread: 55.8°

For feet multiply by 3.28

For fc divide by 10.7

Diagrams based on SO 3000K 50° x 30° measurements

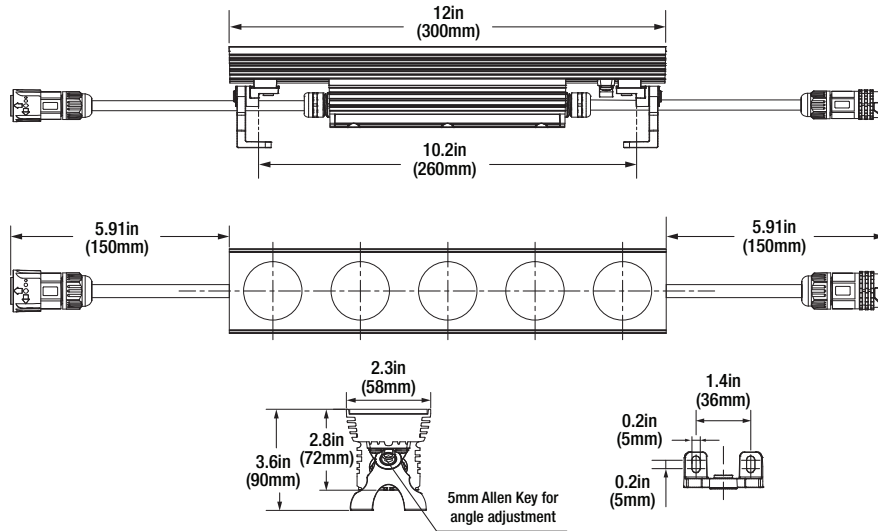


# TRAXON

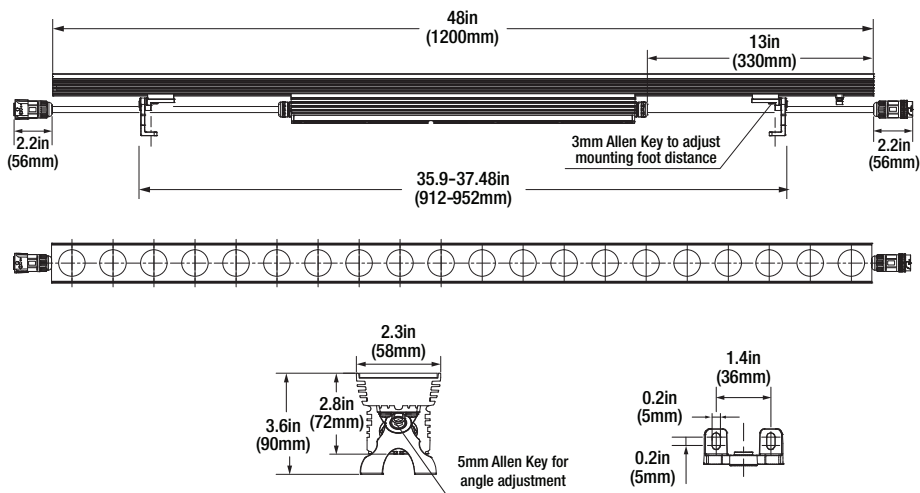
## ProPoint® Linear SO Static White + Color

## Dimensions

ProPoint Linear 1'



ProPoint Linear 4'

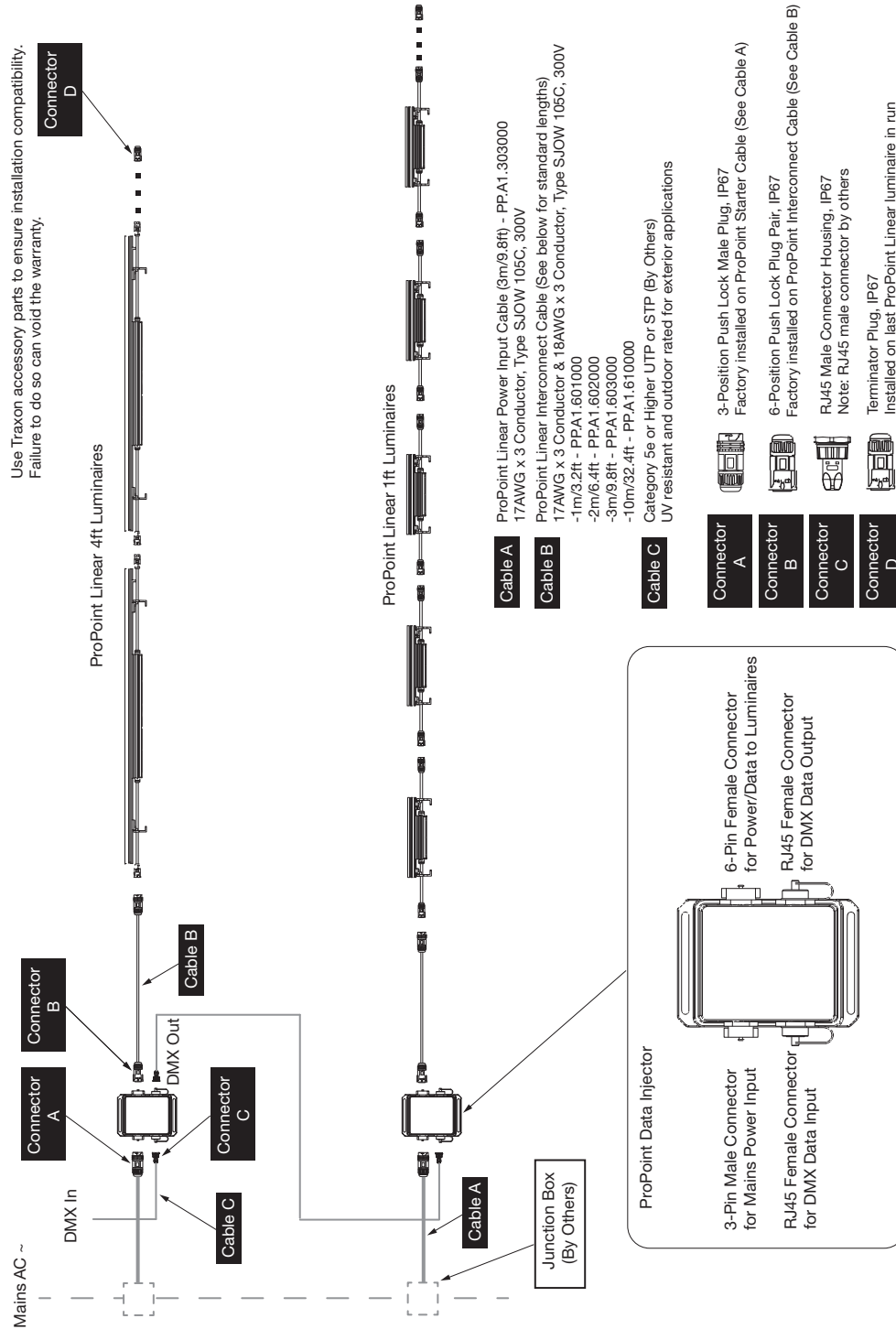




# TRAXON

## ProPoint® Linear SO Static White + Color

## System Diagram



www.traxon-ecue.com

©2023 TRAXON TECHNOLOGIES - AN OSRAM BUSINESS. ALL RIGHTS RESERVED. TRAXON™, TX CONNECT®, ARE TRADEMARKS OF TRAXON TECHNOLOGIES. U.S. PATENTS, E.U. PATENTS, JAPAN PATENTS, OTHER PATENTS PENDING. SPECIFICATIONS ARE SUBJECT TO CHANGE WITHOUT NOTICE.



# TRAXON

## ProPoint® Linear SO Static White + Color

Ordering

### Fixtures Model Number

PP	XX	9	1	X	4	X	X
ProPoint	Linear SO	Control	Color	CCT	Approbation	Optic	Finish
	L5 - 4' 32W	9: DMX	1: Static White	3: 3000K	4: cETLus	2: 15°	1: Gray
	L8 - 1' 8W			4: 4000K		3: 25°	2: Black
						4: 35°	3: White
						5: 50° x 30°	
						6: 105° x 105°	

Desired Model Number:

PP	XX	9	1		6		
----	----	---	---	--	---	--	--

### Fixtures

Model No.	Description	Item Code
PPL8.913421	ProPoint Linear SO (8W) 1' 3000K 15°	
PPL8.913431	ProPoint Linear SO (8W) 1' 3000K 25°	
PPL8.913441	ProPoint Linear SO (8W) 1' 3000K 35°	
PPL8.913451	ProPoint Linear SO (8W) 1' 3000K 50°x30°	
PPL5.913421	ProPoint Linear SO (32W) 4' 3000K 15°	
PPL5.913431	ProPoint Linear SO (32W) 4' 3000K 25°	
PPL5.913441	ProPoint Linear SO (32W) 4' 3000K 35°	
PPL5.913451	ProPoint Linear SO (32W) 4' 3000K 50°x30°	
PPL8.914421	ProPoint Linear SO (8W) 1' 4000K 15°	
PPL8.914431	ProPoint Linear SO (8W) 1' 4000K 25°	
PPL8.914441	ProPoint Linear SO (8W) 1' 4000K 35°	
PPL8.914451	ProPoint Linear SO (8W) 1' 4000K 50°x30°	
PPL5.914421	ProPoint Linear SO (32W) 4' 4000K 15°	
PPL5.914431	ProPoint Linear SO (32W) 4' 4000K 25°	
PPL5.914441	ProPoint Linear SO (32W) 4' 4000K 35°	
PPL5.914451	ProPoint Linear SO (32W) 4' 4000K 50°x30°	
PPL8.913422	ProPoint Linear SO (8W) 1' 3000K 15° BL	
PPL8.913432	ProPoint Linear SO (8W) 1' 3000K 25° BL	
PPL8.913442	ProPoint Linear SO (8W) 1' 3000K 35° BL	
PPL8.913452	ProPoint Linear SO (8W) 1' 3000K 50°x30° BL	
PPL5.913422	ProPoint Linear SO (32W) 4' 3000K 15° BL	
PPL5.913432	ProPoint Linear SO (32W) 4' 3000K 25° BL	
PPL5.913442	ProPoint Linear SO (32W) 4' 3000K 35° BL	
PPL5.913452	ProPoint Linear SO (32W) 4' 3000K 50°x30° BL	



TRAXON

www.traxon-ecue.com

©2023 TRAXON TECHNOLOGIES - AN OSRAM BUSINESS. ALL RIGHTS RESERVED. TRAXON™, TX CONNECT®, ARE TRADEMARKS OF TRAXON TECHNOLOGIES. U.S. PATENTS, E.U. PATENTS, JAPAN PATENTS, OTHER PATENTS PENDING. SPECIFICATIONS ARE SUBJECT TO CHANGE WITHOUT NOTICE.





# TRAXON

## ProPoint® Linear SO Static White + Color

Ordering

### Fixtures

Model No.	Description	Item Code
PPL8.914422	ProPoint Linear SO (8W) 1' 4000K 15° BL	
PPL8.914432	ProPoint Linear SO (8W) 1' 4000K 25° BL	
PPL8.914442	ProPoint Linear SO (8W) 1' 4000K 35° BL	
PPL8.914452	ProPoint Linear SO (8W) 1' 4000K 50°x30° BL	
PPL5.914422	ProPoint Linear SO (32W) 4' 4000K 15° BL	
PPL5.914432	ProPoint Linear SO (32W) 4' 4000K 25° BL	
PPL5.914442	ProPoint Linear SO (32W) 4' 4000K 35° BL	
PPL5.914452	ProPoint Linear SO (32W) 4' 4000K 50°x30° BL	
PPL8.913423	ProPoint Linear SO (8W) 1' 3000K 15° WT	
PPL8.913433	ProPoint Linear SO (8W) 1' 3000K 25° WT	
PPL8.913443	ProPoint Linear SO (8W) 1' 3000K 35° WT	
PPL8.913453	ProPoint Linear SO (8W) 1' 3000K 50°x30° WT	
PPL5.913423	ProPoint Linear SO (32W) 4' 3000K 15° WT	
PPL5.913433	ProPoint Linear SO (32W) 4' 3000K 25° WT	
PPL5.913443	ProPoint Linear SO (32W) 4' 3000K 35° WT	
PPL5.913453	ProPoint Linear SO (32W) 4' 3000K 50°x30° WT	
PPL8.914423	ProPoint Linear SO (8W) 1' 4000K 15° WT	
PPL8.914433	ProPoint Linear SO (8W) 1' 4000K 25° WT	
PPL8.914443	ProPoint Linear SO (8W) 1' 4000K 35° WT	
PPL8.914453	ProPoint Linear SO (8W) 1' 4000K 50°x30° WT	
PPL5.914423	ProPoint Linear SO (32W) 4' 4000K 15° WT	
PPL5.914433	ProPoint Linear SO (32W) 4' 4000K 25° WT	
PPL5.914443	ProPoint Linear SO (32W) 4' 4000K 35° WT	
PPL5.914453	ProPoint Linear SO (32W) 4' 4000K 50°x30° WT	



TRAXON

[www.traxon-ecue.com](http://www.traxon-ecue.com)

©2023 TRAXON TECHNOLOGIES - AN OSRAM BUSINESS. ALL RIGHTS RESERVED. TRAXON™, TX CONNECT®, ARE TRADEMARKS OF TRAXON TECHNOLOGIES. U.S. PATENTS, E.U. PATENTS, JAPAN PATENTS, OTHER PATENTS PENDING. SPECIFICATIONS ARE SUBJECT TO CHANGE WITHOUT NOTICE.



# TRAXON

## ProPoint® Linear SO Static White + Color

Ordering

### Accessories

Model No.	Description	Item Code
PP.AC.100001	ProPoint Data Injector Box (cETLus/CE)	AM280370055
PP.AC.100002	ProPoint Data Injector Box (cETLus/CE) BL	
PP.AC.100003	ProPoint Data Injector Box (cETLus/CE) WT	
PP.AC.600000	ProPoint Linear End Cap w/ Termination Resistor	AM280380055
PP.AC.400000	ProPoint RJ45 Field Install Connectors (pair)	AM280400055
PP.A1.303000	3m Power Input Cable (cETLus)	AM280360055
PP.A1.601000	1m ProPoint Linear Power/Data Int Cable (cETLus)	AM280310055
PP.A1.602000	2m ProPoint Linear Power/Data Int Cable (cETLus)	AM280330055
PP.A1.603000	3m ProPoint Linear Power/Data Int Cable (cETLus)	AM280340055
PP.A1.610000	10m ProPoint Linear Power/Data Int Cable (cETLus)	AM280350055
PP.LA.200011	Asymmetric Louver 1'	
PP.LA.200012	Asymmetric Louver 1' BL	
PP.LA.200013	Asymmetric Louver 1' WT	
PP.LA.200041	Asymmetric Louver 4'	
PP.LA.200042	Asymmetric Louver 4' BL	
PP.LA.200043	Asymmetric Louver 4' WT	
PP.LA.100001	Wall Mount Arm	
PP.LA.100002	Wall Mount Arm BL	
PP.LA.100003	Wall Mount Arm WT	
PP.AK.000003	ProPoint 3mm Allen Key	
PP.AK.000005	ProPoint 5mm Allen Key	



TRAXON

[www.traxon-ecue.com](http://www.traxon-ecue.com)

©2023 TRAXON TECHNOLOGIES - AN OSRAM BUSINESS. ALL RIGHTS RESERVED. TRAXON™, TX CONNECT®, ARE TRADEMARKS OF TRAXON TECHNOLOGIES. U.S. PATENTS, E.U. PATENTS, JAPAN PATENTS, OTHER PATENTS PENDING. SPECIFICATIONS ARE SUBJECT TO CHANGE WITHOUT NOTICE.