



Project: _____

Type: _____



Media Tube® HO RGBW

Media Tube® HO family is a range of versatile media border lighting system for media façade application. It comes with the variety of LED options and accessories, and also provides a standardized platform for any custom-made request such as control channels, LEDs combination and mounting accessories, etc.



48V DC

Product Specifications

| | Direct View | | | | | Diffused | | | | |
|--|---|------------------|-----------------|------------------|------------------|----------------------------|------------------|------------------|------------------|------------------|
| Pixels | 12PXL | 24PXL | 36PXL | 48PXL | 60PXL | 12PXL | 24PXL | 36PXL | 48PXL | 60PXL |
| Light Source (LEDs) | High intensity SMT RGB and White LEDs | | | | | | | | | |
| Color Range | 16.7 Million additive RGB colors; White CCT 6500K | | | | | | | | | |
| Beam Angle | 110° | | | | | 175° | | | | |
| Luminous Flux¹ | 572 lm / m | | | | | 408 lm / m | | | | |
| Efficacy¹ | 41 lm / W | | | | | 33 lm / W | | | | |
| Cover Lens | Clear Cover (PC) | | | | | Diffuser (PC) | | | | |
| LED Cluster & Pixel Pitch² | 25mm | | | | | | | | | |
| Auto-White | Algorithms enable auto control of white LED by 3-channel RGB values | | | | | | | | | |
| Housing | Aluminium housing | | | | | | | | | |
| Dimensions (W x H) | 23mm x 36mm 0.9" x 1.4" | | | | | 29mm x 54mm 1.1" x 2.1" | | | | |
| (L) | 296mm 12" | 596mm 24" | 896mm 36" | 1196mm 48" | 1496mm 60" | 296mm 12" | 596mm 24" | 896mm 36" | 1196mm 48" | 1496mm 60" |
| Weight | 0.36kg 0.8lbs | 0.58kg 1.3lbs | 0.8kg 1.8lbs | 1.02kg 2.3lbs | 1.24kg 2.7lbs | 0.4kg 0.9lbs | 0.52kg 1.2lbs | 0.84kg 1.9lbs | 1.06kg 2.3lbs | 1.28kg 2.8lbs |
| Regulatory Listing & Safety Approval | cETLus | | | | | | | | | |
| Operating Temperature | -30°C to +55°C / -22°F to +131°F | | | | | | | | | |
| Storage Temperature | -40°C to +70°C / -40°F to +158°F | | | | | | | | | |
| Environment | Outdoor, IP66, IK09, suitable for coastal environments | | | | | | | | | |
| Humidity | 0-90%, non-condensing | | | | | | | | | |

Electrical Specifications

| | | | | | | | | | | |
|------------------------------------|--------|------|-------|-------|-------|------|------|-------|-------|-------|
| Operating Voltage | 48V DC | | | | | | | | | |
| Power Consumption (Typical) | 4.6W | 8.6W | 12.5W | 16.6W | 20.9W | 4.6W | 8.6W | 12.5W | 16.6W | 20.9W |

System Specifications

| | | | | | | | | | | |
|-----------------------------|---|--|--|--|--|--|--|--|--|--|
| Power/Data Interface | TX CONNECT | | | | | | | | | |
| Control | DMX / e:pix / DVI Capable | | | | | | | | | |
| Power Supply | LED Engine 1000W 48V Indoor / LED Engine 240W 48V Outdoor / LED Engine 100W 48V Outdoor | | | | | | | | | |
| Addressing Options | Auto-Addressing | | | | | | | | | |

1. Based on photometric data and typical power consumption of Media Tube® HO RGBW 1496mm
2. Pixel pitch is configurable via ActionPad

LED CHARACTERISTICS Because LEDs are semiconductor devices, their performances are subject to inherent variability commonly found in semiconductor industry. To improve consistency in performance across the same product, LED manufacturers "sort" LEDs into bins according to different preset parameters, such as forward driving voltage, illumination, etc. Whereas binning is a sorting function, it is not a correction process. Inherent variability in the manufacturing process results always in different binning distributions according to different production lots. Traxon uses automatically binned LEDs on its products, thereby minimizing output variations within the model range.

As with all electronic devices, LED output degrades over time – a term called lumen depreciation. This also explains why it is nearly impossible to expect photometric performances of two LED products with different service life spans to be the same. The rate of LED degrade is a complicate function of many factors such as operating efficiency, duration of continuous operation, and more significantly, environmental conditions (ambient temperature for example). If allowed working under optimal operating temperature range and with good ventilation, LED devices enjoy long service lives over conventional light sources. When using/installing LED devices, care should be taken to ensure that the devices will operate within the operating conditions specified in respective product literature.



Media Tube® HO RGBW

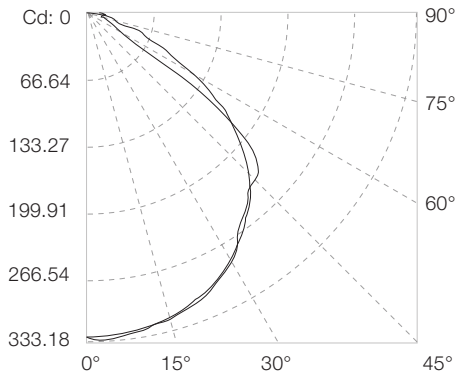
Photometrics

Source Specifications

| | |
|------------|-----------------|
| Source | 60 LED clusters |
| Optics | 110° |
| Cover Lens | Clear PC Cover |

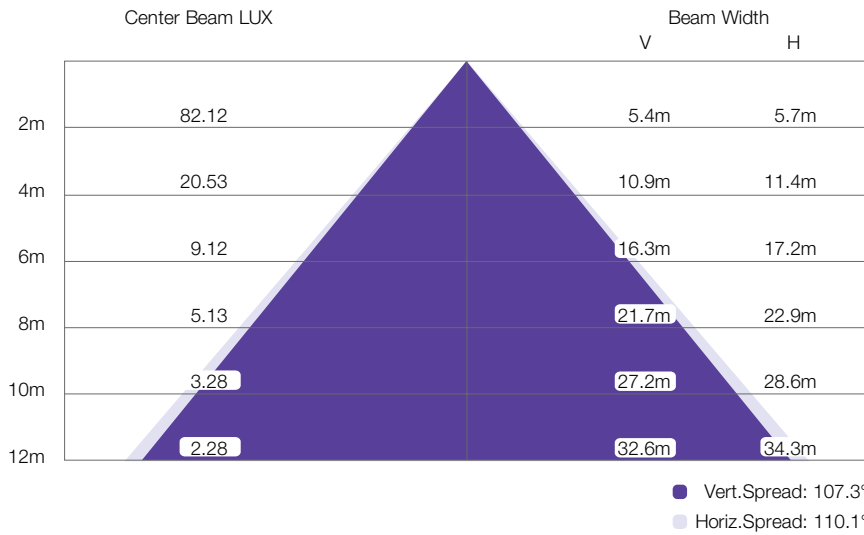
Candela Distribution

Light Output



| Color | Luminous Flux (lm) |
|---------|--------------------|
| Full ON | 859.40 |
| White | 423.30 |
| RGB | 450.10 |
| Red | 131.36 |
| Green | 294.90 |
| Blue | 34.70 |

Illuminance at a Distance



IES and LDT files are available for download from the Traxon website.



Media Tube® HO RGBW

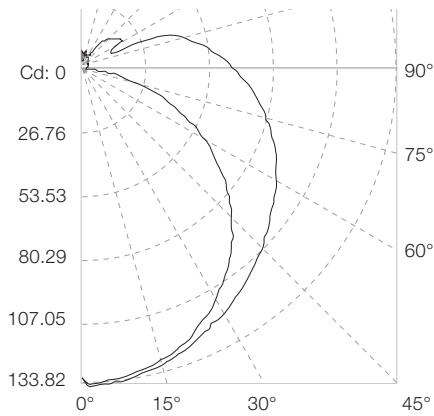
Photometrics

Source Specifications

| | |
|------------|-----------------|
| Source | 60 LED clusters |
| Optics | 175° |
| Cover Lens | PC Diffuser |

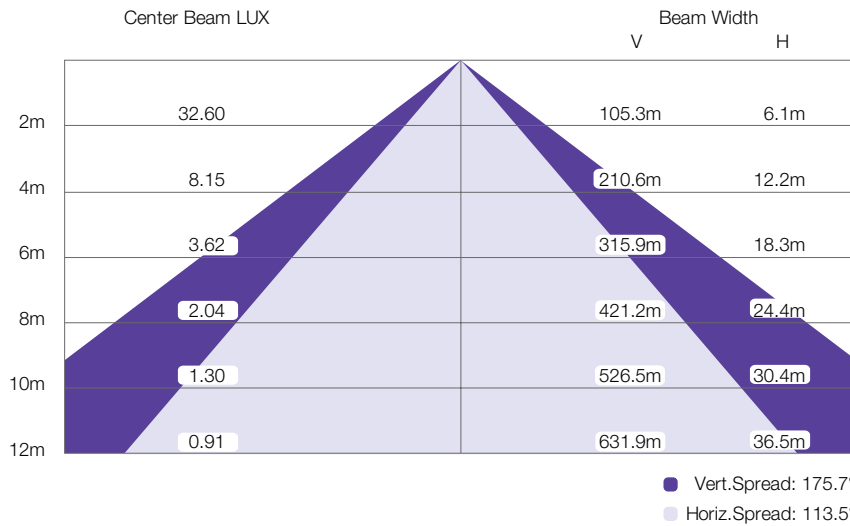
Candela Distribution

Light Output



| Color | Luminous Flux (lm) |
|---------|--------------------|
| Full ON | 611.94 |
| White | 296.84 |
| RGB | 328.75 |
| Red | 97.72 |
| Green | 214.95 |
| Blue | 26.53 |

Illuminance at a Distance



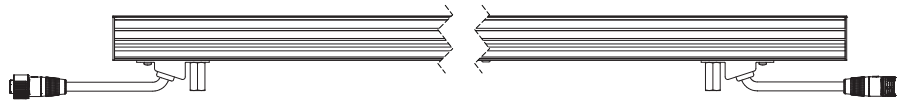
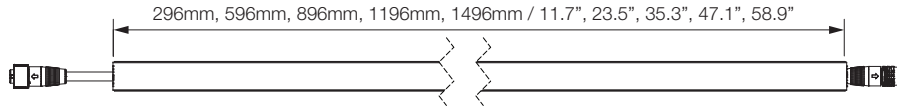
IES and LDT files are available for download from the Traxon website.



Media Tube® HO RGBW

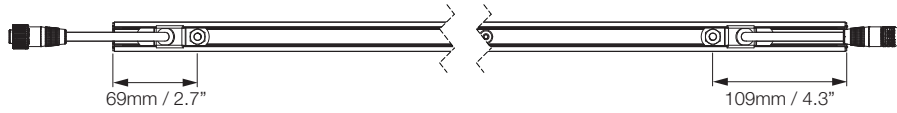
Dimensions

Media Tube® HO RGBW – Direct View

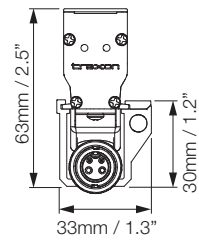
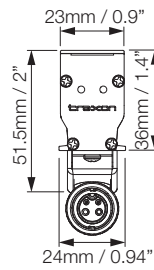
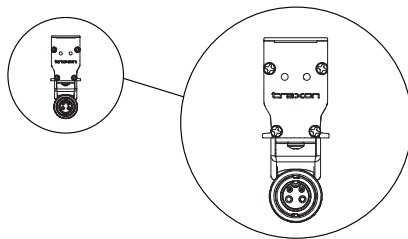
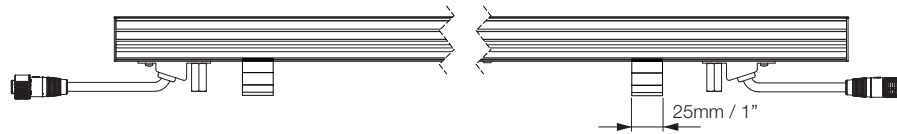


Quick Lock Input Cable

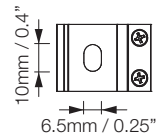
Quick Lock Output Cable



With Mounting Bracket



With Mounting Bracket

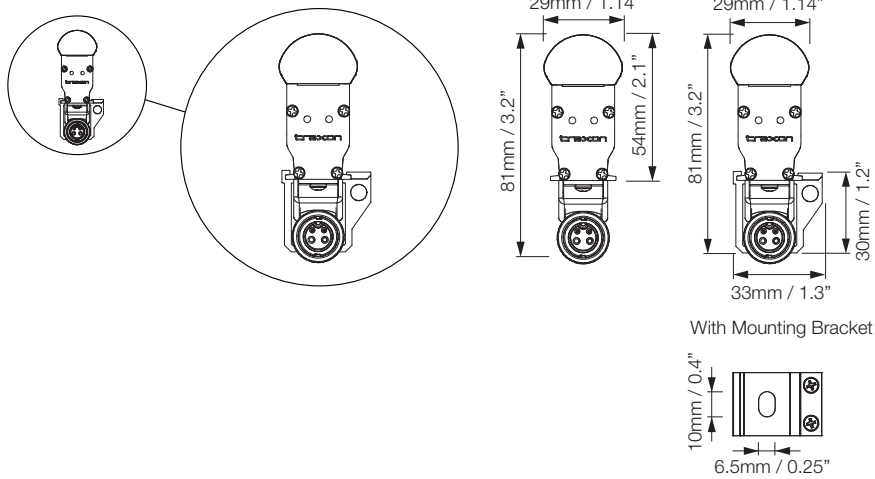
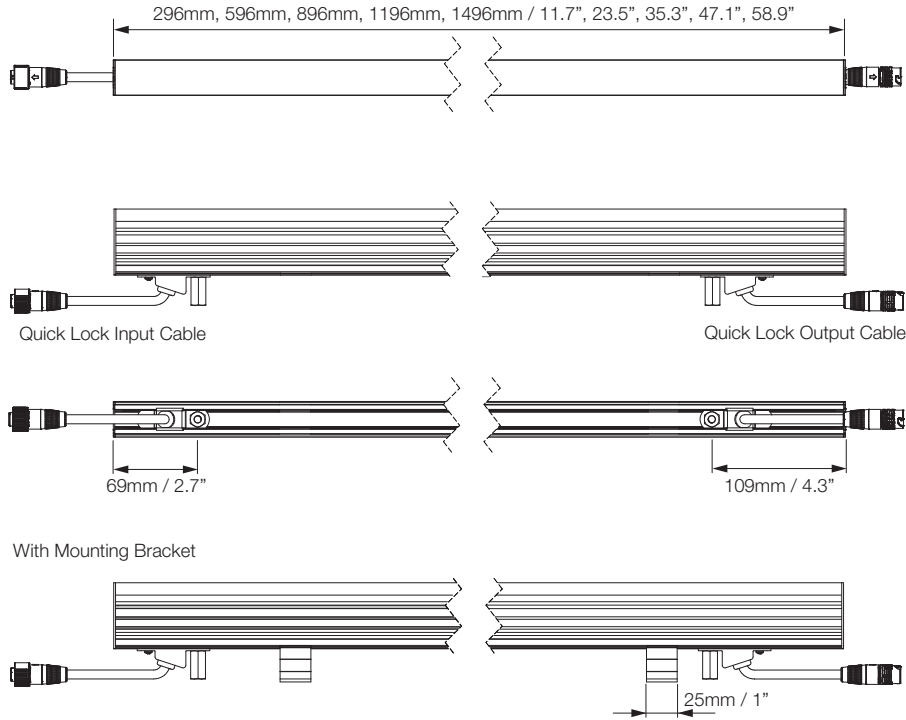




Media Tube® HO RGBW

Dimensions

Media Tube® HO RGBW – Diffused

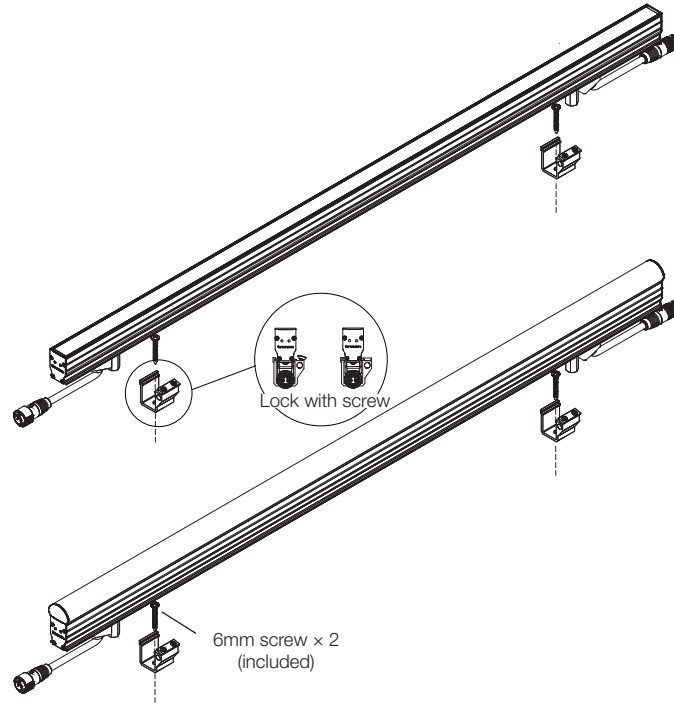




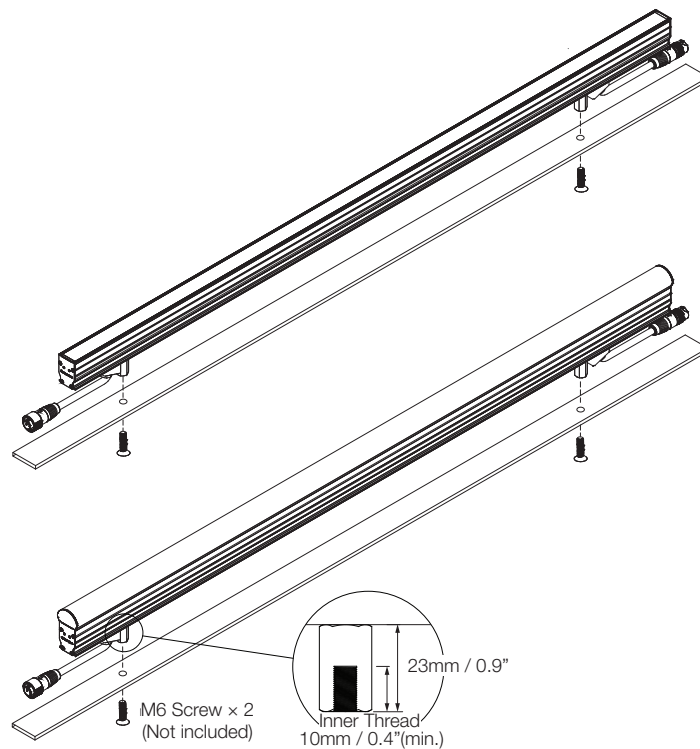
Media Tube® HO RGBW

Mounting

Mounting with Mounting Brackets



Mounting with Mounting Studs



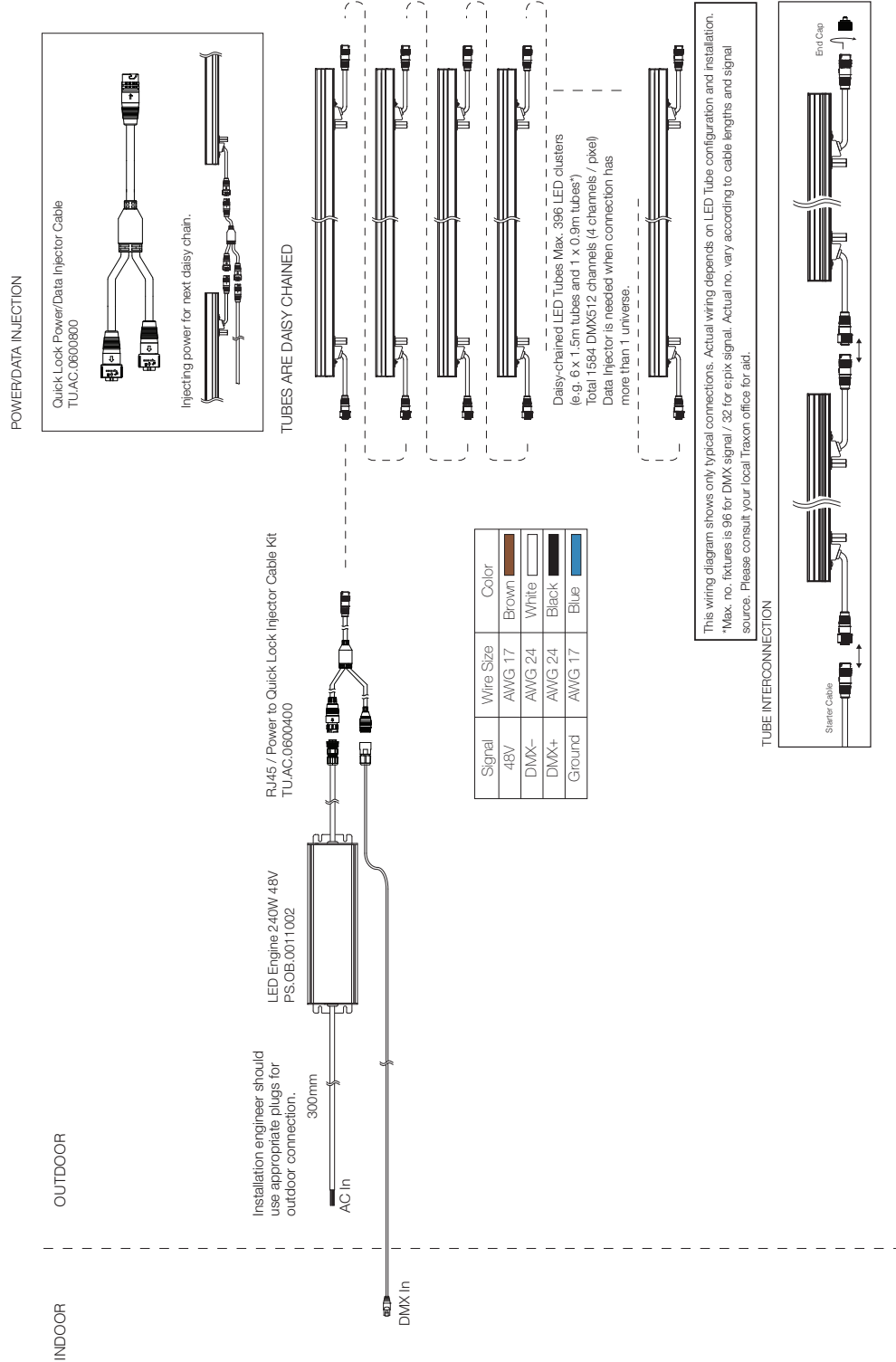


TRAXON

Media Tube® HO RGBW

System Diagram

240W PSU System Diagram



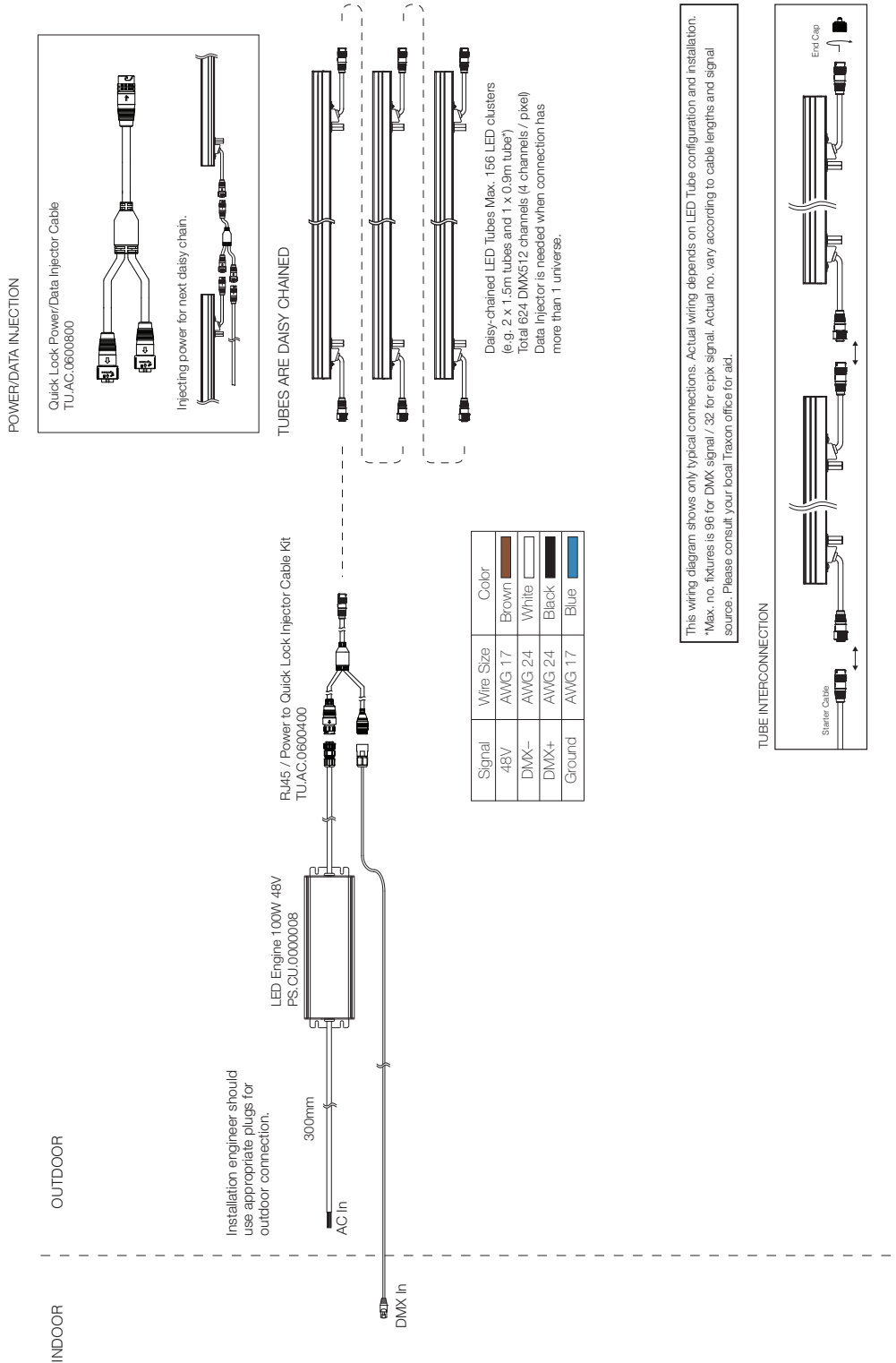


TRAXON

Media Tube® HO RGBW

System Diagram

100W PSU System Diagram



www.traxon-ecue.com



Media Tube® HO RGBW

Ordering

Model Number

| | | | | | | | | | |
|----|---|-----------------|---|----------------|---|------------------|---|---|---|
| TU | . | XX | . | N | 1 | NN | 0 | 0 | 3 |
| | | Cover Lens | | Length | | Pixels per Tube | | | |
| | | CS: Direct View | | 1: 296mm (12") | | 12: 12PXL / tube | | | |
| | | DS: Diffused | | 2: 596mm (24") | | 24: 24PXL / tube | | | |
| | | | | 3: 896mm (36") | | 36: 36PXL / tube | | | |
| | | | | 4: 1196mm(48") | | 48: 48PXL / tube | | | |
| | | | | 5: 1496mm(60") | | 60: 60PXL / tube | | | |

Fixtures

| Model No. | Description | Item Code |
|---------------|--|-------------|
| TU.CS.1112003 | MEDIA TUBE HO DIRECT 296 RGBW 12PXL | AM209190055 |
| TU.CS.2124003 | MEDIA TUBE HO DIRECT 596 RGBW 24PXL | AM209210055 |
| TU.CS.3136003 | MEDIA TUBE HO DIRECT 896 RGBW 36PXL | AM209230055 |
| TU.CS.4148003 | MEDIA TUBE HO DIRECT 1196 RGBW 48PXL | AM209250055 |
| TU.CS.5160003 | MEDIA TUBE HO DIRECT 1496 RGBW 60PXL | AM209270055 |
| TU.DS.1112003 | MEDIA TUBE HO DIFFUSED 296 RGBW 12PXL | AM209290055 |
| TU.DS.2124003 | MEDIA TUBE HO DIFFUSED 596 RGBW 24PXL | AM209310055 |
| TU.DS.3136003 | MEDIA TUBE HO DIFFUSED 896 RGBW 36PXL | AM209330055 |
| TU.DS.4148003 | MEDIA TUBE HO DIFFUSED 1196 RGBW 48PXL | AM209350055 |
| TU.DS.5160003 | MEDIA TUBE HO DIFFUSED 1496 RGBW 60PXL | AM209370055 |

Standard Accessories (Included in delivery)

| Model No. | Description | Item Code |
|-----------|---|-----------|
| N/A | 2 x Mounting Brackets, 2 x Screws, 2 x Bolts and Assortment of Nuts and Washers | N/A |

Optional Accessories

| Model No. | Description | Item Code |
|---------------|------------------------------|-------------|
| TU.AC.0600000 | Quick Lock Connector End Cap | AB452180055 |

TX Control

| Model No. | Description | Item Code |
|---------------|---|-------------|
| 160185 | Video Micro Converter (DMX/e:pix) | AA438940235 |
| 160194 | Video Micro Converter Garage (Optional) | AA623920031 |
| EN.BP.0000100 | Butler Pro DMX/RDM | AA628600035 |
| EN.BP.0000200 | Butler Pro e:pix | AA628610035 |
| EN.BX.0000001 | Butler XT2 | AA557270131 |
| 160174 | Butler XT2 Garage (Optional) | AA556660031 |
| EN.BU.0000001 | Butler S2 | AB436200031 |
| AC.BG.0000001 | Butler S2 Garage (Optional) | AA611800031 |
| EN.LC.9400000 | LCE2 fx | AA629460035 |



TRAXON

Media Tube® HO RGBW

Ordering

TX Connect

| Model No. | Description | Item Code |
|---------------|---|-------------|
| TU.AC.0600100 | Quick Lock Starter Cable (Open Wire), 5m (17AWG) | AB452190055 |
| TU.AC.0600200 | Quick Lock Starter Cable (Open Wire), 20m (17AWG) | AB452200055 |
| TU.AC.0600300 | Quick Lock Starter Cable (Open Wire), 35m (17AWG) | AB452210055 |
| TU.AC.0600400 | RJ45 / Power to Quick Lock Injector Cable Kit | AB452220055 |
| TU.AC.0600500 | Quick Lock Interconnection Cable, 0.14m | AB452230055 |
| TU.AC.0600600 | Quick Lock Interconnection Cable, 1.5m | AB452240055 |
| TU.AC.0600700 | Quick Lock Interconnection Cable, 4m | AB452250055 |
| TU.AC.0600800 | Quick Lock Power/Data Injector Cable | AB452260055 |
| TU.AC.0602000 | WAGO Terminal Block Set (7A) | AB469230035 |
| TU.AC.0602100 | 7A SB Fuse (100pcs) | AB469240055 |

TX Control

| Model No. | Description | Item Code |
|---------------|-----------------------------|-------------|
| PS.IE.0011100 | LED Engine 1000W 48V Indoor | AA5571401HA |
| N/A | LED Engine 240W 48V Outdoor | AM089330055 |
| PS.CU.0000008 | LED Engine 100W 48V Outdoor | AA766150055 |



TRAXON

www.traxon-ecue.com

©2023 TRAXON TECHNOLOGIES. ALL RIGHTS RESERVED. TRAXON™, TX CONNECT® ARE TRADEMARKS OF TRAXON TECHNOLOGIES. U.S. PATENTS, E.U. PATENTS, JAPAN PATENTS, OTHER PATENTS PENDING. SPECIFICATIONS ARE SUBJECT TO CHANGE WITHOUT NOTICE.

Product Specification

06/18 V1.3

12 of 12