



Project: _____
 Type: _____



ProPoint Kontour Narrow White

Traxon Kontour is an AC line powered exterior luminaire used to distinguish facades, walls, and architectural borders with a concentrated, even radiance. ProPoint Kontour's compact, lowprofile design is available in four lengths, two widths and is combined with a clip mounting system for efficient installation.



Product Specifications

	300mm / 12"	600mm / 24"	1200mm / 48"	2400mm / 96"
Model	Kontour Narrow			
Light Source	3000K / 4000K Standard, 2200K, 2700K, 3500K, 5000K, 6500K, Red, Green, Blue, Amber available ¹			
LED Quantity	White / color x 42pcs	White / color x 84pcs	White / color x 168pcs	White / color x 336pcs
Beam Angle	120°			
Luminous Flux (3000K)	362 lm	678 lm	1365 lm	2790 lm
(4000K)	381 lm	712 lm	1461 lm	2935 lm
Efficacy	84lm / W (3000K) 90lm / W (4000K)			
Lumen Maintenance	L70 @25°C -81,000hrs			
Cover Lens	Diffused UV stable acrylic			
Housing	Extruded Aluminum			
Housing Finish Options	Gray (RAL7015), Black (RAL9005), White (RAL9003)			
Mounting	Low Profile Mounting Brackets (x2 per length)			
Dimensions (L)	300mm / 11.8"	600mm / 23.6"	1200mm / 47.2"	2400mm / 94.5"
(W x H)	46.5mm x 59.5mm / 1.8" x 2.3"			
Weight	0.9 kg / 2 lbs.	1.3 kg / 2.9 lbs.	2.1 kg / 4.6 lbs.	3.8 kg / 8.4 lbs.
EPA (sq.ft)	Front	0.032		
	Side	0.258	0.392	0.787
	Front 45°	0.1824	0.2771	0.5564
Regulatory Listing & Safety Approval	cETLus,FCC, RoHs, ASTM B117-16, ANSI 3G, IK08			
Operating Temperature	-30°C to +55°C / -22°F to +131°F			
Storage Temperature	-40°C to +80°C / -40°F to +176°F			
Environment	Outdoor (IP66), suitable for coastal environments			
Humidity	85%, non-condensing			
Electrical Specifications				
Input Voltage	120-277Vac 50/60Hz			
Power Consumption	4W	8W	16W	32W
Power Factor	≥ 0.9			
System Specifications				
Control	DMX 512			
Power Supply	Integral			
Addressing Options	Auto-Addressed with Data Injector			
Pixel Control	Standard luminaire controlled by 12" / 300mm. Factory set to other pixel configurations on request.			

1. No MOQ required. Please consult regional sales office for pricing and lead time.

LED CHARACTERISTICS Because LEDs are semiconductor devices, their performances are subject to inherent variability commonly found in semiconductor industry. To improve consistency in performance across the same product, LED manufacturers "sort" LEDs into bins according to different preset parameters, such as forward driving voltage, illumination, etc. Whereas binning is a sorting function, it is not a correction process. Inherent variability in the manufacturing process results always in different binning distributions according to different production lots. Traxon uses automatically binned LEDs on its products, thereby minimizing output variations within the model range.

As with all electronic devices, LED output degrades over time – a term called lumen depreciation. This also explains why it is nearly impossible to expect photometric performances of two LED products with different service life spans to be the same. The rate of LED degrade is a complicate function of many factors such as operating efficiency, duration of continuous operation, and more significantly, environmental conditions (ambient temperature for example). If allowed working under optimal operating temperature range and with good ventilation, LED devices enjoy long service lives over conventional light sources. When using/installing LED devices, care should be taken to ensure that the devices will operate within the operating conditions specified in respective product literature.

Lumen measurement complies with LM-79-08 standard.
 Lumen maintenance is calculated based on LM-80 compliant measurement.



TRAXON

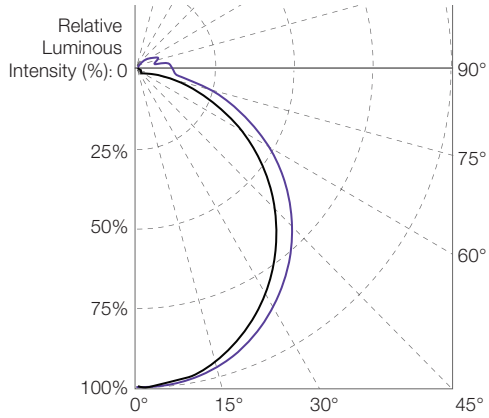
ProPoint Kontour Narrow White

Photometrics

Source Specifications

Optics 120°

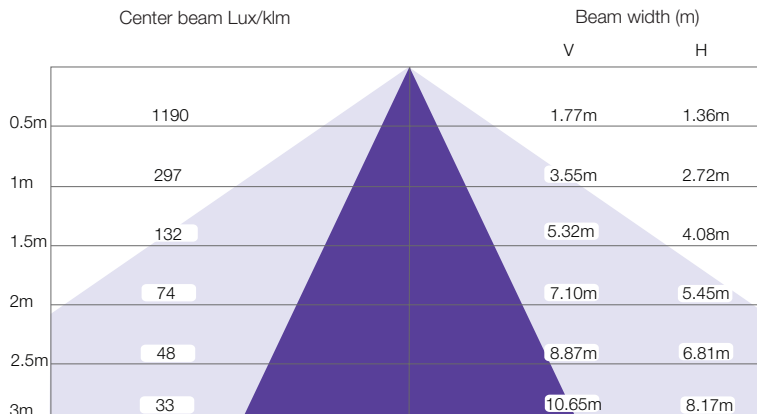
Candela Distribution



Light Output

Color	Luminous Flux (lm)	Efficacy (lm/W)
300mm / 12"		
3000K	362.5	83.8
4000K	381.03	88.1
600mm / 24"		
3000K	678.67	83.6
4000K	712.15	88.6
1200mm / 48"		
3000K	1365	84.8
4000K	1461	88.8
2400mm / 96"		
3000K	2790.29	85.3
4000K	2935.1	89.2

Illuminance at a Distance



● Vert. Spread: 107.4°
● Horiz. Spread: 121.2°

For fc divide by 10.7

For feet multiply by 3.28

IES and LDT files are available for download from the Traxon website.



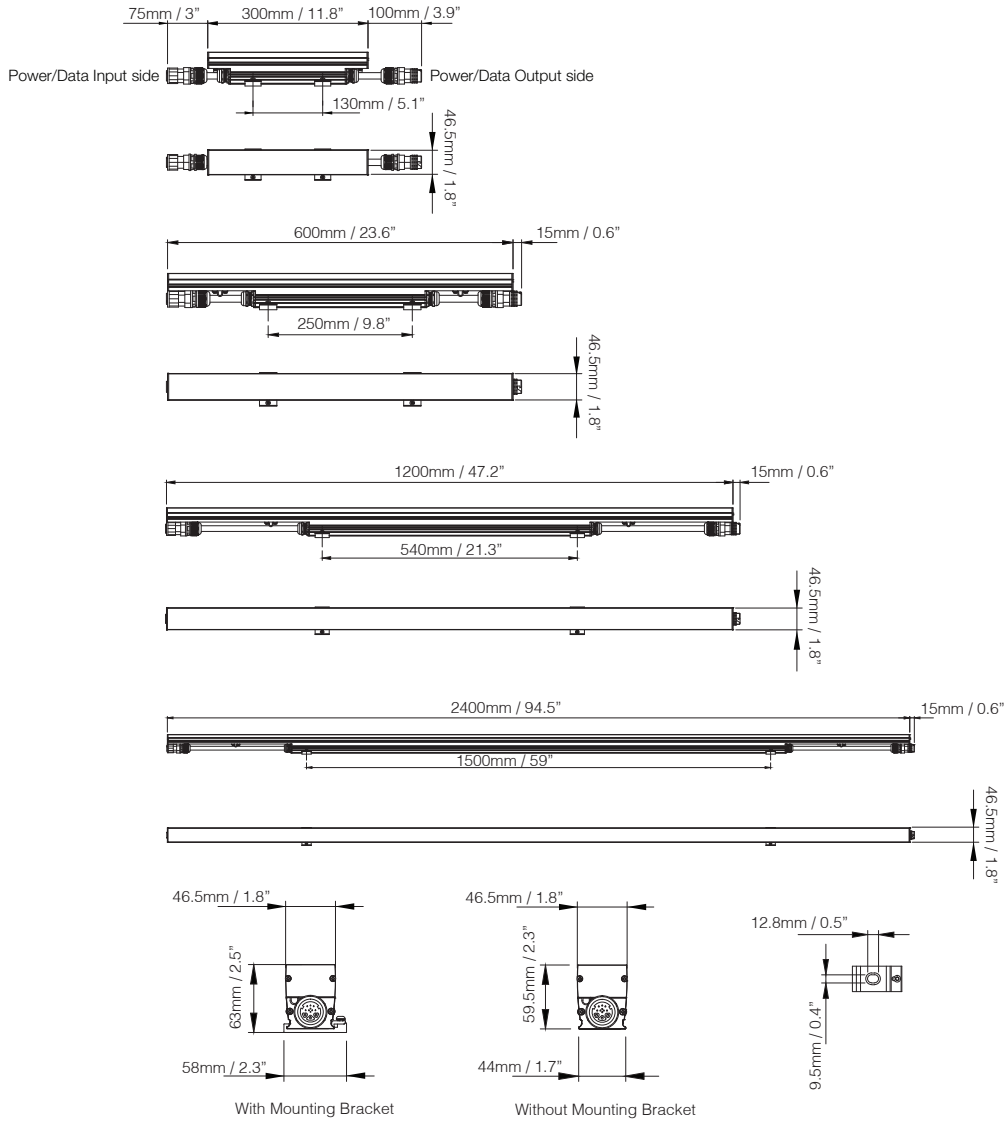
www.traxon-ecue.com

©2023 TRAXON TECHNOLOGIES. ALL RIGHTS RESERVED. TRAXON™, TX CONNECT®, ARE TRADEMARKS OF TRAXON TECHNOLOGIES. U.S. PATENTS, E.U. PATENTS, JAPAN PATENTS, OTHER PATENTS PENDING. SPECIFICATIONS ARE SUBJECT TO CHANGE WITHOUT NOTICE.



ProPoint Kontour Narrow White

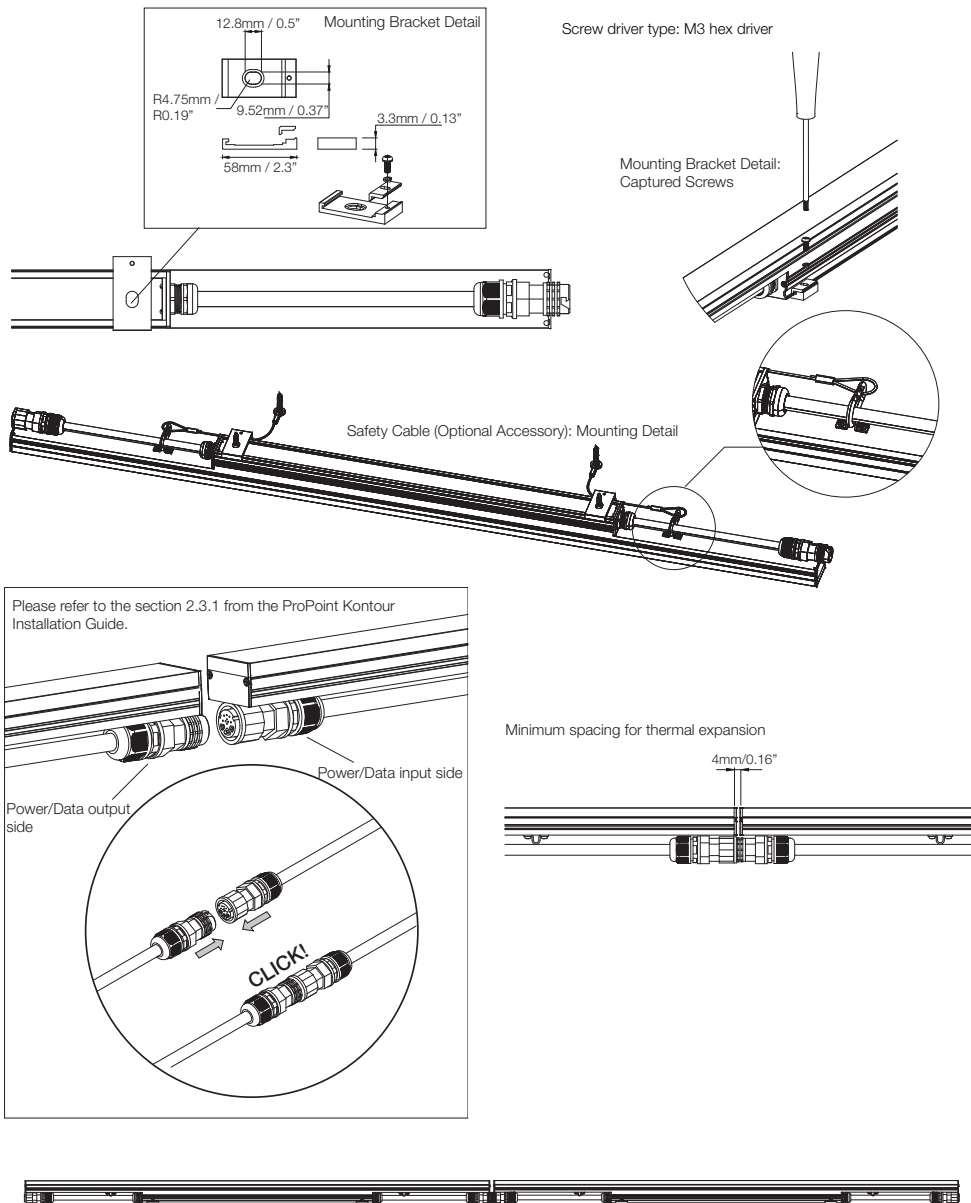
Dimensions

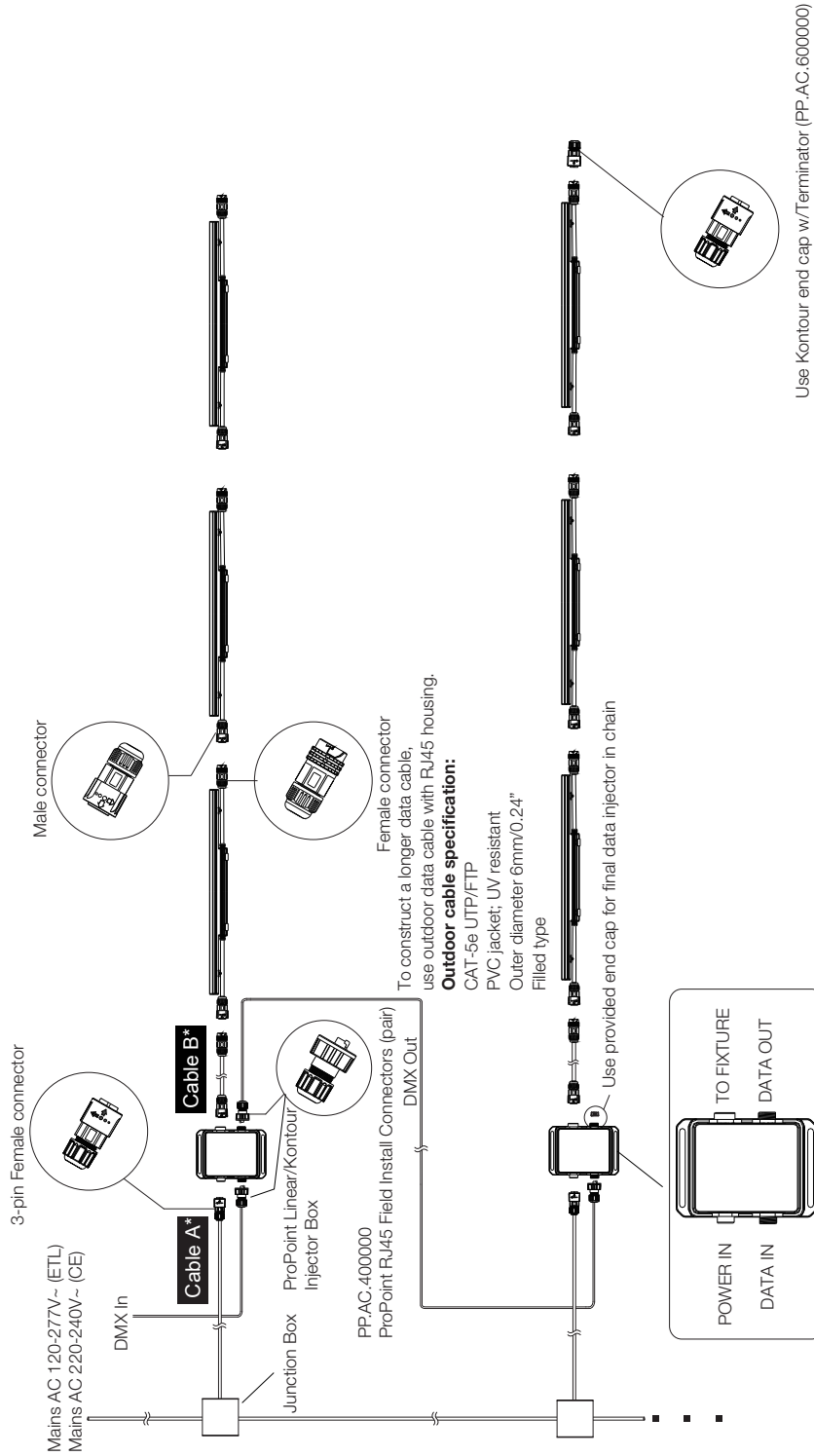




ProPoint Kontour Narrow White

Mounting





1. All ordering information of accessories can be referred to next page.
 2. All interconnection information can be referred to next page.
- * Cable A, Cable B: Please refer to System Diagram Accessories table for options.



ProPoint Kontour Narrow White

System Diagram

Wiring Information Details

ProPoint Kontour Narrow -ETL

120V

Model	Power Consumption (Typ.)	Input Voltage	Max Connected Chain
300mm / 12"	4W	120V	432
600mm / 24"	8W	120V	216
1200mm / 48"	16W	120V	108
2400mm / 96"	32W	120V	54

220V-240V

Model	Power Consumption (Typ.)	Input Voltage	Max Connected Chain
300mm / 12"	4W	220-240V	512
600mm / 24"	8W	220-240V	400
1200mm / 48"	16W	220-240V	200
2400mm / 96"	32W	220-240V	100

277V

Model	Power Consumption (Typ.)	Input Voltage	Max Connected Chain
300mm / 12"	4W	277V	512
600mm / 24"	8W	277V	500
1200mm / 48"	16W	277V	250
2400mm / 96"	32W	277V	125

Accessories (ETL / CE)

Model No.	Description	Item Code
PP.AC.100001	PROPOINT LINEAR/KONTOUR INJECTOR BOX	AM374890055
PP.AC.100002	PROPOINT LINEAR/KONTOUR INJECTOR BOX BL	AM374900055
PP.AC.100003	PROPOINT LINEAR/KONTOUR INJECTOR BOX WT	AM374910055
PP.AC.600000	PP LIN/KON END CAP W/ TERM.	AM380550055
PP.AC.400000	PROPOINT RJ45 FIELD INSTALL CONNECTORS (PAIR)	AM380560055

Accessories (ETL)

Cable Type	Model No.	Description	Item Code
Cable A*	PP. A1.303000	3M PP LINEAR POWER INPUT CABLE ETL	AM374840155
Cable B*	KO.KA.610000	10M KONTOUR PWR/DATA INT CBL ETL	AM357520055
Cable B*	KO.KA.601000	1M KONTOUR PWR/DATA INT CBL ETL	AM357490055
Cable B*	KO.KA.602000	2M KONTOUR PWR/DATA INT CBL ETL	AM357500055
Cable B*	KO.KA.603000	3M KONTOUR PWR/DATA INT CBL ETL	AM357510055

* All cables come pre-wired with male / female connectors.



ProPoint Kontour Narrow White

Ordering

Model Number

KXX	.	2	.	9	1	X	.	4	1	.	X	.	XX
Kontour Length	Width	Control	Color	CCT	Approbation	Lens	Finish	Pixel Config					
K1L: 1'	2: 46.5mm/1.8"	9: DMX	1: SW	3: 3000K	4: cETLus	1: Diffused Lens	1: Gray	01: 1PXL					
K2L: 2'				4: 4000K			2: Black	02: 2PXL					
K4L: 4'							3: White	04: 4PXL					
K8L: 8'								08: 8PXL					

*Abbreviations in Description

WD: Wide NW: Narrow F: Flat BL: Black WT: White

Fixtures

Model No.	Description	Item Code
K1L.2.913411.01	PROPOINT KONTOUR F 12" NW 3000K 1PXL ETL	AM394030055
K2L.2.913411.01	PROPOINT KONTOUR F 24" NW 3000K 1PXL ETL	AM394150055
K2L.2.913411.02	PROPOINT KONTOUR F 24" NW 3000K 2PXL ETL	AM394300055
K4L.2.913411.01	PROPOINT KONTOUR F 48" NW 3000K 1PXL ETL	AM394930055
K4L.2.913411.04	PROPOINT KONTOUR F 48" NW 3000K 4PXL ETL	AM394420055
K8L.2.913411.01	PROPOINT KONTOUR F 96" NW 3000K 1PXL ETL	AM395050055
K8L.2.913411.08	PROPOINT KONTOUR F 96" NW 3000K 8PXL ETL	AM395170055
K1L.2.914411.01	PROPOINT KONTOUR F 12" NW 4000K 1PXL ETL	AM394040055
K2L.2.914411.01	PROPOINT KONTOUR F 24" NW 4000K 1PXL ETL	AM394160055
K2L.2.914411.02	PROPOINT KONTOUR F 24" NW 4000K 2PXL ETL	AM394310055
K4L.2.914411.01	PROPOINT KONTOUR F 48" NW 4000K 1PXL ETL	AM394940055
K4L.2.914411.04	PROPOINT KONTOUR F 48" NW 4000K 4PXL ETL	AM394430055
K8L.2.914411.01	PROPOINT KONTOUR F 96" NW 4000K 1PXL ETL	AM395060055
K8L.2.914411.08	PROPOINT KONTOUR F 96" NW 4000K 8PXL ETL	AM395180055
K1L.2.913412.01	PROPOINT KONTOUR F 12" NW 3000K 1PXL BL ETL	AM394070055
K2L.2.913412.01	PROPOINT KONTOUR F 24" NW 3000K 1PXL BL ETL	AM394190055
K2L.2.913412.02	PROPOINT KONTOUR F 24" NW 3000K 2PXL BL ETL	AM394340055
K4L.2.913412.01	PROPOINT KONTOUR F 48" NW 3000K 1PXL BL ETL	AM394970055
K4L.2.913412.04	PROPOINT KONTOUR F 48" NW 3000K 4PXL BL ETL	AM394470055
K8L.2.913412.01	PROPOINT KONTOUR F 96" NW 3000K 1PXL BL ETL	AM395090055
K8L.2.913412.08	PROPOINT KONTOUR F 96" NW 3000K 8PXL BL ETL	AM395210055
K1L.2.914412.01	PROPOINT KONTOUR F 12" NW 4000K 1PXL BL ETL	AM394080055
K2L.2.914412.01	PROPOINT KONTOUR F 24" NW 4000K 1PXL BL ETL	AM394200055
K2L.2.914412.02	PROPOINT KONTOUR F 24" NW 4000K 2PXL BL ETL	AM394350055
K4L.2.914412.01	PROPOINT KONTOUR F 48" NW 4000K 1PXL BL ETL	AM394980055
K4L.2.914412.04	PROPOINT KONTOUR F 48" NW 4000K 4PXL BL ETL	AM394480055
K8L.2.914412.01	PROPOINT KONTOUR F 96" NW 4000K 1PXL BL ETL	AM395100055
K8L.2.914412.08	PROPOINT KONTOUR F 96" NW 4000K 8PXL BL ETL	AM395220055



ProPoint Kontour Narrow White

Ordering

Fixtures

Model No.	Description	Item Code
K1L.2.913413.01	PROPOINT KONTOUR F 12" NW 3000K 1PXL WT ETL	AM394110055
K2L.2.913413.01	PROPOINT KONTOUR F 24" NW 3000K 1PXL WT ETL	AM394230055
K2L.2.913413.02	PROPOINT KONTOUR F 24" NW 3000K 2PXL WT ETL	AM394380055
K4L.2.913413.01	PROPOINT KONTOUR F 48" NW 3000K 1PXL WT ETL	AM395010055
K4L.2.913413.04	PROPOINT KONTOUR F 48" NW 3000K 4PXL WT ETL	AM394510055
K8L.2.913413.01	PROPOINT KONTOUR F 96" NW 3000K 1PXL WT ETL	AM395130055
K8L.2.913413.08	PROPOINT KONTOUR F 96" NW 3000K 8PXL WT ETL	AM395250055
K1L.2.914413.01	PROPOINT KONTOUR F 12" NW 4000K 1PXL WT ETL	AM394120055
K2L.2.914413.01	PROPOINT KONTOUR F 24" NW 4000K 1PXL WT ETL	AM394240055
K2L.2.914413.02	PROPOINT KONTOUR F 24" NW 4000K 2PXL WT ETL	AM394390055
K4L.2.914413.01	PROPOINT KONTOUR F 48" NW 4000K 1PXL WT ETL	AM395020055
K4L.2.914413.04	PROPOINT KONTOUR F 48" NW 4000K 4PXL WT ETL	AM394520055
K8L.2.914413.01	PROPOINT KONTOUR F 96" NW 4000K 1PXL WT ETL	AM395140055
K8L.2.914413.08	PROPOINT KONTOUR F 96" NW 4000K 8PXL WT ETL	AM395260055

Accessories (ETL / CE)

Model No.	Description	Item Code
PP.AC.100001	PROPOINT LINEAR/KONTOUR INJECTOR BOX	AM374890055
PP.AC.100002	PROPOINT LINEAR/KONTOUR INJECTOR BOX BL	AM374900055
PP.AC.100003	PROPOINT LINEAR/KONTOUR INJECTOR BOX WT	AM374910055
PP.AC.600000	PP LIN/KON END CAP W/ TERM.	AM380550055
PP.AC.400000	PROPOINT RJ45 FIELD INSTALL CONNECTORS (PAIR)	AM380560055

Accessories (ETL)

Model No.	Description	Item Code
PP.A1.303000	3M PP LINEAR POWER INPUT CABLE ETL	AM374840155
KO.KA.610000	10M KONTOUR PWR/DATA INT CBL ETL	AM357520055
KO.KA.601000	1M KONTOUR PWR/DATA INT CBL ETL	AM357490055
KO.KA.602000	2M KONTOUR PWR/DATA INT CBL ETL	AM357500055
KO.KA.603000	3M KONTOUR PWR/DATA INT CBL ETL	AM357510055

Accessories (Optional)

Model No.	Description	Item Code
KO.AA.900010	KONTOUR SAFETY CABLE 0.25M (10")	AM403000055