



# TRAXON

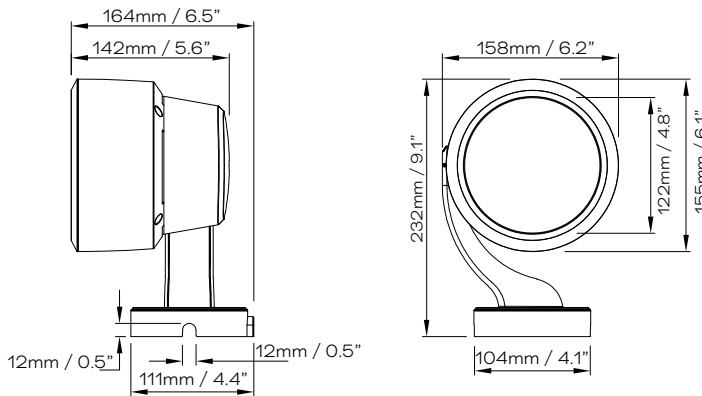
## Washer Pro Micro DC RGBW



The Washer Pro Micro DC is part of a new, industry leading Wall Washer family of products producing high brightness, and high color saturation out of an extremely small form. Controlled via DMX512, with RDM, and paired with Traxon's DynaMood® technologies, the Traxon Washer Pro enables a selection of algorithms to define the lighting, and set the emotions of your lighting project.

This product is intended for use in high-quality colored light applications.

### Dimensions



# TRAXON Pro\*

Project: \_\_\_\_\_

Type: \_\_\_\_\_



IP66



COAST



DMX 512



ANSI 3G



IK08

### Technologies

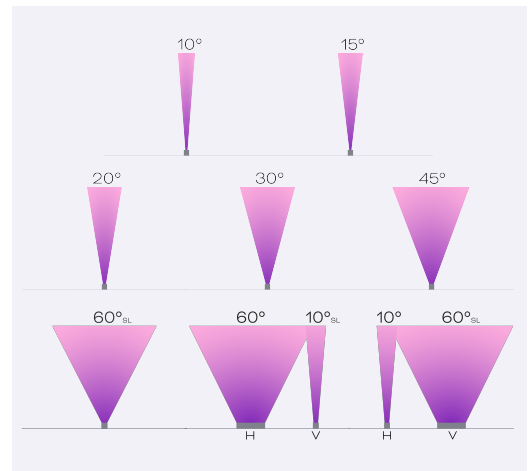
- RDM enabled



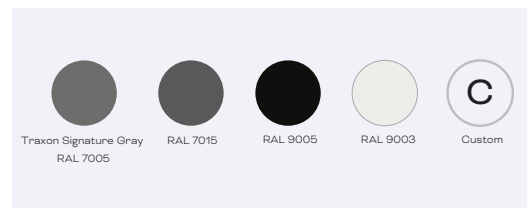
### Color Options



### Beam Angles



### Finish



### Product Specifications

Model	Washer Pro Micro DC RGBW
Light Source	4-in-1 LED x 3
Color Range	RGBW (W=6500K)
LED Quantity	RGBW 4-in-1 LED 3pcs
Luminous Flux	1635 lm (full on 10°)
Candela	34943 cd (full on 10°)
Efficacy	52 lm/W (full on 10°)
CRI	≥80
Beam Angles <sup>1</sup>	10°, 15°, 20°, 30°, 45° native 60°, 60° x 10° (or 10° x 60°) achieved with spread lens
Cover Lens	Tempered Glass
Housing	Die Cast Aluminum
Housing Finish Options <sup>2</sup>	Standard color: Traxon Signature Gray (RAL7005) Optional color: Gray (RAL7015), Black (RAL9005), White (RAL9003), Custom
Adjustment Options	-5° to + 95°
Mounting	Mounting via Yoke arm. Optional mounting accessories are available
Dimensions (W x D x H)	158mm / 6.2" x 164mm / 6.5" x 232mm / 9.1"
Weight	2.26kg / 5lbs
EPA	Front: 0.32 sq.ft Side: 0.31 sq.ft
Regulatory Listing & Safety Approval	CE, UKCA, cETLus, FCC, ANSI C136.31-3G
Operating Temperature	-30°C to +55°C (-22°F to +131°F)
Minimum Starting Temperature	-20°C (-4°F)
Storage Temperature	-40°C to +80°C (-40°F to +176°F)
Environment	Outdoor, IP66, IK08, Coastal Environment (ASTM B117-16)
Humidity	85%, non-condensing

### Electrical Specifications

Input Voltage	24V DC
Power Consumption <sup>3</sup>	30 W
Lumen Maintenance	L70 81000hrs @ 25°C

### System Specifications

Power	CE market: LED Engine 24V ETL market: LED Engine 24V (Class 2)
Control	DMX 512, RDM Enabled Dynamood Personalities: White balance mode (Default), Equal current mode, 16-bit, RGB, Color balance mode
Power Supply	Integrated
Maximum number of daisy chain fixture per input power line	3PCS@24V DC (ETL) with Class 2 PSU 6PCS@24V DC (CE)

<sup>1</sup> Spread lens assembled on 10° fixture.

<sup>2</sup> Custom RAL Housing available by request. MOQ and additional costs may apply. Consult with your regional Traxon Office for more information.

<sup>3</sup> The power can be set in the factory to achieve a fixed maximum power output to match project specifications and environmental targets (Washer Pro Micro: 15W-30W).

**LED CHARACTERISTICS** Because LEDs are semiconductor devices, their performances are subject to inherent variability commonly found in semiconductor industry. To improve consistency in performance across the same product, LED manufacturers "sort" LEDs into bins according to different preset parameters, such as forward driving voltage, illumination, etc. Whereas binning is a sorting function, it is not a correction process. Inherent variability in the manufacturing process results always in different binning distributions according to different production lots. Traxon uses automatically binned LEDs on its products, thereby minimizing output variations within the model range.

As with all electronic devices, LED output degrades over time – a term called lumen depreciation. This also explains why it is nearly impossible to expect photometric performances of two LED products with different service life spans to be the same. The rate of LED degrade is a complicated function of many factors such as operating efficiency, duration of continuous operation, and more significantly, environmental conditions (ambient temperature for example). If allowed working under optimal operating temperature range and with good ventilation, LED devices enjoy long service lives over conventional light sources. When using/installing LED devices, care should be taken to ensure that the devices will operate within the operating conditions specified in respective product literature.

This product contains a light source of energy efficiency class G to Regulation (EU) No 2019/2015.

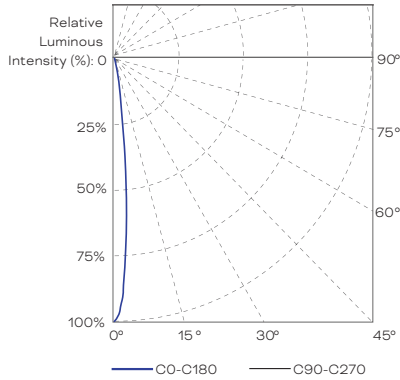
Lumen measurement complies with LM-79-08 standard.

Lumen maintenance is calculated based on LM-80 compliant measurement.

### Source Specifications

Source	RGBW 4-in-1 LED × 3
Optics	10°

### Candela Distribution



### Light Output

Color	Luminous Flux (lm)	Center Intensity (cd)	Efficacy (lm/W)
RGBW (full-on)	1635	34943	52
RGB	924	19757	48
Red	286	6113	35
Green	665	14225	80
Blue	21	447	4
White	829	17730	64

Luminaire setting: White-balance mode.

### Illuminance at a Distance

Distance	Center Beam LUX/klm	Beam Width	Beam Diameter
5m	846	0.91m / 3'	16.4'
10m	212	1.82m / 6'	32.8'
15m	94	2.73m / 9'	49.2'
20m	53	3.64m / 11.9'	65.6'
25m	34	4.55m / 14.9'	82'
30m	24	5.46m / 17.9'	98.4'

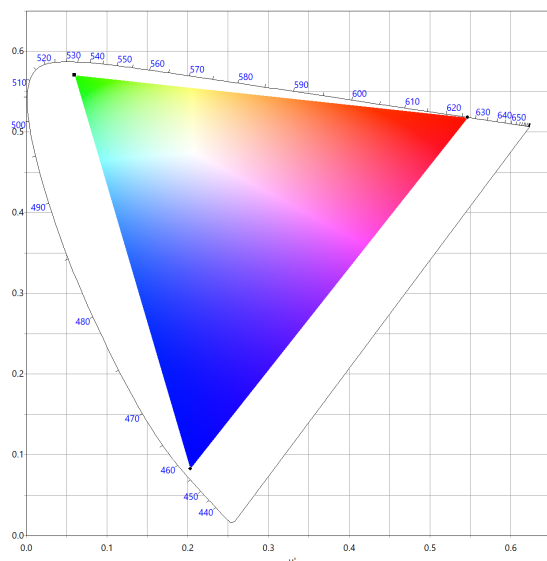
For fc divide by 10.7

■ Horiz. Spread: 10.4°

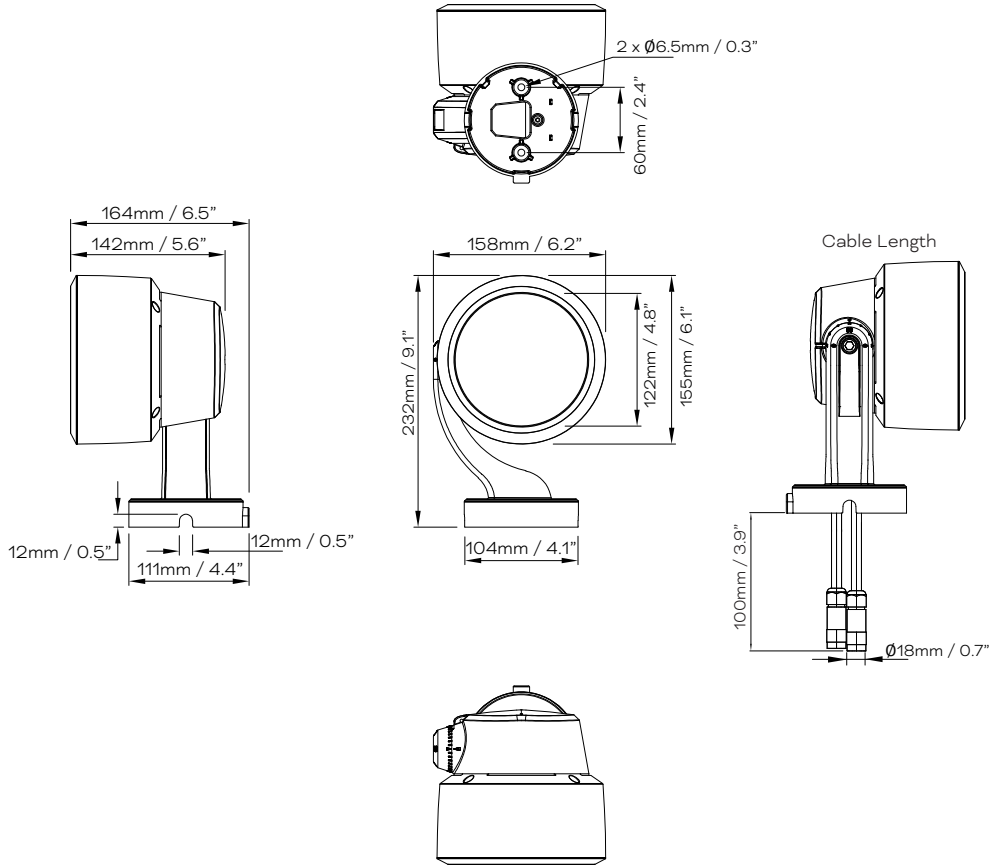
IES and LDT files are available for download from the Traxon website.

Color	Distance	Illuminance	
		LUX	FC
RGBW (full-on)	5m / 16.4'	1383	129
	10m / 32.8'	347	32
	15m / 49.2'	154	14
	20m / 65.6'	87	8
	25m / 82'	56	5
	30m / 98.4'	39	4
RGB	5m / 16.4'	782	73
	10m / 32.8'	196	18
	15m / 49.2'	87	8
	20m / 65.6'	49	5
	25m / 82'	31	3
	30m / 98.4'	22	2
Red	5m / 16.4'	242	23
	10m / 32.8'	61	6
	15m / 49.2'	27	3
	20m / 65.6'	15	1
	25m / 82'	10	0.9
	30m / 98.4'	7	0.7
Green	5m / 16.4'	563	53
	10m / 32.8'	141	13
	15m / 49.2'	63	6
	20m / 65.6'	35	3
	25m / 82'	23	2
	30m / 98.4'	16	1
Blue	5m / 16.4'	18	2
	10m / 32.8'	4	0.4
	15m / 49.2'	2	0.2
	20m / 65.6'	1	0.1
	25m / 82'	0.7	0.07
	30m / 98.4'	0.5	0.05
White	5m / 16.4'	701	66
	10m / 32.8'	176	16
	15m / 49.2'	78	7
	20m / 65.6'	44	4
	25m / 82'	28	3
	30m / 98.4'	20	2

### RGBW Gamut and Range



#### Fixture Dimensions

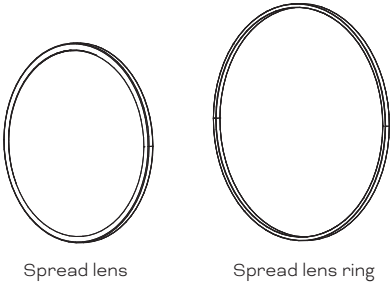


### Optical Accessories

#### Spread Lens Kit

Washer Pro Spread Lens Kit 60° Micro (WP.SM.203000)

Washer Pro Spread Lens Kit 60x10° Micro (WP.SM.204000)



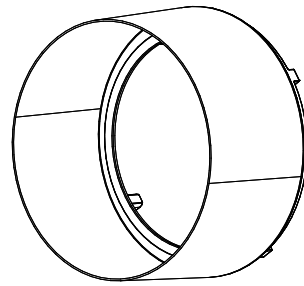
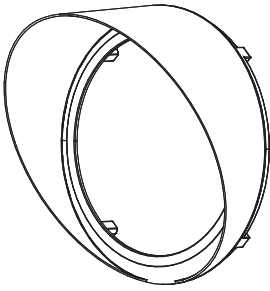
Spread lens

Spread lens ring

#### Glare Shield

Washer Pro Glare Shield Angled Kit Micro (WP.AG.200000)

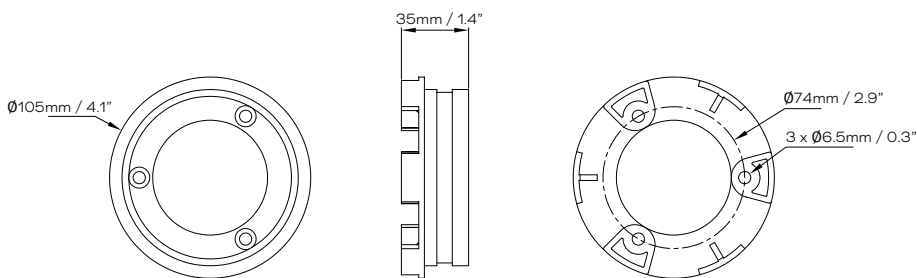
Washer Pro Glare Shield Full Kit Micro (WP.FG.200000)



### Mounting Accessories

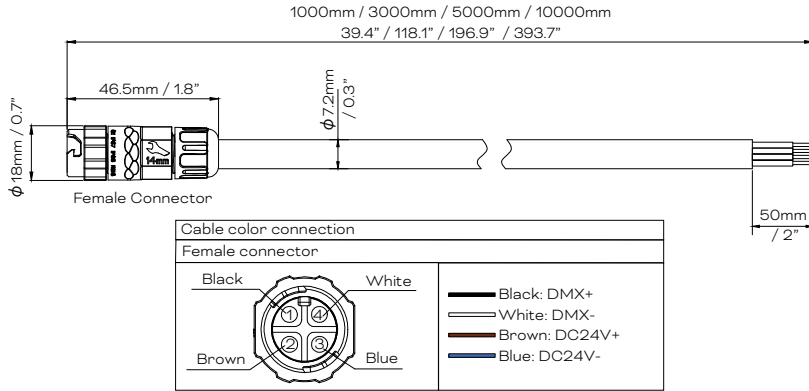
#### Rotatable Mount Plate

Washer Pro Rotatable Mount Plate Micro (WP.RP.200000)

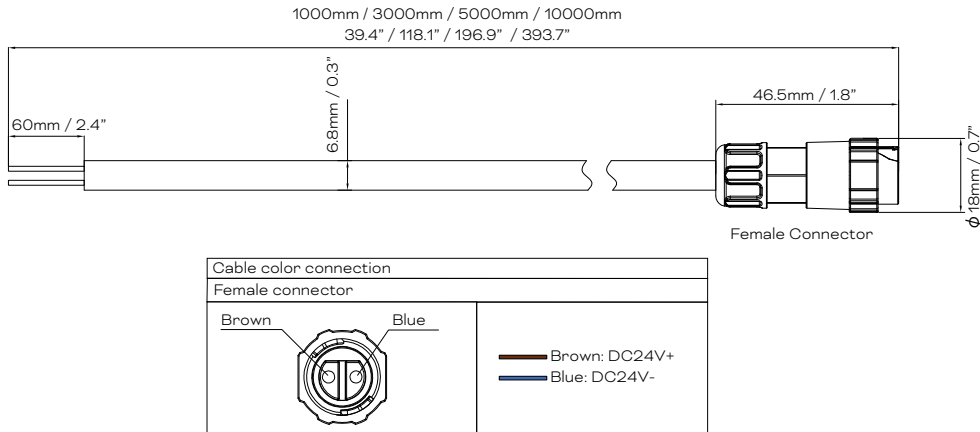


### Connection Accessories

Starter Cable CC DC (CE & ETL) (CA.SC.CC101000 / CA.SC.CC103000 / CA.SC.CC105000 / CA.SC.CC110000)

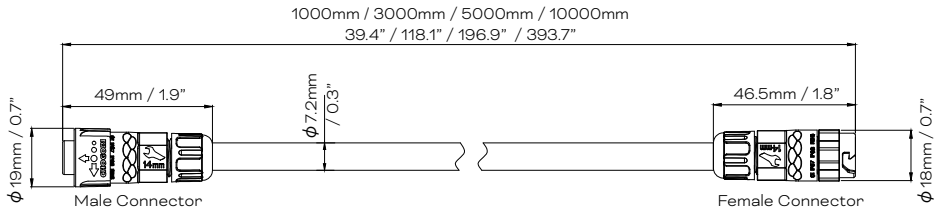


Starter Cable CC DC (CE & ETL) (CA.SC.CC401000 / CA.SC.CC403000 / CA.SC.CC405000 / CA.SC.CC410000)



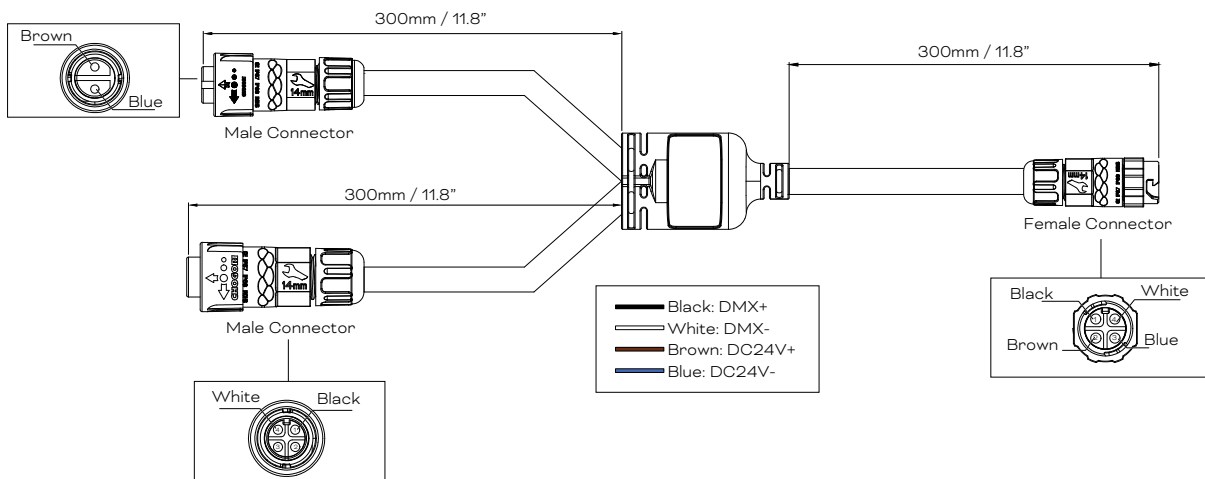
### Connection Accessories

Interconnection Cable CC DC (CE & ETL) (CA.IC.CC101000 / CA.IC.CC103000 / CA.IC.CC105000 / CA.IC.CC110000)

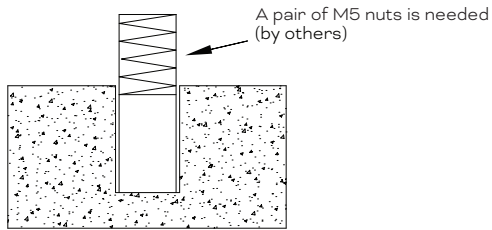


Cable color connection	
Male connector	Female connector
<ul style="list-style-type: none"> <li><span style="color: black;">—</span> Black: DMX+</li> <li><span style="color: white;">—</span> White: DMX-</li> <li><span style="color: brown;">—</span> Brown: DC24V+</li> <li><span style="color: blue;">—</span> Blue: DC24V-</li> </ul>	

Power Injector Cable CC DC (CE & ETL) (CA.PI.CC100000)

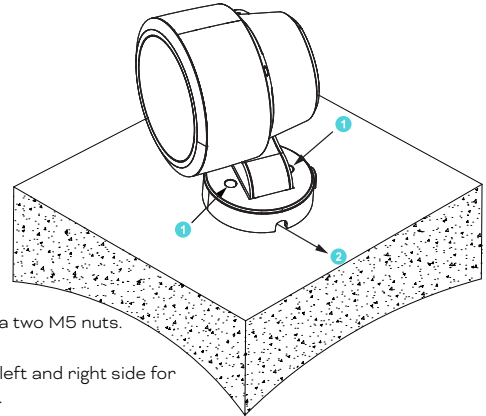


#### Install expansion screws on the fixed surface

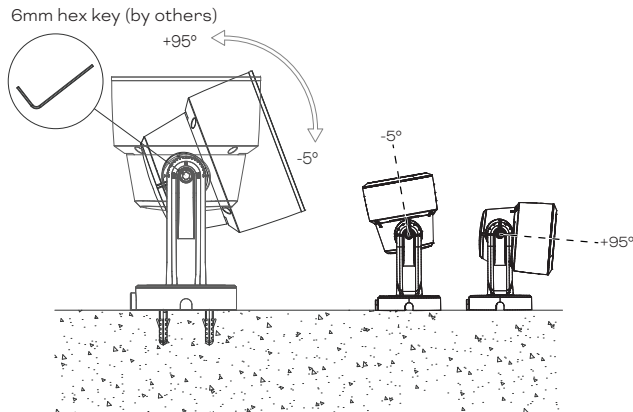


The size of the bracket mounting holes determines the size of the holes to be punched.

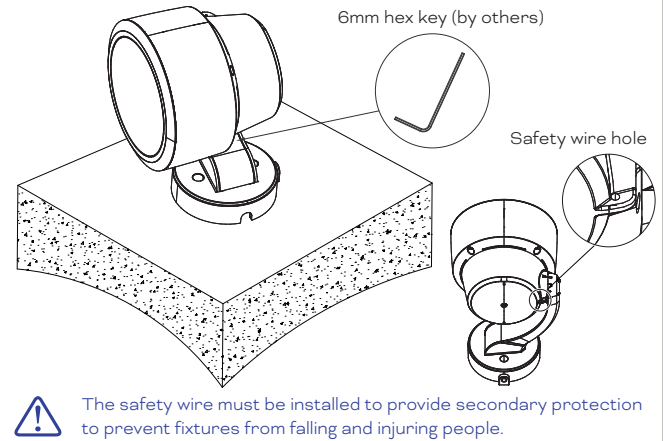
#### Fix the bracket



#### Adjust desired angles



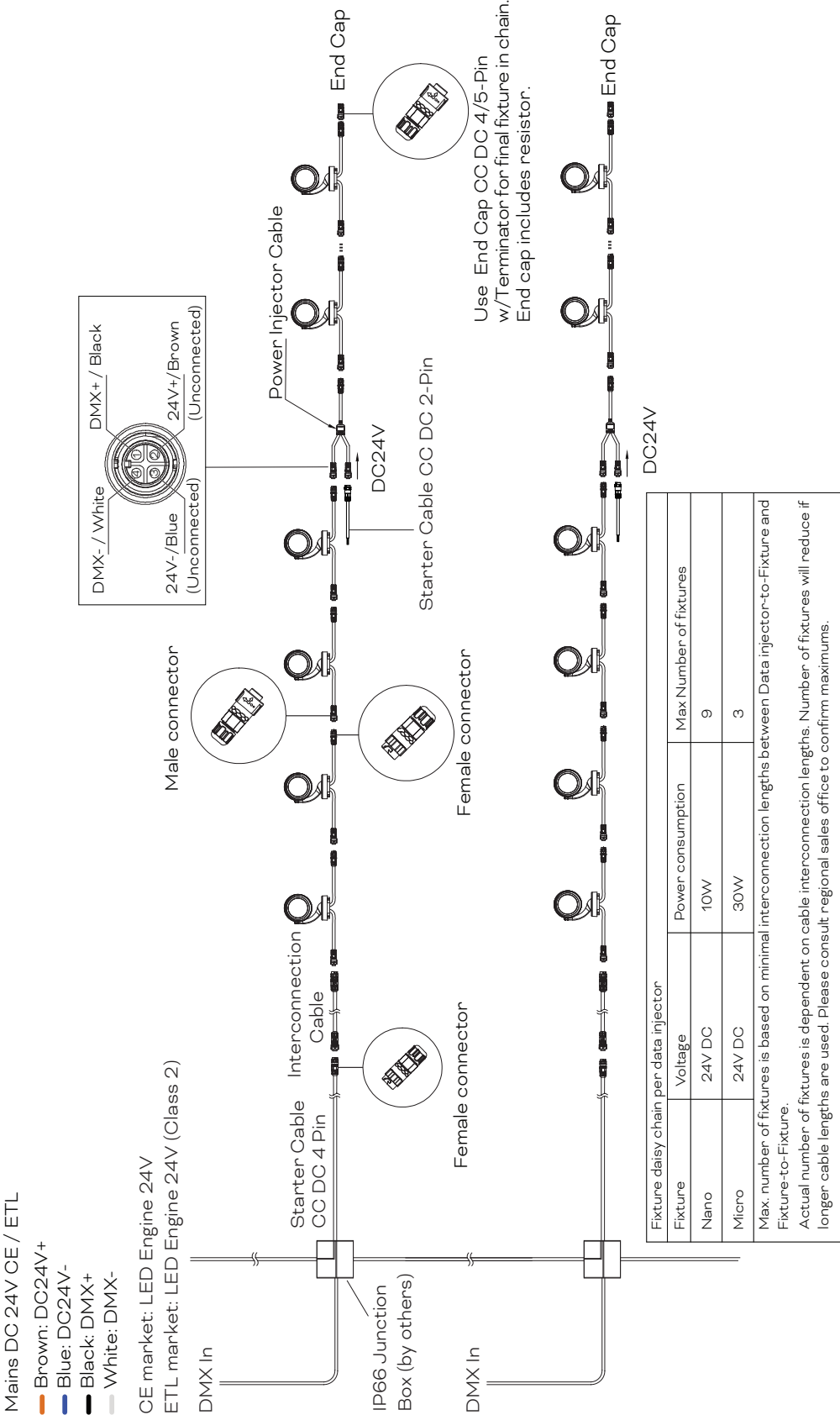
#### Tighten the bracket bolts to fix the luminaire to the desired angle





## Washer Pro Micro DC RGBW

System Diagram



## Washer Pro Micro DC RGBW

Ordering

### Model Number

<b>XB</b>	<b>.</b>	<b>WP</b>	<b>.</b>	<b>2</b>	<b>.</b>	<b>1</b>	<b>.</b>	<b>3</b>	<b>.</b>	<b>12</b>	<b>.</b>	<b>9</b>	<b>.</b>	<b>N</b>	<b>.</b>	<b>0</b>	<b>.</b>	<b>0</b>	<b>.</b>	<b>N</b>	<b>.</b>	<b>1</b>	<b>.</b>	<b>0</b>
		Housing Size		DC / AC	Wattage		LED	CCT	Optics	Control	Approbation		Color Finish											
		2: Micro		1: DC 24V	3: 30W*		12: RGBW	9: 6500K	3: 10°	0: DMX / RDM		0: CE & cETLus		0: TX Gray										
										5: 15°				1: Gray										
										6: 20°				2: Black										
										7: 30°				3: White										
										8: 45°														

Desired Model Number:

<b>XB</b>	<b>.</b>	<b>WP</b>	<b>.</b>	<b>1</b>	<b>.</b>	<b>0</b>
-----------	----------	-----------	----------	----------	----------	----------

\*The power can be set in the factory to achieve a fixed maximum power output to match project specifications and environmental targets (Washer Pro Micro: 15W-30W).

### Fixtures

Model No.	Description	Item Code
XB.WP.213129300010	WASHER PRO MICRO DC 30W RGBW65 10° (CC)	DL23100024155
XB.WP.213129500010	WASHER PRO MICRO DC 30W RGBW65 15° (CC)	DL23100024255
XB.WP.213129600010	WASHER PRO MICRO DC 30W RGBW65 20° (CC)	DL23100024355
XB.WP.213129700010	WASHER PRO MICRO DC 30W RGBW65 30° (CC)	DL23100024455
XB.WP.213129800010	WASHER PRO MICRO DC 30W RGBW65 45° (CC)	DL23100102255
XB.WP.213129300110	WASHER PRO MICRO DC 30W RGBW65 10° Gray (CC)	DL23100113555
XB.WP.213129500110	WASHER PRO MICRO DC 30W RGBW65 15° Gray (CC)	DL23100113655
XB.WP.213129600110	WASHER PRO MICRO DC 30W RGBW65 20° Gray (CC)	DL23100113755
XB.WP.213129700110	WASHER PRO MICRO DC 30W RGBW65 30° Gray (CC)	DL23100113855
XB.WP.213129800110	WASHER PRO MICRO DC 30W RGBW65 45° Gray (CC)	DL23100113955
XB.WP.213129300210	WASHER PRO MICRO DC 30W RGBW65 10° Black (CC)	DL23100118155
XB.WP.213129500210	WASHER PRO MICRO DC 30W RGBW65 15° Black (CC)	DL23100118255
XB.WP.213129600210	WASHER PRO MICRO DC 30W RGBW65 20° Black (CC)	DL23100118355
XB.WP.213129700210	WASHER PRO MICRO DC 30W RGBW65 30° Black (CC)	DL23100118455
XB.WP.213129800210	WASHER PRO MICRO DC 30W RGBW65 45° Black (CC)	DL23100118555
XB.WP.213129300310	WASHER PRO MICRO DC 30W RGBW65 10° White (CC)	DL23100122755
XB.WP.213129500310	WASHER PRO MICRO DC 30W RGBW65 15° White (CC)	DL23100122855
XB.WP.213129600310	WASHER PRO MICRO DC 30W RGBW65 20° White (CC)	DL23100122955
XB.WP.213129700310	WASHER PRO MICRO DC 30W RGBW65 30° White (CC)	DL23100123055
XB.WP.213129800310	WASHER PRO MICRO DC 30W RGBW65 45° White (CC)	DL23100123155

### Cable/Connector for DC fixture

Model No.	Description	Item Code
CA.SC.CC101000	STARTER CABLE CC DC 4-PIN 1M	DA23100027555
CA.SC.CC103000	STARTER CABLE CC DC 4-PIN 3M	DA23100027655
CA.SC.CC105000	STARTER CABLE CC DC 4-PIN 5M	DA23100027755
CA.SC.CC110000	STARTER CABLE CC DC 4-PIN 10M	DA23100027855
CA.SC.CC401000	STARTER CABLE CC DC 2-PIN 1M	DA23100166455
CA.SC.CC403000	STARTER CABLE CC DC 2-PIN 3M	DA23100166555
CA.SC.CC405000	STARTER CABLE CC DC 2-PIN 5M	DA23100166655
CA.SC.CC410000	STARTER CABLE CC DC 2-PIN 10M	DA23100166755

### Cable/Connector for DC fixture

Model No.	Description	Item Code
CA.IC.CC101000	INTERCONNECTION CABLE CC DC 4-PIN 1M	DA23100027955
CA.IC.CC103000	INTERCONNECTION CABLE CC DC 4-PIN 3M	DA23100028055
CA.IC.CC105000	INTERCONNECTION CABLE CC DC 4-PIN 5M	DA23100028155
CA.IC.CC110000	INTERCONNECTION CABLE CC DC 4-PIN 10M	DA23100028255
CA.PI.CC100000	POWER INJECTOR CABLE CC DC 4-PIN	DA23100150155
CA.EC.CC100000	END CAP CC DC 4/5-PIN W/TERM	DA23100028355

### Spread Lens

Model No.	Description	Item Code
WP.SM.203000	W PRO SL KIT 60° MICRO	DA23100028555
WP.SM.204000	W PRO SL KIT 60x10° MICRO	DA23100029555

### Glare Shield

Model No.	Description	Item Code
WP.AG.200000	W PRO GS ANGLED MICRO COVER	DA23100030555
WP.FG.200000	W PRO GS FULL MICRO COVER	DA23100031355
WP.AG.200100	W PRO GS ANGLED MICRO COVER Gray	DA23100150355
WP.FG.200100	W PRO GS FULL MICRO COVER Gray	DA23100150855
WP.AG.200200	W PRO GS ANGLED MICRO COVER Black	DA23100151355
WP.FG.200200	W PRO GS FULL MICRO COVER Black	DA23100151855
WP.AG.200300	W PRO GS ANGLED MICRO COVER White	DA23100152355
WP.FG.200300	W PRO GS FULL MICRO COVER White	DA23100152855

### Rotatable Mount Plate

Model No.	Description	Item Code
WP.RP.200000	W PRO RP MICRO	DA23100032655
WP.RP.200100	W PRO RP MICRO Gray	DA23100154255
WP.RP.200200	W PRO RP MICRO Black	DA23100154655
WP.RP.200300	W PRO RP MICRO White	DA23100155055

### Others

Model No.	Description	Item Code
On demand / Coming soon	Post Mount	On demand / Coming soon
On demand / Coming soon	Compression Post Mount	On demand / Coming soon
On demand / Coming soon	Extendable Mounting Arm	On demand / Coming soon
On demand / Coming soon	Pendant Mount	On demand / Coming soon
On demand / Coming soon	Tree Mount	On demand / Coming soon

