



TRAXON

Washer Pro Midi AC RGBW



TRAXON Pro*

Project: _____

Type: _____



IP66



COAST



DMX 512



ANSI 3G



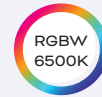
IK08

Technologies

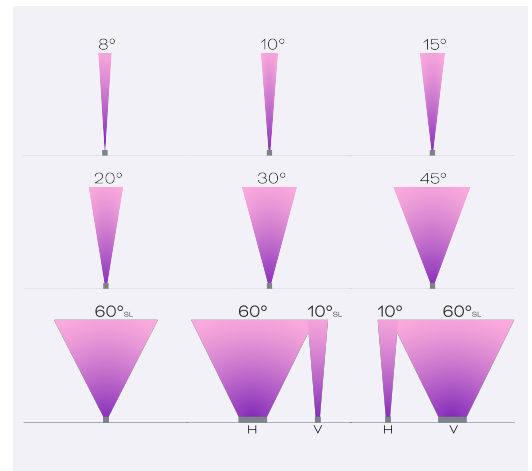
- RDM enabled



Color Options



Beam Angles

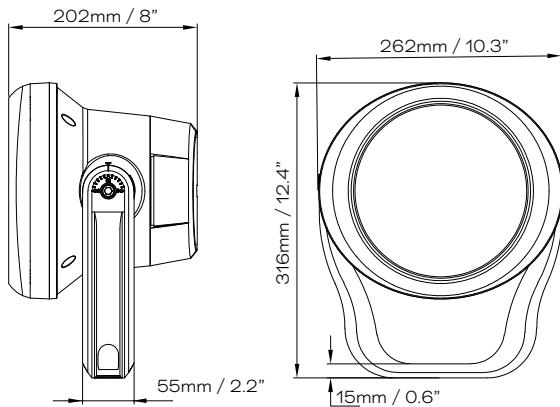


The Washer Pro Midi AC is part of a new, industry leading Wall Washer family of products producing high brightness, and high color saturation out of an extremely small form. Controlled via DMX512, with RDM, and paired with Traxon's DynaMood® technologies, the Traxon Washer Pro enables a selection of algorithms to define the lighting, and set the emotions of your lighting project.

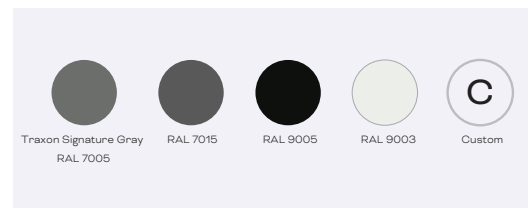
The Midi offering provides multiple wattage/output options.

This product is intended for use in high-quality colored light applications.

Dimensions



Finish



Product Specifications

Model	Washer Pro Midi AC RGBW
Light Source	4-in-1 LED cluster x 8
Color Range	RGBW (W=6500K)
LED Quantity	RGBW 4-in-1 LED 8pcs
Luminous Flux	5059 lm (full on 10°)
Candela	108139 cd (full on 10°)
Efficacy	51 lm/W (full on 10°)
CRI	≥80
Beam Angles ¹	8°, 10°, 15°, 20°, 30°, 45° native 60°, 60° x 10° (or 10° x 60°) achieved with spread lens
Cover Lens	Tempered Glass
Housing	Die Cast Aluminum
Housing Finish Options ²	Standard color: Traxon Signature Gray (RAL7005) Optional color: Gray (RAL7015), Black (RAL9005), White (RAL9003), Custom
Adjustment Options	-5° to + 95°
Mounting	Mounting via Yoke arm. Optional mounting accessories are available
Dimensions (W x D x H)	262mm / 10.3" x 202mm / 8" x 316mm / 12.4"
Weight	5.66kg / 12.5lbs
EPA	Front: 0.72 sq.ft Side: 0.55 sq.ft
Regulatory Listing & Safety Approval	cETLus, FCC, ANSI C136.31-3G
Operating Temperature	-30°C to +55°C (-22°F to +131°F)
Minimum Starting Temperature	-20°C (-4°F)
Storage Temperature	-40°C to +80°C (-40°F to +176°F)
Environment	Outdoor, IP66, IK08, IK10 with Rock Guard, Coastal Environment (ASTM B117-16)
Humidity	85%, non-condensing

Electrical Specifications

Input Voltage ³	120-277V AC 50/60Hz
Power Consumption ⁴	100 W
Lumen Maintenance	L70 81000hrs @ 25°C
Power Factor	> 0.9

System Specifications

Power	AC Line
Control	DMX 512, RDM Enabled Dynamood Personalities: White balance mode (Default), Equal current mode, 16-bit, RGB, Color balance mode
Power Supply	Integrated
Maximum number of daisy chain fixture per input power line	32PCS@277V AC 13PCS@120V AC

1. Spread lens assembled on 10° fixture.

2. Custom RAL Housing available by request. MOQ and additional costs may apply. Consult with your regional Traxon Office for more information.

3. Single phase (line, neutral and ground).

4. The power can be set in the factory to achieve a fixed maximum power output to match project specifications and environmental targets (Washer Pro Midi: 60W-100W).

LED CHARACTERISTICS Because LEDs are semiconductor devices, their performances are subject to inherent variability commonly found in semiconductor industry. To improve consistency in performance across the same product, LED manufacturers "sort" LEDs into bins according to different preset parameters, such as forward driving voltage, illumination, etc. Whereas binning is a sorting function, it is not a correction process. Inherent variability in the manufacturing process results always in different binning distributions according to different production lots. Traxon uses automatically binned LEDs on its products, thereby minimizing output variations within the model range.

As with all electronic devices, LED output degrades over time - a term called lumen depreciation. This also explains why it is nearly impossible to expect photometric performances of two LED products with different service life spans to be the same. The rate of LED degrade is a complicated function of many factors such as operating efficiency, duration of continuous operation, and more significantly, environmental conditions (ambient temperature for example). If allowed working under optimal operating temperature range and with good ventilation, LED devices enjoy long service lives over conventional light sources. When using/installing LED devices, care should be taken to ensure that the devices will operate within the operating conditions specified in respective product literature.

This product contains a light source of energy efficiency class G to Regulation (EU) No 2019/2015.

Lumen measurement complies with LM-79-08 standard.

Lumen maintenance is calculated based on LM-80 compliant measurement.

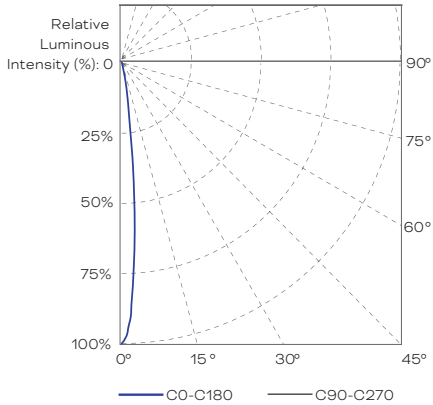
Washer Pro Midi AC RGBW

Photometrics

Source Specifications

Source	RGBW 4-in-1 LED x 8
Optics	10°

Candela Distribution

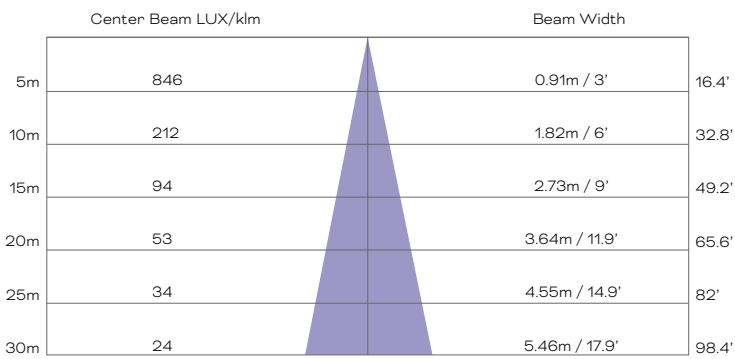


Light Output

Color	Luminous Flux (lm)	Center Intensity (cd)	Efficacy (lm/W)
RGBW (full-on)	5059	108139	51
RGB	2860	61142	41
Red	885	18917	29
Green	2059	44022	52
Blue	65	1382	5
White	2567	54870	62

Luminaire setting: White-balance mode.

Illuminance at a Distance



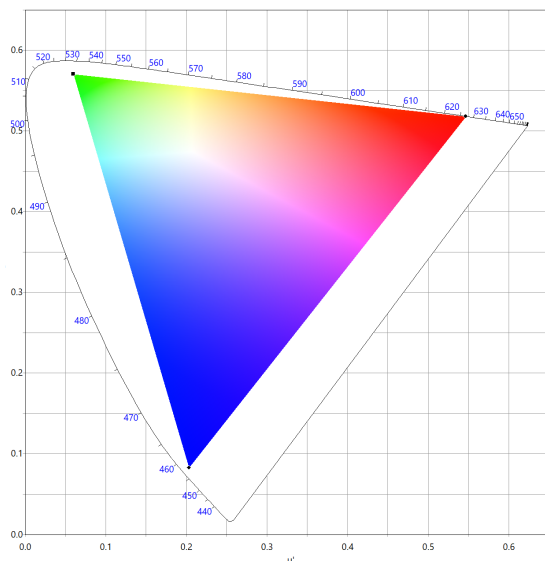
For fc divide by 10.7

■ Horiz. Spread: 10.4°

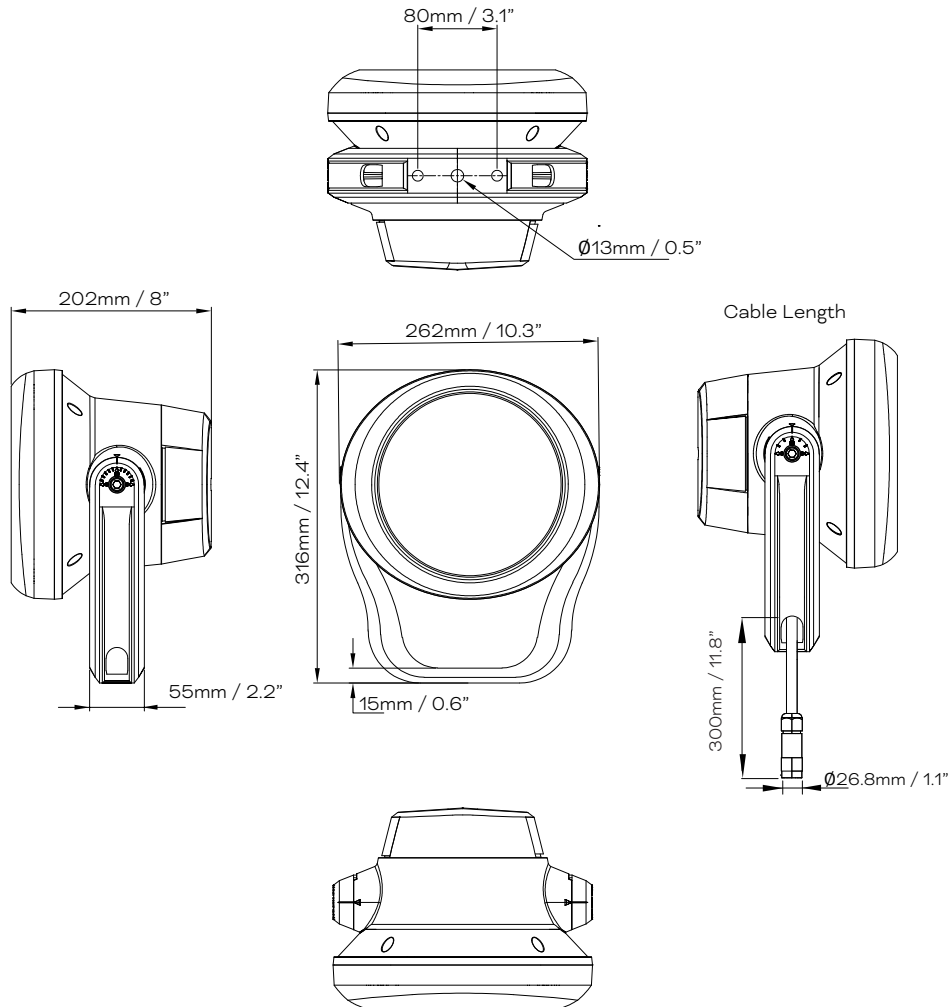
IES and LDT files are available for download from the Traxon website.

Color	Distance	Illuminance	
		LUX	FC
RGBW (full-on)	5m / 16.4'	4280	400
	10m / 32.8'	1073	100
	15m / 49.2'	476	44
	20m / 65.6'	268	25
	25m / 82'	172	16
RGB	30m / 98.4'	121	11
	5m / 16.4'	2420	226
	10m / 32.8'	606	57
	15m / 49.2'	269	25
	20m / 65.6'	152	14
Red	25m / 82'	97	9
	30m / 98.4'	69	6
	5m / 16.4'	749	70
	10m / 32.8'	188	18
	15m / 49.2'	83	8
Green	20m / 65.6'	47	4
	25m / 82'	30	3
	30m / 98.4'	21	2
	5m / 16.4'	1742	163
	10m / 32.8'	437	41
Blue	15m / 49.2'	194	18
	20m / 65.6'	109	10
	25m / 82'	70	7
	30m / 98.4'	49	5
	White	5m / 16.4'	55
10m / 32.8'		14	1
15m / 49.2'		6	0.6
20m / 65.6'		3	0.3
25m / 82'		2	0.2
White	30m / 98.4'	2	0.2
	5m / 16.4'	2172	203
	10m / 32.8'	544	51
	15m / 49.2'	241	23
	20m / 65.6'	136	13
White	25m / 82'	87	8
	30m / 98.4'	62	6

RGBW Gamut and Range



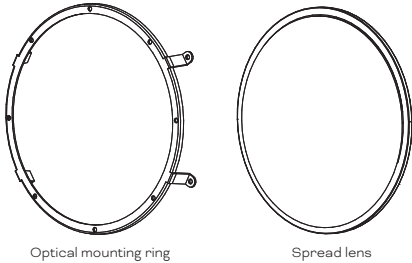
Fixture Dimensions



Optical Accessories

Spread Lens Kit

Washer Pro Spread Lens Kit 60° Midi (WP.SM.403000)
 Washer Pro Spread Lens Kit 60x10° Midi (WP.SM.404000)



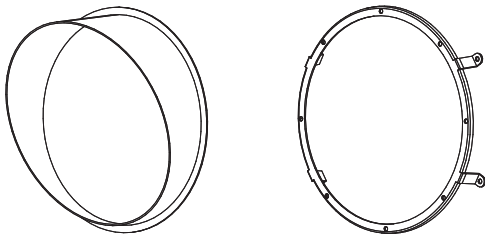
Optical mounting ring

Spread lens

Glare Shield

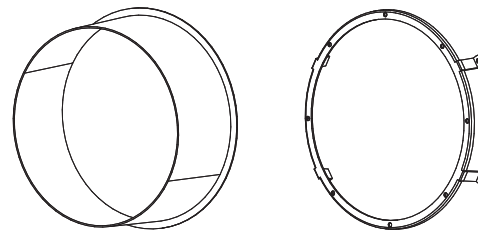
Washer Pro Glare Shield Angled Kit Midi (WP.AG.400000)

Washer Pro Glare Shield Full Kit Midi (WP.FG.400000)



Angled glare shield

Optical mounting ring*



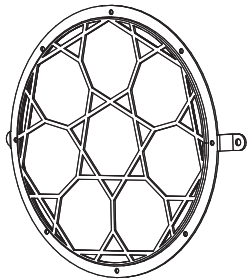
Full glare shield

Optical mounting ring*

* Optical mounting ring included with glare shield's for spacing of the accessory.

Rock Guard

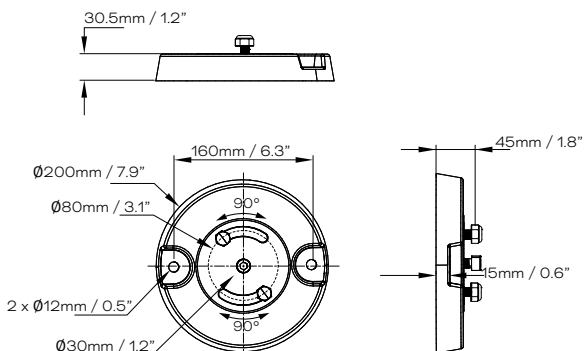
Washer Pro Rock Guard Midi (WP.RG.400000)



Mounting Accessories

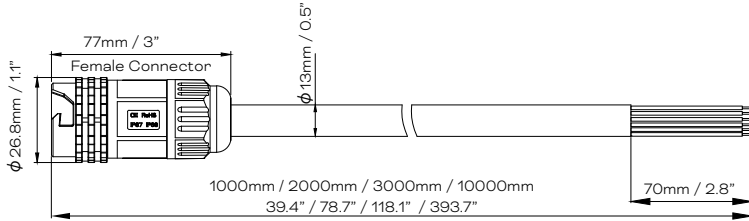
Rotatable Mount Plate

Washer Pro Rotatable Mount Plate Midi / Maxi (WP.RP.400000)



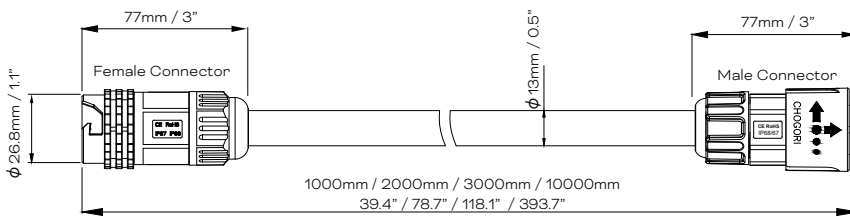
Connection Accessories

Washer Pro Mini / Midi / Maxi AC Starter Cable (ETL) (CA.SC.CC201000 / CA.SC.CC202000 / CA.SC.CC203000 / CA.SC.CC210000)



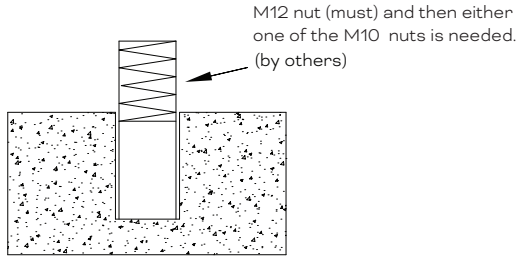
Cable color connection	
Female connector	
Black	Green
White	White
Yellow	Yellow
Blue	Blue
Brown	Brown
Black: Line	White: Neutral
Brown: DMX+	Blue: DMX-
Green: PG	Yellow: Not used

Washer Pro Mini / Midi / Maxi AC Interconnection Cable (ETL) (KO.KA.601000 / KO.KA.602000 / KO.KA.603000 / KO.KA.610000)



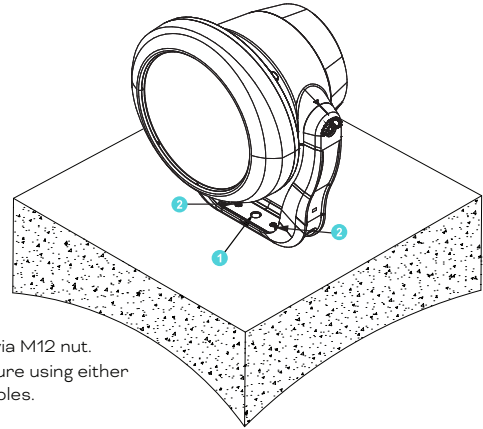
Cable color connection	
Female connector	
Black	Green
White	White
Yellow	Yellow
Blue	Blue
Brown	Brown
Male connector	
White	Green
Black	Black
Yellow	Yellow
Blue	Blue
Brown	Brown
Black: Line	White: Neutral
Brown: DMX+	Blue: DMX-
Green: PG	Yellow: Not used

Install expansion screws on the fixed surface



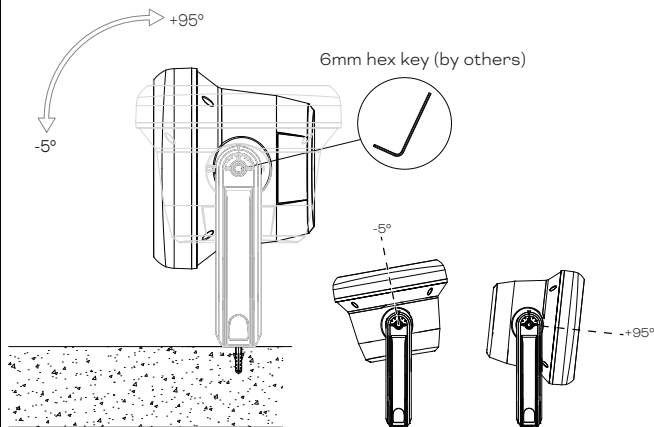
The size of the bracket mounting holes determines the size of the holes to be punched.

Fix the bracket

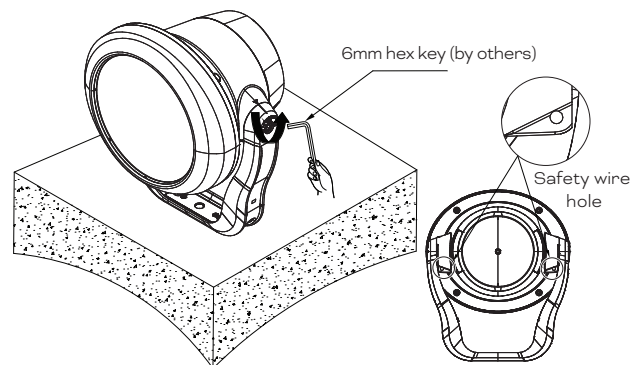


- 1 Fix bracket via M12 nut.
- 2 Further secure using either of the M10 holes. (by others)

Adjust desired angles

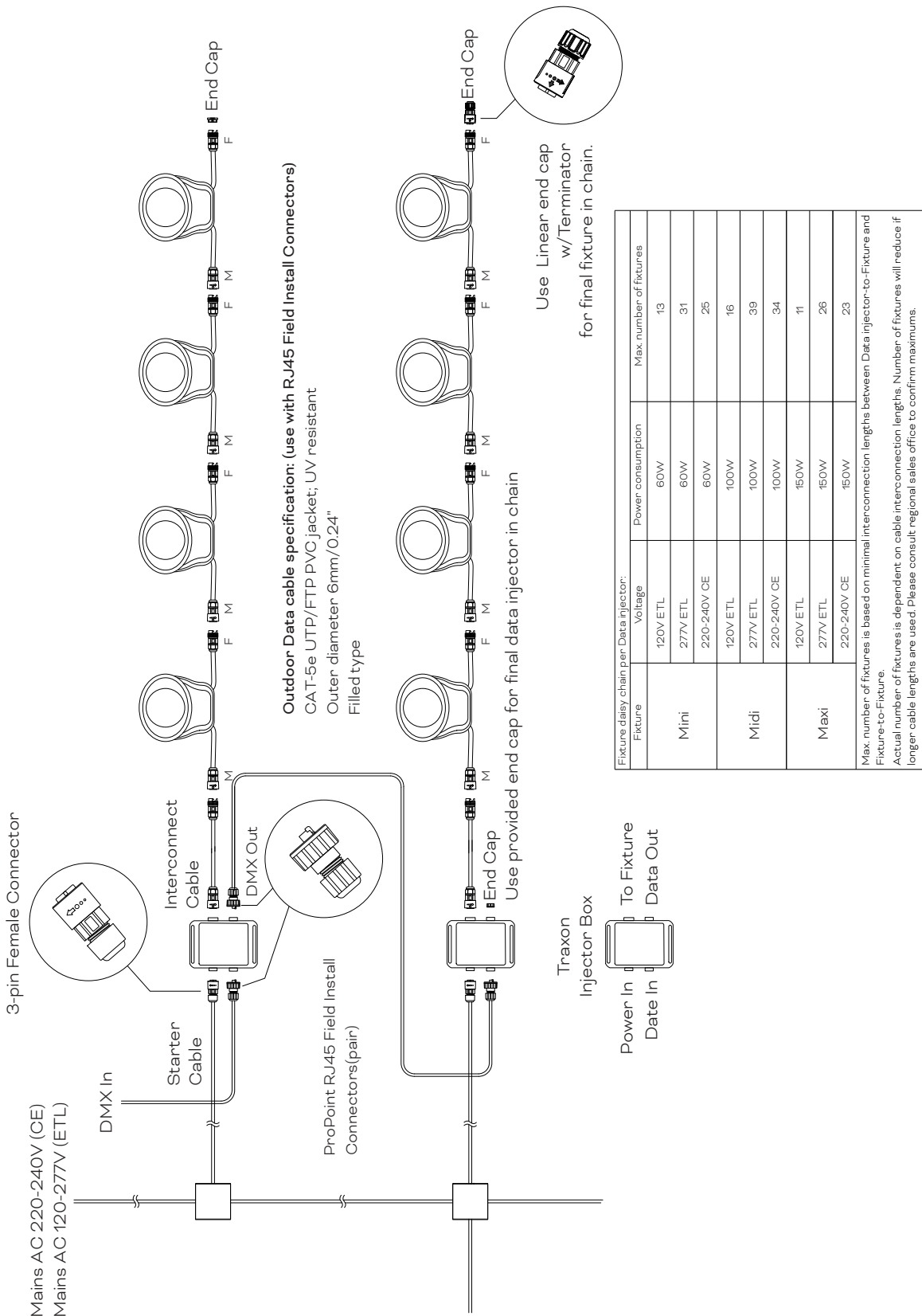


Tighten the bracket bolts to fix the luminaire to the desired angle

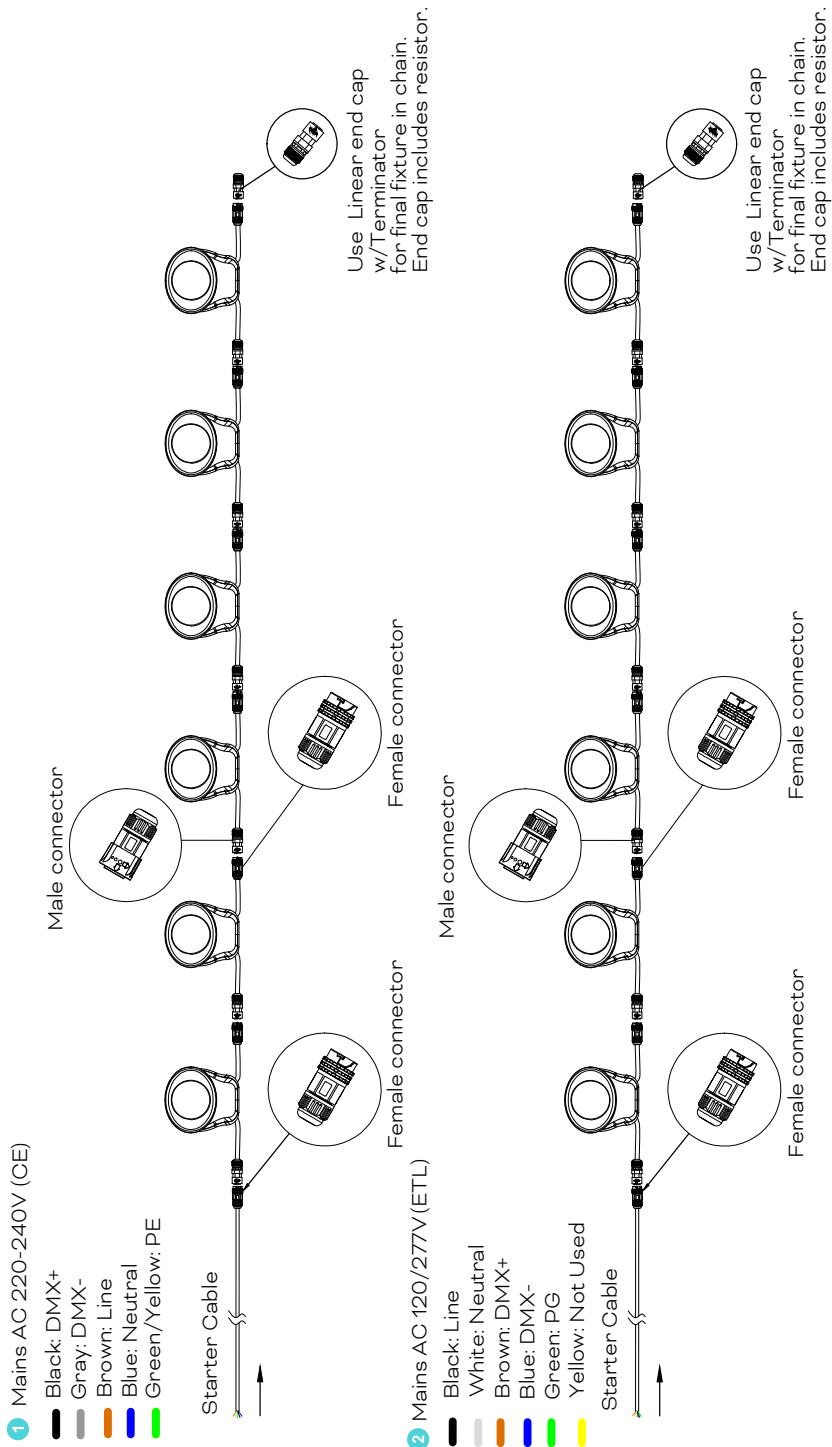


 The safety wire must be installed to provide secondary protection to prevent fixtures from falling and injuring people.

Wiring Diagram with Injector Box



Wiring Diagram without Injector Box



Fixture daisy chain per Data injector:			
Fixture	Voltage	Power consumption	Max. number of fixtures
Mini	120V ETL	60W	13
	277V ETL	60W	31
	220-240V CE	60W	25
Midi	120V ETL	100W	16
	277V ETL	100W	39
	220-240V CE	100W	34
Maxi	120V ETL	150W	11
	277V ETL	150W	26
	220-240V CE	150W	23

Max. number of fixtures is based on minimal interconnection lengths between Data injector-to-Fixture and Fixture-to-Fixture.
Actual number of fixtures is dependent on cable interconnection lengths. Number of fixtures will reduce if longer cable lengths are used. Please consult regional sales office to confirm maximums.

Washer Pro Midi AC RGBW

Ordering

Model Number

XB	.	WP	.	4	.	2	.	7	.	12	.	9	.	N	.	0	.	4	.	N	.	N	.	0
		Housing Size		DC / AC		Wattage		LED		CCT		Optics		Control		Approbation		Color Finish		Cable / Connector (300mm in&out)				
		4: Midi		2: AC		7: 100W		12: RGBW		9: 6500K		2: 8°		0: DMX / RDM		4: cETLus		0: TX Gray		2: With CC connector				
												3: 10°						1: Gray		7: Without connector				
												5: 15°						2: Black						
												6: 20°						3: White						
												7: 30°												
												8: 45°												

Desired Model Number:

XB	.	WP	.	0
-----------	---	-----------	---	----------

*The power can be set in the factory to achieve a fixed maximum power output to match project specifications and environmental targets (Washer Pro Midi: 60W-100W).

Fixtures

Model No.	Description	Item Code
XB.WP.427129204020	WASHER PRO MIDI AC 100W RGBW65 8° ETL (CC)	DL23100026555
XB.WP.427129304020	WASHER PRO MIDI AC 100W RGBW65 10° ETL (CC)	DL23100026655
XB.WP.427129504020	WASHER PRO MIDI AC 100W RGBW65 15° ETL (CC)	DL23100026755
XB.WP.427129604020	WASHER PRO MIDI AC 100W RGBW65 20° ETL (CC)	DL23100026855
XB.WP.427129704020	WASHER PRO MIDI AC 100W RGBW65 30° ETL (CC)	DL23100026955
XB.WP.427129804020	WASHER PRO MIDI AC 100W RGBW65 45° ETL (CC)	DL23100102755
XB.WP.427129204120	WASHER PRO MIDI AC 100W RGBW65 8° ETL Gray (CC)	DL23100116455
XB.WP.427129304120	WASHER PRO MIDI AC 100W RGBW65 10° ETL Gray (CC)	DL23100116555
XB.WP.427129504120	WASHER PRO MIDI AC 100W RGBW65 15° ETL Gray (CC)	DL23100116655
XB.WP.427129604120	WASHER PRO MIDI AC 100W RGBW65 20° ETL Gray (CC)	DL23100116755
XB.WP.427129704120	WASHER PRO MIDI AC 100W RGBW65 30° ETL Gray (CC)	DL23100116855
XB.WP.427129804120	WASHER PRO MIDI AC 100W RGBW65 45° ETL Gray (CC)	DL23100116955
XB.WP.427129204220	WASHER PRO MIDI AC 100W RGBW65 8° ETL Black (CC)	DL23100121055
XB.WP.427129304220	WASHER PRO MIDI AC 100W RGBW65 10° ETL Black (CC)	DL23100121155
XB.WP.427129504220	WASHER PRO MIDI AC 100W RGBW65 15° ETL Black (CC)	DL23100121255
XB.WP.427129604220	WASHER PRO MIDI AC 100W RGBW65 20° ETL Black (CC)	DL23100121355
XB.WP.427129704220	WASHER PRO MIDI AC 100W RGBW65 30° ETL Black (CC)	DL23100121455
XB.WP.427129804220	WASHER PRO MIDI AC 100W RGBW65 45° ETL Black (CC)	DL23100121555
XB.WP.427129204320	WASHER PRO MIDI AC 100W RGBW65 8° ETL White (CC)	DL23100125655
XB.WP.427129304320	WASHER PRO MIDI AC 100W RGBW65 10° ETL White (CC)	DL23100125755
XB.WP.427129504320	WASHER PRO MIDI AC 100W RGBW65 15° ETL White (CC)	DL23100125855
XB.WP.427129604320	WASHER PRO MIDI AC 100W RGBW65 20° ETL White (CC)	DL23100125955
XB.WP.427129704320	WASHER PRO MIDI AC 100W RGBW65 30° ETL White (CC)	DL23100126055
XB.WP.427129804320	WASHER PRO MIDI AC 100W RGBW65 45° ETL White (CC)	DL23100126155

TX Injector

Model No.	Description	Item Code
PP.AC.100001	TX INJECTOR (CC)	AM374890055
PP.AC.100002	TX INJECTOR (CC) BL	AM374900055
PP.AC.100003	TX INJECTOR (CC) WT	AM374910055
PP.AC.400000	TX INJECTOR RJ45 FLD CTRS (PAIR)	AM380560055

Cable/Connector for AC fixture

Model No.	Description	Item Code
PP.A1.303000	3M TX-INJ (CC) POWER INPUT CABLE ETL	AM374840155
KO.KA.601000	1M AL INTERCONNECTION CABLE CC ETL	AM357490055
KO.KA.602000	2M AL INTERCONNECTION CABLE CC ETL	AM357500055
KO.KA.603000	3M AL INTERCONNECTION CABLE CC ETL	AM357510055
KO.KA.610000	10M AL INTERCONNECTION CABLE CC ETL	AM357520055
CA.SC.CC201000	STARTER CABLE CC AC 5-PIN 1M ETL	DA23100149355
CA.SC.CC202000	STARTER CABLE CC AC 5-PIN 2M ETL	DA23100149455
CA.SC.CC203000	STARTER CABLE CC AC 5-PIN 3M ETL	DA23100149555
CA.SC.CC210000	STARTER CABLE CC AC 5-PIN 10M ETL	DA23100149655
PP.AC.600000	AL END CAP W/TERM (CC)	AM380550055

Spread Lens

Model No.	Description	Item Code
WP.SM.403000	W PRO SL KIT 60° MIDI	DA23100028755
WP.SM.404000	W PRO SL KIT 60x10° MIDI	DA23100029755

Glare Shield

Model No.	Description	Item Code
WP.AG.400000	W PRO GS ANGLED KIT MIDI	DA23100030755
WP.FG.400000	W PRO GS FULL KIT MIDI	DA23100031555
WP.AG.400100	W PRO GS ANGLED KIT MIDI Gray	DA23100150555
WP.FG.400100	W PRO GS FULL KIT MIDI Gray	DA23100151055
WP.AG.400200	W PRO GS ANGLED KIT MIDI Black	DA23100151555
WP.FG.400200	W PRO GS FULL KIT MIDI Black	DA23100152055
WP.AG.400300	W PRO GS ANGLED KIT MIDI White	DA23100152555
WP.FG.400300	W PRO GS FULL KIT MIDI White	DA23100153055

Rock Guard

Model No.	Description	Item Code
WP.RG.400000	W PRO RG MIDI	DA23100032355
WP.RG.400100	W PRO RG MIDI Gray	DA23100153355
WP.RG.400200	W PRO RG MIDI Black	DA23100153655
WP.RG.400300	W PRO RG MIDI White	DA23100153955

Rotatable Mount Plate

Model No.	Description	Item Code
WP.RP.400000	W PRO RP MIDI / MAXI	DA23100032855
WP.RP.400100	W PRO RP MIDI / MAXI Gray	DA23100154455
WP.RP.400200	W PRO RP MIDI / MAXI Black	DA23100154855
WP.RP.400300	W PRO RP MIDI / MAXI White	DA23100155255

Others

Model No.	Description	Item Code
On demand / Coming soon	Post Mount	On demand / Coming soon
On demand / Coming soon	Compression Post Mount	On demand / Coming soon
On demand / Coming soon	Extendable Mounting Arm	On demand / Coming soon
On demand / Coming soon	Pendant Mount	On demand / Coming soon
On demand / Coming soon	Tree Mount	On demand / Coming soon



TRAXON