



TRAXON

Washer Pro Mini AC RGBW

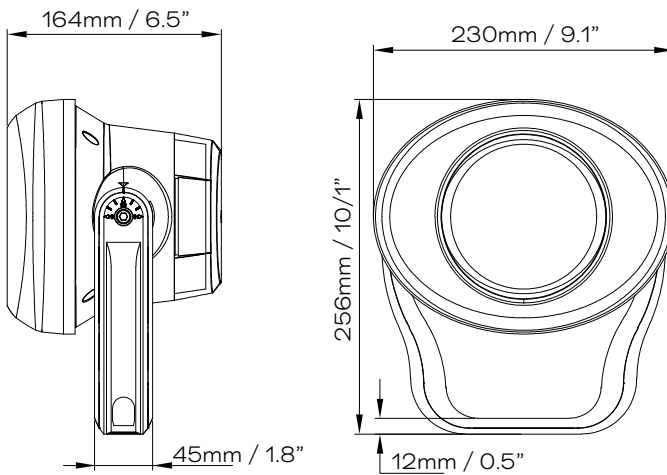


The Washer Pro Mini AC is part of a new, industry leading Wall Washer family of products producing high brightness, and high color saturation out of an extremely small form. Controlled via DMX512, with RDM, and paired with Traxon's DynaMood® technologies, the Traxon Washer Pro enables a selection of algorithms to define the lighting, and set the emotions of your lighting project.

The Mini offering provides multiple wattage/output options.

This product is intended for use in high-quality colored light applications.

Dimensions



TRAXON Pro*

Project: _____

Type: _____



IP66



COAST



DMX 512



ANSI 3G



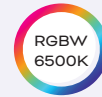
IK08

Technologies

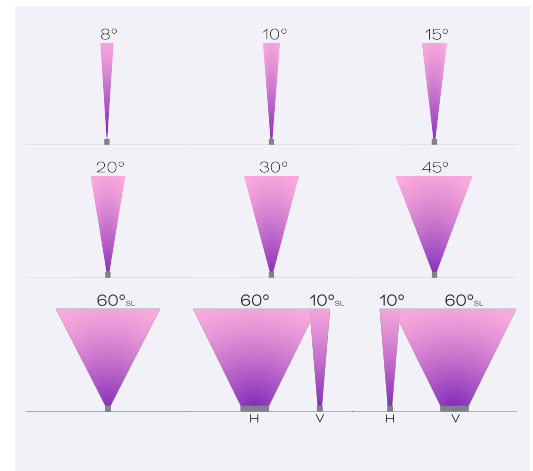
- RDM enabled



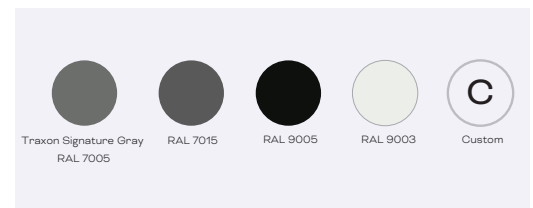
Color Options



Beam Angles



Finish



Product Specifications

Model	Washer Pro Mini AC RGBW
Light Source	4-in-1 LED cluster x 4
Color Range	RGBW (W=6500K)
LED Quantity	RGBW 4-in-1 LED 4pcs
Luminous Flux	2644 lm (full on 10°)
Candela	56523 cd (full on 10°)
Efficacy	46 lm/W (full on 10°)
CRI	≥80
Beam Angles ¹	8°, 10°, 15°, 20°, 30°, 45° native 60°, 60° x 10° (or 10° x 60°) achieved with spread lens
Cover Lens	Tempered Glass
Housing	Die Cast Aluminum
Housing Finish Options ²	Standard color: Traxon Signature Gray (RAL7005) Optional color: Gray (RAL7015), Black (RAL9005), White (RAL9003), Custom
Adjustment Options	-5° to + 95°
Mounting	Mounting via Yoke arm. Optional mounting accessories are available
Dimensions (W x D x H)	230mm / 9.1" x 164mm / 6.5" x 256mm / 10.1"
Weight	3.95kg / 8.7lbs
EPA	Front: 0.49 sq.ft Side: 0.36 sq.ft
Regulatory Listing & Safety Approval	cETLus, FCC, ANSI C136.31-3G
Operating Temperature	-30°C to +55°C (-22°F to +131°F)
Minimum Starting Temperature	-20°C (-4°F)
Storage Temperature	-40°C to +80°C (-40°F to +176°F)
Environment	Outdoor, IP66, IK08, IK10 with Rock Guard, Coastal Environment (ASTM B117-16)
Humidity	85%, non-condensing

Electrical Specifications

Input Voltage ³	120-277V AC 50/60Hz
Power Consumption ⁴	60 W
Lumen Maintenance	L70 81000hrs @ 25°C
Power Factor	> 0.9

System Specifications

Power	AC Line
Control	DMX 512, RDM Enabled Dynamood Personalities: White balance mode (Default), Equal current mode, 16-bit, RGB, Color balance mode
Power Supply	Integrated
Maximum number of daisy chain fixture per input power line	26PCS@277V AC 11PCS@120V AC

1. Spread lens assembled on 10° fixture.
2. Custom RAL Housing available by request. MOQ and additional costs may apply. Consult with your regional Traxon Office for more information.
3. Single phase (line, neutral and ground).
4. The power can be set in the factory to achieve a fixed maximum power output to match project specifications and environmental targets (Washer Pro Mini: 30W-60W).

LED CHARACTERISTICS Because LEDs are semiconductor devices, their performances are subject to inherent variability commonly found in semiconductor industry. To improve consistency in performance across the same product, LED manufacturers "sort" LEDs into bins according to different preset parameters, such as forward driving voltage, illumination, etc. Whereas binning is a sorting function, it is not a correction process. Inherent variability in the manufacturing process results always in different binning distributions according to different production lots. Traxon uses automatically binned LEDs on its products, thereby minimizing output variations within the model range.

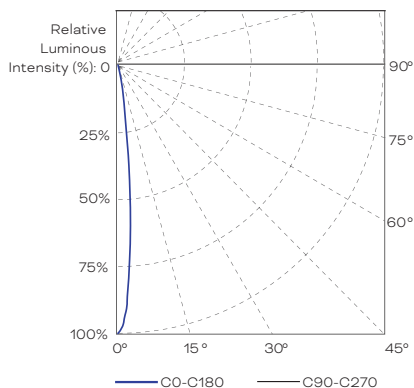
As with all electronic devices, LED output degrades over time – a term called lumen depreciation. This also explains why it is nearly impossible to expect photometric performances of two LED products with different service life spans to be the same. The rate of LED degrade is a complicated function of many factors such as operating efficiency, duration of continuous operation, and more significantly, environmental conditions (ambient temperature for example). If allowed working under optimal operating temperature range and with good ventilation, LED devices enjoy long service lives over conventional light sources. When using/installing LED devices, care should be taken to ensure that the devices will operate within the operating conditions specified in respective product literature.

This product contains a light source of energy efficiency class G to Regulation (EU) No 2019/2015. Lumen measurement complies with LM-79-08 standard. Lumen maintenance is calculated based on LM-80 compliant measurement.

Source Specifications

Source	RGBW 4-in-1 LED x 4
Optics	10°

Candela Distribution



Light Output

Color	Luminous Flux (lm)	Center Intensity (cd)	Efficacy (lm/W)
RGBW (full-on)	2644	56523	46
RGB	1495	31145	39
Red	463	9905	28
Green	1076	19258	48
Blue	34	690	4
White	1341	28354	53

Luminaire setting: White-balance mode.

Illuminance at a Distance

Distance	Center Beam LUX/klm	Beam Width	Beam Diameter
5m	846	0.91m / 3'	16.4'
10m	212	1.82m / 6'	32.8'
15m	94	2.73m / 9'	49.2'
20m	53	3.64m / 11.9'	65.6'
25m	34	4.55m / 14.9'	82'
30m	24	5.46m / 17.9'	98.4'

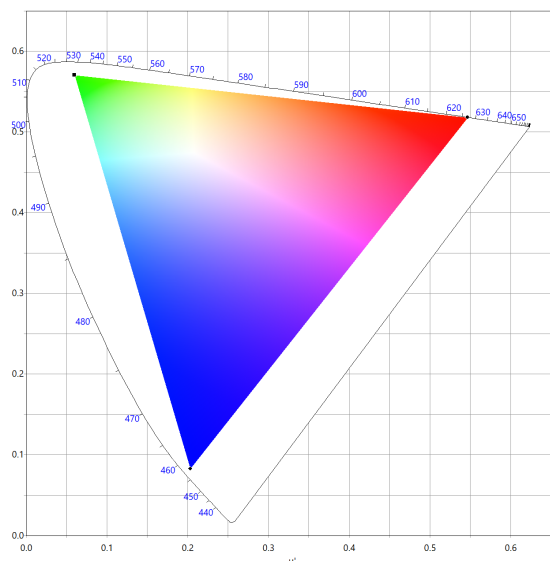
For fc divide by 10.7

● Horiz. Spread: 10.4°

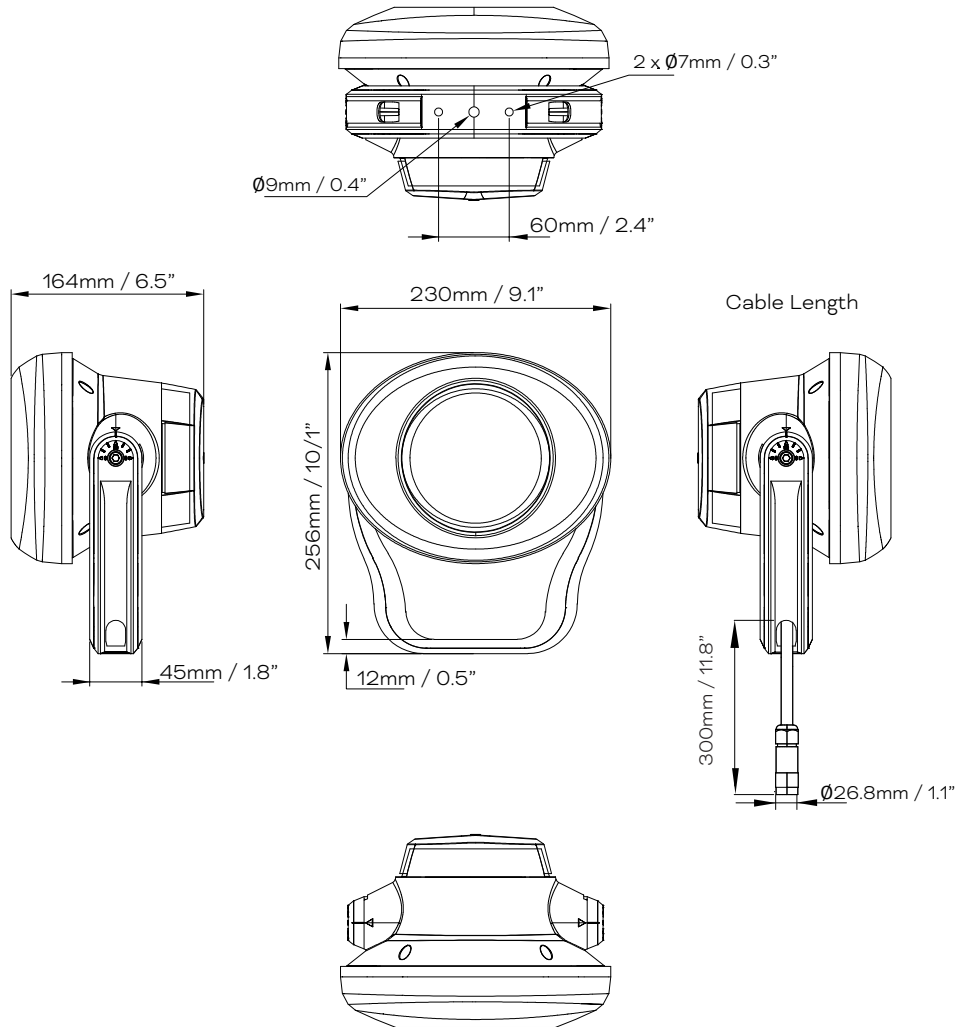
IES and LDT files are available for download from the Traxon website.

Color	Distance	Illuminance	
		LUX	FC
RGBW (full-on)	5m / 16.4'	2237	209
	10m / 32.8'	561	52
	15m / 49.2'	249	23
	20m / 65.6'	140	13
	30m / 98.4'	90	8
RGB	5m / 16.4'	1265	118
	10m / 32.8'	317	30
	15m / 49.2'	141	13
	20m / 65.6'	79	7
	30m / 98.4'	36	3
Red	5m / 16.4'	392	37
	10m / 32.8'	98	9
	15m / 49.2'	44	4
	20m / 65.6'	25	2
	30m / 98.4'	11	1
Green	5m / 16.4'	910	85
	10m / 32.8'	228	21
	15m / 49.2'	101	9
	20m / 65.6'	57	5
	30m / 98.4'	26	2
Blue	5m / 16.4'	29	3
	10m / 32.8'	7	0.7
	15m / 49.2'	3	0.3
	20m / 65.6'	2	0.2
	30m / 98.4'	0.8	0.07
White	5m / 16.4'	1134	106
	10m / 32.8'	284	27
	15m / 49.2'	126	12
	20m / 65.6'	71	7
	30m / 98.4'	32	3

RGBW Gamut and Range



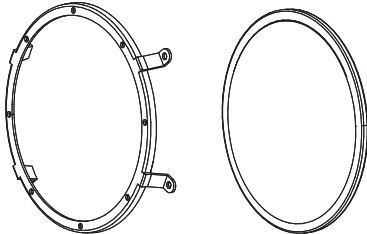
Fixture Dimensions



Optical Accessories

Spread Lens Kit

Washer Pro Spread Lens Kit 60° Mini (WP.SM.303000)
 Washer Pro Spread Lens Kit 60x10° Mini (WP.SM.304000)



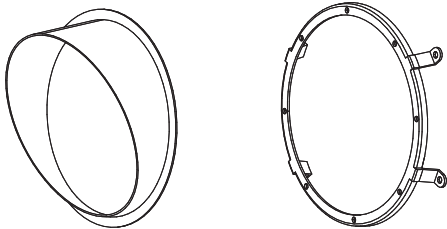
Optical mounting ring

Spread lens

Glare Shield

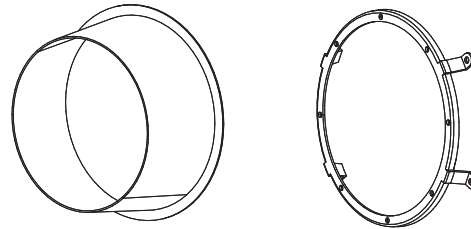
Washer Pro Glare Shield Angled Kit Mini (WP.AG.300000)

Washer Pro Glare Shield Full Kit Mini (WP.FG.300000)



Angled glare shield

Optical mounting ring*



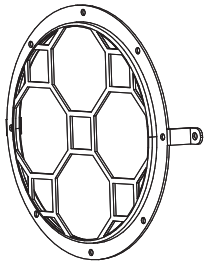
Full glare shield

Optical mounting ring*

* Optical mounting ring included with glare shield's for spacing of the accessory.

Rock Guard

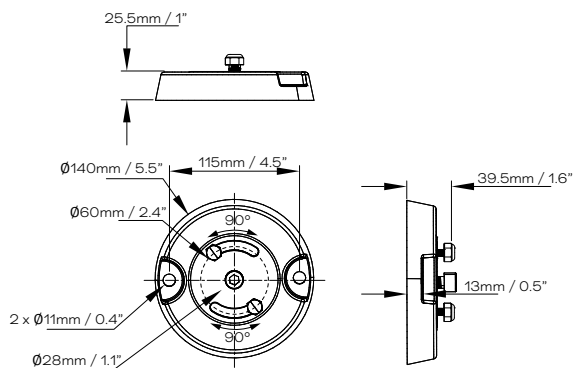
Washer Pro Rock Guard Mini (WP.RG.300000)



Mounting Accessories

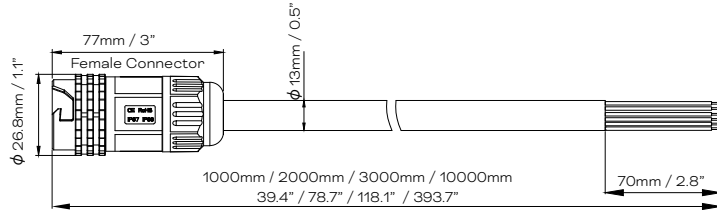
Rotatable Mount Plate

Washer Pro Rotatable Mount Plate Mini (WP.RP.300000)



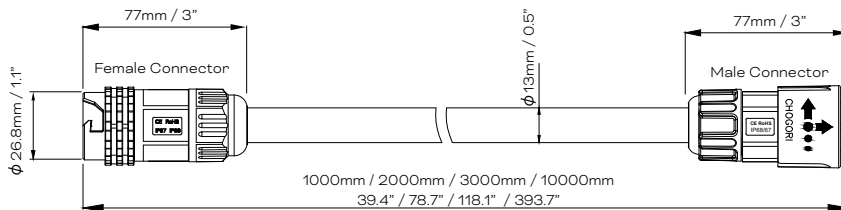
Connection Accessories

Washer Pro Mini / Midi / Maxi AC Starter Cable (ETL) (CA.SC.CC201000 / CA.SC.CC202000 / CA.SC.CC203000 / CA.SC.CC210000)



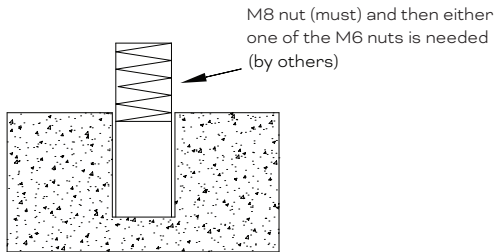
Cable color connection	
Female connector	
Black	Green
White	White
Brown	Yellow
Blue	Blue
<ul style="list-style-type: none"> Black: Line White: Neutral Brown: DMX+ Blue: DMX- Green: PG Yellow: Not used 	

Washer Pro Mini / Midi / Maxi AC Interconnection Cable (ETL) (KO.KA.601000 / KO.KA.602000 / KO.KA.603000 / KO.KA.610000)



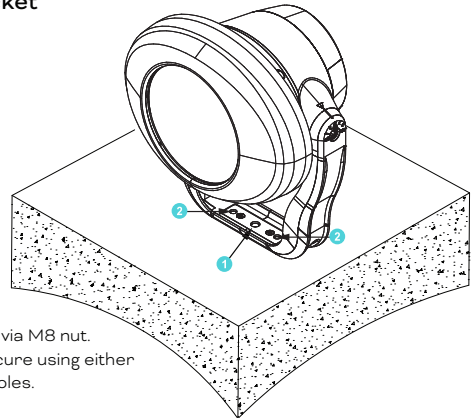
Cable color connection	
Female connector	
Black	Green
White	White
Brown	Yellow
Blue	Blue
Male connector	
White	Green
Black	Black
Yellow	Yellow
Blue	Brown
<ul style="list-style-type: none"> Black: Line White: Neutral Brown: DMX+ Blue: DMX- Green: PG Yellow: Not used 	

Install expansion screws on the fixed surface



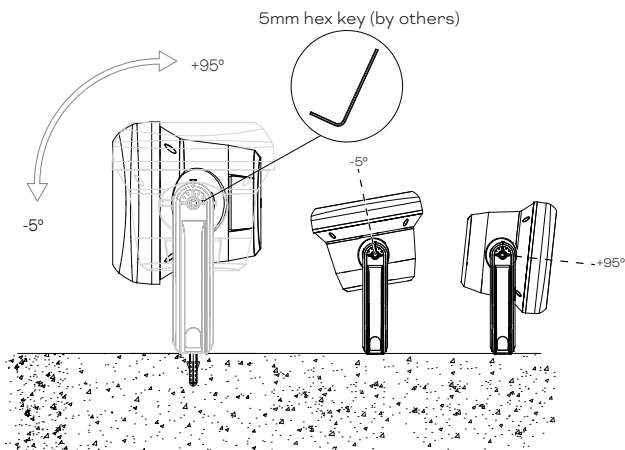
The size of the bracket mounting holes determines the size of the holes to be punched.

Fix the bracket

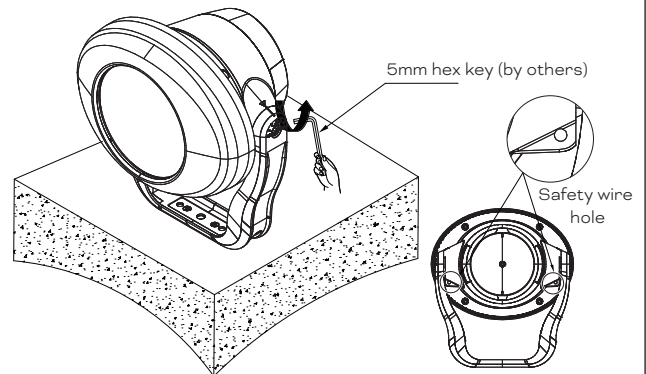


- 1 Fix bracket via M8 nut.
- 2 Further secure using either of the M6 holes. (by others)

Adjust desired angles

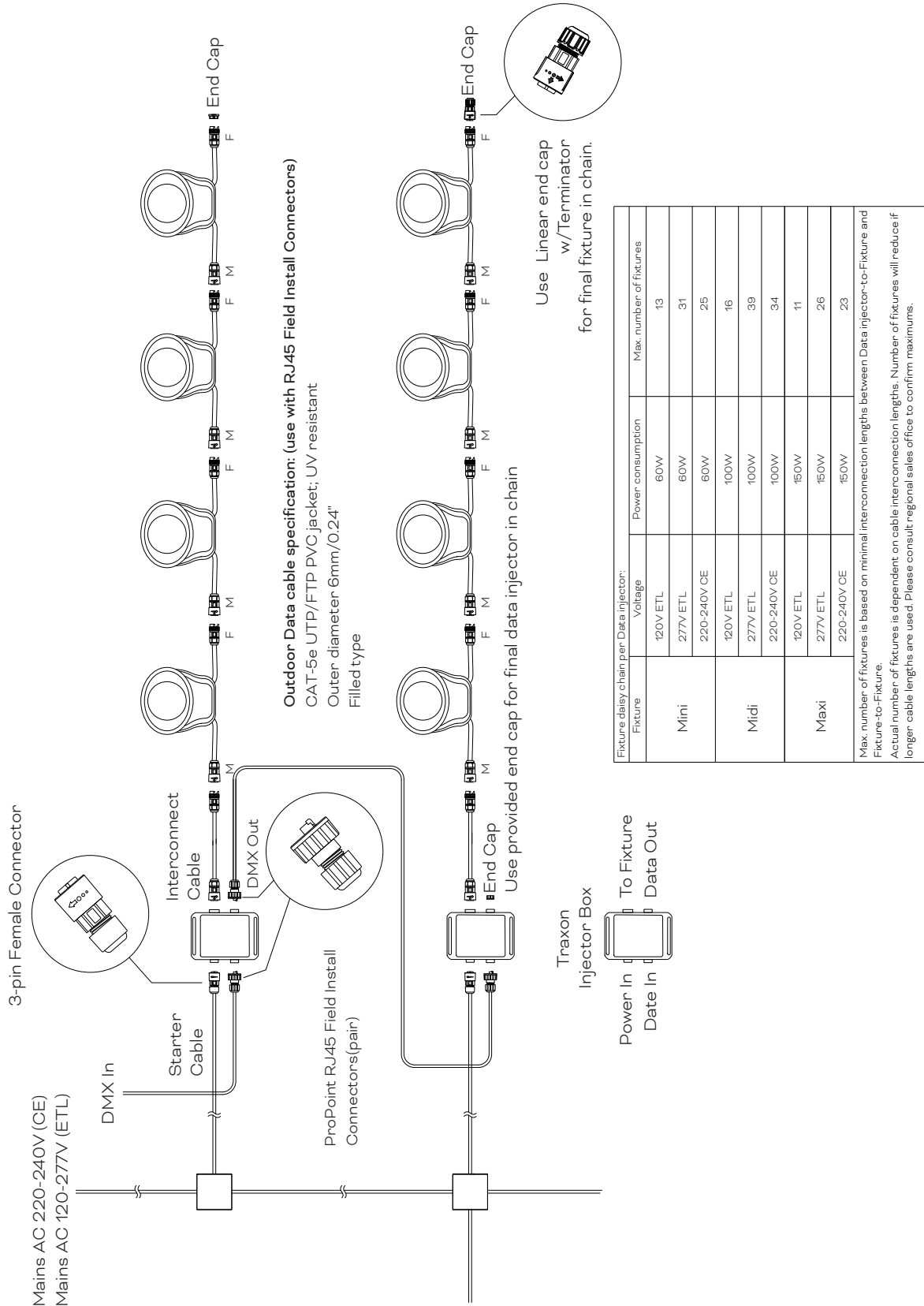


Tighten the bracket bolts to fix the luminaire to the desired angle

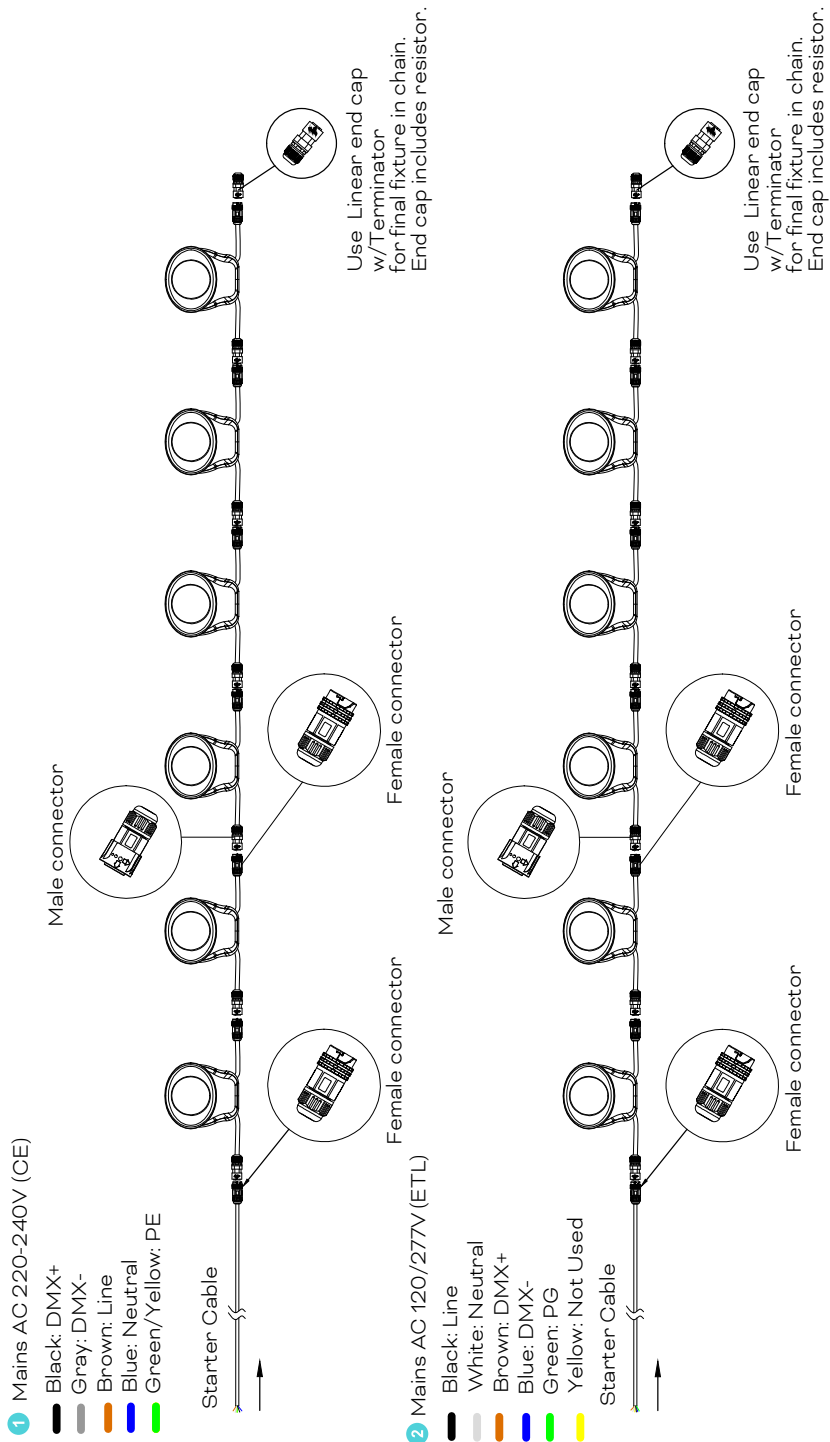


-  The safety wire must be installed to provide secondary protection to prevent fixtures from falling and injuring people.

Wiring Diagram with Injector Box



Wiring Diagram without Injector Box



Fixture daisy chain per Data injector:			
Fixture	Voltage	Power consumption	Max. number of fixtures
Mini	120V ETL	60W	13
	277V ETL	60W	31
	220-240V CE	60W	25
Midi	120V ETL	100W	16
	277V ETL	100W	39
	220-240V CE	100W	34
Maxi	120V ETL	150W	11
	277V ETL	150W	26
	220-240V CE	150W	23

Max. number of fixtures is based on minimal interconnection lengths between Data injector-to-Fixture and Fixture-to-Fixture.
Actual number of fixtures is dependent on cable interconnection lengths. Number of fixtures will reduce if longer cable lengths are used. Please consult regional sales office to confirm maximums.

Washer Pro Mini AC RGBW

Ordering

Model Number

XB	.	WP	.	3	.	2	.	6	.	12	.	9	.	N	.	0	.	4	.	N	.	N	.	0
		Housing Size		DC / AC		Wattage		LED		CCT		Optics		Control		Approbation		Color Finish		Cable / Connector (300mm in&out)				
		3: Mini		2: AC		6: 60W*		12: RGBW		9: 6500K		2: 8°		0: DMX / RDM		4: cETLus		0: TX Gray		2: With CC connector				
												3: 10°						1: Gray		7: Without connector				
												5: 15°						2: Black						
												6: 20°						3: White						
												7: 30°												
												8: 45°												

Desired Model Number:

XB.	WP.	0
------------	------------	----------

*The power can be set in the factory to achieve a fixed maximum power output to match project specifications and environmental targets (Washer Pro Mini: 30W-60W).

Fixtures

Model No.	Description	Item Code
XB.WP.326129204020	WASHER PRO MINI AC 60W RGBW65 8° ETL (CC)	DL23100026055
XB.WP.326129304020	WASHER PRO MINI AC 60W RGBW65 10° ETL (CC)	DL23100026155
XB.WP.326129504020	WASHER PRO MINI AC 60W RGBW65 15° ETL (CC)	DL23100026255
XB.WP.326129604020	WASHER PRO MINI AC 60W RGBW65 20° ETL (CC)	DL23100026355
XB.WP.326129704020	WASHER PRO MINI AC 60W RGBW65 30° ETL (CC)	DL23100026455
XB.WP.326129804020	WASHER PRO MINI AC 60W RGBW65 45° ETL (CC)	DL23100102655
XB.WP.326129204120	WASHER PRO MINI AC 60W RGBW65 8° ETL Gray (CC)	DL23100115855
XB.WP.326129304120	WASHER PRO MINI AC 60W RGBW65 10° ETL Gray (CC)	DL23100115955
XB.WP.326129504120	WASHER PRO MINI AC 60W RGBW65 15° ETL Gray (CC)	DL23100116055
XB.WP.326129604120	WASHER PRO MINI AC 60W RGBW65 20° ETL Gray (CC)	DL23100116155
XB.WP.326129704120	WASHER PRO MINI AC 60W RGBW65 30° ETL Gray (CC)	DL23100116255
XB.WP.326129804120	WASHER PRO MINI AC 60W RGBW65 45° ETL Gray (CC)	DL23100116355
XB.WP.326129204220	WASHER PRO MINI AC 60W RGBW65 8° ETL Black (CC)	DL23100120455
XB.WP.326129304220	WASHER PRO MINI AC 60W RGBW65 10° ETL Black (CC)	DL23100120555
XB.WP.326129504220	WASHER PRO MINI AC 60W RGBW65 15° ETL Black (CC)	DL23100120655
XB.WP.326129604220	WASHER PRO MINI AC 60W RGBW65 20° ETL Black (CC)	DL23100120755
XB.WP.326129704220	WASHER PRO MINI AC 60W RGBW65 30° ETL Black (CC)	DL23100120855
XB.WP.326129804220	WASHER PRO MINI AC 60W RGBW65 45° ETL Black (CC)	DL23100120955
XB.WP.326129204320	WASHER PRO MINI AC 60W RGBW65 8° ETL White (CC)	DL23100125055
XB.WP.326129304320	WASHER PRO MINI AC 60W RGBW65 10° ETL White (CC)	DL23100125155
XB.WP.326129504320	WASHER PRO MINI AC 60W RGBW65 15° ETL White (CC)	DL23100125255
XB.WP.326129604320	WASHER PRO MINI AC 60W RGBW65 20° ETL White (CC)	DL23100125355
XB.WP.326129704320	WASHER PRO MINI AC 60W RGBW65 30° ETL White (CC)	DL23100125455
XB.WP.326129804320	WASHER PRO MINI AC 60W RGBW65 45° ETL White (CC)	DL23100125555

TX Injector

Model No.	Description	Item Code
PP.AC.100001	TX INJECTOR (CC)	AM374890055
PP.AC.100002	TX INJECTOR (CC) BL	AM374900055
PP.AC.100003	TX INJECTOR (CC) WT	AM374910055
PP.AC.400000	TX INJECTOR RJ45 FLD CTRS (PAIR)	AM380560055

Cable/Connector for AC fixture

Model No.	Description	Item Code
PP.A1.303000	3M TX-INJ (CC) POWER INPUT CABLE ETL	AM374840155
KO.KA.601000	1M AL INTERCONNECTION CABLE CC ETL	AM357490055
KO.KA.602000	2M AL INTERCONNECTION CABLE CC ETL	AM357500055
KO.KA.603000	3M AL INTERCONNECTION CABLE CC ETL	AM357510055
KO.KA.610000	10M AL INTERCONNECTION CABLE CC ETL	AM357520055
CA.SC.CC201000	STARTER CABLE CC AC 5-PIN 1M ETL	DA23100149355
CA.SC.CC202000	STARTER CABLE CC AC 5-PIN 2M ETL	DA23100149455
CA.SC.CC203000	STARTER CABLE CC AC 5-PIN 3M ETL	DA23100149555
CA.SC.CC210000	STARTER CABLE CC AC 5-PIN 10M ETL	DA23100149655
PP.AC.600000	AL END CAP W/TERM (CC)	AM380550055

Spread Lens

Model No.	Description	Item Code
WP.SM.303000	W PRO SL KIT 60° MINI	DA23100028655
WP.SM.304000	W PRO SL KIT 60x10° MINI	DA23100029655

Glare Shield

Model No.	Description	Item Code
WP.AG.300000	W PRO GS ANGLED KIT MINI	DA23100030655
WP.FG.300000	W PRO GS FULL KIT MINI	DA23100031455
WP.AG.300100	W PRO GS ANGLED KIT MINI Gray	DA23100150455
WP.FG.300100	W PRO GS FULL KIT MINI Gray	DA23100150955
WP.AG.300200	W PRO GS ANGLED KIT MINI Black	DA23100151455
WP.FG.300200	W PRO GS FULL KIT MINI Black	DA23100151955
WP.AG.300300	W PRO GS ANGLED KIT MINI White	DA23100152455
WP.FG.300300	W PRO GS FULL KIT MINI White	DA23100152955

Rock Guard

Model No.	Description	Item Code
WP.RG.300000	W PRO RG MINI	DA23100032255
WP.RG.300100	W PRO RG MINI Gray	DA23100153255
WP.RG.300200	W PRO RG MINI Black	DA23100153555
WP.RG.300300	W PRO RG MINI White	DA23100153855

Rotatable Mount Plate

Model No.	Description	Item Code
WP.RP.300000	W PRO RP MINI	DA23100032755
WP.RP.300100	W PRO RP MINI Gray	DA23100154355
WP.RP.300200	W PRO RP MINI Black	DA23100154755
WP.RP.300300	W PRO RP MINI White	DA23100155155

Others

Model No.	Description	Item Code
On demand / Coming soon	Post Mount	On demand / Coming soon
On demand / Coming soon	Compression Post Mount	On demand / Coming soon
On demand / Coming soon	Extendable Mounting Arm	On demand / Coming soon
On demand / Coming soon	Pendant Mount	On demand / Coming soon
On demand / Coming soon	Tree Mount	On demand / Coming soon



TRAXON