



TRAXON

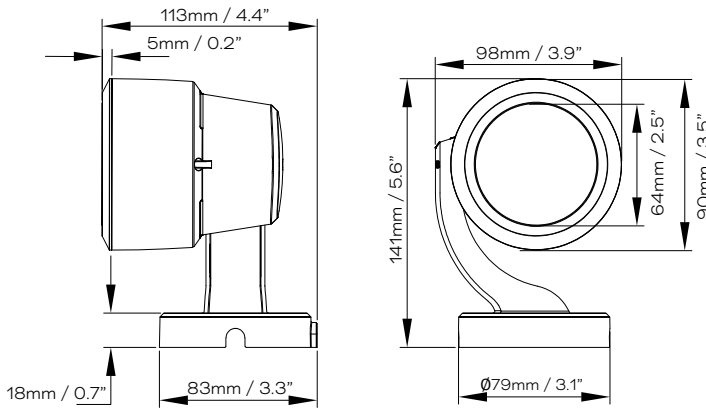
Washer Pro Nano DC RGBW



The Washer Pro Nano DC is part of a new, industry leading Wall Washer family of products producing high brightness, and high color saturation out of an extremely small form. Controlled via DMX512, with RDM, and paired with Traxon's DynaMood® technologies, the Traxon Washer Pro enables a selection of algorithms to define the lighting, and set the emotions of your lighting project.

This product is intended for use in high-quality colored light applications.

Dimensions



TRAXON Pro*

Project: _____

Type: _____



IP66



COAST



DMX 512



ANSI 3G



IK08

Technologies

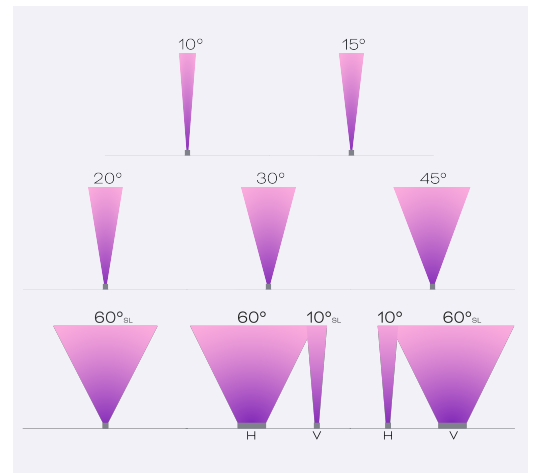
- RDM enabled



Color Options



Beam Angles



Finish



Product Specifications

| | |
|--------------------------------------|---|
| Model | Washer Pro Nano DC RGBW |
| Light Source | 4-in-1 LED x 1 |
| Color Range | RGBW (W=6500K) |
| LED Quantity | RGBW 4-in-1 LED 1pcs |
| Luminous Flux | 553 lm (full on 10°) |
| Candela | 11826 cd (full on 10°) |
| Efficacy | 56 lm/W (full on 10°) |
| CRI | ≥80 |
| Beam Angles ¹ | 10°, 15°, 20°, 30°, 45° native 60°, 60° x 10° (or 10° x 60°) achieved with spread lens |
| Cover Lens | Tempered Glass |
| Housing | Die Cast Aluminum |
| Housing Finish Options ² | Standard color: Traxon Signature Gray (RAL7005) Optional color: Gray (RAL7015), Black (RAL9005), White (RAL9003), Custom |
| Adjustment Options | -5° to + 95° |
| Mounting | Mounting via Yoke arm. Optional mounting accessories are available |
| Dimensions (W x D x H) | 98mm / 3.9" x 113mm / 4.4" x 141mm / 5.6" |
| Weight | 0.72kg / 1.6lbs |
| EPA | Front: 0.15 sq.ft Side: 0.14 sq.ft |
| Regulatory Listing & Safety Approval | CE, UKCA, cETLus, FCC, ANSI C136.31-3G |
| Operating Temperature | -30°C to +55°C (-22°F to +131°F) |
| Minimum Starting Temperature | -20°C (-4°F) |
| Storage Temperature | -40°C to +80°C (-40°F to +176°F) |
| Environment | Outdoor, IP66, IK08, Coastal Environment (ASTM B117-16) |
| Humidity | 85%, non-condensing |

Electrical Specifications

| | |
|--------------------------------|---------------------|
| Input Voltage | 24V DC |
| Power Consumption ³ | 10 W |
| Lumen Maintenance | L70 81000hrs @ 25°C |

System Specifications

| | |
|--|--|
| Power | CE market: LED Engine 24V ETL market: LED Engine 24V (Class 2) |
| Control | DMX 512, RDM Enabled Dynamood Personalities: White balance mode (Default), Equal current mode, 16-bit, RGB, Color balance mode |
| Power Supply | Integrated |
| Maximum number of daisy chain fixture per input power line | 9PCS@24V DC (ETL) with Class 2 PSU 18PCS@24V DC (CE) |

¹ Spread lens assembled on 10° fixture.

² Custom RAL Housing available by request. MOQ and additional costs may apply. Consult with your regional Traxon Office for more information.

³ The power can be set in the factory to achieve a fixed maximum power output to match project specifications and environmental targets (Washer Pro Nano: 10W-12W).

LED CHARACTERISTICS Because LEDs are semiconductor devices, their performances are subject to inherent variability commonly found in semiconductor industry. To improve consistency in performance across the same product, LED manufacturers "sort" LEDs into bins according to different preset parameters, such as forward driving voltage, illumination, etc. Whereas binning is a sorting function, it is not a correction process. Inherent variability in the manufacturing process results always in different binning distributions according to different production lots. Traxon uses automatically binned LEDs on its products, thereby minimizing output variations within the model range.

As with all electronic devices, LED output degrades over time – a term called lumen depreciation. This also explains why it is nearly impossible to expect photometric performances of two LED products with different service life spans to be the same. The rate of LED degrade is a complicated function of many factors such as operating efficiency, duration of continuous operation, and more significantly, environmental conditions (ambient temperature for example). If allowed working under optimal operating temperature range and with good ventilation, LED devices enjoy long service lives over conventional light sources. When using/installing LED devices, care should be taken to ensure that the devices will operate within the operating conditions specified in respective product literature.

This product contains a light source of energy efficiency class G to Regulation (EU) No 2019/2015.

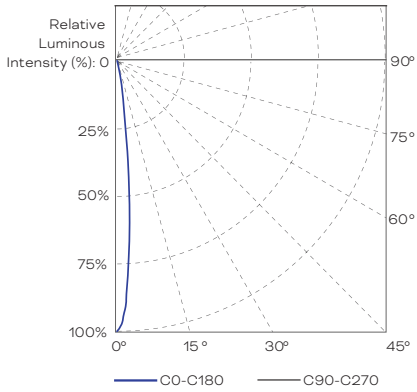
Lumen measurement complies with LM-79-08 standard.

Lumen maintenance is calculated based on LM-80 compliant measurement.

Source Specifications

| | |
|--------|---------------------|
| Source | RGBW 4-in-1 LED × 1 |
| Optics | 10° |

Candela Distribution

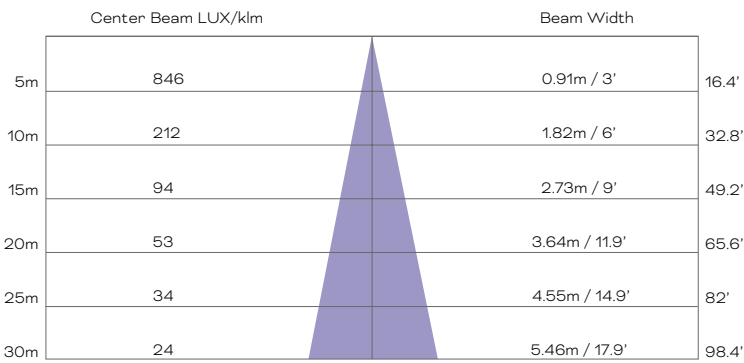


Light Output

| Color | Luminous Flux (lm) | Center Intensity (cd) | Efficacy (lm/W) |
|----------------|--------------------|-----------------------|-----------------|
| RGBW (full-on) | 553 | 11826 | 56 |
| RGB | 313 | 6687 | 48 |
| Red | 97 | 2069 | 35 |
| Green | 225 | 4814 | 48 |
| Blue | 7 | 151 | 4 |
| White | 281 | 6001 | 64 |

Luminaire setting: White-balance mode.

Illuminance at a Distance

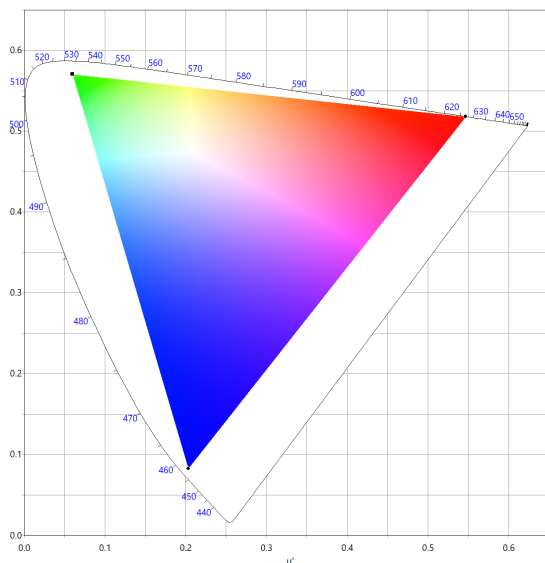


For fo divide by 10.7

■ Horiz.Spread: 10.4°

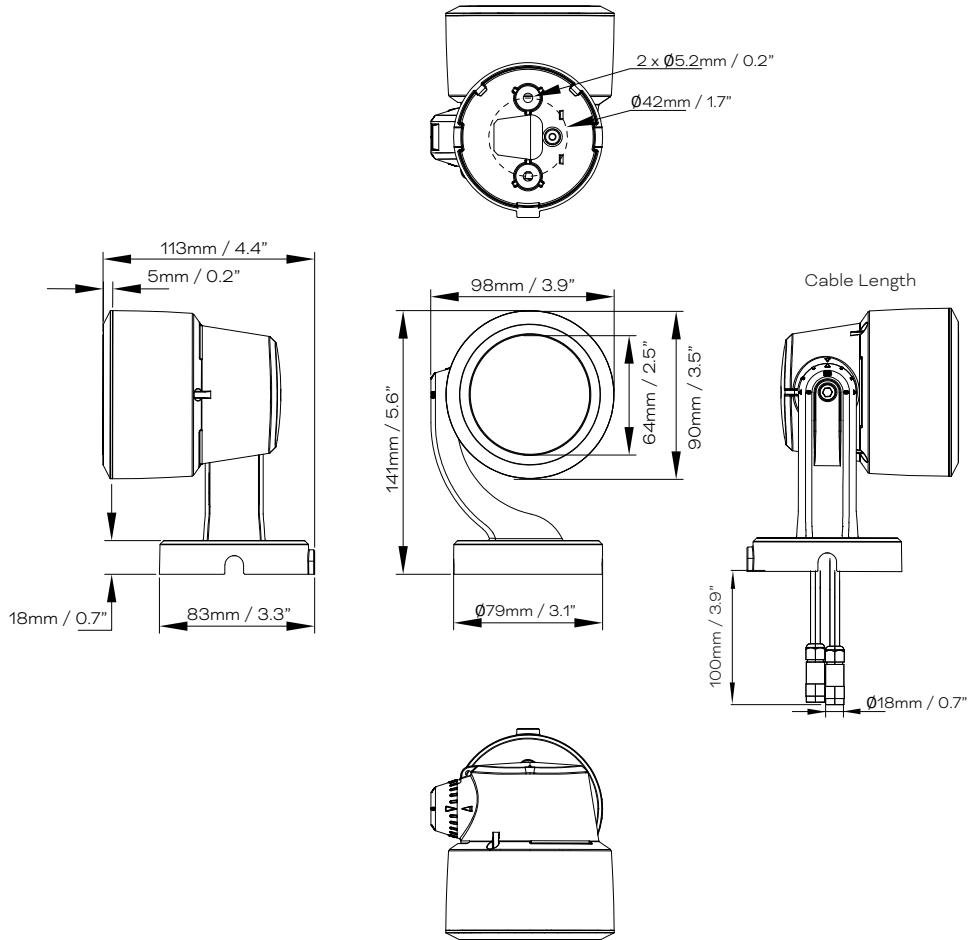
IES and LDT files are available for download from the Traxon website.

RGBW Gamut and Range



| Color | Distance | Illuminance | |
|----------------|-------------|-------------|------|
| | | LUX | FC |
| RGBW (full-on) | 5m / 16.4' | 468 | 44 |
| | 10m / 32.8' | 117 | 11 |
| | 15m / 49.2' | 52 | 5 |
| | 20m / 65.6' | 29 | 3 |
| | 25m / 82' | 19 | 2 |
| RGB | 30m / 98.4' | 13 | 1 |
| | 5m / 16.4' | 265 | 25 |
| | 10m / 32.8' | 66 | 6 |
| | 15m / 49.2' | 29 | 3 |
| | 20m / 65.6' | 17 | 2 |
| Red | 25m / 82' | 11 | 1 |
| | 30m / 98.4' | 8 | 0.7 |
| | 5m / 16.4' | 82 | 8 |
| | 10m / 32.8' | 21 | 2 |
| | 15m / 49.2' | 9 | 1 |
| Green | 20m / 65.6' | 5 | 0.5 |
| | 25m / 82' | 3 | 0.3 |
| | 30m / 98.4' | 2 | 0.2 |
| | 5m / 16.4' | 190 | 18 |
| | 10m / 32.8' | 48 | 4 |
| Blue | 15m / 49.2' | 21 | 2 |
| | 20m / 65.6' | 12 | 1 |
| | 25m / 82' | 8 | 0.7 |
| | 30m / 98.4' | 5 | 0.5 |
| | White | 5m / 16.4' | 6 |
| 10m / 32.8' | | 1 | 0.1 |
| 15m / 49.2' | | 0.7 | 0.07 |
| 20m / 65.6' | | 0.4 | 0.04 |
| 25m / 82' | | 0.24 | 0.02 |
| White | 30m / 98.4' | 0.17 | 0.02 |
| | 5m / 16.4' | 238 | 22 |
| | 10m / 32.8' | 60 | 6 |
| | 15m / 49.2' | 26 | 2 |
| | 20m / 65.6' | 15 | 1 |
| White | 25m / 82' | 10 | 0.9 |
| | 30m / 98.4' | 7 | 0.7 |

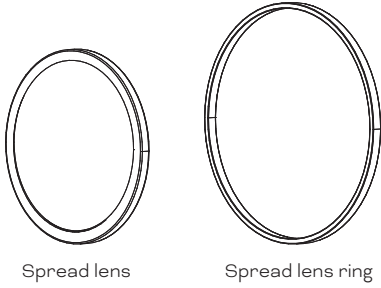
Fixture Dimensions



Optical Accessories

Spread Lens Kit

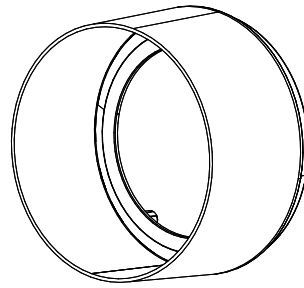
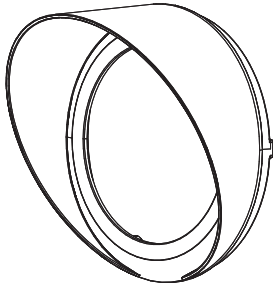
Washer Pro Spread Lens Kit 60° Nano (WP.SM.103000)
 Washer Pro Spread Lens Kit 60x10° Nano (WP.SM.104000)



Glare Shield

Washer Pro Glare Shield Angled Kit Nano (WP.AG.100000)

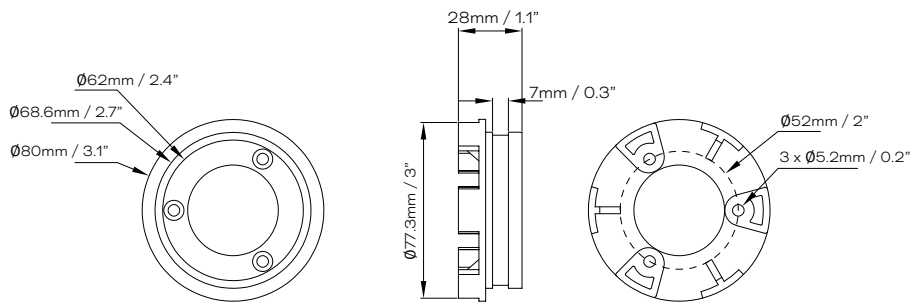
Washer Pro Glare Shield Full Kit Nano (WP.FG.100000)



Mounting Accessories

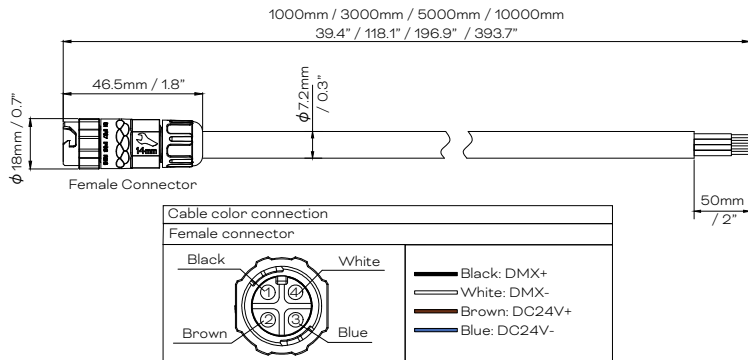
Rotatable Mount Plate

Washer Pro Rotatable Mount Plate Nano (WP.RP.100000)

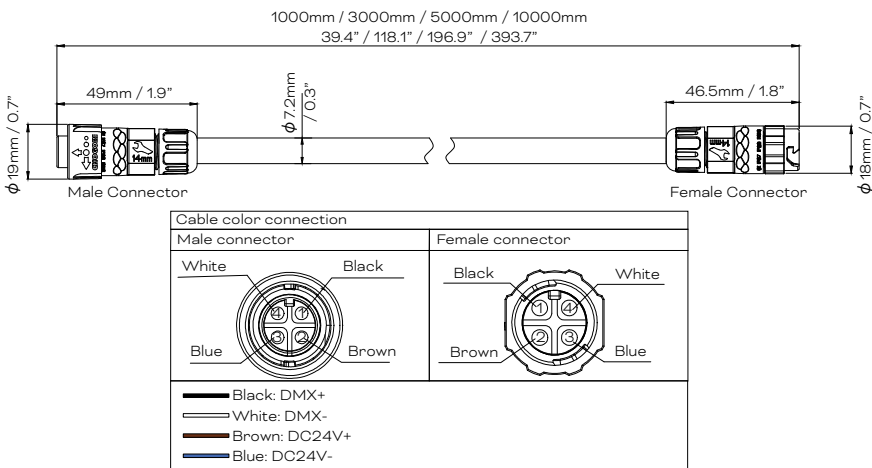


Connection Accessories

Starter Cable CC DC (CE & ETL) (CA.SC.CC101000 / CA.SC.CC103000 / CA.SC.CC105000 / CA.SC.CC110000)

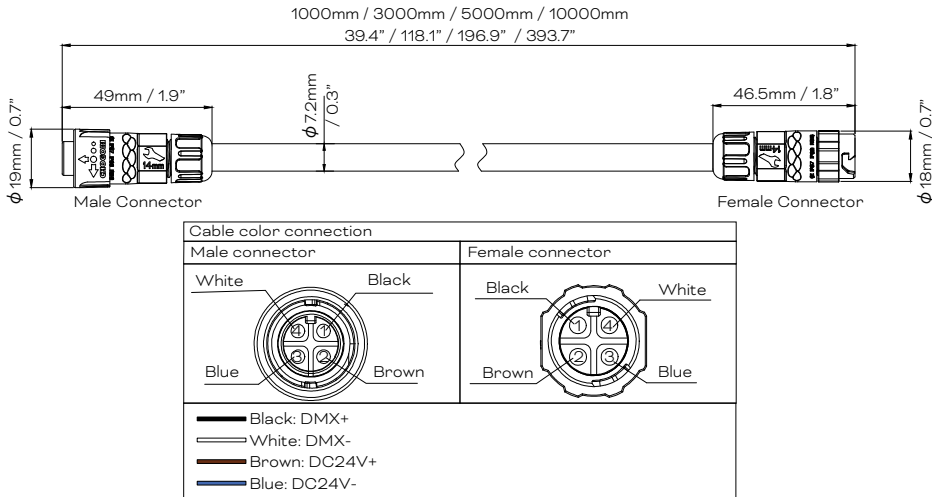


Interconnection Cable CC DC (CE & ETL) (CA.IC.CC101000 / CA.IC.CC103000 / CA.IC.CC105000 / CA.IC.CC110000)

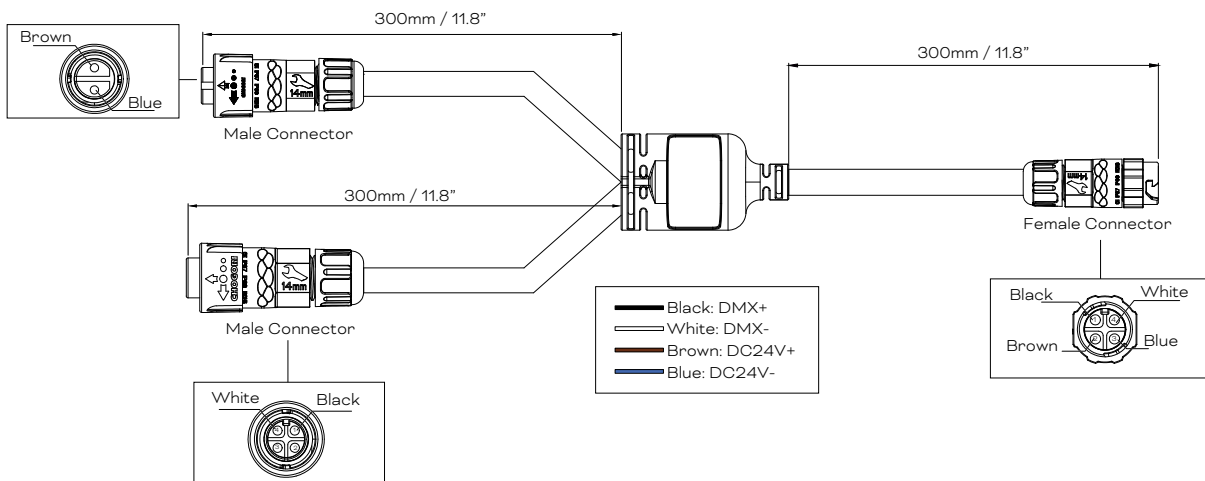


Connection Accessories

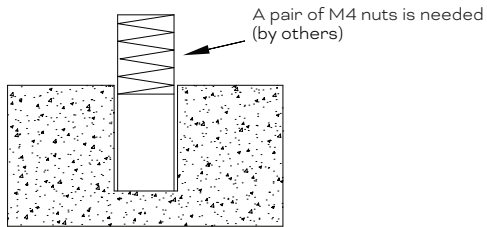
Interconnection Cable CC DC (CE & ETL) (CA.IC.CC101000 / CA.IC.CC103000 / CA.IC.CC105000 / CA.IC.CC110000)



Power Injector Cable CC DC (CE & ETL) (CA.PI.CC100000)

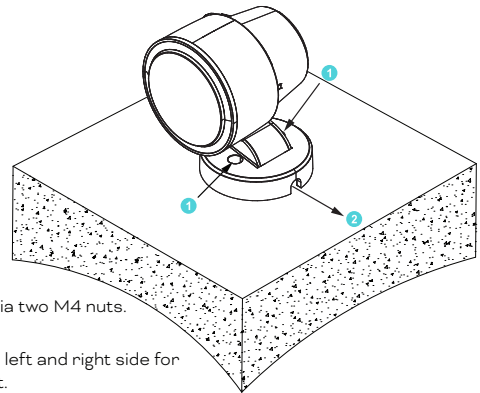


Install expansion screws on the fixed surface



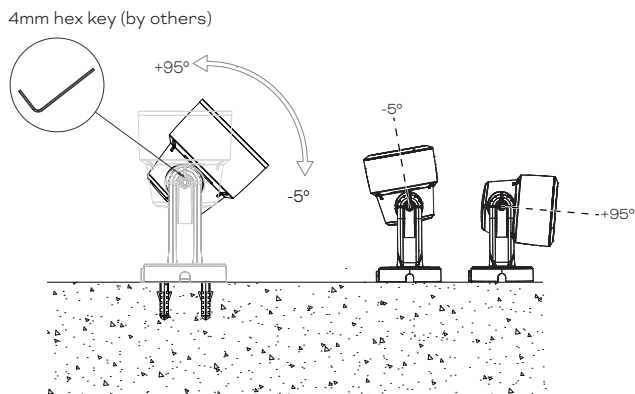
The size of the bracket mounting holes determines the size of the holes to be punched.

Fix the bracket

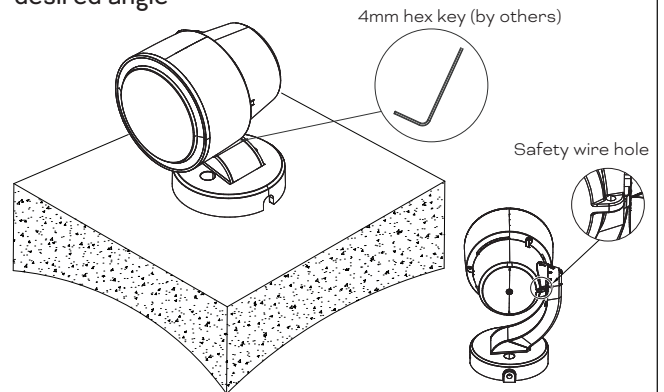


- 1 Fix bracket via two M4 nuts. (by others)
- 2 Holes on the left and right side for cable in / out.

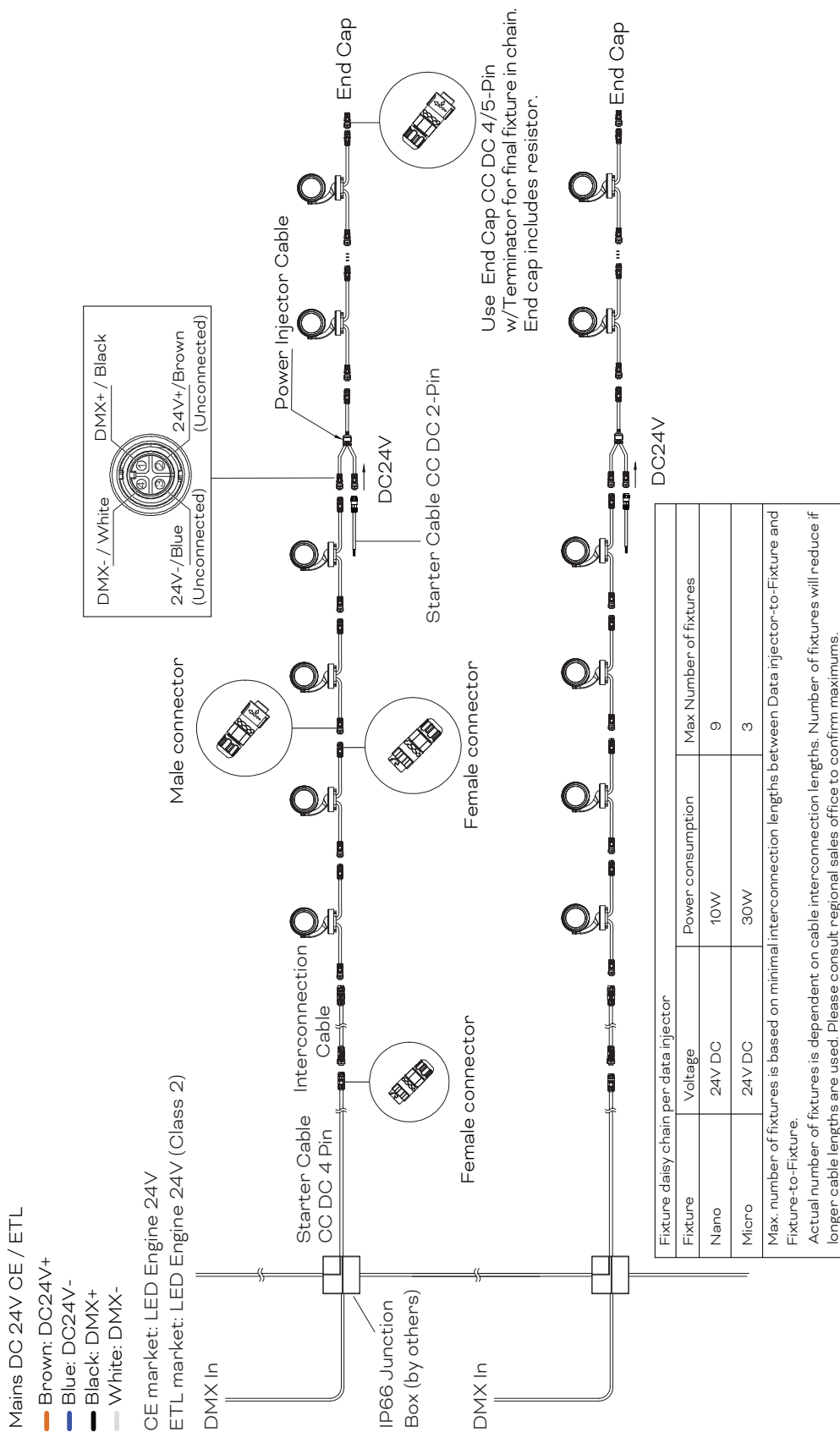
Adjust desired angles



Tighten the bracket bolts to fix the luminaire to the desired angle



! The safety wire must be installed to provide secondary protection to prevent fixtures from falling and injuring people.



Washer Pro Nano DC RGBW

Ordering

Model Number

| | | | | | | | | | | | | | | | | | | | | | | | | |
|-----------|----------|--------------|----------|-----------|----------|----------|----------|----------|----------|-----------|----------|----------|----------|--------------|----------|----------------|----------|--------------|----------|----------|----------|----------|----------|----------|
| XB | . | WP | . | 1 | . | 1 | . | 1 | . | 12 | . | 9 | . | N | . | 0 | . | 0 | . | N | . | 1 | . | 0 |
| | | Housing Size | | DC / AC | | Wattage | | LED | | CCT | | Optics | | Control | | Approbation | | Color Finish | | | | | | |
| | | 1: Nano | | 1: DC 24V | | 1: 10W* | | 12: RGBW | | 9: 6500K | | 3: 10° | | 0: DMX / RDM | | 0: CE & cETLus | | 0: TX Gray | | | | | | |
| | | | | | | | | | | | | 5: 15° | | | | | | 1: Gray | | | | | | |
| | | | | | | | | | | | | 6: 20° | | | | | | 2: Black | | | | | | |
| | | | | | | | | | | | | 7: 30° | | | | | | 3: White | | | | | | |
| | | | | | | | | | | | | 8: 45° | | | | | | | | | | | | |

Desired Model Number:

| | | | | | | |
|-----------|----------|-----------|----------|----------|----------|----------|
| XB | . | WP | . | 1 | . | 0 |
|-----------|----------|-----------|----------|----------|----------|----------|

*The power can be set in the factory to achieve a fixed maximum power output to match project specifications and environmental targets (Washer Pro Nano: 10W-12W).

Fixtures

| Model No. | Description | Item Code |
|--------------------|--|---------------|
| XB.WP.111129300010 | WASHER PRO NANO DC 10W RGBW65 10° (CC) | DL23100023755 |
| XB.WP.111129500010 | WASHER PRO NANO DC 10W RGBW65 15° (CC) | DL23100023855 |
| XB.WP.111129600010 | WASHER PRO NANO DC 10W RGBW65 20° (CC) | DL23100023955 |
| XB.WP.111129700010 | WASHER PRO NANO DC 10W RGBW65 30° (CC) | DL23100024055 |
| XB.WP.111129800010 | WASHER PRO NANO DC 10W RGBW65 45° (CC) | DL23100102155 |
| XB.WP.111129300110 | WASHER PRO NANO DC 10W RGBW65 10° Gray (CC) | DL23100113055 |
| XB.WP.111129500110 | WASHER PRO NANO DC 10W RGBW65 15° Gray (CC) | DL23100113155 |
| XB.WP.111129600110 | WASHER PRO NANO DC 10W RGBW65 20° Gray (CC) | DL23100113255 |
| XB.WP.111129700110 | WASHER PRO NANO DC 10W RGBW65 30° Gray (CC) | DL23100113355 |
| XB.WP.111129800110 | WASHER PRO NANO DC 10W RGBW65 45° Gray (CC) | DL23100113455 |
| XB.WP.111129300210 | WASHER PRO NANO DC 10W RGBW65 10° Black (CC) | DL23100117655 |
| XB.WP.111129500210 | WASHER PRO NANO DC 10W RGBW65 15° Black (CC) | DL23100117755 |
| XB.WP.111129600210 | WASHER PRO NANO DC 10W RGBW65 20° Black (CC) | DL23100117855 |
| XB.WP.111129700210 | WASHER PRO NANO DC 10W RGBW65 30° Black (CC) | DL23100117955 |
| XB.WP.111129800210 | WASHER PRO NANO DC 10W RGBW65 45° Black (CC) | DL23100118055 |
| XB.WP.111129300310 | WASHER PRO NANO DC 10W RGBW65 10° White (CC) | DL23100122255 |
| XB.WP.111129500310 | WASHER PRO NANO DC 10W RGBW65 15° White (CC) | DL23100122355 |
| XB.WP.111129600310 | WASHER PRO NANO DC 10W RGBW65 20° White (CC) | DL23100122455 |
| XB.WP.111129700310 | WASHER PRO NANO DC 10W RGBW65 30° White (CC) | DL23100122555 |
| XB.WP.111129800310 | WASHER PRO NANO DC 10W RGBW65 45° White (CC) | DL23100122655 |

Cable/Connector for DC fixture

| Model No. | Description | Item Code |
|----------------|-------------------------------|---------------|
| CA.SC.CC101000 | STARTER CABLE CC DC 4-PIN 1M | DA23100027555 |
| CA.SC.CC103000 | STARTER CABLE CC DC 4-PIN 3M | DA23100027655 |
| CA.SC.CC105000 | STARTER CABLE CC DC 4-PIN 5M | DA23100027755 |
| CA.SC.CC110000 | STARTER CABLE CC DC 4-PIN 10M | DA23100027855 |
| CA.SC.CC401000 | STARTER CABLE CC DC 2-PIN 1M | DA23100166455 |
| CA.SC.CC403000 | STARTER CABLE CC DC 2-PIN 3M | DA23100166555 |
| CA.SC.CC405000 | STARTER CABLE CC DC 2-PIN 5M | DA23100166655 |
| CA.SC.CC410000 | STARTER CABLE CC DC 2-PIN 10M | DA23100166755 |

Cable/Connector for DC fixture

| Model No. | Description | Item Code |
|----------------|---------------------------------------|---------------|
| CA.IC.CC101000 | INTERCONNECTION CABLE CC DC 4-PIN 1M | DA23100027955 |
| CA.IC.CC103000 | INTERCONNECTION CABLE CC DC 4-PIN 3M | DA23100028055 |
| CA.IC.CC105000 | INTERCONNECTION CABLE CC DC 4-PIN 5M | DA23100028155 |
| CA.IC.CC110000 | INTERCONNECTION CABLE CC DC 4-PIN 10M | DA23100028255 |
| CA.PI.CC100000 | POWER INJECTOR CABLE CC DC 4-PIN | DA23100150155 |
| CA.EC.CC100000 | END CAP CC DC 4/5-PIN W/TERM | DA23100028355 |

Spread Lens

| Model No. | Description | Item Code |
|--------------|--------------------------|---------------|
| WP.SM.103000 | W PRO SL KIT 60° NANO | DA23100028455 |
| WP.SM.104000 | W PRO SL KIT 60x10° NANO | DA23100029455 |

Glare Shield

| Model No. | Description | Item Code |
|--------------|----------------------------------|---------------|
| WP.AG.100000 | W PRO GS ANGLED NANO COVER | DA23100030455 |
| WP.FG.100000 | W PRO GS FULL NANO COVER | DA23100031255 |
| WP.AG.100100 | W PRO GS ANGLED NANO COVER Gray | DA23100150255 |
| WP.FG.100100 | W PRO GS FULL NANO COVER Gray | DA23100150755 |
| WP.AG.100200 | W PRO GS ANGLED NANO COVER Black | DA23100151255 |
| WP.FG.100200 | W PRO GS FULL NANO COVER Black | DA23100151755 |
| WP.AG.100300 | W PRO GS ANGLED NANO COVER White | DA23100152255 |
| WP.FG.100300 | W PRO GS FULL NANO COVER White | DA23100152755 |

Rotatable Mount Plate

| Model No. | Description | Item Code |
|--------------|---------------------|---------------|
| WP.RP.100000 | W PRO RP NANO | DA23100032555 |
| WP.RP.100100 | W PRO RP NANO Gray | DA23100154155 |
| WP.RP.100200 | W PRO RP NANO Black | DA23100154555 |
| WP.RP.100300 | W PRO RP NANO White | DA23100154955 |

Others

| Model No. | Description | Item Code |
|-------------------------|-------------------------|-------------------------|
| On demand / Coming soon | Post Mount | On demand / Coming soon |
| On demand / Coming soon | Compression Post Mount | On demand / Coming soon |
| On demand / Coming soon | Extendable Mounting Arm | On demand / Coming soon |
| On demand / Coming soon | Pendant Mount | On demand / Coming soon |
| On demand / Coming soon | Tree Mount | On demand / Coming soon |

