



TRAXON

Media Dot Go M



TRAXON Go⁺

Project: _____

Type: _____



IP67



COAST



DMX 512



ANSI 3G



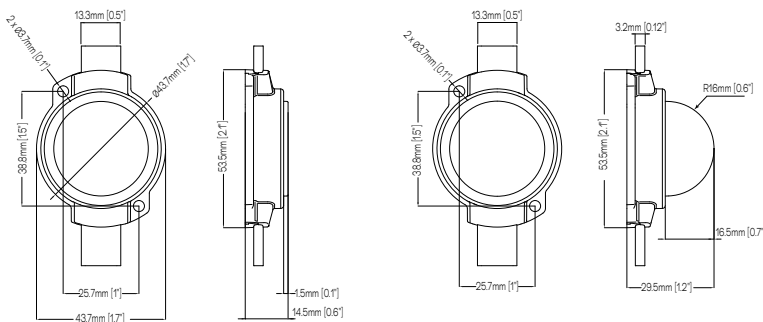
IK06

Media Dot Go is an easy, affordable way to create pixel controlled full-color effects on walls, buildings, monuments—anywhere you can imagine. Long strings of individually controlled Dots produce bright color-changing effects, messages, or even video! 3 dot sizes mean you control the impact: long-distance viewing, creating a digital sign, or backlighting a wall can be done indoors or outdoors. Mounting ease & flexibility is guaranteed, whether directly to surface by screws, cable ties, clips or with Traxon's Mesh Mounting System.

Features

- Standard Pitch options of 4", 6" and 12" (100mm, 150mm and 300mm)
- Customizable Pixel Pitch from 80mm / 3.1" to 2000mm / 78.7"
- Diffused View and Direct View
- DMX512
- Daisy Chain System with quick lock connectors
- Manual-Addressing with TX Smart Addresser
- IP67, Suitable for Coastal Environment, IK06 and 3G Vibration Resistant
- Cut in the field to match project needs*

Dimensions



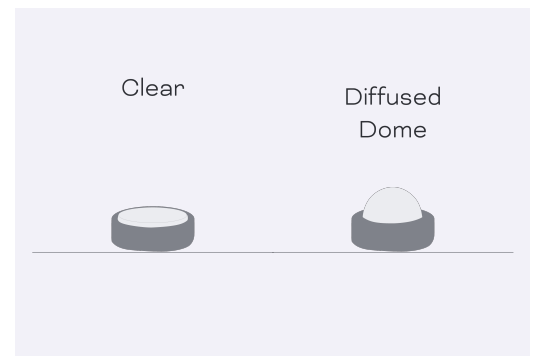
Technologies

- Manual-addressing with TX Smart Addresser
- DMX512
- 4K Hz PWM refresh rate

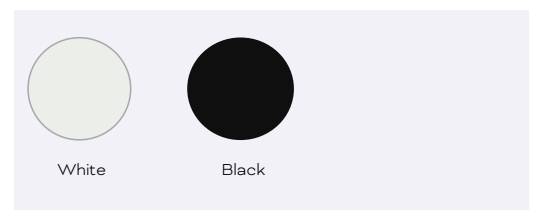
Color Options



Lens Options



Finish



* Please see the installation guide for details.

Product Specifications

	Direct View		Diffused View	
	RGBW	RGB	RGBW	RGB
Max Pixels	42 pixels	57 pixels	42 pixels	57 pixels
Light Source	6 RGB + 3 White	6 RGB	6 RGB + 3 White	6 RGB
Color Range	16.7 Million additive RGB colors, White 6500K			
Color Resolution	16-Bit Grayscale, Gamma 2.0			
Refresh Rate	PWM 4k Hz			
Beam Angle	110°		150°	
Luminous Flux (full-on)	71.1 lm	44.8 lm	54.8 lm	35.2 lm
Efficacy (full-on)	39.5 lm/W	29.9 lm/W	30.4 lm/W	23.5 lm/W
Pixel Pitch	4", 6" and 12" (100mm, 150mm and 300mm) Standard 80mm / 3.1" - 2000mm / 78.7", Standard: 150mm / 5.9"			
Cover Lens	Flat Clear PC cover		Dome Diffused PC Cover	
Housing	UV resistant polycarbonate			
Housing Finish Options	White or Black			
Mounting	Fixed Surface Mount			
Dimensions (W x L x H)	43.7mm / 1.7" x 53.5mm / 2.1" x 14.5mm / 0.6"		43.7mm / 1.7" x 53.5mm / 2.1" x 29.5mm / 1.2"	
Weight	18.5g / 0.04lb			
Regulatory Listing & Safety Approval	cETLus, FCC, ANSI C136.31 - 3G			
Operating Temperature	-30°C to +50°C (-22°F to +122°F)			
Storage Temperature	-40°C to +70°C (-40°F to +158°F)			
Environment	Outdoor, IP67, IK06, Suitable for Coastal Environment, 3G Vibration Resistant			
Humidity	10% - 90%, non-condensing			

Electrical Specifications

Input Voltage	24V DC			
Power Consumption*	1.8W	1.5W	1.8W	1.5W
Lumen Maintenance	L70 50000hrs @ 25°C			

System Specifications

Control	DMX 512
Power Supply	LED Engine 24V Outdoor
Addressing Options	Manual-Addressing with TX Smart Addresser
Fixture Interconnection	See System Diagram

*Measurement per dot. Specification is subject to change due to continuous improvement.

LED CHARACTERISTICS Because LEDs are semiconductor devices, their performances are subject to inherent variability commonly found in semiconductor industry. To improve consistency in performance across the same product, LED manufacturers "sort" LEDs into bins according to different preset parameters, such as forward driving voltage, illumination, etc. Whereas binning is a sorting function, it is not a correction process. Inherent variability in the manufacturing process results always in different binning distributions according to different production lots. Traxon uses automatically binned LEDs on its products, thereby minimizing output variations within the model range.

As with all electronic devices, LED output degrades over time - a term called lumen depreciation. This also explains why it is nearly impossible to expect photometric performances of two LED products with different service life spans to be the same. The rate of LED degrade is a complex function of many factors such as operating efficiency, duration of continuous operation, and more significantly, environmental conditions (ambient temperature for example). If allowed working under optimal operating temperature range and with good ventilation, LED devices enjoy long service lives over conventional light sources. When using/installing LED devices, care should be taken to ensure that the devices will operate within the operating conditions specified in respective product literature.

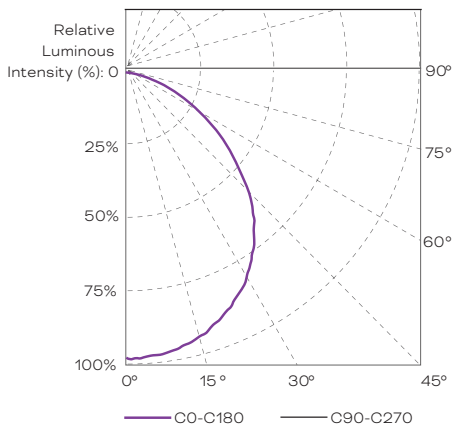
Lumen measurement complies with LM-79-08 standard.
Lumen maintenance is calculated based on LM-80 compliant measurement.

Source Specifications

Direct View

Optics 110°

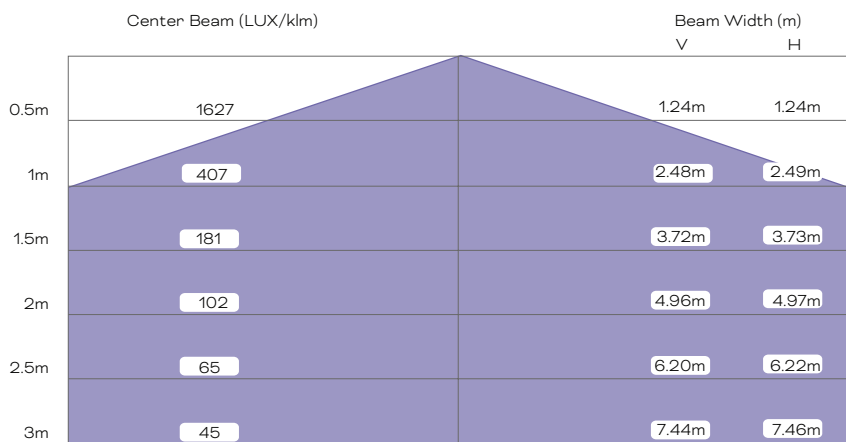
Candela Distribution



Light Output

Color	Luminous Flux (lm)	Center Intensity (cd)	Efficacy (lm/W)
RGBW (full-on)	71.1	27.9	39.5
RGB	36.4	14.3	25.8
Red	9.2	3.6	14.9
Green	21.9	8.6	35.4
Blue	5.3	2.1	8.5
White	34.7	13.6	56.0
RGB (full-on)	44.8	18.0	29.9
Red	11.7	4.7	17.4
Green	26.7	10.7	39.9
Blue	6.4	2.6	9.5

Illuminance at a Distance



- Horiz. Spread: 102.4°
- Vert. Spread: 102.2°

For fc divide by 10.7

IES and LDT files are available for download from the Traxon website.

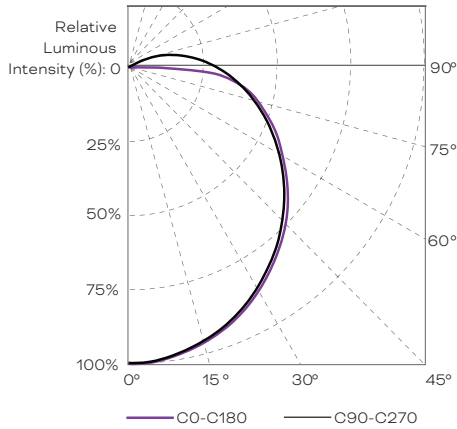
For feet multiply by 3.28

Source Specifications

Diffused View

Optics 150°

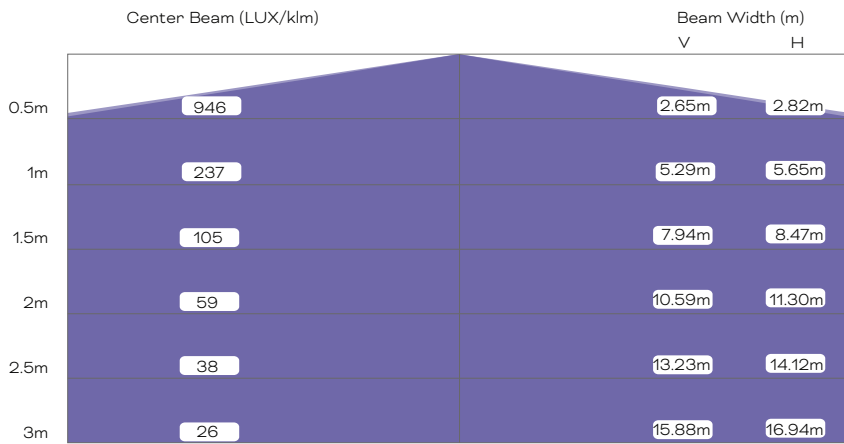
Candela Distribution



Light Output

Color	Luminous Flux (lm)	Center Intensity (cd)	Efficacy (lm/W)
RGBW (full-on)	54.8	11.8	30.4
RGB	28.0	6.1	19.9
Red	7.1	1.5	11.5
Green	16.9	3.6	27.2
Blue	4.1	0.9	6.5
White	26.7	5.8	43.1
RGB (full-on)	35.2	7.5	23.5
Red	9.2	2.0	13.7
Green	21.0	4.5	31.4
Blue	5.0	1.1	7.5

Illuminance at a Distance



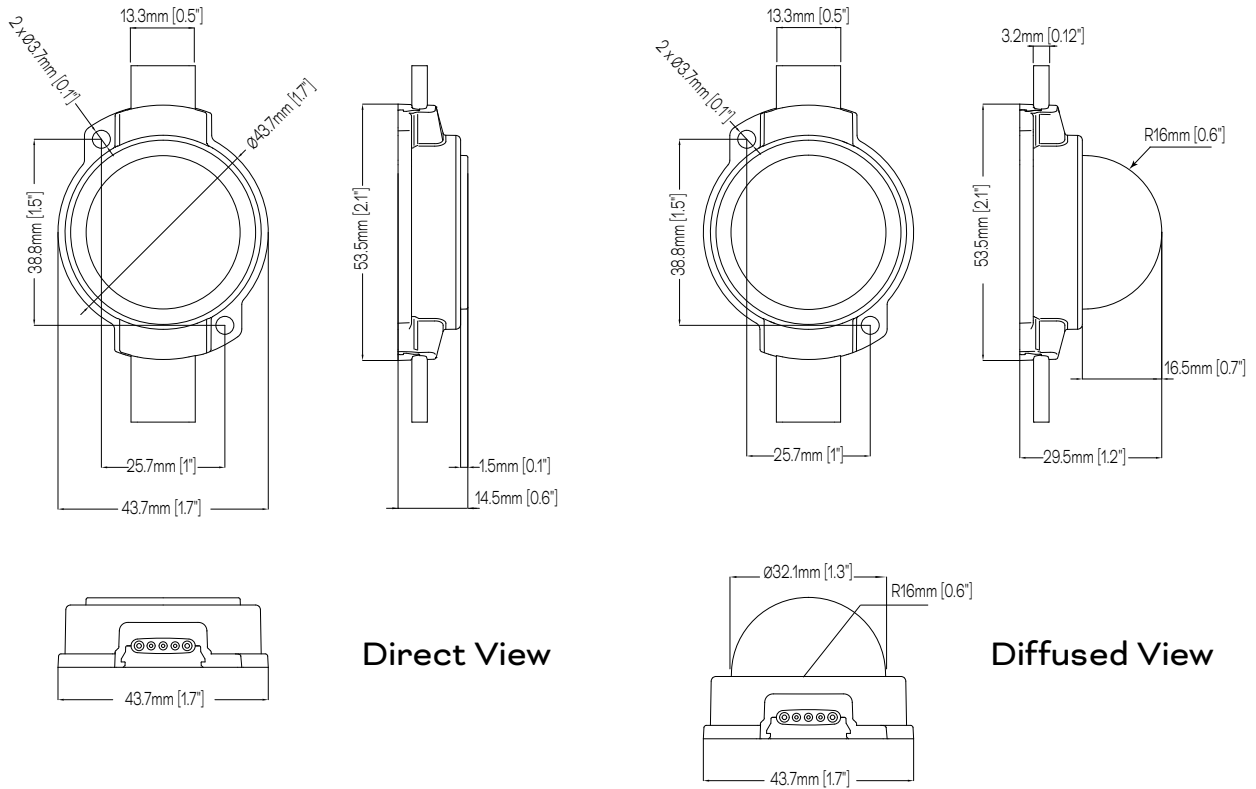
- Horiz. Spread: 141.0°
- Vert. Spread: 138.6°

For fc divide by 10.7

IES and LDT files are available for download from the Traxon website.

For feet multiply by 3.28

Fixture Dimensions



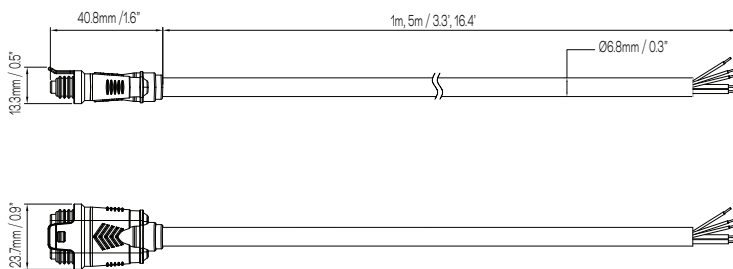
Direct View

Diffused View

Accessories Dimensions

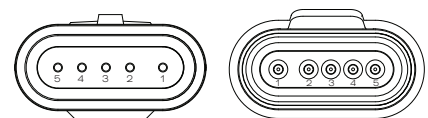
Starter Cable 1m / 3.3' (DA23100131055)

Starter Cable 5m / 16.4' (DA23100131155)



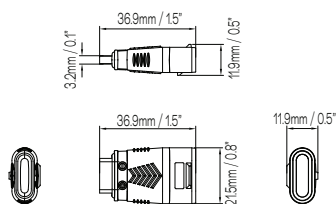
Connector Pin Assignment

Input Output



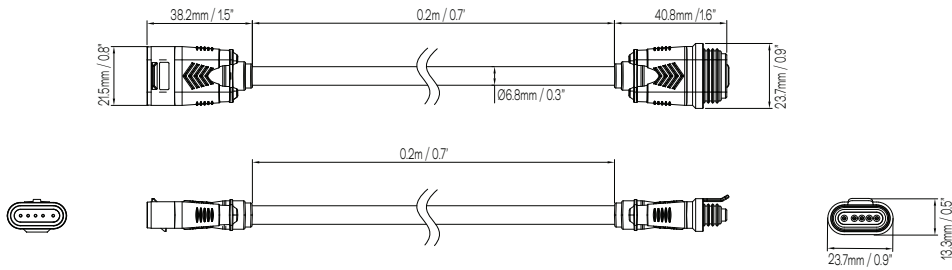
Wire#	Description	Color
1	Power+	Red
2	DMX-	Yellow
3	DMX+	Blue
4	Address	Green
5	Power-	Black

End Cap (DA23100131255)

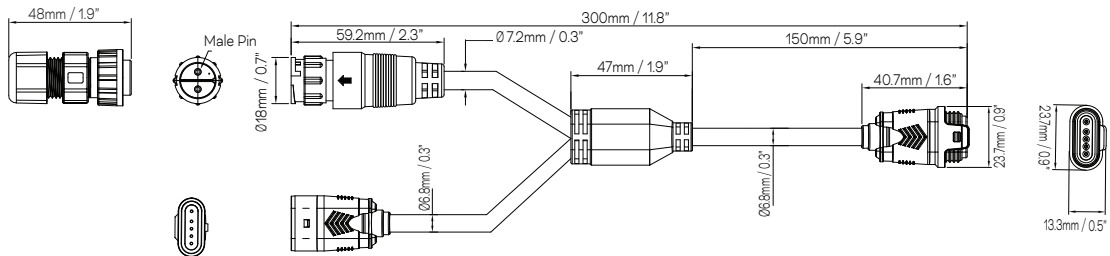


Accessories Dimensions

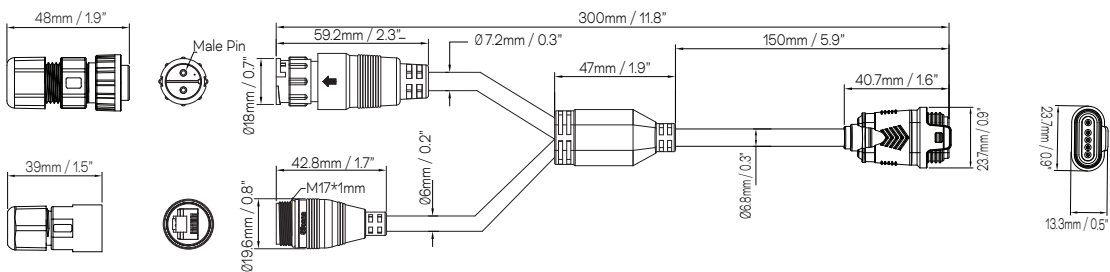
Interconnection Cable (DA23100131355)



Power Injector Cable Kit (DA23100131455)

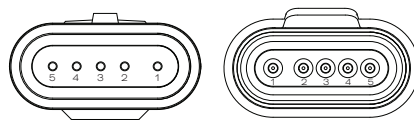


Power RJ45 Cable Kit (DA23100131555)



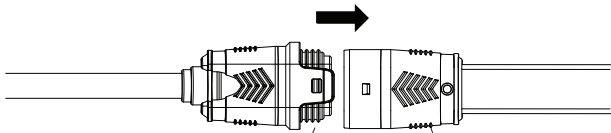
Connector Pin Assignment

Input Output

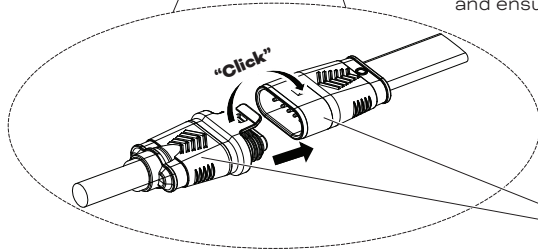


Wire#	Description	Color
1	Power+	Red
2	DMX-	Yellow
3	DMX+	Blue
4	Address	Green
5	Power-	Black

Cable Connection

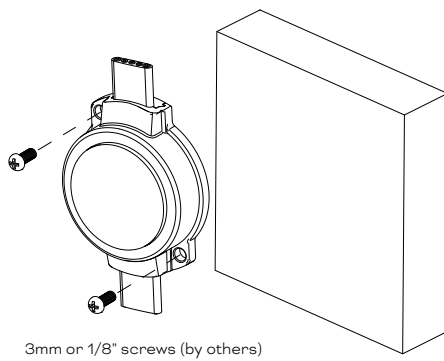


If you do not hear the “click”, pull connector manually to lock the connectors and ensure that they are properly mated to protect from water ingress.

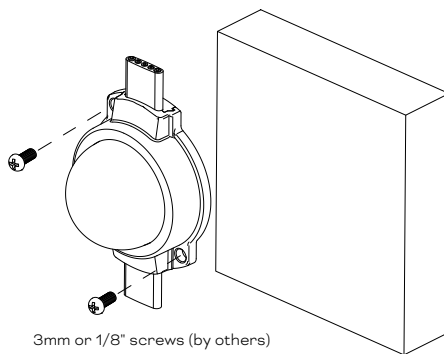
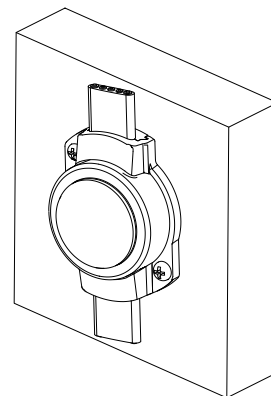


Please note the direction of connection. Do not connect in reverse.

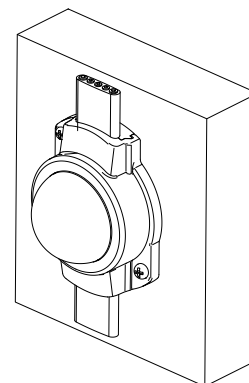
Dot Mounting

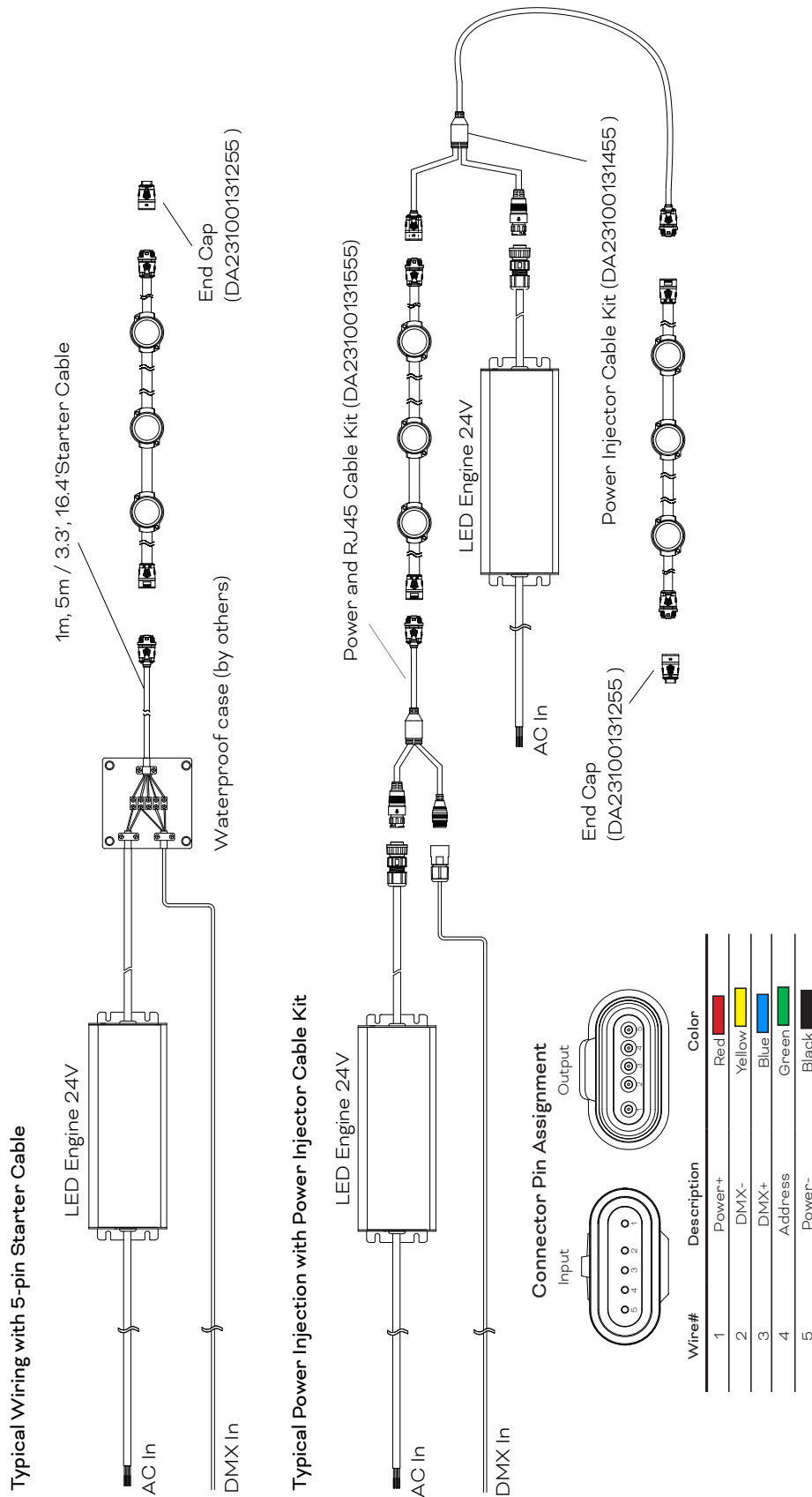


Direct View



Diffused View





The Address wire only need to be connected during address configuration, it is not needed during operation. This wiring diagram shows only typical connections. Actual wiring depends on Media Dot Go configuration and installation. Actual no. vary according to cable lengths and signal source. Please consult your local Traxon office for aid.

Fixtures Model Number

DO	GM	N	N	N	1	0	N	0
		LED Combination	Cover Type	Housing Color			Option	
		1: RGBW (6500K)	1: Clear Cover	1: White			4: RGBW / 42PXL / 4"	
		2: RGB	2: Diffused Dome	2: Black			5: RGBW / 42PXL / 6"	
							6: RGBW / 42PXL / 12"	
							7: RGB / 56PXL / 4"	
							8: RGB / 56PXL / 6"	
							9: RGB / 56PXL / 12"	

Desired Model Number:

DO	GM	1	0	0
----	----	---	---	---

Fixtures

Model No.	Description	Item Code
DO.GM.1111040	Media Dot Go M RGBW Clear 42PXL 100PP 0.3M White 24V ETL	DL23100294255
DO.GM.1111050	Media Dot Go M RGBW Clear 42PXL 150PP 0.3M White 24V ETL	DL23100294355
DO.GM.1111060	Media Dot Go M RGBW Clear 42PXL 300PP 0.3M White 24V ETL	DL23100294455
DO.GM.1211040	Media Dot Go M RGBW Dome 42PXL 100PP 0.3M White 24V ETL	DL23100294555
DO.GM.1211050	Media Dot Go M RGBW Dome 42PXL 150PP 0.3M White 24V ETL	DL23100294655
DO.GM.1211060	Media Dot Go M RGBW Dome 42PXL 300PP 0.3M White 24V ETL	DL23100294755
DO.GM.1121040	Media Dot Go M RGBW Clear 42PXL 100PP 0.3M Black 24V ETL	DL23100294855
DO.GM.1121050	Media Dot Go M RGBW Clear 42PXL 150PP 0.3M Black 24V ETL	DL23100294955
DO.GM.1121060	Media Dot Go M RGBW Clear 42PXL 300PP 0.3M Black 24V ETL	DL23100295055
DO.GM.1221040	Media Dot Go M RGBW Dome 42PXL 100PP 0.3M Black 24V ETL	DL23100295155
DO.GM.1221050	Media Dot Go M RGBW Dome 42PXL 150PP 0.3M Black 24V ETL	DL23100295255
DO.GM.1221060	Media Dot Go M RGBW Dome 42PXL 300PP 0.3M Black 24V ETL	DL23100295355
DO.GM.2111070	Media Dot Go M RGB Clear 56PXL 100PP 0.3M White 24V ETL	DL23100293055
DO.GM.2111080	Media Dot Go M RGB Clear 56PXL 150PP 0.3M White 24V ETL	DL23100293155
DO.GM.2111090	Media Dot Go M RGB Clear 56PXL 300PP 0.3M White 24V ETL	DL23100293255
DO.GM.2211070	Media Dot Go M RGB Dome 56PXL 100PP 0.3M White 24V ETL	DL23100293355
DO.GM.2211080	Media Dot Go M RGB Dome 56PXL 150PP 0.3M White 24V ETL	DL23100293455
DO.GM.2211090	Media Dot Go M RGB Dome 56PXL 300PP 0.3M White 24V ETL	DL23100293555
DO.GM.2121070	Media Dot Go M RGB Clear 56PXL 100PP 0.3M Black 24V ETL	DL23100293655
DO.GM.2121080	Media Dot Go M RGB Clear 56PXL 150PP 0.3M Black 24V ETL	DL23100293755
DO.GM.2121090	Media Dot Go M RGB Clear 56PXL 300PP 0.3M Black 24V ETL	DL23100293855
DO.GM.2221070	Media Dot Go M RGB Dome 56PXL 100PP 0.3M Black 24V ETL	DL23100293955
DO.GM.2221080	Media Dot Go M RGB Dome 56PXL 150PP 0.3M Black 24V ETL	DL23100294055
DO.GM.2221090	Media Dot Go M RGB Dome 56PXL 300PP 0.3M Black 24V ETL	DL23100294155

TX Connect

Model No.	Description	Item Code
N / A	MEDIA DOT GO STARTER CABLE 5-WIRE 1M ROUND WHITE	DA23100131055
N / A	MEDIA DOT GO STARTER CABLE 5-WIRE 5M ROUND WHITE	DA23100131155
N / A	MEDIA DOT GO END CAP WHITE	DA23100131255
N / A	MEDIA DOT GO INTERCONNECTION CABLE 5-WIRE 0.2M ROUND WHITE	DA23100131355
N / A	MEDIA DOT GO POWER INJECTOR CABLE KIT BLACK	DA23100131455
N / A	MEDIA DOT GO POWER AND RJ45 CABLE KIT BLACK	DA23100131555
N / A	MEDIA DOT GO STARTER CABLE 5-WIRE 1M ROUND ,BLACK	DA23100300255
N / A	MEDIA DOT GO STARTER CABLE 5-WIRE 5M ROUND ,BLACK	DA23100300355
N / A	MEDIA DOT GO END CAP, BLACK	DA23100300455
N / A	MEDIA DOT GO INTERCONNECTION CABLE 5-WIRE 0.2M ROUND,BLACK	DA23100300555

TX Control

Model No.	Description	Item Code
N / A	LED ENGINE 100W 24V OUTDOOR	AM175860055
EN.BP.0000100	BUTLER PRO DMX/RDM	AA628600035
EN.BU.0000001	BUTLER S2	AB436200031
N / A	LCE3FX e:cue	AM368100135
N / A	LCE3 e:cue	AM368100035
N / A	LCE3mx UL	CL23100105835
N / A	SYMPL CORE S	AB447060035
N / A	SYMPL CORE SP	AM430280035
N / A	E:CUE SYMPL DMX NODE	AB444180035

