



# TRAXON

## Media Dot Go S



# TRAXON Go<sup>+</sup>

Project: \_\_\_\_\_

Type: \_\_\_\_\_



IP67



COAST



DMX 512



ANSI 3G

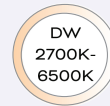


IK06

### Technologies

- Manual-addressing with TX Smart Addresser
- DMX512
- 4K Hz PWM refresh rate

### Color Options



### Lens Options

Clear



Diffused Dome



### Finish



White



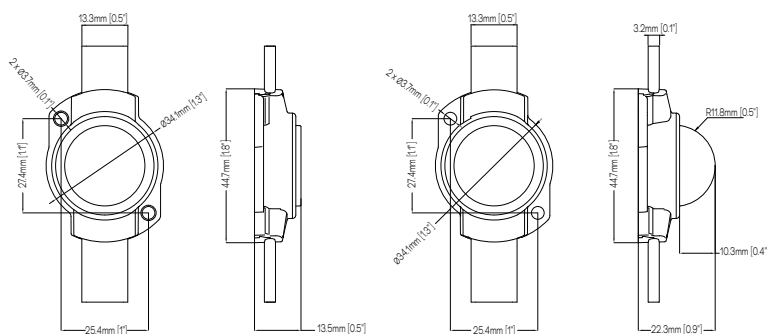
Black

Media Dot Go is an easy, affordable way to create pixel controlled full-color effects on walls, buildings, monuments—anywhere you can imagine. Long strings of individually controlled Dots produce bright color-changing effects, messages, or even video! 3 dot sizes mean you control the impact: long-distance viewing, creating a digital sign, or backlighting a wall can be done indoors or outdoors. Mounting ease & flexibility is guaranteed, whether directly to surface by screws, cable ties, clips or with Traxon's Mesh Mounting System.

### Features

- Standard Pitch options of 4", 6" and 12" (100mm, 150mm and 300mm)
- Customizable Pixel Pitch from 70mm / 2.8" to 2000mm / 78.7"
- Diffused View and Direct View
- DMX512
- Daisy Chain System with quick lock connectors
- Manual-Addressing with TX Smart Addresser
- IP67, Suitable for Coastal Environment, IK06 and 3G Vibration Resistant
- Cut in the field to match project needs\*

### Dimensions



\* Please see the installation guide for details.

### Product Specifications

	Direct View	Diffused View
	DW	DW
Max Pixels	80 pixels	80 pixels
Light Source	2 2700K + 2 6500K	2 2700K + 2 6500K
Color Range	White CCT 2700K - 6500K	
Color Resolution	16-Bit Grayscale, Gamma 2.0	
Refresh Rate	PWM 4k Hz	
Beam Angle	110°	150°
Luminous Flux (full-on)	76.7 lm	65 lm
Efficacy (full-on)	76.7 lm/W	65 lm/W
Pixel Pitch	4", 6" and 12" (100mm, 150mm and 300mm) Standard 70mm / 2.8" - 2000mm / 78.7", Standard: 100mm / 3.9"	
Cover Lens	Flat Clear PC cover	Dome Diffused PC Cover
Housing	UV resistant polycarbonate	
Housing Finish Options	White or Black	
Mounting	Fixed Surface Mount	
Dimensions (W x L x H)	34.1mm / 1.3" x 44.7mm / 1.8" x 13.5mm / 0.5"	34.1mm / 1.3" x 44.7mm / 1.8" x 22.3mm / 0.9"
Weight	13.5g / 0.03lb	
Regulatory Listing & Safety Approval	cETLus, FCC, ANSI C136.31 - 3G	
Operating Temperature	-30°C to +50°C (-22°F to +122°F)	
Storage Temperature	-40°C to +70°C (-40°F to +158°F)	
Environment	Outdoor, IP67, IK06, Suitable for Coastal Environment, 3G Vibration Resistant	
Humidity	10% - 90%, non-condensing	

### Electrical Specifications

Input Voltage	24V DC
Power Consumption*	1W
Lumen Maintenance	L70 50000hrs @ 25°C

### System Specifications

Control	DMX 512
Power Supply	LED Engine 24V Outdoor
Addressing Options	Manual-Addressing with TX Smart Addresser
Fixture Interconnection	See System Diagram

\*Measurement per dot. Specification is subject to change due to continuous improvement.

**LED CHARACTERISTICS** Because LEDs are semiconductor devices, their performances are subject to inherent variability commonly found in semiconductor industry. To improve consistency in performance across the same product, LED manufacturers "sort" LEDs into bins according to different preset parameters, such as forward driving voltage, illumination, etc. Whereas binning is a sorting function, it is not a correction process. Inherent variability in the manufacturing process results always in different binning distributions according to different production lots. Traxon uses automatically binned LEDs on its products, thereby minimizing output variations within the model range.

As with all electronic devices, LED output degrades over time - a term called lumen depreciation. This also explains why it is nearly impossible to expect photometric performances of two LED products with different service life spans to be the same. The rate of LED degrade is a complex function of many factors such as operating efficiency, duration of continuous operation, and more significantly, environmental conditions (ambient temperature for example). If allowed working under optimal operating temperature range and with good ventilation, LED devices enjoy long service lives over conventional light sources. When using/installing LED devices, care should be taken to ensure that the devices will operate within the operating conditions specified in respective product literature.

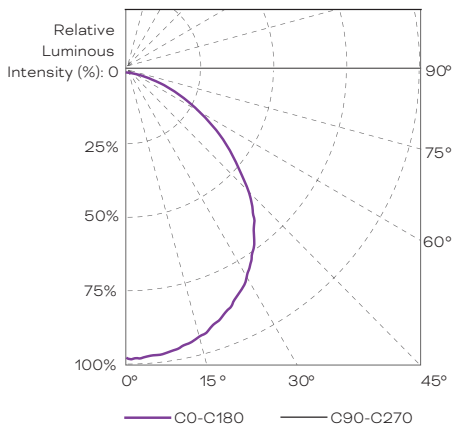
Lumen measurement complies with LM-79-09 standard.  
Lumen maintenance is calculated based on LM-80 compliant measurement.

### Source Specifications

Direct View

Optics 110°

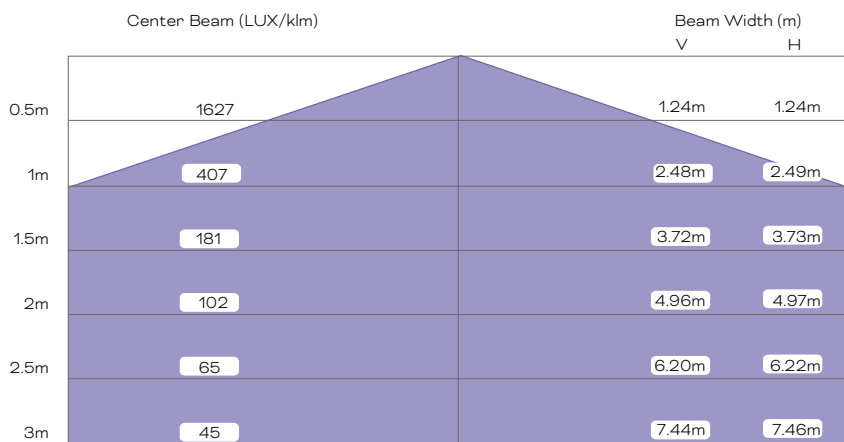
### Candela Distribution



### Light Output

Color	Luminous Flux (lm)	Center Intensity (cd)	Efficacy (lm/W)
DW (full-on)	76.7	29.7	76.7
CW	36.7	14.2	60.1
DW	40.0	15.5	65.5

### Illuminance at a Distance



● Horiz. Spread: 102.4°  
 ● Vert. Spread: 102.2°

For fc divide by 10.7

IES and LDT files are available for download from the Traxon website.

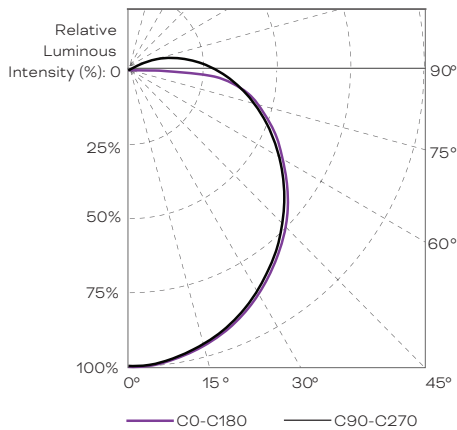
For feet multiply by 3.28

### Source Specifications

Diffused View

Optics 150°

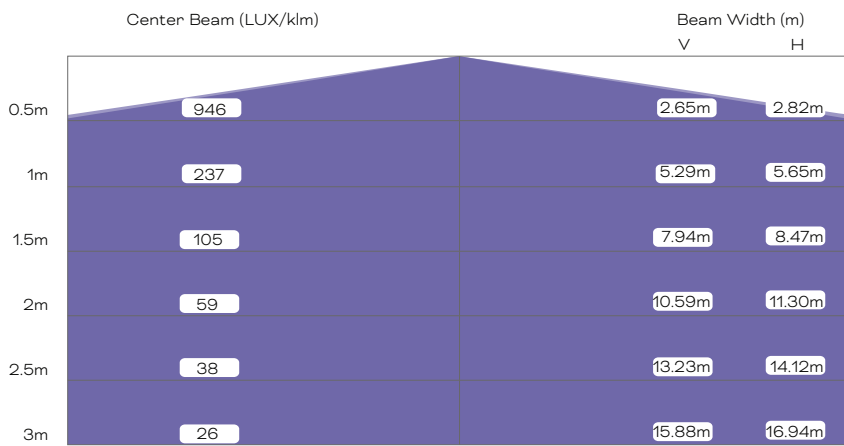
### Candela Distribution



### Light Output

Color	Luminous Flux (lm)	Center Intensity (cd)	Efficacy (lm/W)
DW (full-on)	65.0	15.9	65.0
CW	31.1	7.6	51.0
DW	33.9	8.3	55.5

### Illuminance at a Distance



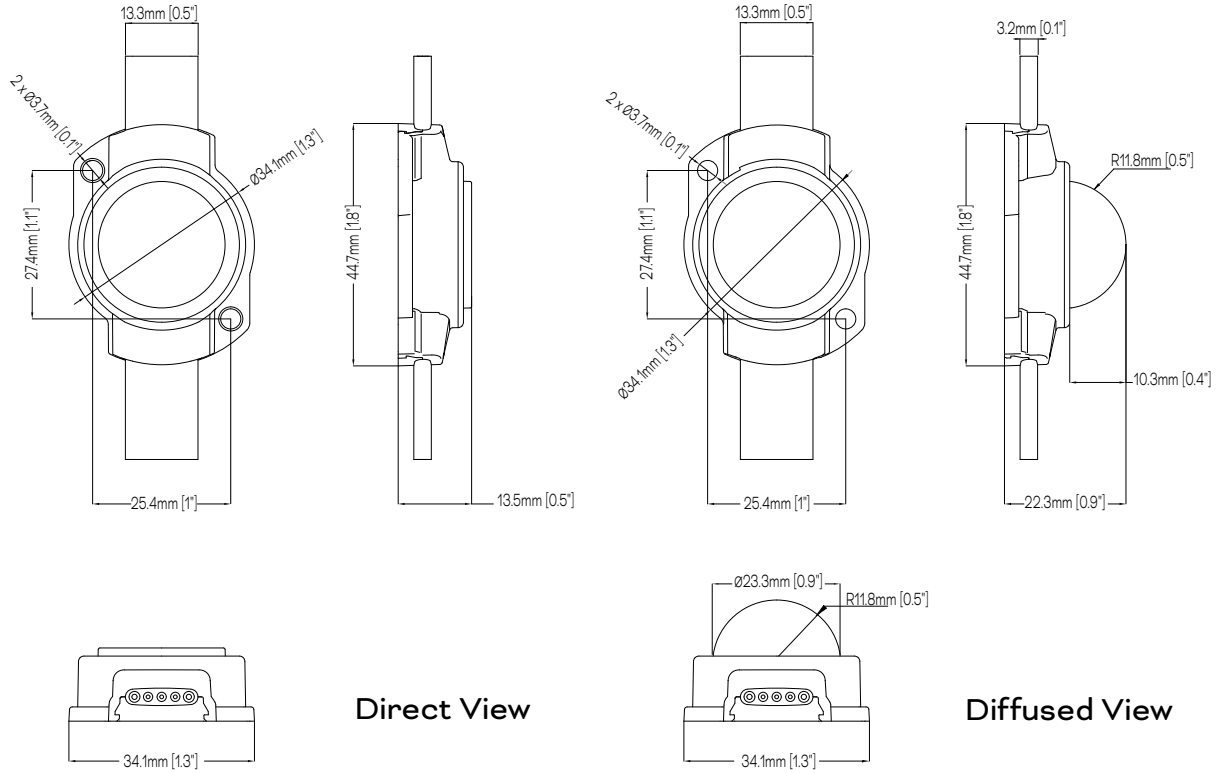
- Horiz. Spread: 141.0°
- Vert. Spread: 138.6°

For fc divide by 10.7

IES and LDT files are available for download from the Traxon website.

For feet multiply by 3.28

### Fixture Dimensions



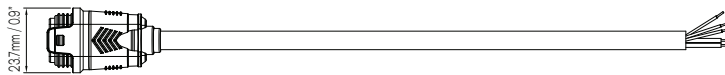
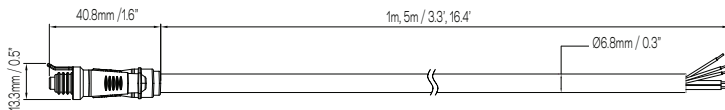
Direct View

Diffused View

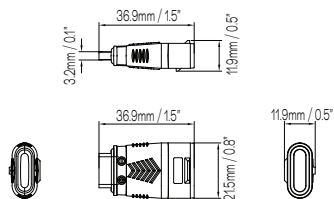
### Accessories Dimensions

Starter Cable 1m / 3.3' (DA23100131055)

Starter Cable 5m / 16.4' (DA23100131155)

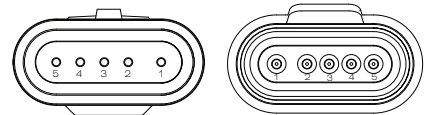


End Cap (DA23100131255)



#### Connector Pin Assignment

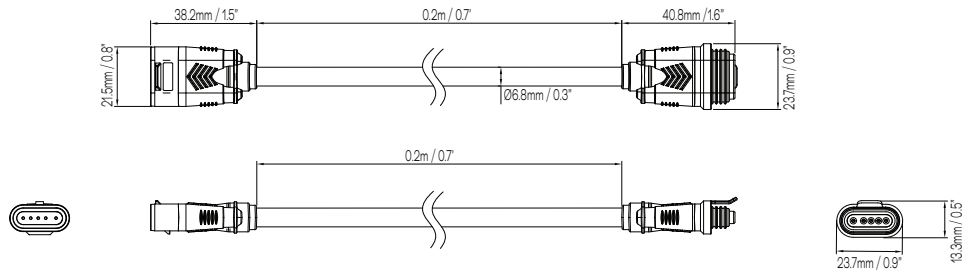
Input                      Output



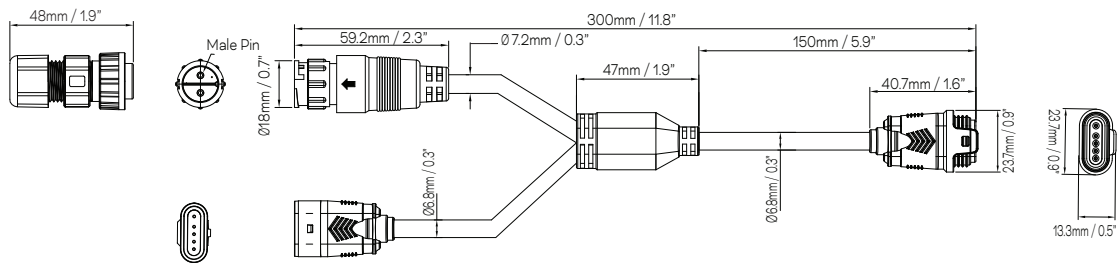
Wire#	Description	Color
1	Power+	Red
2	DMX-	Yellow
3	DMX+	Blue
4	Address	Green
5	Power-	Black

### Accessories Dimensions

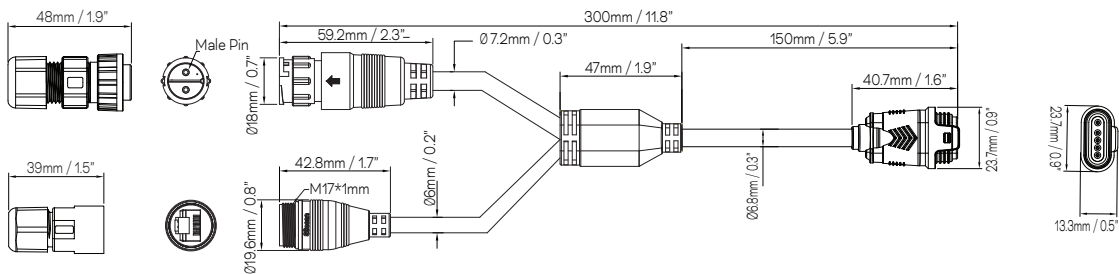
Interconnection Cable (DA23100131355)



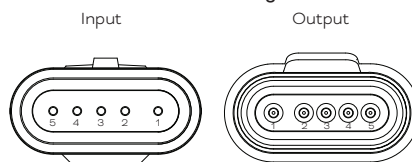
Power Injector Cable Kit (DA23100131455)



Power RJ45 Cable Kit (DA23100131555)

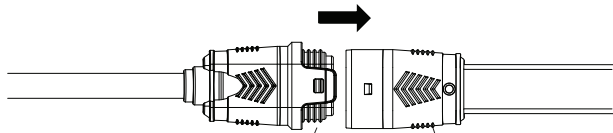


#### Connector Pin Assignment

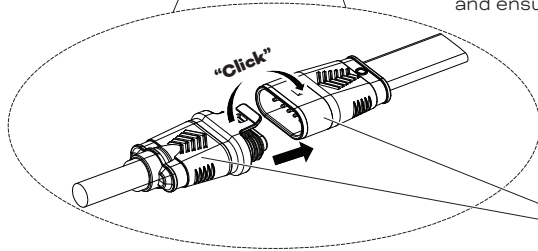


Wire#	Description	Color
1	Power+	Red
2	DMX-	Yellow
3	DMX+	Blue
4	Address	Green
5	Power-	Black

#### Cable Connection

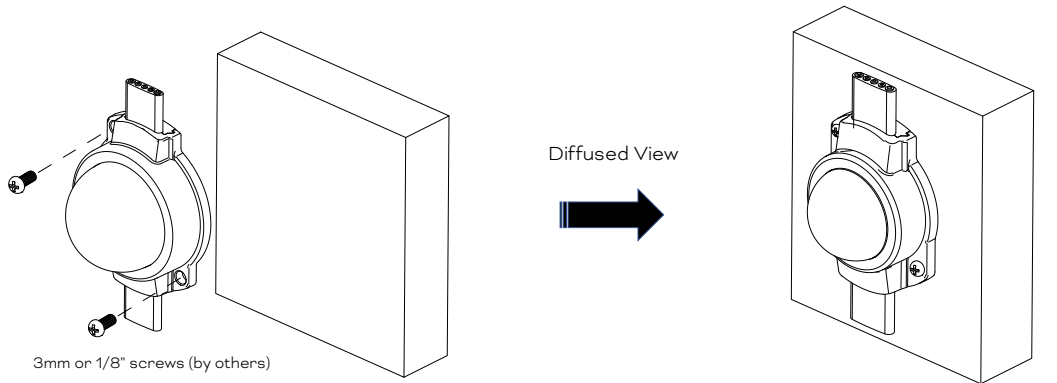
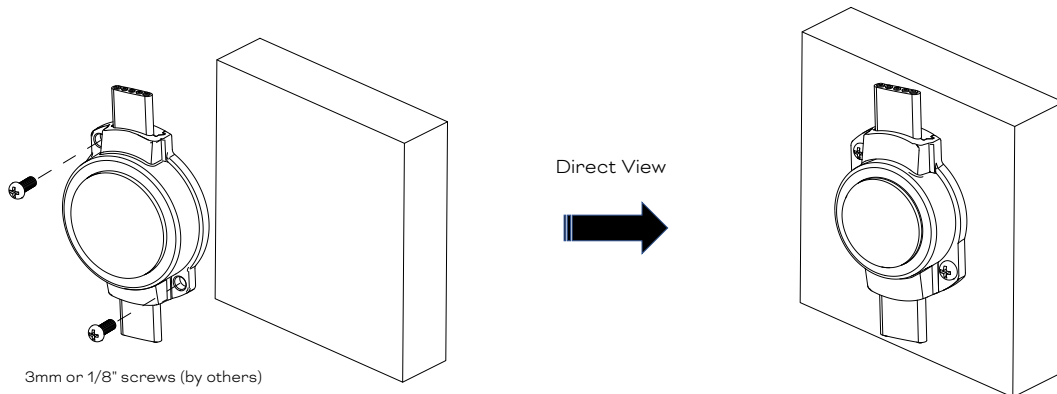


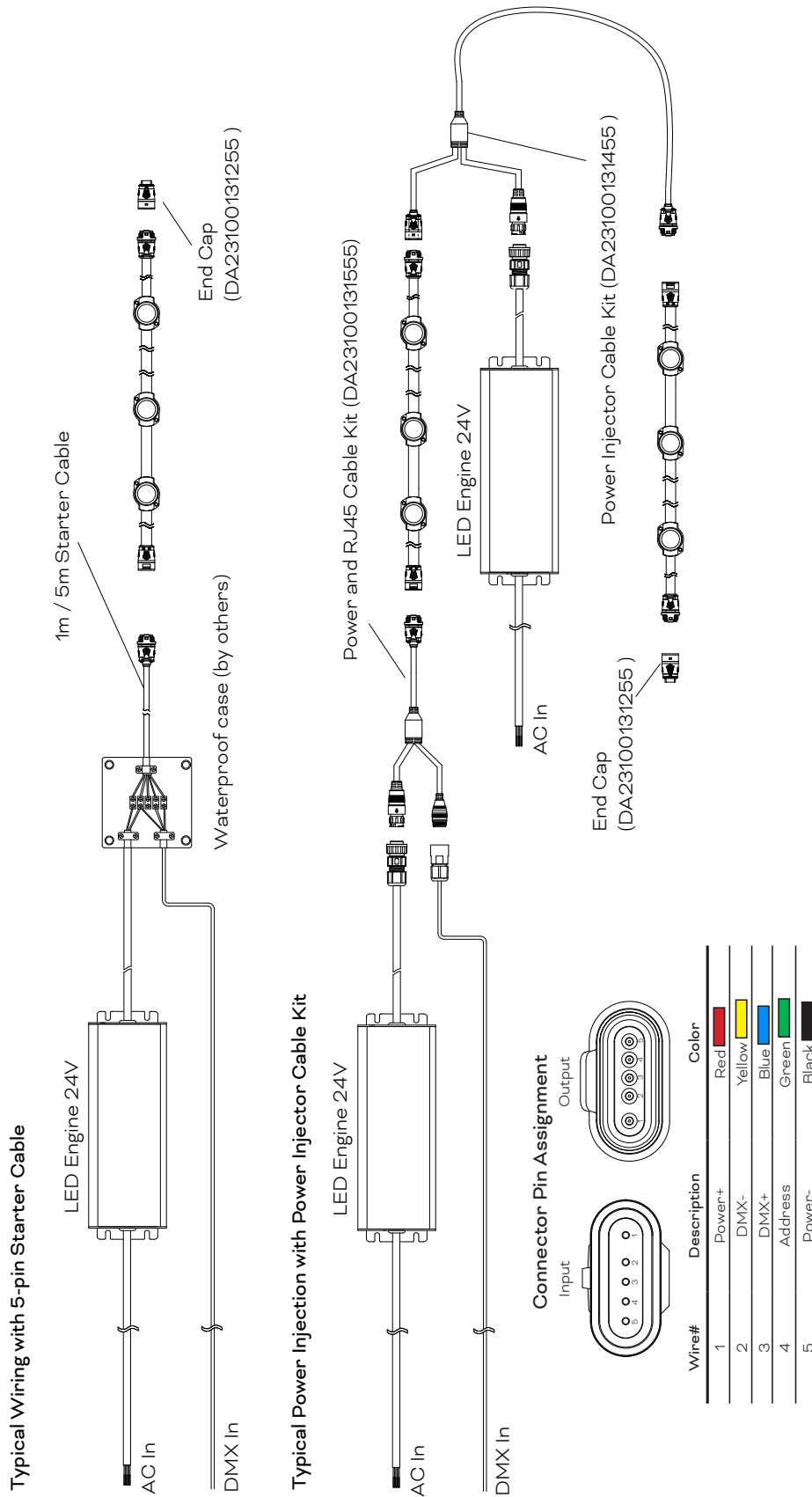
If you do not hear the “click”, pull connector manually to lock the connectors and ensure that they are properly mated to protect from water ingress.



Please note the direction of connection. Do not connect in reverse.

#### Dot Mounting





The Address wire only need to be connected during address configuration, it is not needed during operation. This wiring diagram shows only typical connections. Actual wiring depends on Media Dot Go configuration and installation. Actual no. vary according to cable lengths and signal source. Please consult your local Traxon office for aid.



### Fixtures Model Number

DO	.	GS	.	3		N		N		1	1	N		0
					LED Combination	Cover Type		Housing Color				Option		
					DW (2700K & 6500K)	1: Clear Cover		1: White				3: DW / 80PXL / 4"		
						2: Diffused Dome		2: Black				4: DW / 80PXL / 6"		
												5: DW / 80PXL / 12"		
Desired Model Number:														
DO	.	GS	.	3						1	1			0

### Fixtures

Model No.	Description	Item Code
DO.GS.3111130	Media Dot Go S DW Clear 80PXL 100PP 0.3M White 24V ETL	DL23100291855
DO.GS.3111140	Media Dot Go S DW Clear 80PXL 150PP 0.3M White 24V ETL	DL23100291955
DO.GS.3111150	Media Dot Go S DW Clear 80PXL 300PP 0.3M White 24V ETL	DL23100292055
DO.GS.3211130	Media Dot Go S DW Dome 80PXL 100PP 0.3M White 24V ETL	DL23100292155
DO.GS.3211140	Media Dot Go S DW Dome 80PXL 150PP 0.3M White 24V ETL	DL23100292255
DO.GS.3211150	Media Dot Go S DW Dome 80PXL 300PP 0.3M White 24V ETL	DL23100292355
DO.GS.3121130	Media Dot Go S DW Clear 80PXL 100PP 0.3M Black 24V ETL	DL23100292455
DO.GS.3121140	Media Dot Go S DW Clear 80PXL 150PP 0.3M Black 24V ETL	DL23100292555
DO.GS.3121150	Media Dot Go S DW Clear 80PXL 300PP 0.3M Black 24V ETL	DL23100292655
DO.GS.3221130	Media Dot Go S DW Dome 80PXL 100PP 0.3M Black 24V ETL	DL23100292755
DO.GS.3221140	Media Dot Go S DW Dome 80PXL 150PP 0.3M Black 24V ETL	DL23100292855
DO.GS.3221150	Media Dot Go S DW Dome 80PXL 300PP 0.3M Black 24V ETL	DL23100292955

### TX Connect

Model No.	Description	Item Code
N / A	MEDIA DOT GO STARTER CABLE 5-WIRE 1M ROUND WHITE	DA23100131055
N / A	MEDIA DOT GO STARTER CABLE 5-WIRE 5M ROUND WHITE	DA23100131155
N / A	MEDIA DOT GO END CAP WHITE	DA23100131255
N / A	MEDIA DOT GO INTERCONNECTION CABLE 5-WIRE 0.2M ROUND WHITE	DA23100131355
N / A	MEDIA DOT GO POWER INJECTOR CABLE KIT BLACK	DA23100131455
N / A	MEDIA DOT GO POWER AND RJ45 CABLE KIT BLACK	DA23100131555
N / A	MEDIA DOT GO STARTER CABLE 5-WIRE 1M ROUND ,BLACK	DA23100300255
N / A	MEDIA DOT GO STARTER CABLE 5-WIRE 5M ROUND ,BLACK	DA23100300355
N / A	MEDIA DOT GO END CAP, BLACK	DA23100300455
N / A	MEDIA DOT GO INTERCONNECTION CABLE 5-WIRE 0.2M ROUND,BLACK	DA23100300555

### TX Control

Model No.	Description	Item Code
N / A	LED ENGINE 100W 24V OUTDOOR	AM175860055
EN.BP.0000100	BUTLER PRO DMX/RDM	AA628600035
EN.BU.0000001	BUTLER S2	AB436200031
N / A	LCE3FX e:cue	AM368100135
N / A	LCE3 e:cue	AM368100035
N / A	LCE3mx UL	CL23100105835
N / A	SYMPL CORE S	AB447060035
N / A	SYMPL CORE SP	AM430280035
N / A	E:CUE SYMPL DMX NODE	AB444180035

