



TRAXON

Washer Go Micro White On / Off



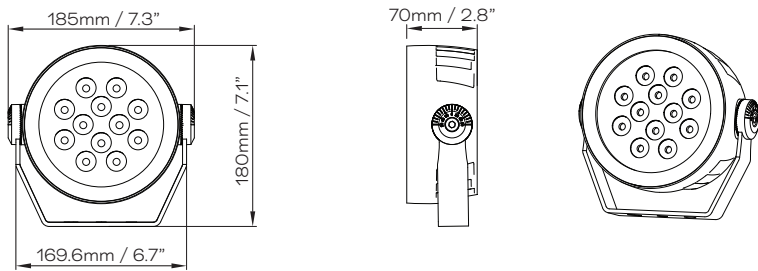
The Traxon Washer Go Micro is a DC line powered exterior luminaire used to distinguish facades, walls, and architectural landmarks with a powerful, even color wash effect. Washer Go's high-value design features efficient electrical and optical systems, making it ideal for budget-conscious projects.

Features

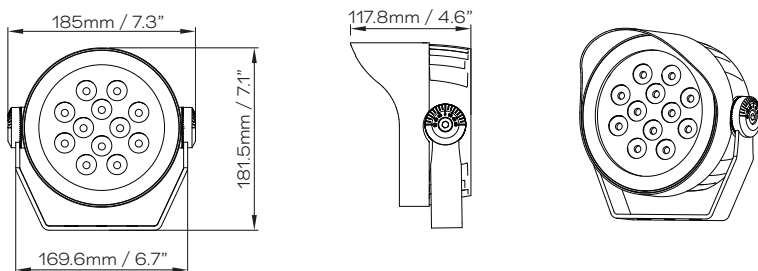
- On / Off Control
- Easy installation and maintenance

Dimensions

Without Glare Shield



With Glare Shield



TRAXON Go⁺

Project: _____

Type: _____



IP66



COAST



On / Off



ANSI 3G

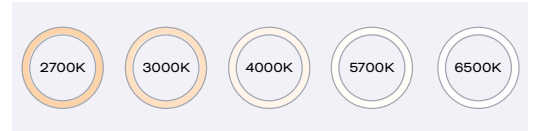


IK07

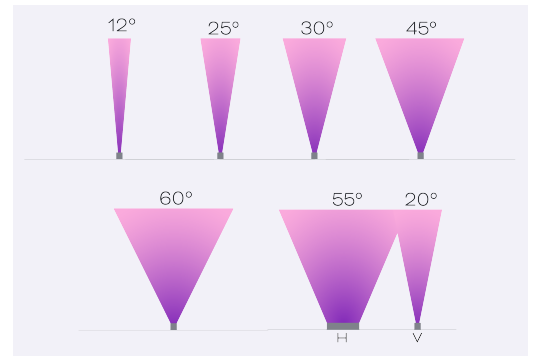
Technologies

- On / Off Control

Color Options



Beam Angle



Finish



Traxon Signature Gray: RAL7005

Product Specifications

Model	Washer Go Micro White On / Off
Light Source	White: 12pcs LED
Color Range	White: 2700K, 3000K, 4000K, 5700K, 6500K
LED Quantity	12pcs LED
Luminous Flux	White 3000K: 2000 lm (full on 12°) White 4000K: 2250 lm (full on 12°)
Candela	White 3000K: 28206 cd (full on 12°) White 4000K: 31732 cd (full on 12°)
Efficacy	White 3000K: 80 lm/W (full on 12°) White 4000K: 90 lm/W (full on 12°)
CRI	≥ 80 (White: 2700K/3000K/4000K) ≥ 70 (White: 5700K/6500K)
SDCM	≤5 step
Beam Angles	12°, 25°, 30°, 45°, 60°, 55x20°
Cover Lens	Tempered Glass
Housing	Die Cast Aluminum
Housing Finish Options	Traxon Signature Gray (RAL7005)
Adjustment Options	-90° to +90°
Mounting	Yoke Mount
Dimensions (W x D x H)	Without Glare Shield: 185mm / 7.3" x 70mm / 2.8" x 180mm / 7.1" With Glare Shield: 185mm / 7.3" x 118mm / 4.6" x 181.5mm / 7.1"
Weight	2.0kg / 4.4lbs (without Glare Shield) 2.2kg / 4.9lbs (with Glare Shield)
EPA	Front: 21838mm ² / 0.24ft ² (without Glare Shield) 22440mm ² / 0.24ft ² (with Glare Shield) Side: 12010mm ² / 0.13ft ² (without Glare Shield) 18092mm ² / 0.19ft ² (with Glare Shield)
Regulatory Listing & Safety Approval	CE, UKCA, cETLus, FCC, ANSI C136.31-3G
Operating Temperature	-30°C to +50°C (-22°F to +122°F)
Minimum Starting Temperature	-20°C (-4°F)
Storage Temperature	-40°C to +80°C (-40°F to +176°F)
Environment	Outdoor, IP66, IK07, Coastal Environment (ASTM B117-16)
Humidity	85%, non-condensing

Electrical Specifications

Input Voltage	24V DC
Power Consumption	25W
Lumen Maintenance	L70 50000hrs @ 25°C

System Specifications

Power Supply	CE market: LED Engine 24V ETL market: LED Engine 24V (Class 2)
Control	On / Off
Maximum number of daisy chain fixture per input power line	5 pcs for 24VDC (CE) 3 pcs for 24VDC (US Class 2 PSU)

LED CHARACTERISTICS Because LEDs are semiconductor devices, their performances are subject to inherent variability commonly found in semiconductor industry. To improve consistency in performance across the same product, LED manufacturers "sort" LEDs into bins according to different preset parameters, such as forward driving voltage, illumination, etc. Whereas binning is a sorting function, it is not a correction process. Inherent variability in the manufacturing process results always in different binning distributions according to different production lots. Traxon uses automatically binned LEDs on its products, thereby minimizing output variations within the model range.

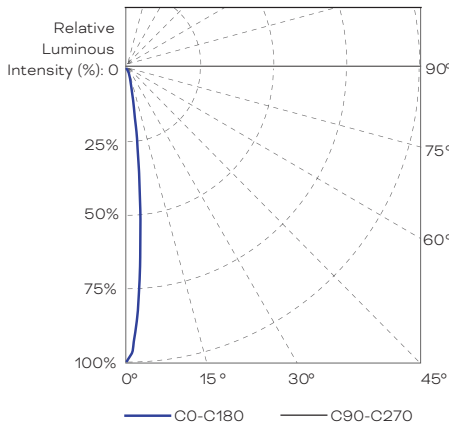
As with all electronic devices, LED output degrades over time – a term called lumen depreciation. This also explains why it is nearly impossible to expect photometric performances of two LED products with different service life spans to be the same. The rate of LED degrade is a complicate function of many factors such as operating efficiency, duration of continuous operation, and more significantly, environmental conditions (ambient temperature for example). If allowed working under optimal operating temperature range and with good ventilation, LED devices enjoy long service lives over conventional light sources. When using/installing LED devices, care should be taken to ensure that the devices will operate within the operating conditions specified in respective product literature.

Lumen measurement complies with LM-79-08 standard.
Lumen maintenance is calculated based on LM-80 compliant measurement.

Source Specifications

Source	White: 12pcs LED
Optics	12°

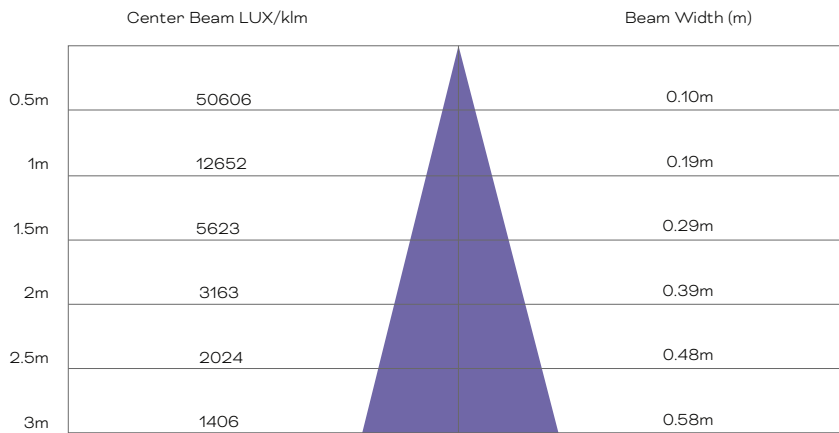
Candela Distribution



Light Output

Color	Luminous Flux (lm)	Center Intensity (cd)	Efficacy (lm/W)
2700K	1875	26443	75
3000K	2000	28206	80
4000K	2250	31732	90
5700K	2250	31732	90

Illuminance at a Distance



● Horiz.Spread: 11.0°

For fc divide by 10.7

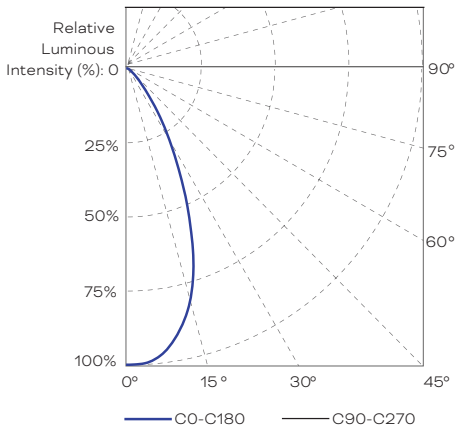
For feet multiply by 3.28

IES and LDT files are available for download from the Traxon website.

Source Specifications

Source	White: 12pcs LED
Optics	60°

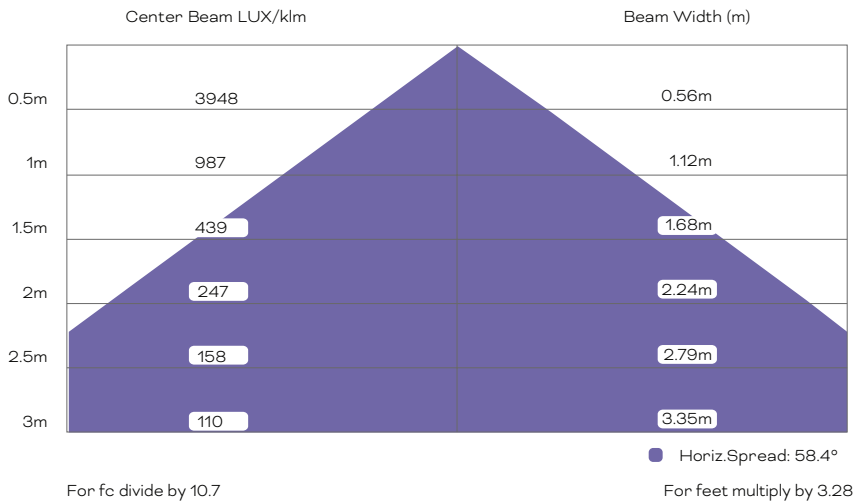
Candela Distribution



Light Output

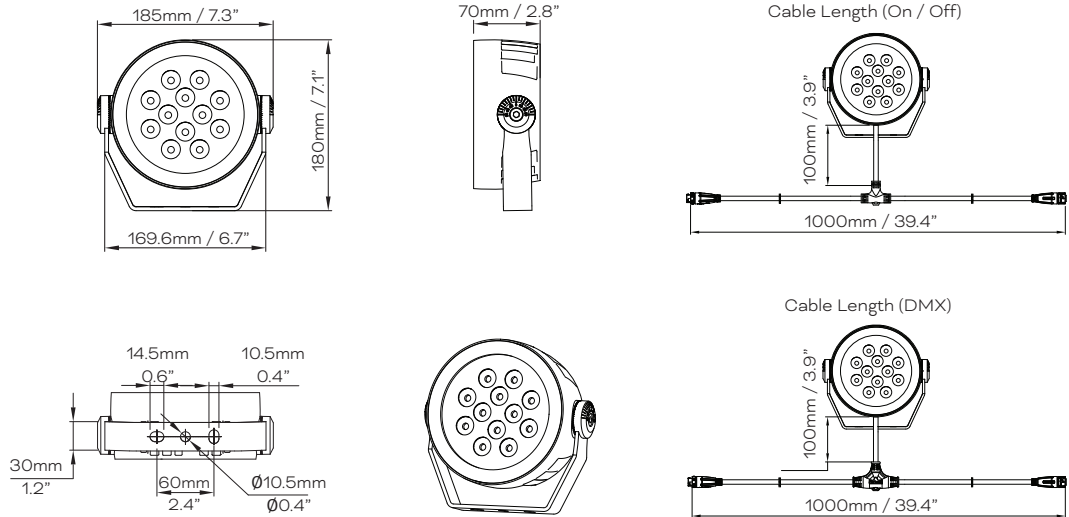
Color	Luminous Flux (lm)	Center Intensity (cd)	Efficacy (lm/W)
2700K	1594	1627	64
3000K	1700	1735	68
4000K	1913	1952	77
5700K	1913	1952	77

Illuminance at a Distance

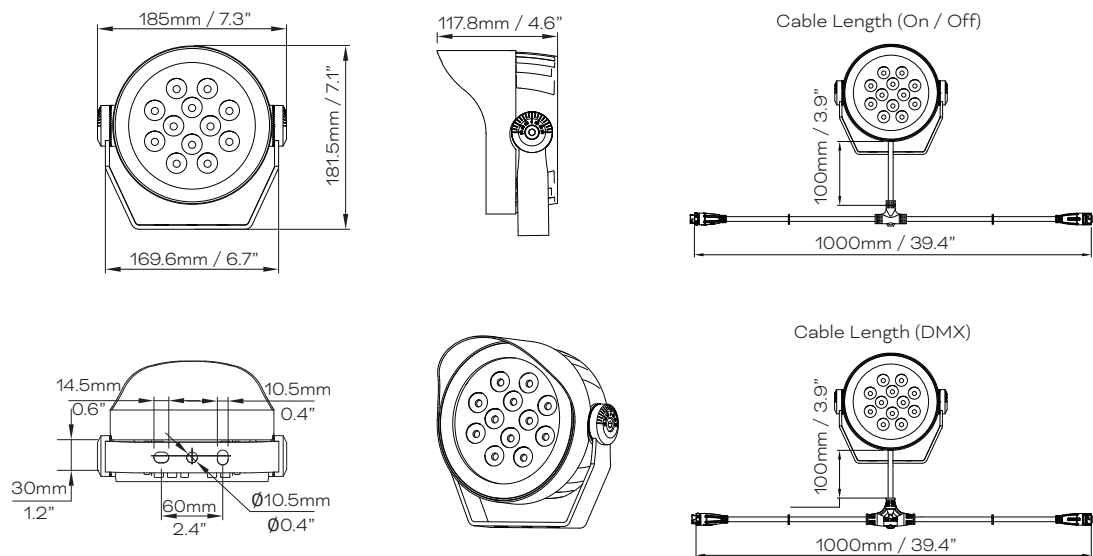


IES and LDT files are available for download from the Traxon website.

Fixture Dimensions (Without Glare Shield)

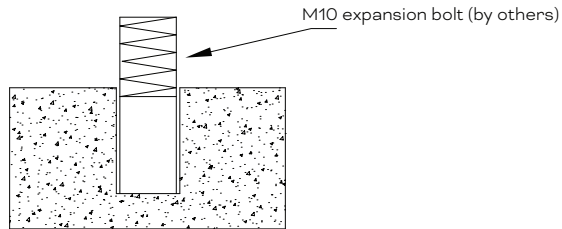


Fixture Dimensions (With Glare Shield)

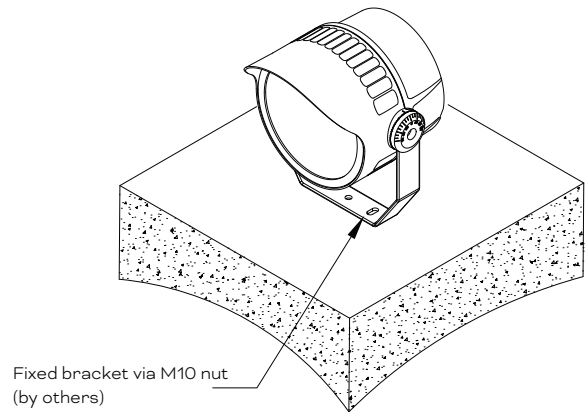


Bracket Mounting

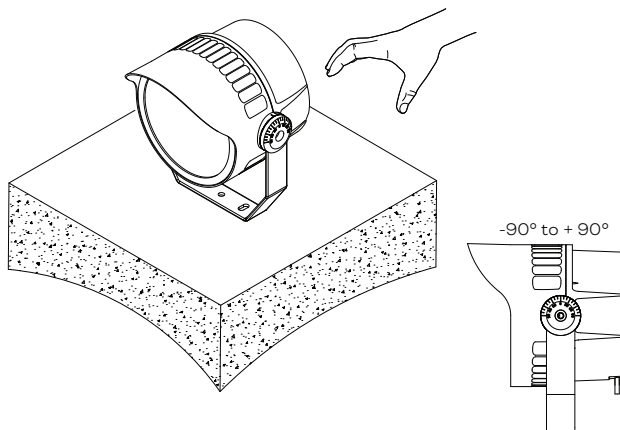
Install expansion screws on the fixed surface



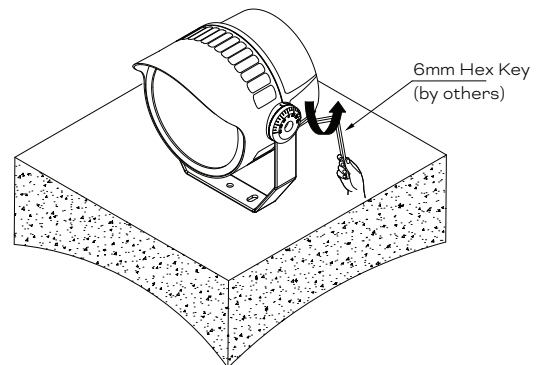
Fix the bracket



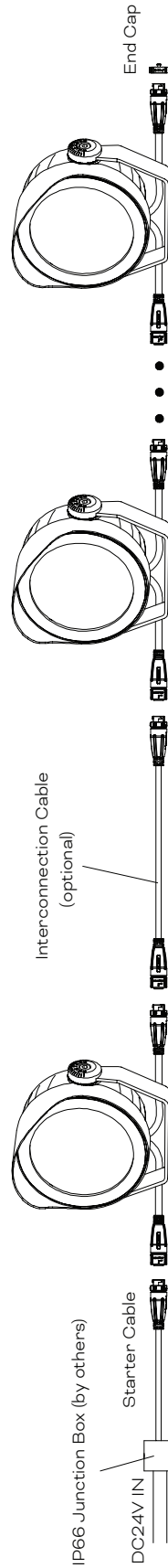
Adjust desired angles



Tighten the bracket bolts to fix the luminaire to the desired angle



 A safety wire must be installed to provide secondary protection to prevent fixtures from falling and injuring people (by others).



— Maximum number of 25W fixture per input power line: 5 pcs for 24VDC (CE); 3 pcs for 24VDC (US Class 2 PSU).

Function	Wire Size	Color	Connection
DC24V+	1.0mm ²	Black	DC24V+
DC24V-	1.0mm ²	White	DC24V- & GND

Washer Go Micro White On / Off

Ordering

Model Number

XB	.	WG	.	N	.	N	.	N	.	N	.	N	.	0	.	0
				Wattage		LED		Optics		Control		Approbation		Add on		
		2:		25W DC		7:		2700K		1:		12°		0:		On / Off
						8:		3000K		2:		25°		3:		CE & ETL
						A:		4000K		3:		30°		0:		Without Glare Shield
						D:		5700K		4:		45°		1:		With Glare Shield
						E:		6000K		5:		60°				
										6:		55° x 20°				

Desired Model Number:

XB.	WG.													0		0
-----	-----	--	--	--	--	--	--	--	--	--	--	--	--	---	--	---

Fixtures

Model No.	Description	Item Code
XB.WG.27103100	WASHER GO MICRO DC 25W 2700K 12° ON/OFF GS	DL23100057455
XB.WG.28103100	WASHER GO MICRO DC 25W 3000K 12° ON/OFF GS	DL23100057555
XB.WG.2A103100	WASHER GO MICRO DC 25W 4000K 12° ON/OFF GS	DL23100057655
XB.WG.2D103100	WASHER GO MICRO DC 25W 5700K 12° ON/OFF GS	DL23100057755
XB.WG.2E103100	WASHER GO MICRO DC 25W 6500K 12° ON/OFF GS	DL23100057855
XB.WG.27103000	WASHER GO MICRO DC 25W 2700K 12° ON/OFF	DL23100058755
XB.WG.28103000	WASHER GO MICRO DC 25W 3000K 12° ON/OFF	DL23100058855
XB.WG.2A103000	WASHER GO MICRO DC 25W 4000K 12° ON/OFF	DL23100058955
XB.WG.2D103000	WASHER GO MICRO DC 25W 5700K 12° ON/OFF	DL23100059055
XB.WG.2E103000	WASHER GO MICRO DC 25W 6500K 12° ON/OFF	DL23100059155
XB.WG.27203100	WASHER GO MICRO DC 25W 2700K 25° ON/OFF GS	DL23100060055
XB.WG.28203100	WASHER GO MICRO DC 25W 3000K 25° ON/OFF GS	DL23100060155
XB.WG.2A203100	WASHER GO MICRO DC 25W 4000K 25° ON/OFF GS	DL23100060255
XB.WG.2D203100	WASHER GO MICRO DC 25W 5700K 25° ON/OFF GS	DL23100060355
XB.WG.2E203100	WASHER GO MICRO DC 25W 6500K 25° ON/OFF GS	DL23100060455
XB.WG.27203000	WASHER GO MICRO DC 25W 2700K 25° ON/OFF	DL23100061355
XB.WG.28203000	WASHER GO MICRO DC 25W 3000K 25° ON/OFF	DL23100061455
XB.WG.2A203000	WASHER GO MICRO DC 25W 4000K 25° ON/OFF	DL23100061555
XB.WG.2D203000	WASHER GO MICRO DC 25W 5700K 25° ON/OFF	DL23100061655
XB.WG.2E203000	WASHER GO MICRO DC 25W 6500K 25° ON/OFF	DL23100061755
XB.WG.27303100	WASHER GO MICRO DC 25W 2700K 30° ON/OFF GS	DL23100062655
XB.WG.28303100	WASHER GO MICRO DC 25W 3000K 30° ON/OFF GS	DL23100062755
XB.WG.2A303100	WASHER GO MICRO DC 25W 4000K 30° ON/OFF GS	DL23100062855
XB.WG.2D303100	WASHER GO MICRO DC 25W 5700K 30° ON/OFF GS	DL23100062955
XB.WG.2E303100	WASHER GO MICRO DC 25W 6500K 30° ON/OFF GS	DL23100063055
XB.WG.27303000	WASHER GO MICRO DC 25W 2700K 30° ON/OFF	DL23100063955
XB.WG.28303000	WASHER GO MICRO DC 25W 3000K 30° ON/OFF	DL23100064055
XB.WG.2A303000	WASHER GO MICRO DC 25W 4000K 30° ON/OFF	DL23100064155
XB.WG.2D303000	WASHER GO MICRO DC 25W 5700K 30° ON/OFF	DL23100064255
XB.WG.2E303000	WASHER GO MICRO DC 25W 6500K 30° ON/OFF	DL23100064355

Fixtures

Model No.	Description	Item Code
XB.WG.27403100	WASHER GO MICRO DC 25W 2700K 45° ON/OFF GS	DL23100065255
XB.WG.28403100	WASHER GO MICRO DC 25W 3000K 45° ON/OFF GS	DL23100065355
XB.WG.2A403100	WASHER GO MICRO DC 25W 4000K 45° ON/OFF GS	DL23100065455
XB.WG.2D403100	WASHER GO MICRO DC 25W 5700K 45° ON/OFF GS	DL23100065555
XB.WG.2E403100	WASHER GO MICRO DC 25W 6500K 45° ON/OFF GS	DL23100065655
XB.WG.27403000	WASHER GO MICRO DC 25W 2700K 45° ON/OFF	DL23100066555
XB.WG.28403000	WASHER GO MICRO DC 25W 3000K 45° ON/OFF	DL23100066655
XB.WG.2A403000	WASHER GO MICRO DC 25W 4000K 45° ON/OFF	DL23100066755
XB.WG.2D403000	WASHER GO MICRO DC 25W 5700K 45° ON/OFF	DL23100066855
XB.WG.2E403000	WASHER GO MICRO DC 25W 6500K 45° ON/OFF	DL23100066955
XB.WG.27503100	WASHER GO MICRO DC 25W 2700K 60° ON/OFF GS	DL23100067855
XB.WG.28503100	WASHER GO MICRO DC 25W 3000K 60° ON/OFF GS	DL23100067955
XB.WG.2A503100	WASHER GO MICRO DC 25W 4000K 60° ON/OFF GS	DL23100068055
XB.WG.2D503100	WASHER GO MICRO DC 25W 5700K 60° ON/OFF GS	DL23100068155
XB.WG.2E503100	WASHER GO MICRO DC 25W 6500K 60° ON/OFF GS	DL23100068255
XB.WG.27503000	WASHER GO MICRO DC 25W 2700K 60° ON/OFF	DL23100069155
XB.WG.28503000	WASHER GO MICRO DC 25W 3000K 60° ON/OFF	DL23100069255
XB.WG.2A503000	WASHER GO MICRO DC 25W 4000K 60° ON/OFF	DL23100069355
XB.WG.2D503000	WASHER GO MICRO DC 25W 5700K 60° ON/OFF	DL23100069455
XB.WG.2E503000	WASHER GO MICRO DC 25W 6500K 60° ON/OFF	DL23100069555
XB.WG.27603100	WASHER GO MICRO DC 25W 2700K 55x20° ON/OFF GS	DL23100070455
XB.WG.28603100	WASHER GO MICRO DC 25W 3000K 55x20° ON/OFF GS	DL23100070555
XB.WG.2A603100	WASHER GO MICRO DC 25W 4000K 55x20° ON/OFF GS	DL23100070655
XB.WG.2D603100	WASHER GO MICRO DC 25W 5700K 55x20° ON/OFF GS	DL23100070755
XB.WG.2E603100	WASHER GO MICRO DC 25W 6500K 55x20° ON/OFF GS	DL23100070855
XB.WG.27603000	WASHER GO MICRO DC 25W 2700K 55x20° ON/OFF	DL23100071755
XB.WG.28603000	WASHER GO MICRO DC 25W 3000K 55x20° ON/OFF	DL23100071855
XB.WG.2A603000	WASHER GO MICRO DC 25W 4000K 55x20° ON/OFF	DL23100071955
XB.WG.2D603000	WASHER GO MICRO DC 25W 5700K 55x20° ON/OFF	DL23100072055
XB.WG.2E603000	WASHER GO MICRO DC 25W 6500K 55x20° ON/OFF	DL23100072155

TX Connect

Model No.	Description	Item Code
N/A	STARTER CABLE JYK DC 2-PIN 0.5M	DA23100096855
N/A	STARTER CABLE JYK DC 2-PIN 2M	DA23100096955
N/A	INTERCONNECTION CABLE JYK DC 2-PIN 0.5M	DA23100097055
N/A	INTERCONNECTION CABLE JYK DC 2-PIN 2M	DA23100097155
N/A	END CAP JYK DC 2-PIN	DA23100097255

