



TRAXON

Washer Go Micro White



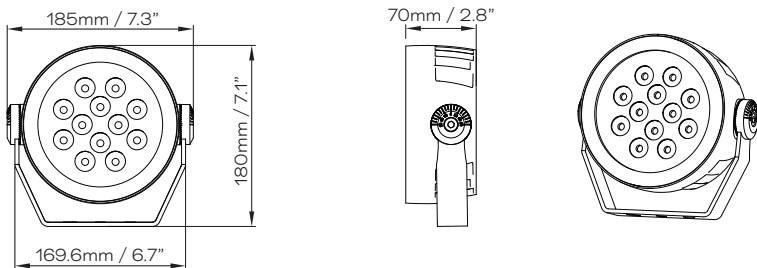
The Traxon Washer Go Micro is a DC line powered exterior luminaire used to distinguish facades, walls, and architectural landmarks with a powerful, even color wash effect. Washer Go's high-value design features efficient electrical and optical systems, making it ideal for budget-conscious projects.

Features

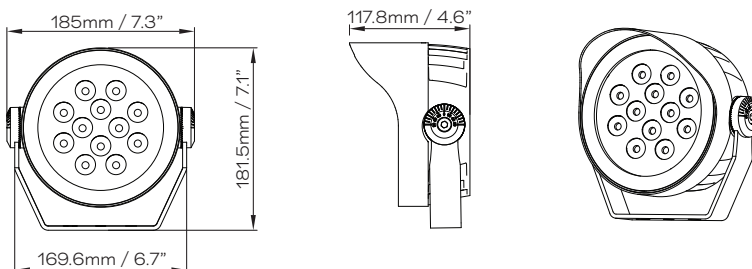
- DMX control
- Easy installation and maintenance

Dimensions

Without Glare Shield



With Glare Shield



TRAXON Go⁺

Project: _____

Type: _____



IP66



COAST



DMX 512



ANSI 3G

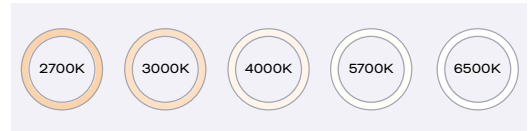


IK07

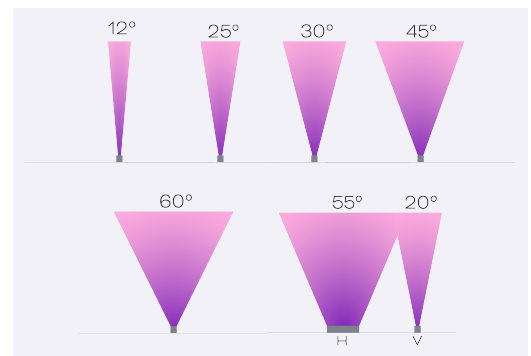
Technologies

- Manual-Addressing with TX Addresser

Color Options



Beam Angle



Finish



Traxon Signature Gray: RAL7005

Product Specifications

Model	Washer Go Micro White
Light Source	White: 12pcs LED
Color Range	White: 2700K, 3000K, 4000K, 5700K, 6500K
LED Quantity	12pcs LED
Luminous Flux	White 3000K: 1875 lm (full on 12°) White 4000K: 2125 lm (full on 12°)
Candela	White 3000K: 26443 cd (full on 12°) White 4000K: 29969 cd (full on 12°)
Efficacy	White 3000K: 75 lm/W (full on 12°) White 4000K: 85 lm/W (full on 12°)
CRI	≥ 80 (White: 2700K/3000K/4000K) ≥ 70 (White: 5700K/6500K)
SDCM	≤5 step
Beam Angles	12°, 25°, 30°, 45°, 60°, 55x20°
Cover Lens	Tempered Glass
Housing	Die Cast Aluminum
Housing Finish Options	Traxon Signature Gray (RAL7005)
Adjustment Options	-90° to +90°
Mounting	Yoke Mount
Dimensions (W x D x H)	Without Glare Shield: 185mm / 7.3" x 70mm / 2.8" x 180mm / 7.1" With Glare Shield: 185mm / 7.3" x 118mm / 4.6" x 181.5mm / 7.1"
Weight	2.0kg / 4.4lbs (without Glare Shield) 2.2kg / 4.9lbs (with Glare Shield)
EPA	Front: 21838mm ² / 0.24ft ² (without Glare Shield) 22440mm ² / 0.24ft ² (with Glare Shield) Side: 12010mm ² / 0.13ft ² (without Glare Shield) 18092mm ² / 0.19ft ² (with Glare Shield)
Regulatory Listing & Safety Approval	CE, UKCA, cETLus, FCC, ANSI C136.31-3G
Operating Temperature	-30°C to +50°C (-22°F to +122°F)
Minimum Starting Temperature	-20°C (-4°F)
Storage Temperature	-40°C to +80°C (-40°F to +176°F)
Environment	Outdoor, IP66, IK07, Coastal Environment (ASTM B117-16)
Humidity	85%, non-condensing

Electrical Specifications

Input Voltage	24V DC
Power Consumption	25W
Lumen Maintenance	L70 50000hrs @ 25°C

System Specifications

Power Supply	CE market: LED Engine 24V ETL market: LED Engine 24V (Class 2)
Control	DMX 512
Addressing Options	Manual-Addressing with TX Addresser
Chipset	MR DMX05
Maximum number of daisy chain fixture per input power line	5 pcs for 24VDC (CE) 3 pcs for 24VDC (US Class 2 PSU)

LED CHARACTERISTICS Because LEDs are semiconductor devices, their performances are subject to inherent variability commonly found in semiconductor industry. To improve consistency in performance across the same product, LED manufacturers "sort" LEDs into bins according to different preset parameters, such as forward driving voltage, illumination, etc. Whereas binning is a sorting function, it is not a correction process. Inherent variability in the manufacturing process results always in different binning distributions according to different production lots. Traxon uses automatically binned LEDs on its products, thereby minimizing output variations within the model range.

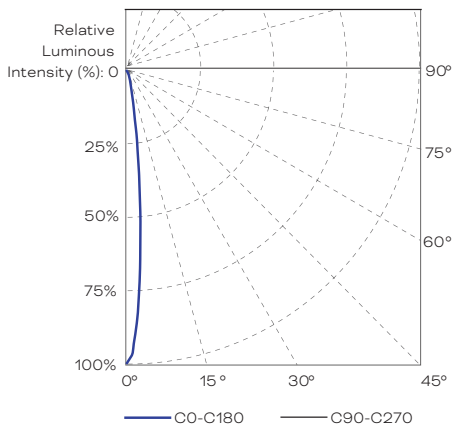
As with all electronic devices, LED output degrades over time – a term called lumen depreciation. This also explains why it is nearly impossible to expect photometric performances of two LED products with different service life spans to be the same. The rate of LED degrade is a complicate function of many factors such as operating efficiency, duration of continuous operation, and more significantly, environmental conditions (ambient temperature for example). If allowed working under optimal operating temperature range and with good ventilation, LED devices enjoy long service lives over conventional light sources. When using/installing LED devices, care should be taken to ensure that the devices will operate within the operating conditions specified in respective product literature.

Lumen measurement complies with LM-79-08 standard.
Lumen maintenance is calculated based on LM-80 compliant measurement.

Source Specifications

Source	White: 12pcs LED
Optics	12°

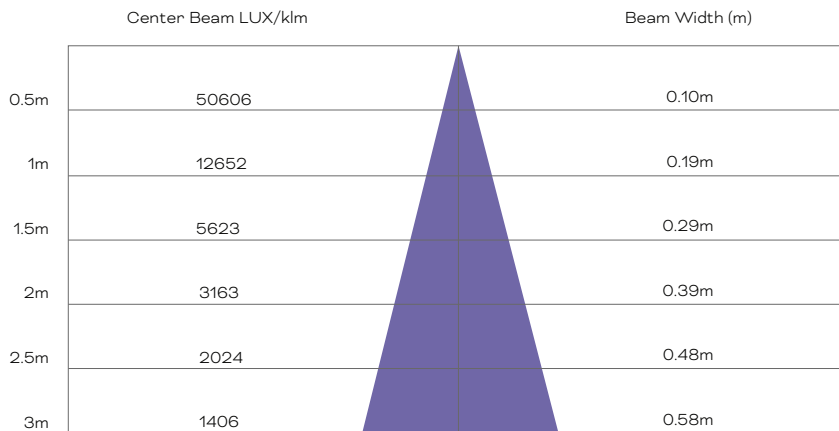
Candela Distribution



Light Output

Color	Luminous Flux (lm)	Center Intensity (cd)	Efficacy (lm/W)
2700K	1750	24680	70
3000K	1875	26443	75
4000K	2125	29969	85
5700K	2125	29969	85

Illuminance at a Distance



● Horiz.Spread: 11.0°

For fc divide by 10.7

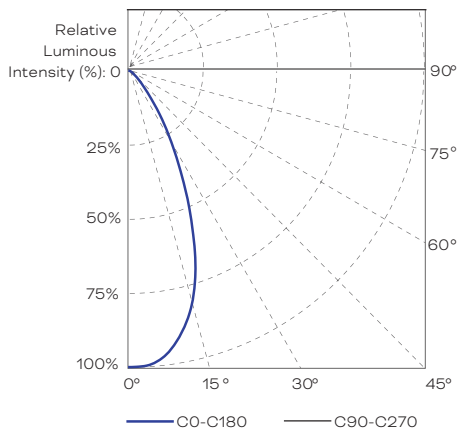
For feet multiply by 3.28

IES and LDT files are available for download from the Traxon website.

Source Specifications

Source	White: 12pcs LED
Optics	60°

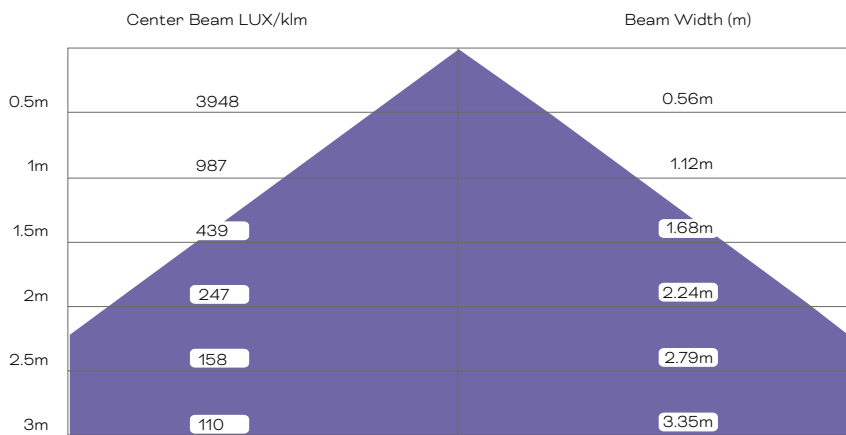
Candela Distribution



Light Output

Color	Luminous Flux (lm)	Center Intensity (cd)	Efficacy (lm/W)
2700K	1488	1518	60
3000K	1594	1627	64
4000K	1806	1844	72
5700K	1806	1844	72

Illuminance at a Distance



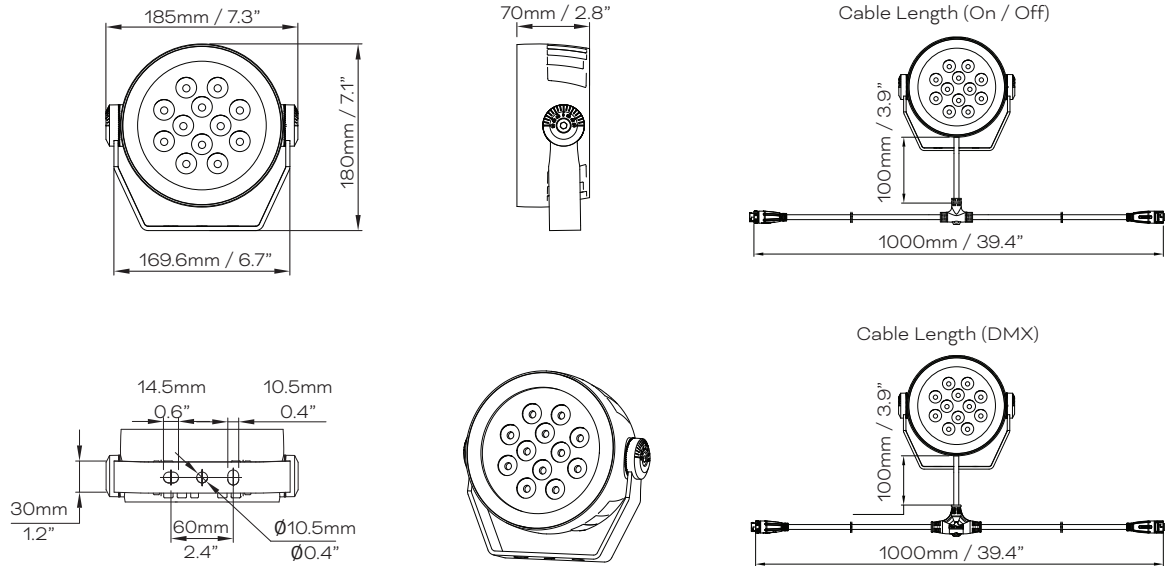
● Horiz. Spread: 58.4°

For fc divide by 10.7

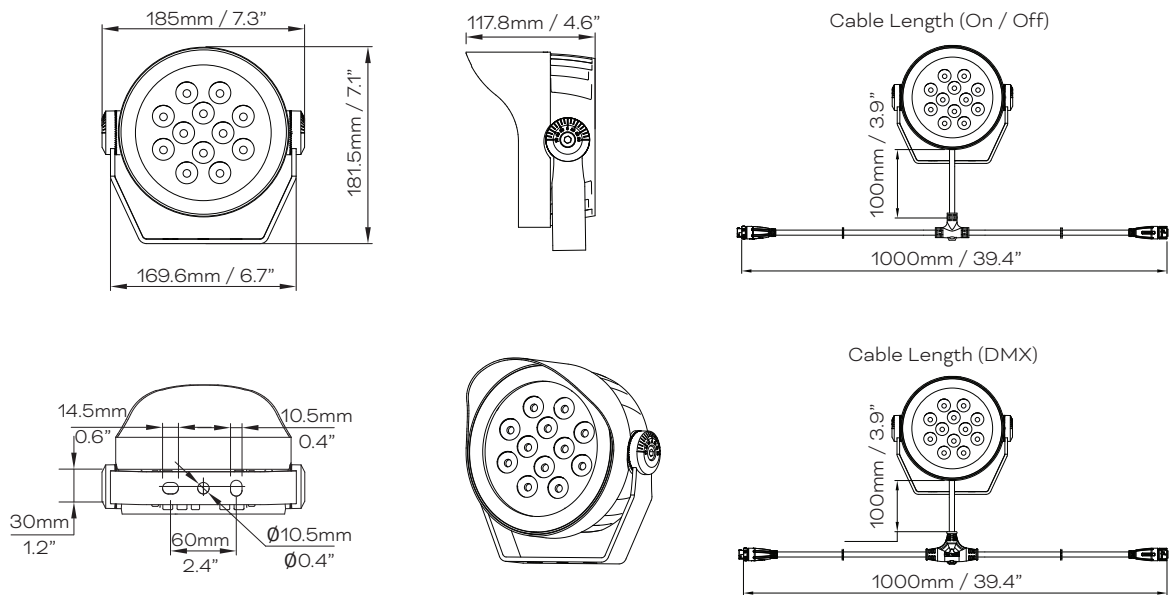
For feet multiply by 3.28

IES and LDT files are available for download from the Traxon website.

Fixture Dimensions (Without Glare Shield)

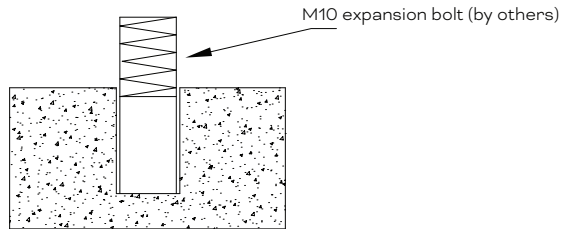


Fixture Dimensions (With Glare Shield)

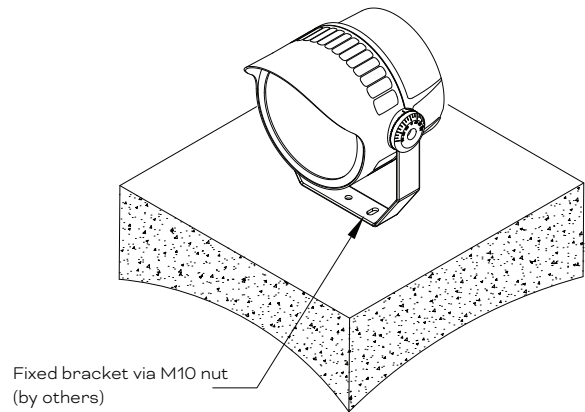


Bracket Mounting

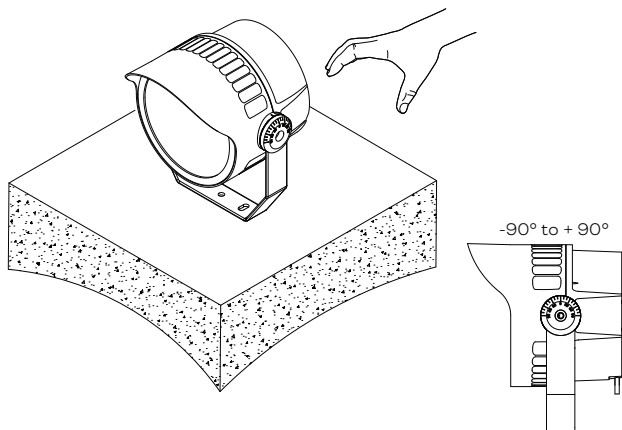
Install expansion screws on the fixed surface



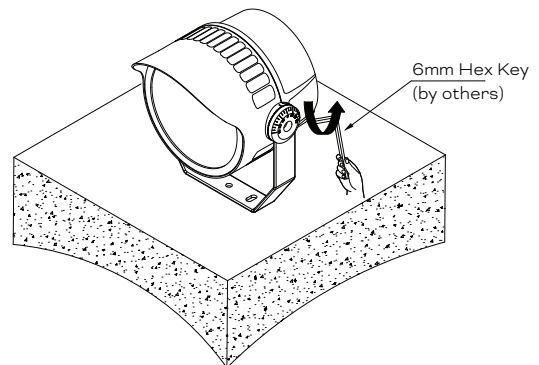
Fix the bracket




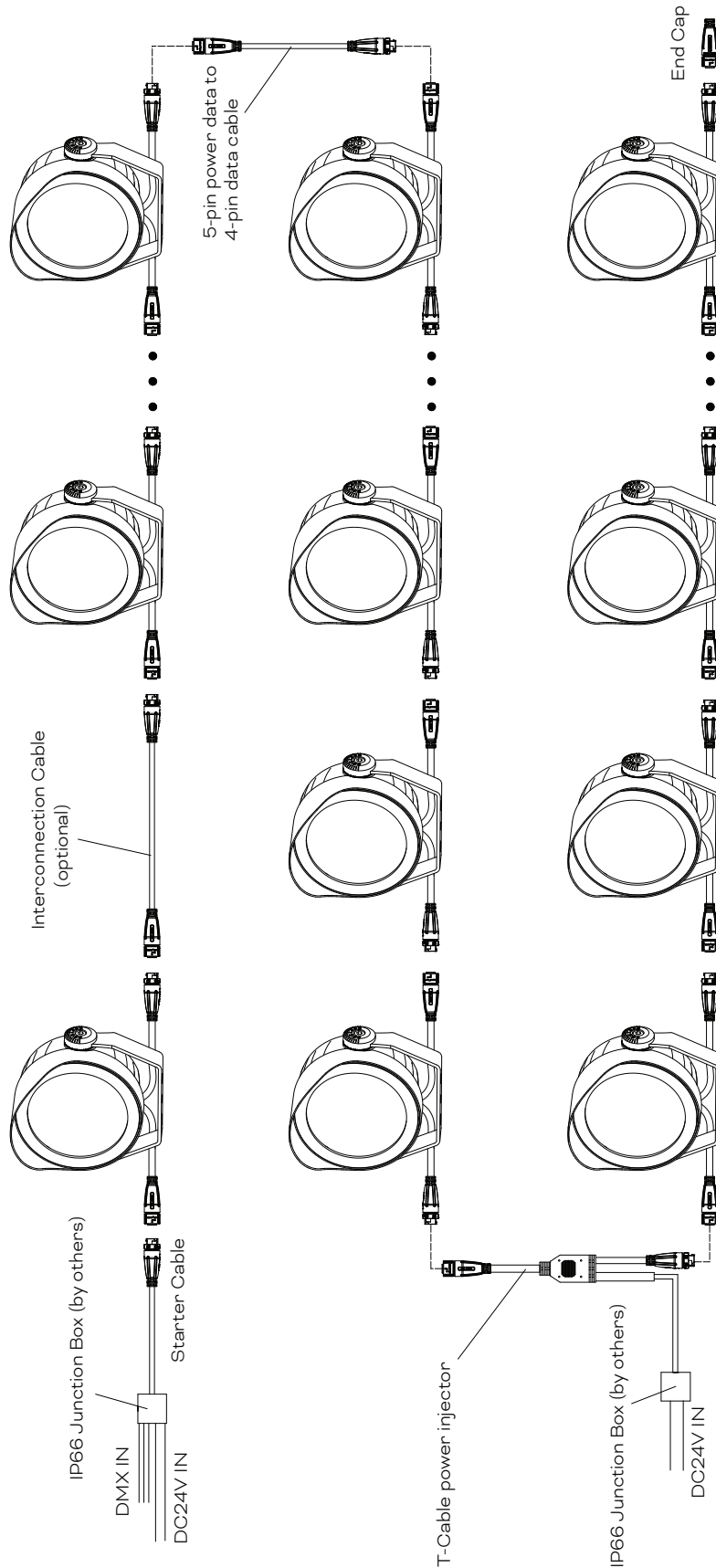
Adjust desired angles



Tighten the bracket bolts to fix the luminaire to the desired angle



 A safety wire must be installed to provide secondary protection to prevent fixtures from falling and injuring people (by others).



- Data cabling from DMX source to Starter cable shall be Cat5e UTP or other cable type suitable for DMX communication.
 - Maximum number of 25W fixture per input power line: 5 pcs for 24VDC (CE); 3 pcs for 24VDC (US Class 2 PSU).

	For controlling the fixtures	For addressing the fixtures
Maximum distance from Control/Addressing source to the first fixture	80m / 262'	80m / 262'
Maximum distance between fixture to fixture	30m / 98'	12m / 39'
Maximum distance from Control source to last fixture on a single DMX512 link	200m / 656'	200m / 656'
Maximum number of fixture on a single DMX512 link	40pcs	40pcs

Maximum number of fixtures is based on minimal interconnection lengths fixture to fixture.
 Actual number of fixtures is dependent on cable interconnection lengths. The number of fixtures will reduce if longer cable lengths are used. Please consult regional sales office to confirm maximums.

Function	Size	Color	Connection
DC24V-	1.0mm ²	White	DC24V- & GND
DC24V+	1.0mm ²	Black	DC24V+
DMX+	0.5mm ²	Brown	DMX+
DMX-	0.5mm ²	Blue	DMX-
Address	0.5mm ²	Green	Do not connect

Washer Go Micro White

Ordering

Model Number

XB	.	WG	.	N	.	N	.	N	.	N	.	N	.	0	.	0
				Wattage		LED		Optics		Control		Approbation		Add on		
				2: 25W DC		7: 2700K		1: 12°		1: DMX		3: CE & ETL		0: Without Glare Shield		
						8: 3000K		2: 25°						1: With Glare Shield		
						A: 4000K		3: 30°								
						D: 5700K		4: 45°								
						E: 6000K		5: 60°								
								6: 55° x 20°								
Desired Model Number:																
XB.		WG.												0		0

Fixtures

Model No.	Description	Item Code
XB.WG.27113100	WASHER GO MICRO DC 25W 2700K 12° GS	DL23100056955
XB.WG.28113100	WASHER GO MICRO DC 25W 3000K 12° GS	DL23100057055
XB.WG.2A113100	WASHER GO MICRO DC 25W 4000K 12° GS	DL23100057155
XB.WG.2D113100	WASHER GO MICRO DC 25W 5700K 12° GS	DL23100057255
XB.WG.2E113100	WASHER GO MICRO DC 25W 6500K 12° GS	DL23100057355
XB.WG.27113000	WASHER GO MICRO DC 25W 2700K 12°	DL23100058255
XB.WG.28113000	WASHER GO MICRO DC 25W 3000K 12°	DL23100058355
XB.WG.2A113000	WASHER GO MICRO DC 25W 4000K 12°	DL23100058455
XB.WG.2D113000	WASHER GO MICRO DC 25W 5700K 12°	DL23100058555
XB.WG.2E113000	WASHER GO MICRO DC 25W 6500K 12°	DL23100058655
XB.WG.27213100	WASHER GO MICRO DC 25W 2700K 25° GS	DL23100059555
XB.WG.28213100	WASHER GO MICRO DC 25W 3000K 25° GS	DL23100059655
XB.WG.2A213100	WASHER GO MICRO DC 25W 4000K 25° GS	DL23100059755
XB.WG.2D213100	WASHER GO MICRO DC 25W 5700K 25° GS	DL23100059855
XB.WG.2E213100	WASHER GO MICRO DC 25W 6500K 25° GS	DL23100059955
XB.WG.27213000	WASHER GO MICRO DC 25W 2700K 25°	DL23100060855
XB.WG.28213000	WASHER GO MICRO DC 25W 3000K 25°	DL23100060955
XB.WG.2A213000	WASHER GO MICRO DC 25W 4000K 25°	DL23100061055
XB.WG.2D213000	WASHER GO MICRO DC 25W 5700K 25°	DL23100061155
XB.WG.2E213000	WASHER GO MICRO DC 25W 6500K 25°	DL23100061255
XB.WG.27313100	WASHER GO MICRO DC 25W 2700K 30° GS	DL23100062155
XB.WG.28313100	WASHER GO MICRO DC 25W 3000K 30° GS	DL23100062255
XB.WG.2A313100	WASHER GO MICRO DC 25W 4000K 30° GS	DL23100062355
XB.WG.2D313100	WASHER GO MICRO DC 25W 5700K 30° GS	DL23100062455
XB.WG.2E313100	WASHER GO MICRO DC 25W 6500K 30° GS	DL23100062555
XB.WG.27313000	WASHER GO MICRO DC 25W 2700K 30°	DL23100063455
XB.WG.28313000	WASHER GO MICRO DC 25W 3000K 30°	DL23100063555
XB.WG.2A313000	WASHER GO MICRO DC 25W 4000K 30°	DL23100063655
XB.WG.2D313000	WASHER GO MICRO DC 25W 5700K 30°	DL23100063755
XB.WG.2E313000	WASHER GO MICRO DC 25W 6500K 30°	DL23100063855

Washer Go Micro White

Ordering

Fixtures

Model No.	Description	Item Code
XB.WG.27413100	WASHER GO MICRO DC 25W 2700K 45° GS	DL23100064755
XB.WG.28413100	WASHER GO MICRO DC 25W 3000K 45° GS	DL23100064855
XB.WG.2A413100	WASHER GO MICRO DC 25W 4000K 45° GS	DL23100064955
XB.WG.2D413100	WASHER GO MICRO DC 25W 5700K 45° GS	DL23100065055
XB.WG.2E413100	WASHER GO MICRO DC 25W 6500K 45° GS	DL23100065155
XB.WG.27413000	WASHER GO MICRO DC 25W 2700K 45°	DL23100066055
XB.WG.28413000	WASHER GO MICRO DC 25W 3000K 45°	DL23100066155
XB.WG.2A413000	WASHER GO MICRO DC 25W 4000K 45°	DL23100066255
XB.WG.2D413000	WASHER GO MICRO DC 25W 5700K 45°	DL23100066355
XB.WG.2E413000	WASHER GO MICRO DC 25W 6500K 45°	DL23100066455
XB.WG.27513100	WASHER GO MICRO DC 25W 2700K 60° GS	DL23100067355
XB.WG.28513100	WASHER GO MICRO DC 25W 3000K 60° GS	DL23100067455
XB.WG.2A513100	WASHER GO MICRO DC 25W 4000K 60° GS	DL23100067555
XB.WG.2D513100	WASHER GO MICRO DC 25W 5700K 60° GS	DL23100067655
XB.WG.2E513100	WASHER GO MICRO DC 25W 6500K 60° GS	DL23100067755
XB.WG.27513000	WASHER GO MICRO DC 25W 2700K 60°	DL23100068655
XB.WG.28513000	WASHER GO MICRO DC 25W 3000K 60°	DL23100068755
XB.WG.2A513000	WASHER GO MICRO DC 25W 4000K 60°	DL23100068855
XB.WG.2D513000	WASHER GO MICRO DC 25W 5700K 60°	DL23100068955
XB.WG.2E513000	WASHER GO MICRO DC 25W 6500K 60°	DL23100069055
XB.WG.27613100	WASHER GO MICRO DC 25W 2700K 55x20° GS	DL23100069955
XB.WG.28613100	WASHER GO MICRO DC 25W 3000K 55x20° GS	DL23100070055
XB.WG.2A613100	WASHER GO MICRO DC 25W 4000K 55x20° GS	DL23100070155
XB.WG.2D613100	WASHER GO MICRO DC 25W 5700K 55x20° GS	DL23100070255
XB.WG.2E613100	WASHER GO MICRO DC 25W 6500K 55x20° GS	DL23100070355
XB.WG.27613000	WASHER GO MICRO DC 25W 2700K 55x20°	DL23100071255
XB.WG.28613000	WASHER GO MICRO DC 25W 3000K 55x20°	DL23100071355
XB.WG.2A613000	WASHER GO MICRO DC 25W 4000K 55x20°	DL23100071455
XB.WG.2D613000	WASHER GO MICRO DC 25W 5700K 55x20°	DL23100071555
XB.WG.2E613000	WASHER GO MICRO DC 25W 6500K 55x20°	DL23100071655

TX Connect

Model No.	Description	Item Code
N / A	STARTER CABLE JYK DC 5-PIN 0.5M	DA23100096155
N / A	STARTER CABLE JYK DC 5-PIN 2M	DA23100096255
N / A	INTERCONNECTION CABLE JYK DC 5-PIN 0.5M	DA23100096355
N / A	INTERCONNECTION CABLE JYK DC 5-PIN 2M	DA23100096455
N / A	END CAP JYK DC DATA 5-PIN W/TERM	DA23100096555
N / A	T-CABLE JYK 5-PIN DC POWER INJECTOR	DA23100096655
N / A	5-PIN POWERDATA to 4-PIN DATA CABLE JYK	DA23100096755

TX Control

Model No.	Description	Item Code
CD.SA.0000100	TX SMART ADDRESSER	AM438260055



TRAXON

TRAXON | ecue