



TRAXON

Washer Go Mini RGBW

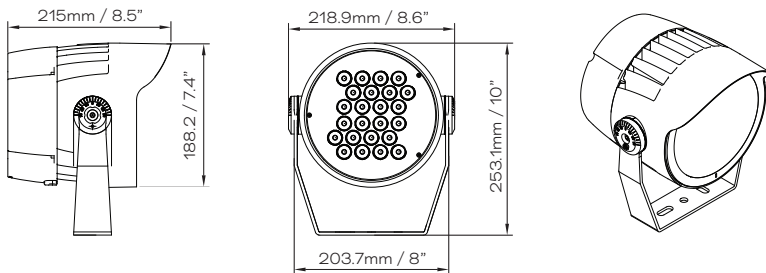


The Traxon Washer Go Mini is an AC line powered exterior luminaire used to distinguish facades, walls, and architectural landmarks with a powerful, even color wash effect. Washer Go's high-value design features efficient electrical and optical systems, making it ideal for budget-conscious projects. This product is intended for use in high-quality colored light applications.

Features

- DMX control
- Easy installation and maintenance

Dimensions



TRAXON Go⁺

Project: _____

Type: _____



IP66



COAST



DMX 512



ANSI 3G



IK07

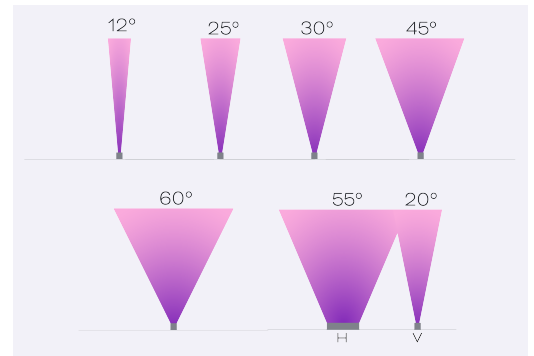
Technologies

- Manual-Addressing with TX Addresser

Color Options



Beam Angle



Finish



Traxon Signature Gray: RAL7005

Product Specifications

Model	Washer Go Mini RGBW
Light Source	RGBW: 24pcs LED (6R + 6G + 6B + 6W)
Color Range	RGBW (W=4000K)
LED Quantity	RGBW: 24pcs LED
Luminous Flux	2858 lm (full on 12°)
Candela	40306 cd (full on 12°)
Efficacy	56 lm/W (full on 12°)
CRI	≥ 80
SDCM	≤5 step
Beam Angles	12°, 25°, 30°, 45°, 60°, 55x20°
Cover Lens	Tempered Glass
Housing	Die Cast Aluminum
Housing Finish Options	Traxon Signature Gray (RAL7005)
Adjustment Options	-90° to +90°
Mounting	Yoke Mount
Dimensions (W x D x H)	219mm / 8.6" x 215mm / 8.5" x 253mm /10"
Weight	4.2kg / 9.3lbs
EPA	Front: 31852mm ² / 0.34ft ² Side: 39108mm ² / 0.42ft ²
Regulatory Listing & Safety Approval	cETLus, FCC, ANSI C136.31-3G
Operating Temperature	-30°C to +50°C (-22°F to +122°F)
Minimum Starting Temperature	-20°C (-4°F)
Storage Temperature	-40°C to +80°C (-40°F to +176°F)
Environment	Outdoor, IP66, IK07, Coastal Environment (ASTM B117-16)
Humidity	85%, non-condensing

Electrical Specifications

Input Voltage	120-277V AC
Power Consumption	50W
Lumen Maintenance	L70 50000hrs @ 25°C

System Specifications

Power	AC Line
Control	DMX 512
Addressing Options	Manual-Addressing with TX Addresser
Chipset	MR DMX05

LED CHARACTERISTICS Because LEDs are semiconductor devices, their performances are subject to inherent variability commonly found in semiconductor industry. To improve consistency in performance across the same product, LED manufacturers "sort" LEDs into bins according to different preset parameters, such as forward driving voltage, illumination, etc. Whereas binning is a sorting function, it is not a correction process. Inherent variability in the manufacturing process results always in different binning distributions according to different production lots. Traxon uses automatically binned LEDs on its products, thereby minimizing output variations within the model range.

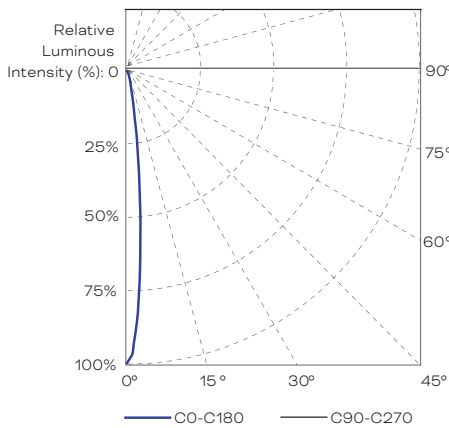
As with all electronic devices, LED output degrades over time - a term called lumen depreciation. This also explains why it is nearly impossible to expect photometric performances of two LED products with different service life spans to be the same. The rate of LED degrade is a complicate function of many factors such as operating efficiency, duration of continuous operation, and more significantly, environmental conditions (ambient temperature for example). If allowed working under optimal operating temperature range and with good ventilation, LED devices enjoy long service lives over conventional light sources. When using/installing LED devices, care should be taken to ensure that the devices will operate within the operating conditions specified in respective product literature.

This product contains a light source of energy efficiency class G to Regulation (EU) No 2019/2015. Lumen measurement complies with LM-79-08 standard. Lumen maintenance is calculated based on LM-80 compliant measurement.

Source Specifications

Source	RGBW: 24pcs LED (6R + 6G + 6B + 6W)
Optics	12°

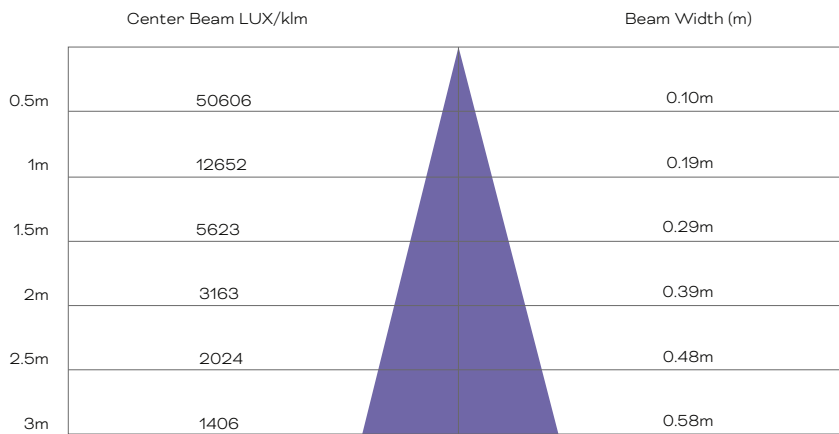
Candela Distribution



Light Output

Color	Luminous Flux (lm)	Center Intensity (cd)	Efficacy (lm/W)
RGBW (full-on)	2858	40306	56
RGB	1696	23919	54
Red	622	8772	54
Green	856	12072	66
Blue	254	3582	18
White	1112	15683	79

Illuminance at a Distance



● Horiz.Spread: 11.0°

For fc divide by 10.7

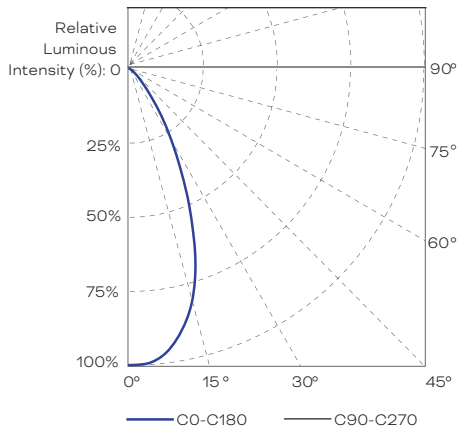
For feet multiply by 3.28

IES and LDT files are available for download from the Traxon website.

Source Specifications

Source	RGBW: 24pcs LED (6R + 6G + 6B + 6W)
Optics	60°

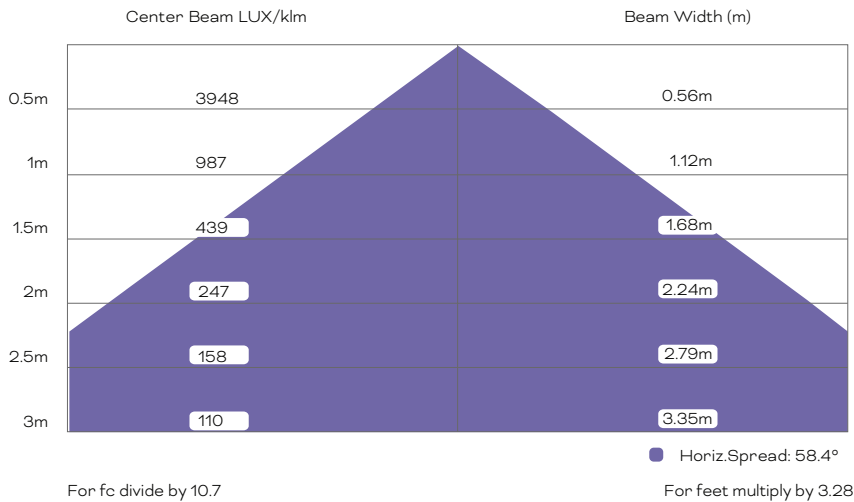
Candela Distribution



Light Output

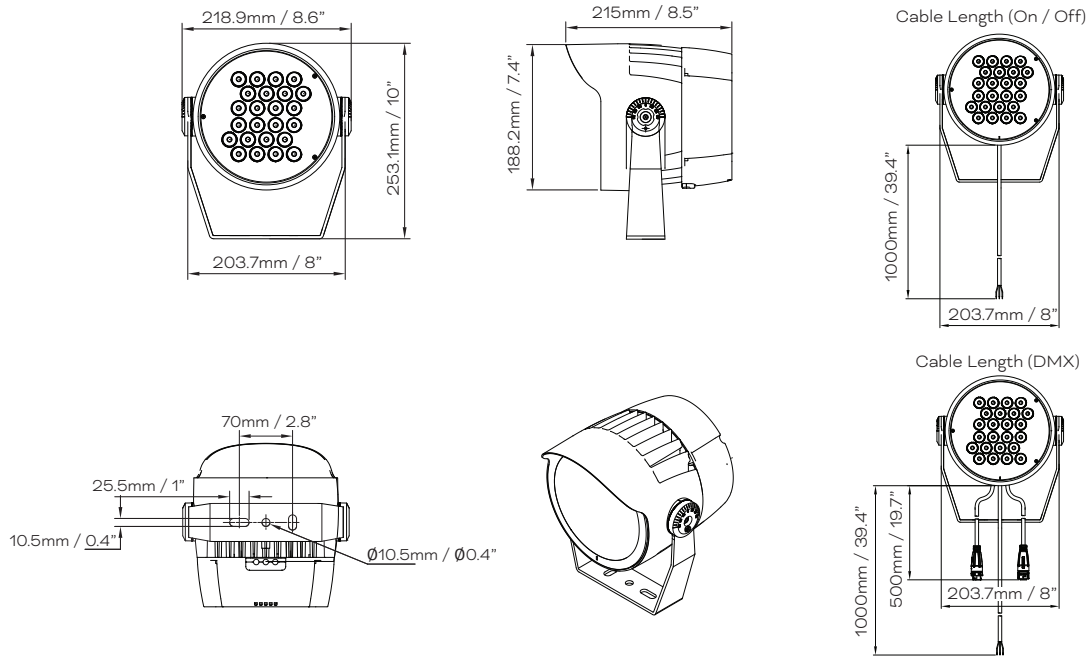
Color	Luminous Flux (lm)	Center Intensity (cd)	Efficacy (lm/W)
RGBW (full-on)	2429	2480	48
RGB	1442	1471	46
Red	529	540	46
Green	728	743	56
Blue	216	220	16
White	945	965	67

Illuminance at a Distance



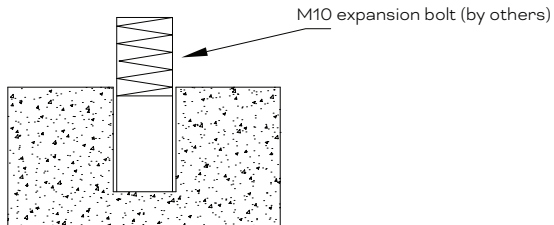
IES and LDT files are available for download from the Traxon website.

Fixture Dimensions

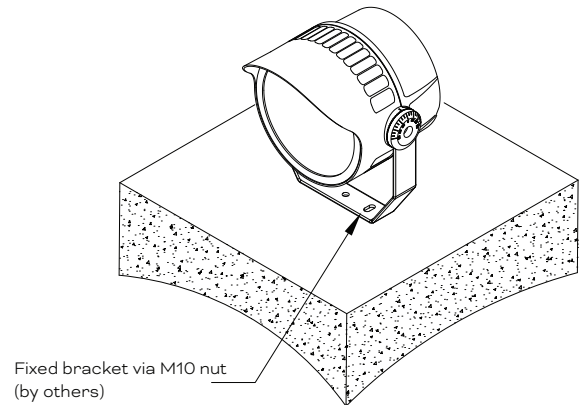


Bracket Mounting

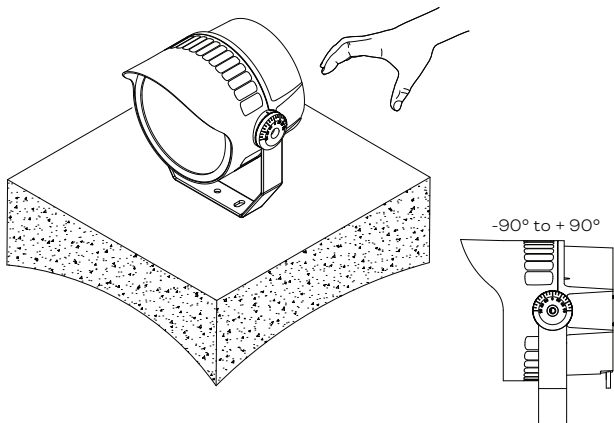
Install expansion screws on the fixed surface



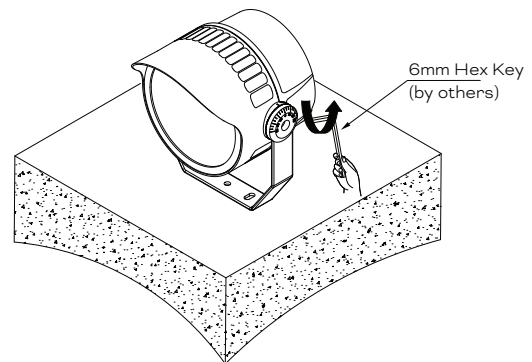
Fix the bracket



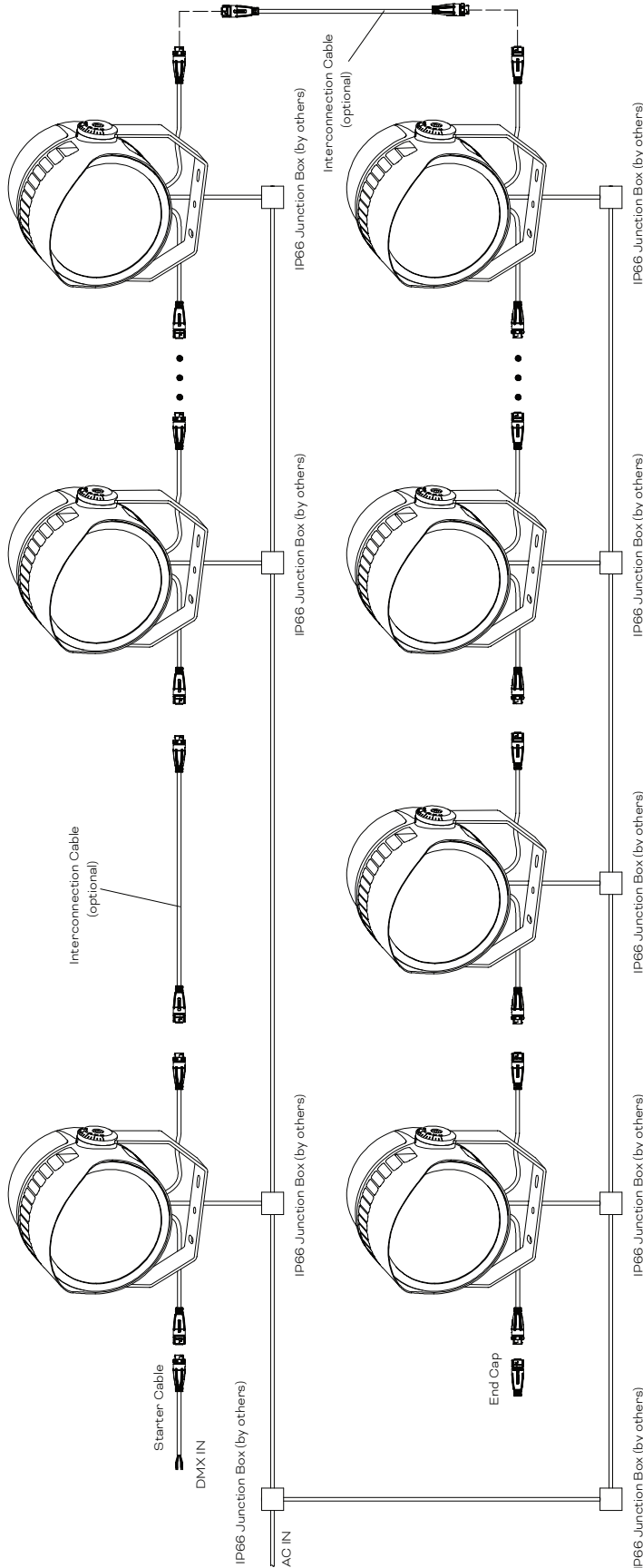
Adjust desired angles



Tighten the bracket bolts to fix the luminaire to the desired angle



A safety wire must be installed to provide secondary protection to prevent fixtures from falling and injuring people (by others).



-Data cabling from DMX source to Starter cable shall be Cat5e UTP or other cable type suitable for DMX communication.

For controlling the fixtures	For addressing the fixtures
80m / 262'	80m / 262'
30m / 98'	12m / 39'
200m / 656'	200m / 656'
40pcs	40pcs

Maximum number of fixtures is based on minimal interconnection lengths fixture to fixture.
Actual number of fixtures is dependent on cable interconnection lengths. The number of fixtures will reduce if longer cable lengths are used. Please consult regional sales office to confirm maximums.

Signal	Wire Size	Color	Connection
DMX+	0.5mm ²	Red	DMX+
DMX-	0.5mm ²	White	DMX-
Address	0.5mm ²	Black	GND
GND	0.5mm ²	Green	Do not connect

Washer Go Mini RGBW

Ordering

Model Number

XB	.	WG	.	N	.	N	.	N	.	N	.	1	.	0	.	0
		Wattage		LED		Optics		Control		Approbation		Add on				
		3: 50WAC		2: R+G+B+W4000K		1: 12°		1: DMX		2: ETL		1: With Glare Shield				
						2: 25°										
						3: 30°										
						4: 45°										
						5: 60°										
						6: 55° x 20°										
Desired Model Number:																
XB.		WG.										1		0		0

Fixtures

Model No.	Description	Item Code
XB.WG.32112100	WASHER GO MINI AC 50W RGBW40 12° ETL GS	DL23100087855
XB.WG.32212100	WASHER GO MINI AC 50W RGBW40 25° ETL GS	DL23100089155
XB.WG.32312100	WASHER GO MINI AC 50W RGBW40 30° ETL GS	DL23100090455
XB.WG.32412100	WASHER GO MINI AC 50W RGBW40 45° ETL GS	DL23100091755
XB.WG.32512100	WASHER GO MINI AC 50W RGBW40 60° ETL GS	DL23100093055
XB.WG.32612100	WASHER GO MINI AC 50W RGBW40 55x20° ETL GS	DL23100094355

TX Connect

Model No.	Description	Item Code
N / A	STARTER CABLE JYK DATA 4-PIN 0.5M	DA23100095655
N / A	STARTER CABLE JYK DATA 4-PIN 2M	DA23100095755
N / A	INTERCONNECTION CABLE JYK DATA 4-PIN 0.5M	DA23100095855
N / A	INTERCONNECTION CABLE JYK DATA 4-PIN 2M	DA23100095955
N / A	END CAP JYK DATA 4-PIN W/TERM	DA23100096055

TX Control

Model No.	Description	Item Code
CD.SA.0000100	TX SMART ADDRESSER	AM438260055



TRAXON