



TRAXON

Washer Go Mini White

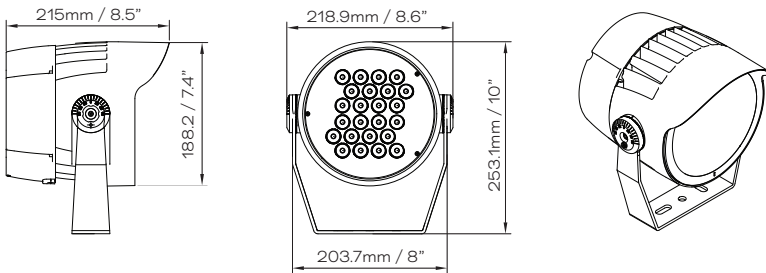


The Traxon Washer Go Mini is an AC line powered exterior luminaire used to distinguish facades, walls, and architectural landmarks with a powerful, even color wash effect. Washer Go's high-value design features efficient electrical and optical systems, making it ideal for budget-conscious projects.

Features

- DMX control
- Easy installation and maintenance

Dimensions



TRAXON Go⁺

Project: _____

Type: _____



IP66



COAST



DMX 512



ANSI 3G



IK07

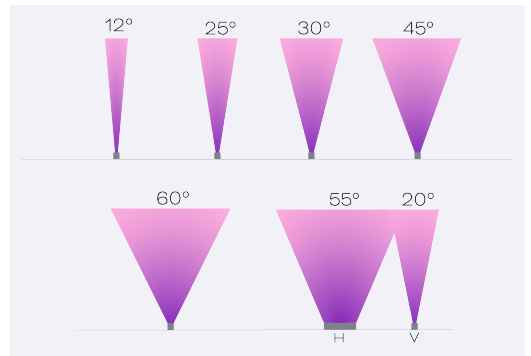
Technologies

- Manual-Addressing with TX Addresser

Color Options



Beam Angle



Finish



Traxon Signature Gray: RAL7005

Product Specifications

Model	Washer Go Mini White
Light Source	White: 24pcs LED
Color Range	White: 2700K, 3000K, 4000K, 5700K, 6500K
LED Quantity	24pcs LED
Luminous Flux	White 3000K: 3750 lm (full on 12°) White 4000K: 4250 lm (full on 12°)
Candela	White 3000K: 52886 cd (full on 12°) White 4000K: 59938 cd (full on 12°)
Efficacy	White 3000K: 75 lm/W (full on 12°) White 4000K: 85 lm/W (full on 12°)
CRI	≥ 80 (White: 2700K/3000K/4000K) ≥ 70 (White: 5700K/6500K)
SDCM	≤5 step
Beam Angles	12°, 25°, 30°, 45°, 60°, 55x20°
Cover Lens	Tempered Glass
Housing	Die Cast Aluminum
Housing Finish Options	Traxon Signature Gray (RAL7005)
Adjustment Options	-90° to +90°
Mounting	Yoke Mount
Dimensions (W x D x H)	219mm / 8.6" x 215mm / 8.5" x 253mm /10"
Weight	4.2kg / 9.3lbs
EPA	Front: 31852mm ² / 0.34ft ² Side: 39108mm ² / 0.42ft ²
Regulatory Listing & Safety Approval	cETLus, FCC, ANSI C136.31-3G
Operating Temperature	-30°C to +50°C (-22°F to +122°F)
Minimum Starting Temperature	-20°C (-4°F)
Storage Temperature	-40°C to +80°C (-40°F to +176°F)
Environment	Outdoor, IP66, IK07, Coastal Environment (ASTM B117-16)
Humidity	85%, non-condensing

Electrical Specifications

Input Voltage	120-277V AC
Power Consumption	50W
Lumen Maintenance	L70 50000hrs @ 25°C

System Specifications

Power	AC Line
Control	DMX 512
Addressing Options	Manual-Addressing with TX Addresser
Chipset	MR DMX05

LED CHARACTERISTICS Because LEDs are semiconductor devices, their performances are subject to inherent variability commonly found in semiconductor industry. To improve consistency in performance across the same product, LED manufacturers "sort" LEDs into bins according to different preset parameters, such as forward driving voltage, illumination, etc. Whereas binning is a sorting function, it is not a correction process. Inherent variability in the manufacturing process results always in different binning distributions according to different production lots. Traxon uses automatically binned LEDs on its products, thereby minimizing output variations within the model range.

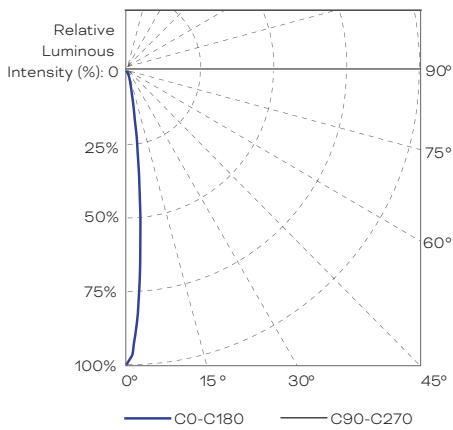
As with all electronic devices, LED output degrades over time – a term called lumen depreciation. This also explains why it is nearly impossible to expect photometric performances of two LED products with different service life spans to be the same. The rate of LED degrade is a complicate function of many factors such as operating efficiency, duration of continuous operation, and more significantly, environmental conditions (ambient temperature for example). If allowed working under optimal operating temperature range and with good ventilation, LED devices enjoy long service lives over conventional light sources. When using/installing LED devices, care should be taken to ensure that the devices will operate within the operating conditions specified in respective product literature.

Lumen measurement complies with LM-79-08 standard.
Lumen maintenance is calculated based on LM-80 compliant measurement.

Source Specifications

Source	White: 24pcs LED
Optics	12°

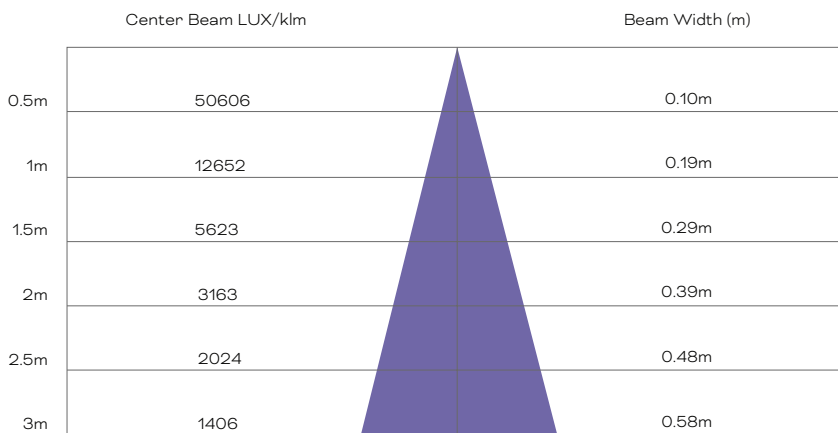
Candela Distribution



Light Output

Color	Luminous Flux (lm)	Center Intensity (cd)	Efficacy (lm/W)
2700K	3500	49361	70
3000K	3750	52886	75
4000K	4250	59938	85
5700K	4250	59938	85

Illuminance at a Distance



● Horiz.Spread: 11.0°

For fc divide by 10.7

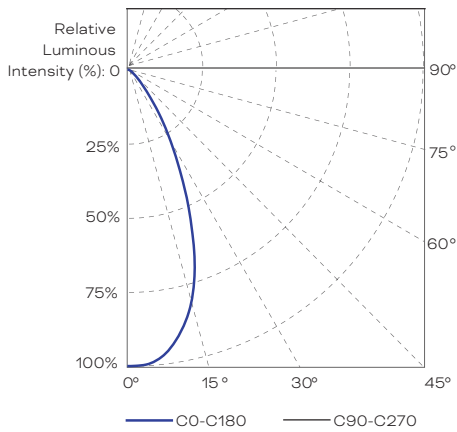
For feet multiply by 3.28

IES and LDT files are available for download from the Traxon website.

Source Specifications

Source	White: 24pcs LED
Optics	60°

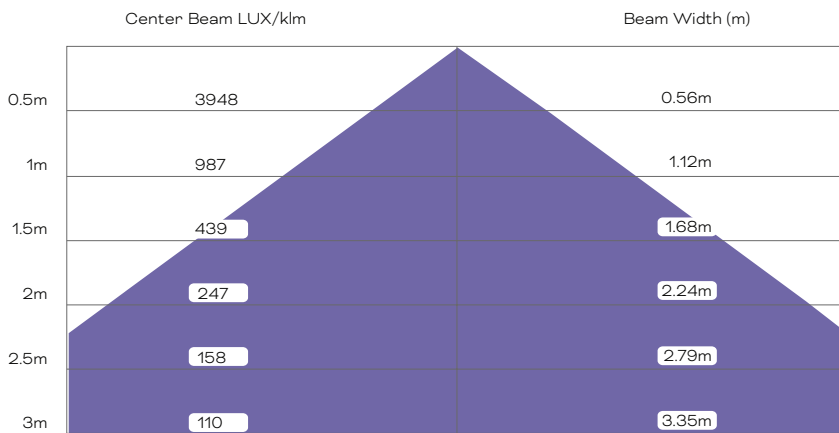
Candela Distribution



Light Output

Color	Luminous Flux (lm)	Center Intensity (cd)	Efficacy (lm/W)
2700K	2975	3037	60
3000K	3188	3253	64
4000K	3613	3687	72
5700K	3613	3687	72

Illuminance at a Distance



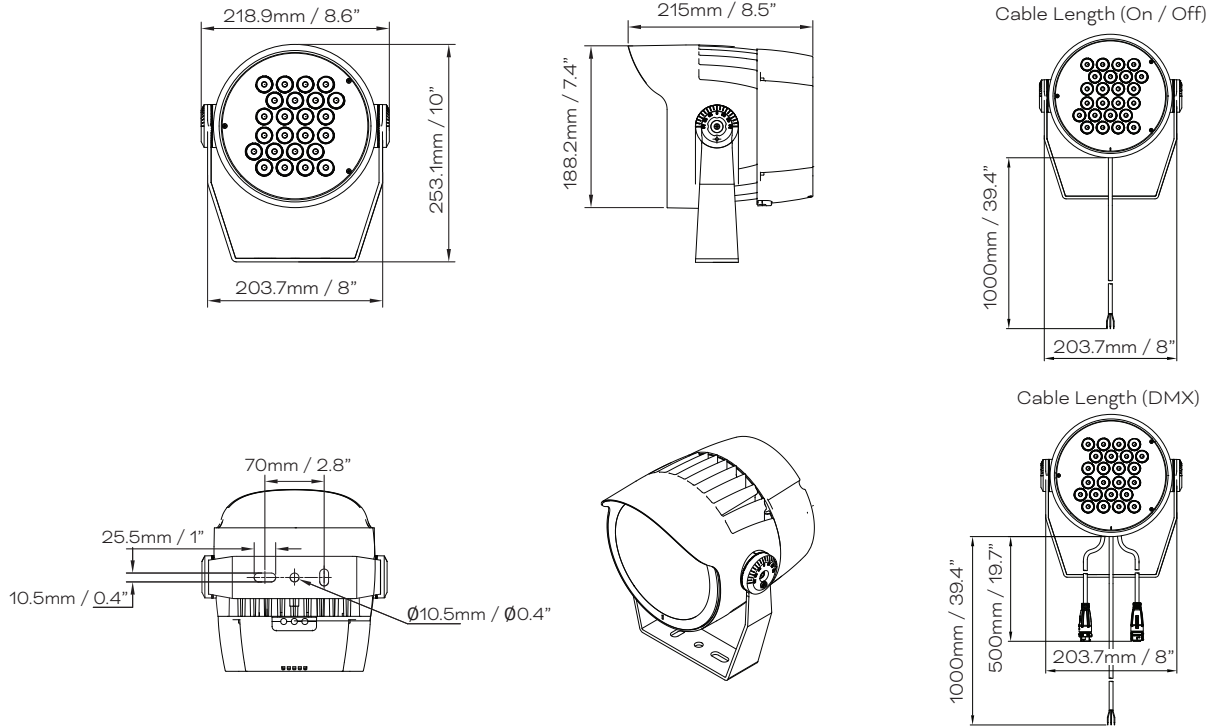
● Horiz.Spread: 58.4°

For fc divide by 10.7

For feet multiply by 3.28

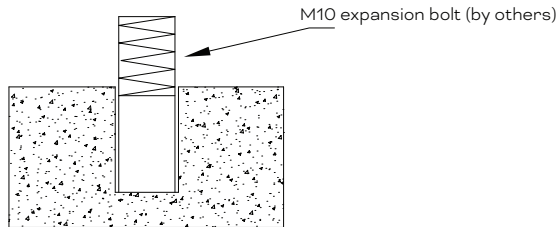
IES and LDT files are available for download from the Traxon website.

Fixture Dimensions

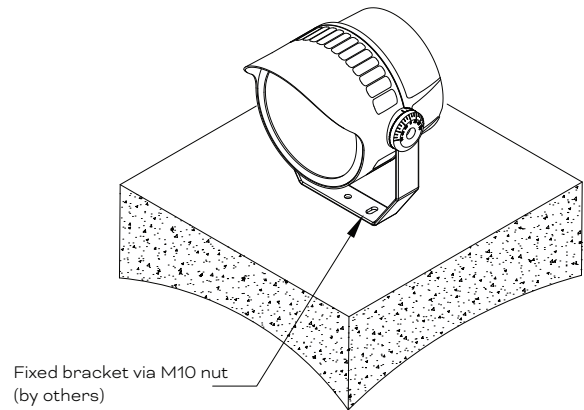


Bracket Mounting

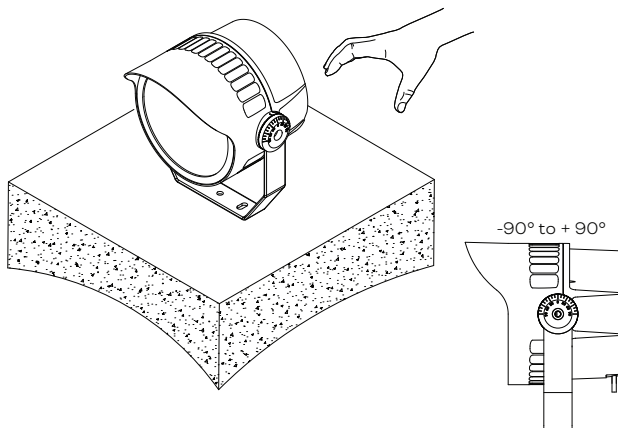
Install expansion screws on the fixed surface



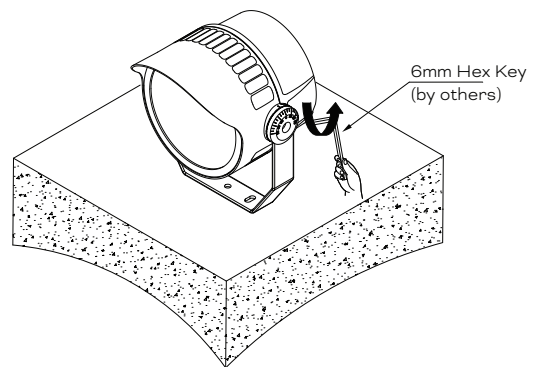
Fix the bracket



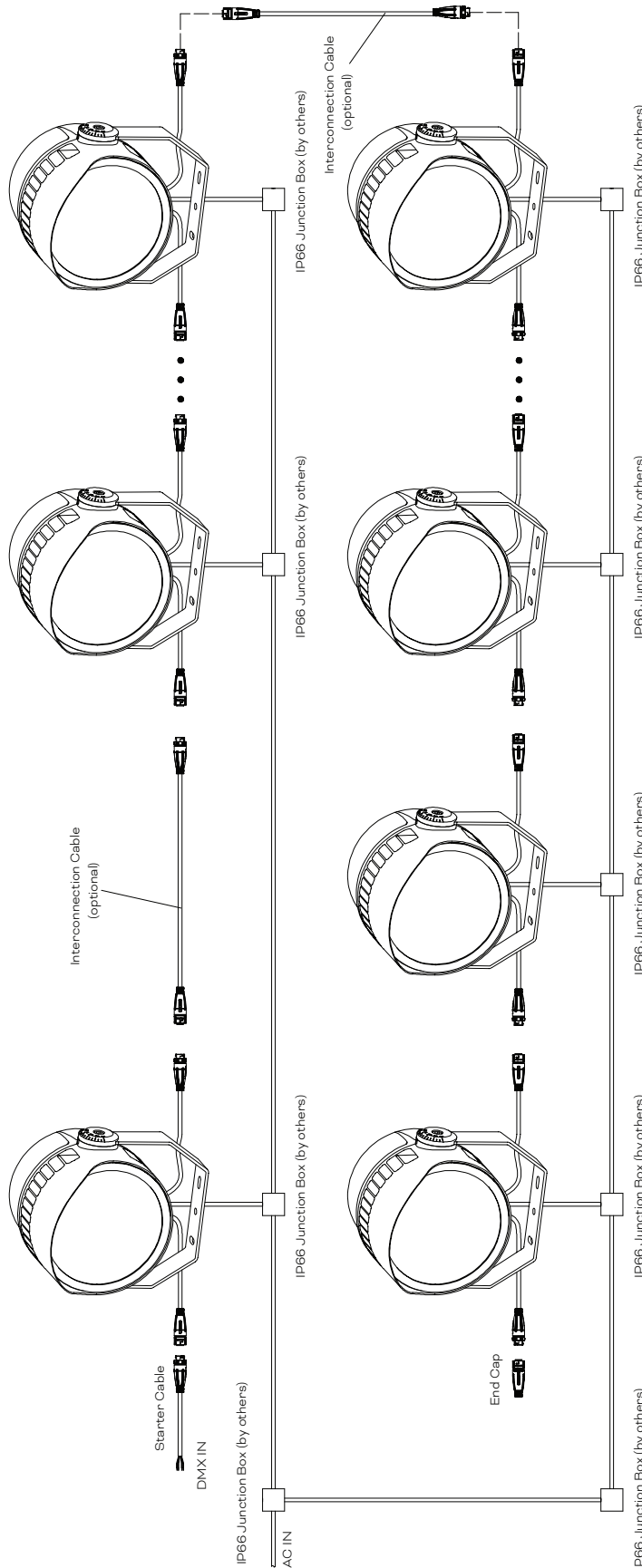
Adjust desired angles



Tighten the bracket bolts to fix the luminaire to the desired angle



A safety wire must be installed to provide secondary protection to prevent fixtures from falling and injuring people (by others).



-Data cabling from DMX source to Starter cable shall be Cat5e UTP or other cable type suitable for DMX communication.

Signal	Wire Size	Color	Connection
DMX+	0.5mm ²	Red	DMX+
DMX-	0.5mm ²	White	DMX-
Address	0.5mm ²	Black	GND
GND	0.5mm ²	Green	Do not connect

	For controlling the fixtures	For addressing the fixtures
Maximum distance from Control/Addressing source to the first fixture	80m / 262'	80m / 262'
Maximum distance between fixture to fixture	30m / 98'	12m / 39'
Maximum distance from Control source to last fixture on a single DMX512 link	200m / 656'	200m / 656'
Maximum number of fixtures on a single DMX512 link	40pcs	40pcs

Maximum number of fixtures is based on minimal interconnection lengths fixture to fixture.
Actual number of fixtures is dependent on cable interconnection lengths. The number of fixtures will reduce if longer cable lengths are used. Please consult regional sales office to confirm maximums.

Washer Go Mini White

Ordering

Model Number

XB	.	WG	.	N	.	N	.	N	.	N	.	1	.	0	.	0
				Wattage		LED		Optics		Control		Approbation		Add on		
				3: 50WAC		7: 2700K		1: 12°		1: DMX		2: ETL		1: With Glare Shield		
						8: 3000K		2: 25°								
						A: 4000K		3: 30°								
						D: 5700K		4: 45°								
						E: 6000K		5: 60°								
								6: 55° x 20°								
Desired Model Number:																
XB.		WG.										1		0		0

Fixtures

Model No.	Description	Item Code
XB.WG.37112100	WASHER GO MINI AC 50W 2700K 12° ETL GS	DL23100088155
XB.WG.38112100	WASHER GO MINI AC 50W 3000K 12° ETL GS	DL23100088255
XB.WG.3A112100	WASHER GO MINI AC 50W 4000K 12° ETL GS	DL23100088355
XB.WG.3D112100	WASHER GO MINI AC 50W 5700K 12° ETL GS	DL23100088455
XB.WG.3E112100	WASHER GO MINI AC 50W 6500K 12° ETL GS	DL23100088555
XB.WG.37212100	WASHER GO MINI AC 50W 2700K 25° ETL GS	DL23100089455
XB.WG.38212100	WASHER GO MINI AC 50W 3000K 25° ETL GS	DL23100089555
XB.WG.3A212100	WASHER GO MINI AC 50W 4000K 25° ETL GS	DL23100089655
XB.WG.3D212100	WASHER GO MINI AC 50W 5700K 25° ETL GS	DL23100089755
XB.WG.3E212100	WASHER GO MINI AC 50W 6500K 25° ETL GS	DL23100089855
XB.WG.37312100	WASHER GO MINI AC 50W 2700K 30° ETL GS	DL23100090755
XB.WG.38312100	WASHER GO MINI AC 50W 3000K 30° ETL GS	DL23100090855
XB.WG.3A312100	WASHER GO MINI AC 50W 4000K 30° ETL GS	DL23100090955
XB.WG.3D312100	WASHER GO MINI AC 50W 5700K 30° ETL GS	DL23100091055
XB.WG.3E312100	WASHER GO MINI AC 50W 6500K 30° ETL GS	DL23100091155
XB.WG.37412100	WASHER GO MINI AC 50W 2700K 45° ETL GS	DL23100092055
XB.WG.38412100	WASHER GO MINI AC 50W 3000K 45° ETL GS	DL23100092155
XB.WG.3A412100	WASHER GO MINI AC 50W 4000K 45° ETL GS	DL23100092255
XB.WG.3D412100	WASHER GO MINI AC 50W 5700K 45° ETL GS	DL23100092355
XB.WG.3E412100	WASHER GO MINI AC 50W 6500K 45° ETL GS	DL23100092455
XB.WG.37512100	WASHER GO MINI AC 50W 2700K 60° ETL GS	DL23100093355
XB.WG.38512100	WASHER GO MINI AC 50W 3000K 60° ETL GS	DL23100093455
XB.WG.3A512100	WASHER GO MINI AC 50W 4000K 60° ETL GS	DL23100093555
XB.WG.3D512100	WASHER GO MINI AC 50W 5700K 60° ETL GS	DL23100093655
XB.WG.3E512100	WASHER GO MINI AC 50W 6500K 60° ETL GS	DL23100093755
XB.WG.37612100	WASHER GO MINI AC 50W 2700K 55x20° ETL GS	DL23100094655
XB.WG.38612100	WASHER GO MINI AC 50W 3000K 55x20° ETL GS	DL23100094755
XB.WG.3A612100	WASHER GO MINI AC 50W 4000K 55x20° ETL GS	DL23100094855
XB.WG.3D612100	WASHER GO MINI AC 50W 5700K 55x20° ETL GS	DL23100094955
XB.WG.3E612100	WASHER GO MINI AC 50W 6500K 55x20° ETL GS	DL23100095055

TX Connect

Model No.	Description	Item Code
N / A	STARTER CABLE JYK DATA 4-PIN 0.5M	DA23100095655
N / A	STARTER CABLE JYK DATA 4-PIN 2M	DA23100095755
N / A	INTERCONNECTION CABLE JYK DATA 4-PIN 0.5M	DA23100095855
N / A	INTERCONNECTION CABLE JYK DATA 4-PIN 2M	DA23100095955
N / A	END CAP JYK DATA 4-PIN W/TERM	DA23100096055

TX Control

Model No.	Description	Item Code
CD.SA.0000100	TX SMART ADDRESSER	AM438260055

