



Media Tube® HO RGBW

Media Tube® HO family is a range of versatile media border lighting system for media façade application. It comes with the variety of LED options and accessories, and also provides a standardized platform for any custom-made request such as control channels, LEDs combination and mounting accessories, etc.



48V DC

Product Specifications

	Direct View					Diffused				
Pixels	12PXL	24PXL	36PXL	48PXL	60PXL	12PXL	24PXL	36PXL	48PXL	60PXL
Light Source (LEDs)	High intensity SMT RGB and White LEDs									
Color Range	16.7 Million additive RGB colors; White CCT 6500K									
Beam Angle	110°					175°				
Luminous Flux¹	572 lm / m					408 lm / m				
Efficacy¹	41 lm / W					33 lm / W				
Cover Lens	Clear Cover (PC)					Diffuser (PC)				
LED Cluster & Pixel Pitch²	25mm									
Auto-White	Algorithms enable auto control of white LED by 3-channel RGB values									
Housing	Aluminium housing									
Dimensions (W x H)	23mm x 36mm 0.9" x 1.4"					29mm x 54mm 1.1" x 2.1"				
(L)	296mm 12"	596mm 24"	896mm 36"	1196mm 48"	1496mm 60"	296mm 12"	596mm 24"	896mm 36"	1196mm 48"	1496mm 60"
Weight	0.36kg 0.8lbs	0.58kg 1.3lbs	0.8kg 1.8lbs	1.02kg 2.3lbs	1.24kg 2.7lbs	0.4kg 0.9lbs	0.52kg 1.2lbs	0.84kg 1.9lbs	1.06kg 2.3lbs	1.28kg 2.8lbs
Regulatory Listing & Safety Approval	cETLus									
Operating Temperature	-30°C to +55°C / -22°F to +131°F									
Storage Temperature	-40°C to +70°C / -40°F to +158°F									
Environment	Outdoor, IP66, IK09, suitable for coastal environments									
Humidity	0-90%, non-condensing									

Electrical Specifications

Operating Voltage	48V DC									
Power Consumption (Typical)	4.6W	8.6W	12.5W	16.6W	20.9W	4.6W	8.6W	12.5W	16.6W	20.9W

System Specifications

Power/Data Interface	TX CONNECT									
Control	DMX / e:pix / DVI Capable									
Power Supply	LED Engine 1000W 48V Indoor / LED Engine 240W 48V Outdoor / LED Engine 100W 48V Outdoor									
Addressing Options	Auto-Addressing									

1. Based on photometric data and typical power consumption of Media Tube® HO RGBW 1496mm
2. Pixel pitch is configurable via ActionPad

LED CHARACTERISTICS Because LEDs are semiconductor devices, their performances are subject to inherent variability commonly found in semiconductor industry. To improve consistency in performance across the same product, LED manufacturers "sort" LEDs into bins according to different preset parameters, such as forward driving voltage, illumination, etc. Whereas binning is a sorting function, it is not a correction process. Inherent variability in the manufacturing process results always in different binning distributions according to different production lots. Traxon uses automatically binned LEDs on its products, thereby minimizing output variations within the model range.

As with all electronic devices, LED output degrades over time – a term called lumen depreciation. This also explains why it is nearly impossible to expect photometric performances of two LED products with different service life spans to be the same. The rate of LED degrade is a complicate function of many factors such as operating efficiency, duration of continuous operation, and more significantly, environmental conditions (ambient temperature for example). If allowed working under optimal operating temperature range and with good ventilation, LED devices enjoy long service lives over conventional light sources. When using/installing LED devices, care should be taken to ensure that the devices will operate within the operating conditions specified in respective product literature.

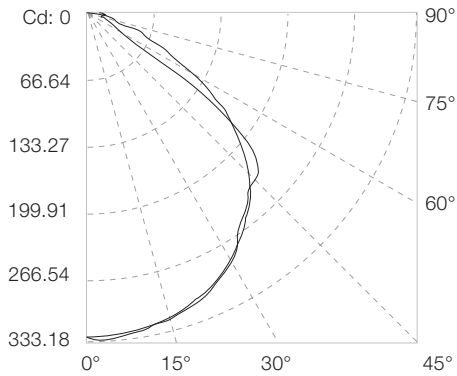
www.traxontechnologies.com

©2018 TRAXON TECHNOLOGIES - AN OSRAM BUSINESS. ALL RIGHTS RESERVED. TRAXON™, TX CONNECT®, ARE TRADEMARKS OF TRAXON TECHNOLOGIES. U.S. PATENTS, E.U. PATENTS, JAPAN PATENTS, OTHER PATENTS PENDING. SPECIFICATIONS ARE SUBJECT TO CHANGE WITHOUT NOTICE.

Source Specifications

Source	60 LED clusters
Optics	110°
Cover Lens	Clear PC Cover

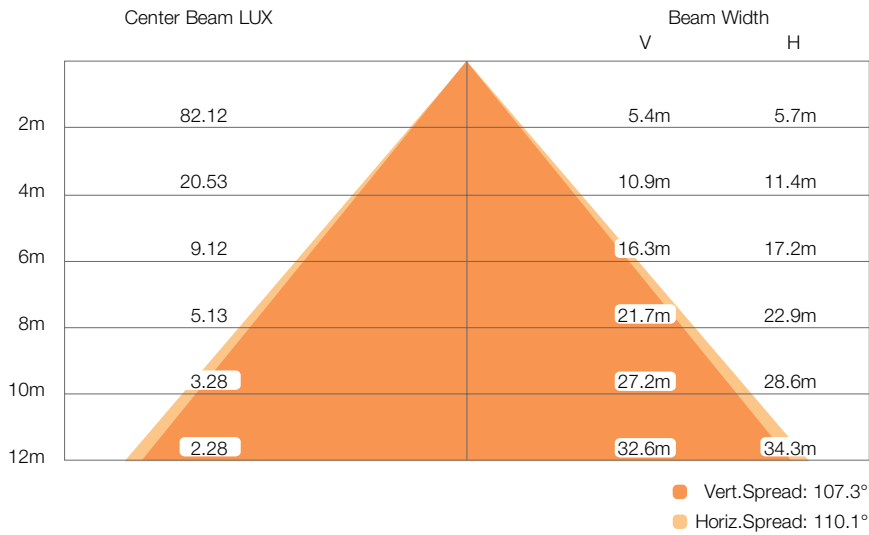
Candela Distribution



Light Output

Color	Luminous Flux (lm)
Full ON	859.40
White	423.30
RGB	450.10
Red	131.36
Green	294.90
Blue	34.70

Illuminance at a Distance

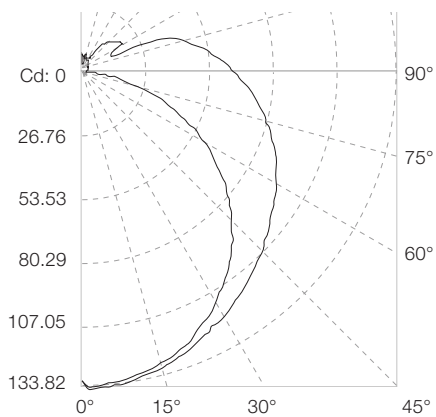


IES and LDT files are available for download from the Traxon website.

Source Specifications

Source	60 LED clusters
Optics	175°
Cover Lens	PC Diffuser

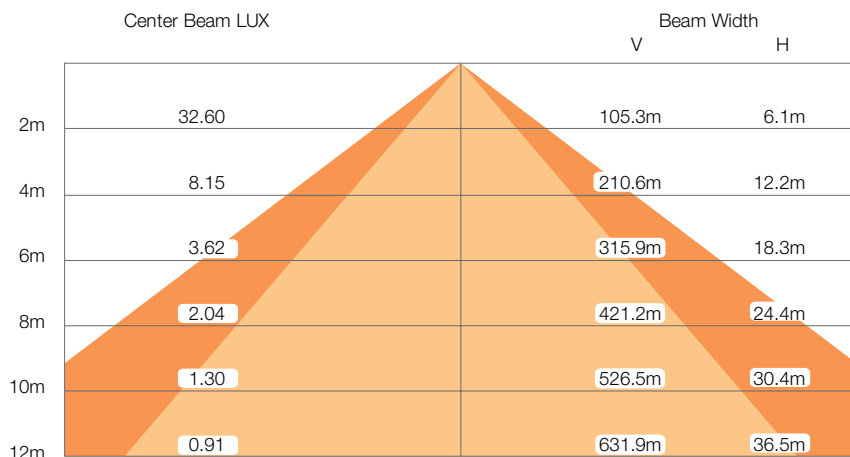
Candela Distribution



Light Output

Color	Luminous Flux (lm)
Full ON	611.94
White	296.84
RGB	328.75
Red	97.72
Green	214.95
Blue	26.53

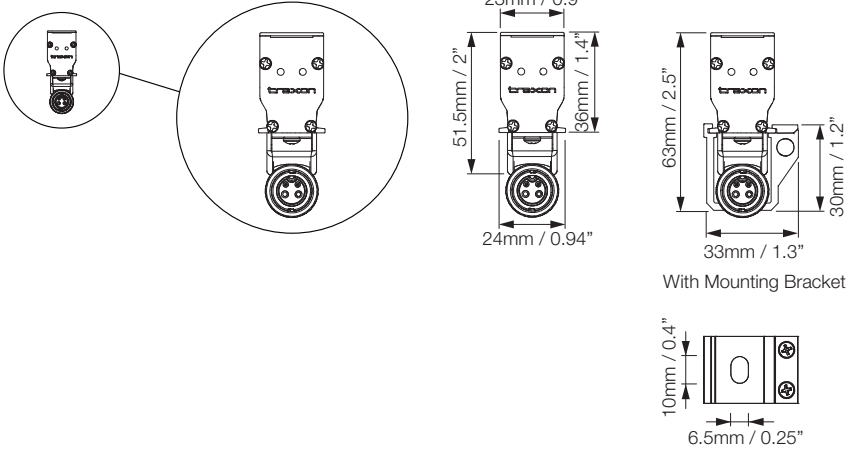
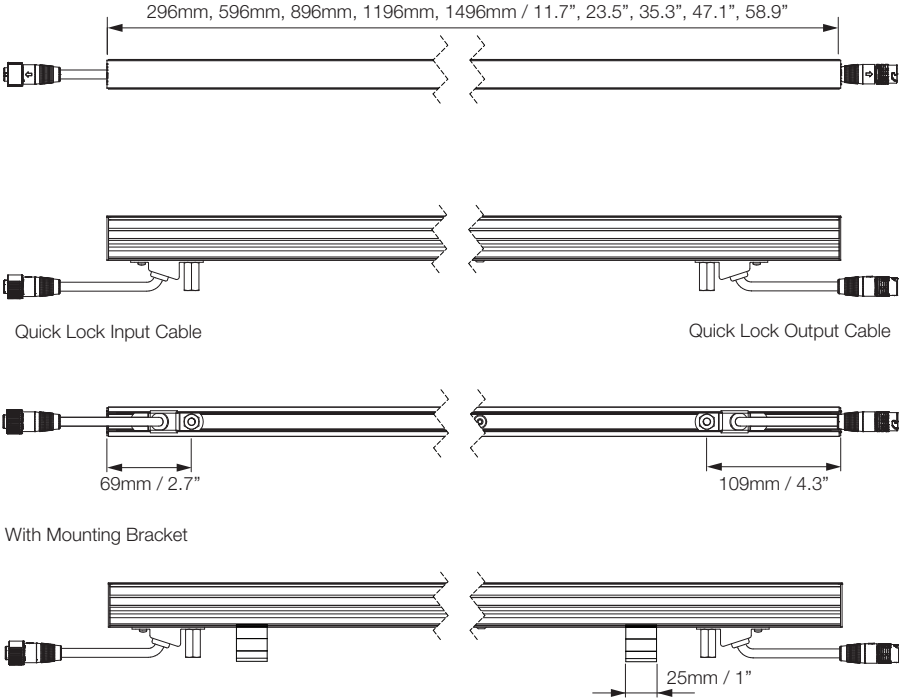
Illuminance at a Distance



- Vert.Spread: 175.7°
- Horiz.Spread: 113.5°

IES and LDT files are available for download from the Traxon website.

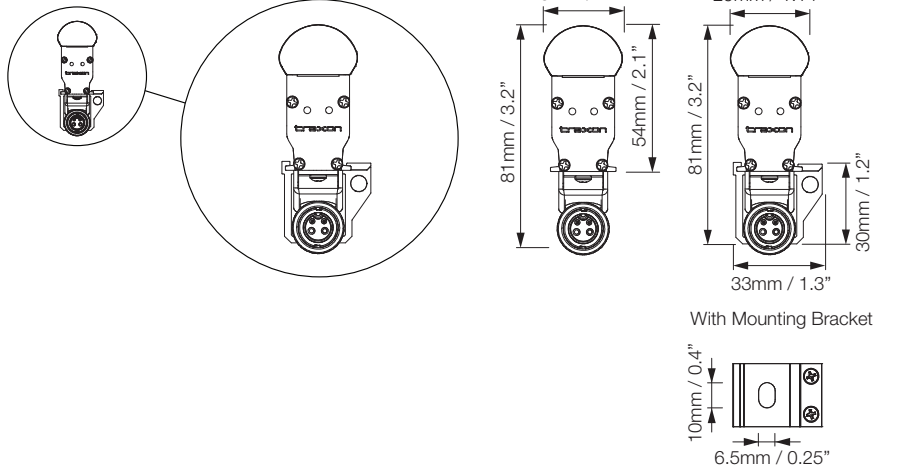
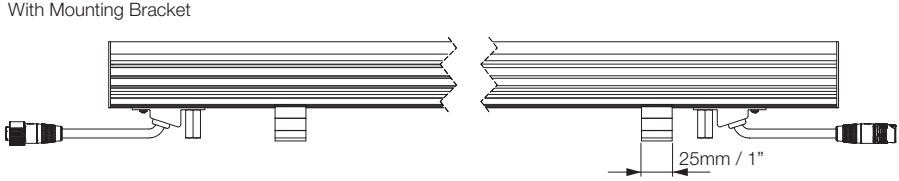
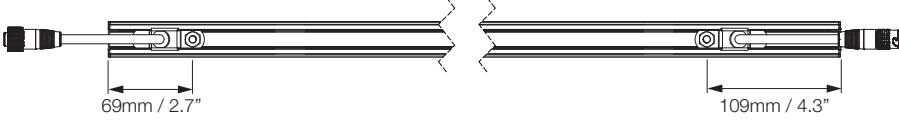
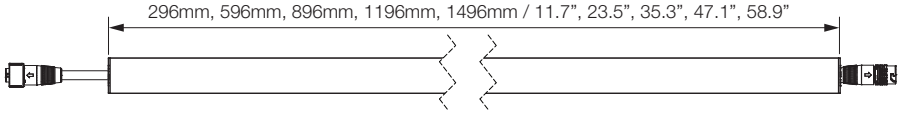
Media Tube® HO RGBW – Direct View



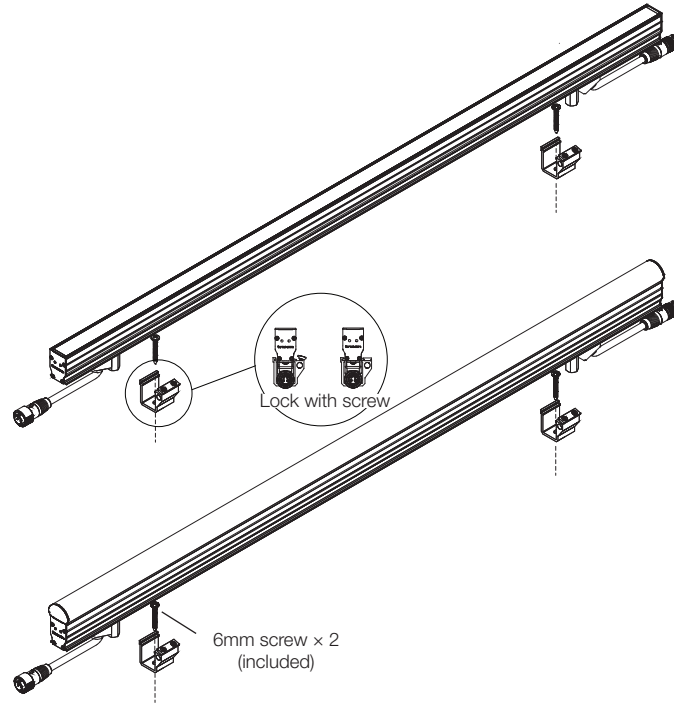
Media Tube® HO RGBW

Dimensions

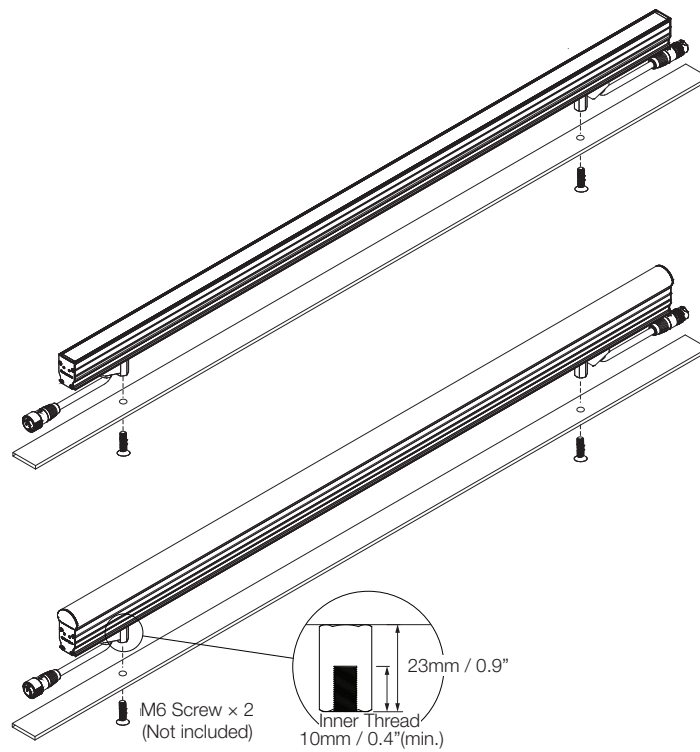
Media Tube® HO RGBW – Diffused



Mounting with Mounting Brackets



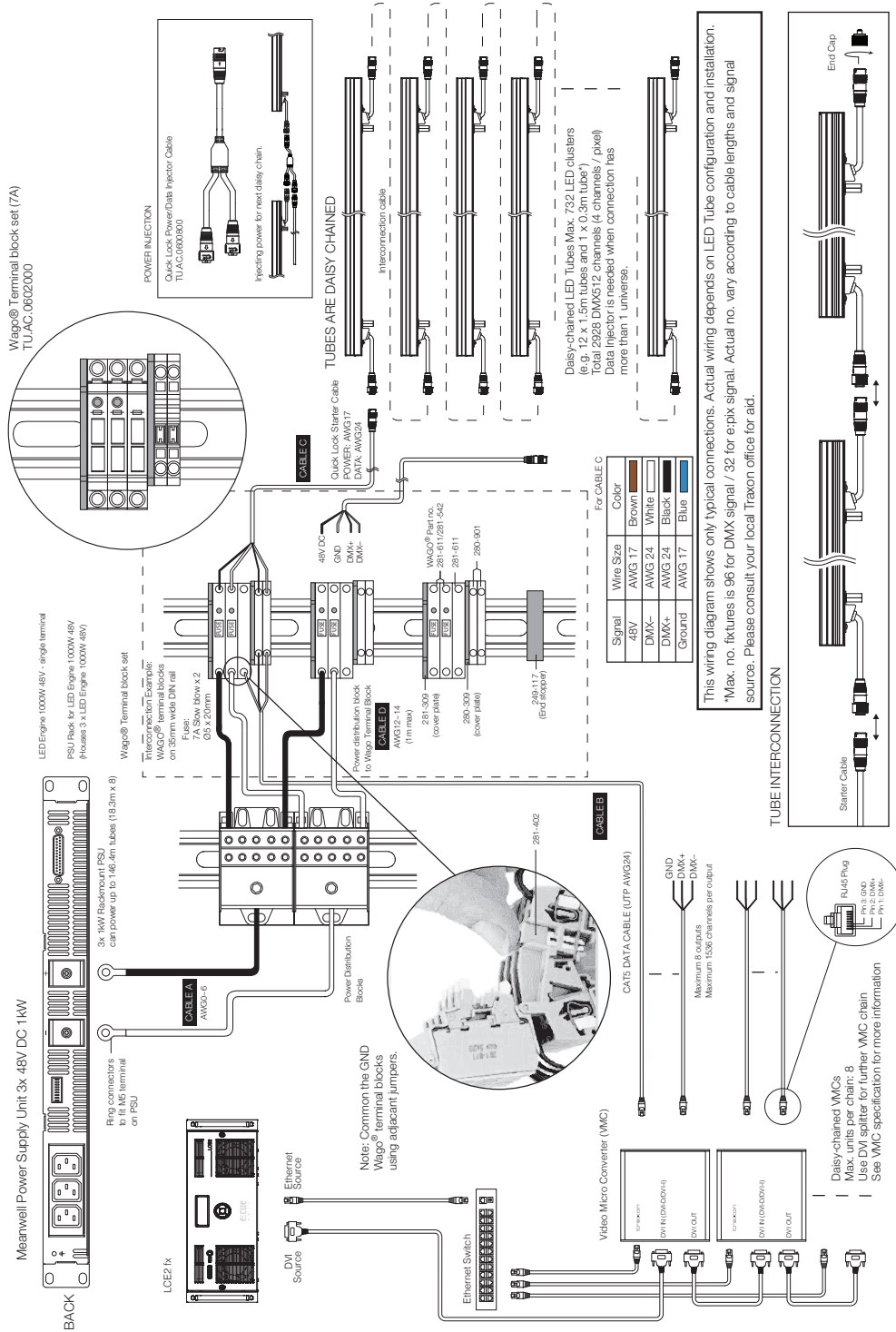
Mounting with Mounting Studs



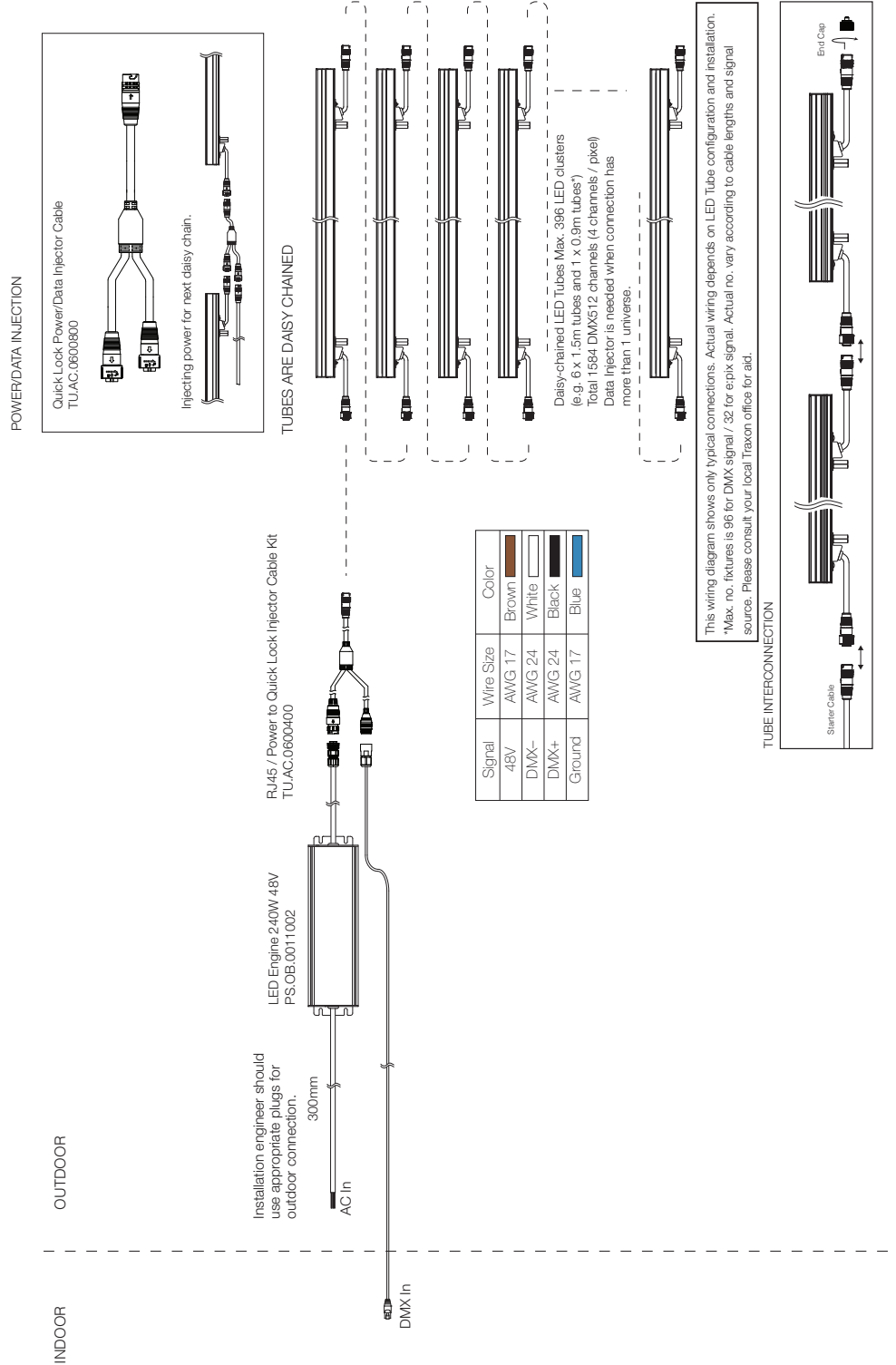
www.traxontechnologies.com

©2018 TRAXON TECHNOLOGIES - AN OSRAM BUSINESS. ALL RIGHTS RESERVED. TRAXON™, TX CONNECT®, ARE TRADEMARKS OF TRAXON TECHNOLOGIES. U.S. PATENTS, E.U. PATENTS, JAPAN PATENTS, OTHER PATENTS PENDING. SPECIFICATIONS ARE SUBJECT TO CHANGE WITHOUT NOTICE.

1000W PSU with 7A Fuse per Daisy Chain System Diagram



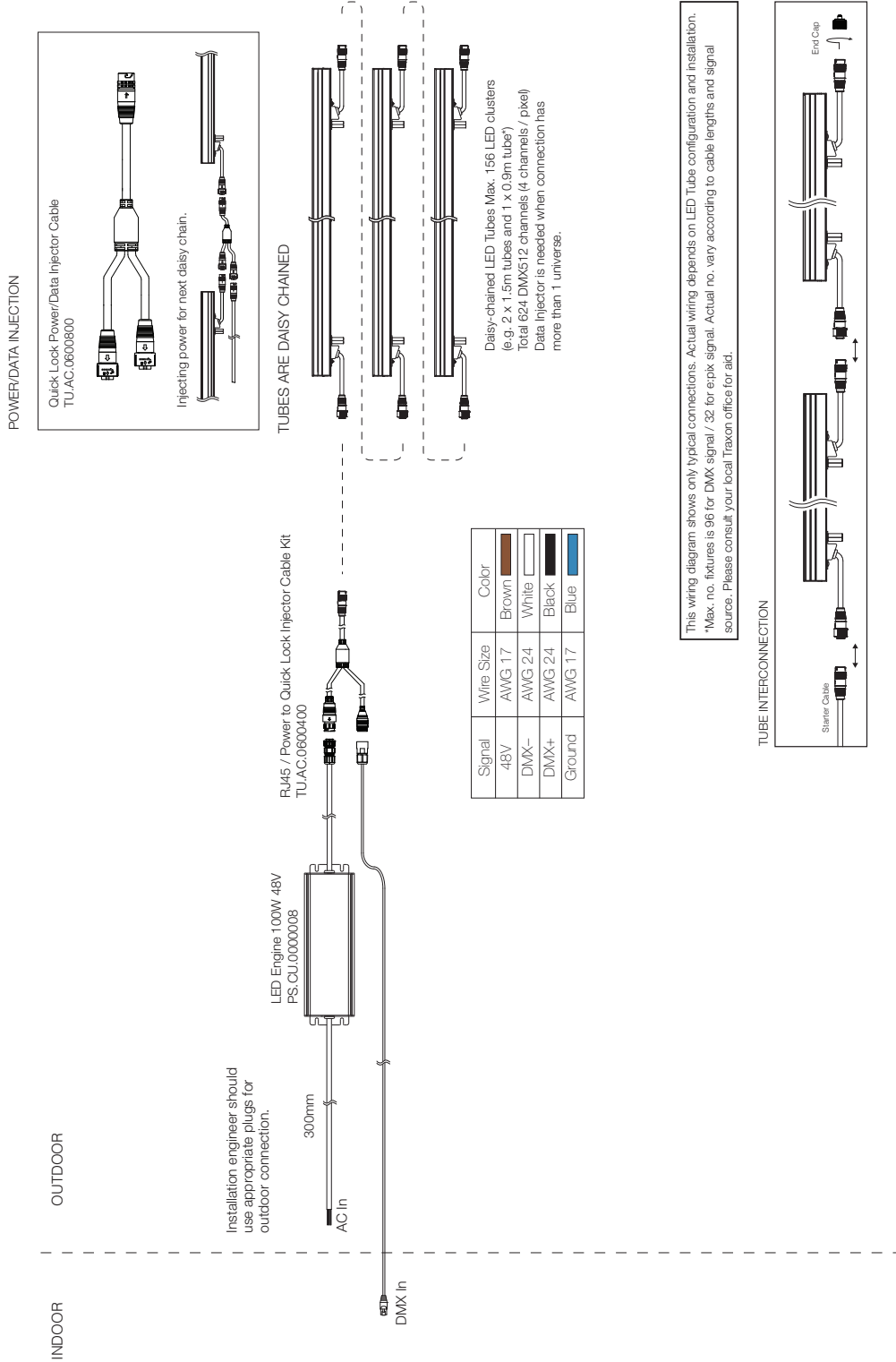
240W PSU System Diagram



www.traxontechnologies.com

©2018 TRAXON TECHNOLOGIES - AN OSRAM BUSINESS. ALL RIGHTS RESERVED. TRAXON™, TX CONNECT®, ARE TRADEMARKS OF TRAXON TECHNOLOGIES. U.S. PATENTS, E.U. PATENTS, JAPAN PATENTS, OTHER PATENTS PENDING. SPECIFICATIONS ARE SUBJECT TO CHANGE WITHOUT NOTICE.

100W PSU System Diagram





Media Tube® HO RGBW

Ordering

Model Number

TU	XX	N	1	NN	0	0	3
	Cover Lens	Length		Pixels per Tube			
	CS: Direct View	1: 296mm (12")		12: 12PXL / tube			
	DS: Diffused	2: 596mm (24")		24: 24PXL / tube			
		3: 896mm (36")		36: 36PXL / tube			
		4: 1196mm(48")		48: 48PXL / tube			
		5: 1496mm(60")		60: 60PXL / tube			

Fixtures

Model No.	Description	Item Code
TU.CS.1112003	MEDIA TUBE HO DIRECT 296 RGBW 12PXL	AM209190055
TU.CS.2124003	MEDIA TUBE HO DIRECT 596 RGBW 24PXL	AM209210055
TU.CS.3136003	MEDIA TUBE HO DIRECT 896 RGBW 36PXL	AM209230055
TU.CS.4148003	MEDIA TUBE HO DIRECT 1196 RGBW 48PXL	AM209250055
TU.CS.5160003	MEDIA TUBE HO DIRECT 1496 RGBW 60PXL	AM209270055
TU.DS.1112003	MEDIA TUBE HO DIFFUSED 296 RGBW 12PXL	AM209290055
TU.DS.2124003	MEDIA TUBE HO DIFFUSED 596 RGBW 24PXL	AM209310055
TU.DS.3136003	MEDIA TUBE HO DIFFUSED 896 RGBW 36PXL	AM209330055
TU.DS.4148003	MEDIA TUBE HO DIFFUSED 1196 RGBW 48PXL	AM209350055
TU.DS.5160003	MEDIA TUBE HO DIFFUSED 1496 RGBW 60PXL	AM209370055

Standard Accessories (Included in delivery)

Model No.	Description	Item Code
N/A	2 x Mounting Brackets, 2 x Screws, 2 x Bolts and Assortment of Nuts and Washers	N/A

Optional Accessories

Model No.	Description	Item Code
TU.AC.0600000	Quick Lock Connector End Cap	AB452180055

TX Control

Model No.	Description	Item Code
160185	Video Micro Converter (DMX/e:pix)	AA438940235
160194	Video Micro Converter Garage (Optional)	AA623920031
EN.BP.0000100	Butler Pro DMX/RDM	AA628600035
EN.BP.0000200	Butler Pro e:pix	AA628610035
EN.BX.0000001	Butler XT2	AA557270131
160174	Butler XT2 Garage (Optional)	AA556660031
EN.BU.0000001	Butler S2	AB436200031
AC.BG.0000001	Butler S2 Garage (Optional)	AA611800031
EN.LC.9400000	LCE2 fx	AA629460035

www.traxontechnologies.com

©2018 TRAXON TECHNOLOGIES - AN OSRAM BUSINESS. ALL RIGHTS RESERVED. TRAXON™, TX CONNECT®, ARE TRADEMARKS OF TRAXON TECHNOLOGIES. U.S. PATENTS, E.U. PATENTS, JAPAN PATENTS, OTHER PATENTS PENDING. SPECIFICATIONS ARE SUBJECT TO CHANGE WITHOUT NOTICE.



Media Tube® HO RGBW

Ordering

TX Connect

Model No.	Description	Item Code
TU.AC.0600100	Quick Lock Starter Cable (Open Wire), 5m (17AWG)	AB452190055
TU.AC.0600200	Quick Lock Starter Cable (Open Wire), 20m (17AWG)	AB452200055
TU.AC.0600300	Quick Lock Starter Cable (Open Wire), 35m (17AWG)	AB452210055
TU.AC.0600400	RJ45 / Power to Quick Lock Injector Cable Kit	AB452220055
TU.AC.0600500	Quick Lock Interconnection Cable, 0.14m	AB452230055
TU.AC.0600600	Quick Lock Interconnection Cable, 1.5m	AB452240055
TU.AC.0600700	Quick Lock Interconnection Cable, 4m	AB452250055
TU.AC.0600800	Quick Lock Power/Data Injector Cable	AB452260055
TU.AC.0602000	WAGO Terminal Block Set (7A)	AB469230035
TU.AC.0602100	7A SB Fuse (100pcs)	AB469240055

TX Control

Model No.	Description	Item Code
PS.IE.0011100	LED Engine 1000W 48V Indoor	AA5571401HA
N/A	LED Engine 240W 48V Outdoor	AM089330055
PS.CU.0000008	LED Engine 100W 48V Outdoor	AA766150055



©2018 TRAXON TECHNOLOGIES - AN OSRAM BUSINESS. ALL RIGHTS RESERVED. TRAXON™, TX CONNECT®, ARE TRADEMARKS OF TRAXON TECHNOLOGIES. U.S. PATENTS, E.U. PATENTS, JAPAN PATENTS, OTHER PATENTS PENDING. SPECIFICATIONS ARE SUBJECT TO CHANGE WITHOUT NOTICE.