



## Media Tube® HO RGB

Media Tube® HO family is a range of versatile media border lighting system for media façade application. It comes with the variety of LED options and accessories, and also provides a standardized platform for any custom-made request such as control channels and LEDs combination, mounting accessories, etc.



### Product Specifications

	Direct View					Diffused				
<b>Pixels</b>	12PXL	24PXL	36PXL	48PXL	60PXL	12PXL	24PXL	36PXL	48PXL	60PXL
<b>Light Source (LEDs)</b>	High intensity SMT RGB									
<b>Color Range</b>	16.7 Million additive RGB colors									
<b>Beam Angle</b>	110°					175°				
<b>Luminous Flux<sup>1</sup></b>	300 lm / m					220 lm / m				
<b>Efficacy<sup>1</sup></b>	34.8 lm / W					25.5 lm / W				
<b>Cover Lens</b>	Clear Cover (PC)					Diffuser (PC)				
<b>LED Cluster &amp; Pixel Pitch<sup>2</sup></b>	25mm									
<b>Housing</b>	Aluminium housing									
<b>Dimensions (W x H)</b>	23mm x 36mm 0.9" x 1.4"					29mm x 54mm 1.1" x 2.1"				
<b>(L)</b>	296mm 12"	596mm 24"	896mm 36"	1196mm 48"	1496mm 60"	296mm 12"	596mm 24"	896mm 36"	1196mm 48"	1496mm 60"
<b>Weight</b>	0.36kg 0.8lbs	0.58kg 1.3lbs	0.8kg 1.8lbs	1.02kg 2.3lbs	1.24kg 2.7lbs	0.4kg 0.9lbs	0.52kg 1.2lbs	0.84kg 1.9lbs	1.06kg 2.3lbs	1.28kg 2.8lbs
<b>Regulatory Listing &amp; Safety Approval</b>	cETLus									
<b>Operating Temperature</b>	-30°C to +55°C / -22°F to +131°F									
<b>Storage Temperature</b>	-40°C to +70°C / -40°F to +158°F									
<b>Environment</b>	Outdoor, IP66, IK09, suitable for coastal environments									
<b>Humidity</b>	0~90%, non-condensing									

### Electrical Specifications

<b>Operating Voltage</b>	48V DC									
<b>Power Consumption (Typical)</b>	2.9W	5.5W	7.8W	10.4W	12.9W	2.9W	5.5W	7.8W	10.4W	12.9W

### System Specifications

<b>Power/Data Interface</b>	TX CONNECT									
<b>Control</b>	DMX / e:pix / DVI Capable									
<b>Power Supply</b>	LED Engine 1000W 48V Indoor / LED Engine 240W 48V Outdoor / LED Engine 100W 48V Outdoor									
<b>Addressing Options</b>	Auto-Addressing									

1. Based on photometric data and typical power consumption of Media Tube® HO RGB 1496mm
2. Pixel pitch is configurable via ActionPad

**LED CHARACTERISTICS** Because LEDs are semiconductor devices, their performances are subject to inherent variability commonly found in semiconductor industry. To improve consistency in performance across the same product, LED manufacturers "sort" LEDs into bins according to different preset parameters, such as forward driving voltage, illumination, etc. Whereas binning is a sorting function, it is not a correction process. Inherent variability in the manufacturing process results always in different binning distributions according to different production lots. Traxon uses automatically binned LEDs on its products, thereby minimizing output variations within the model range.

As with all electronic devices, LED output degrades over time – a term called lumen depreciation. This also explains why it is nearly impossible to expect photometric performances of two LED products with different service life spans to be the same. The rate of LED degrade is a complicate function of many factors such as operating efficiency, duration of continuous operation, and more significantly, environmental conditions (ambient temperature for example). If allowed working under optimal operating temperature range and with good ventilation, LED devices enjoy long service lives over conventional light sources. When using/installing LED devices, care should be taken to ensure that the devices will operate within the operating conditions specified in respective product literature.

[www.traxontechnologies.com](http://www.traxontechnologies.com)

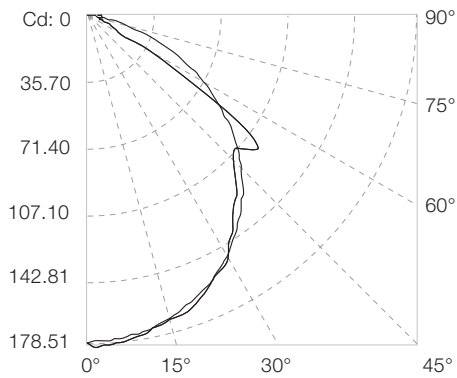
©2018 TRAXON TECHNOLOGIES - AN OSRAM BUSINESS. ALL RIGHTS RESERVED. TRAXON™, TX CONNECT®, ARE TRADEMARKS OF TRAXON TECHNOLOGIES. U.S. PATENTS, E.U. PATENTS, JAPAN PATENTS, OTHER PATENTS PENDING. SPECIFICATIONS ARE SUBJECT TO CHANGE WITHOUT NOTICE.

### Source Specifications

Source	60 LED clusters
Optics	110°
Cover Lens	Clear PC Cover

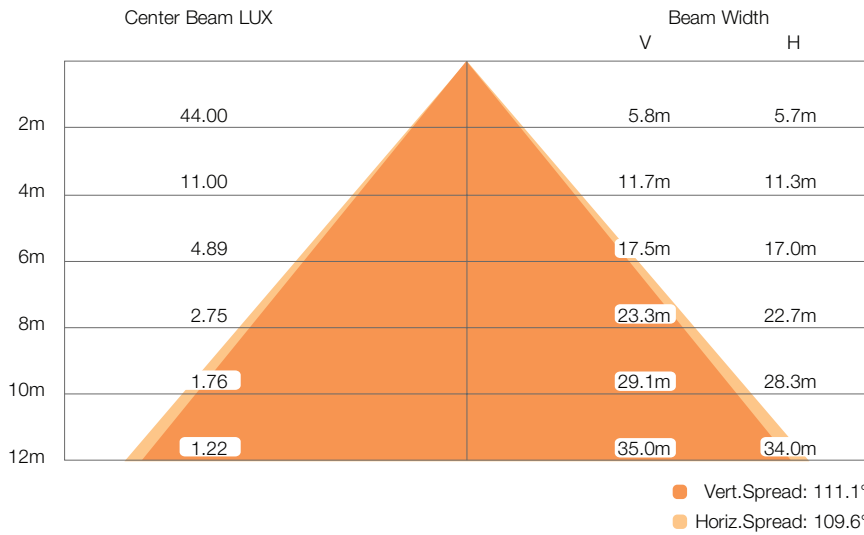
### Candela Distribution

### Light Output



Color	Luminous Flux (lm)
RGB	450.10
Red	131.36
Green	294.90
Blue	34.70

### Illuminance at a Distance

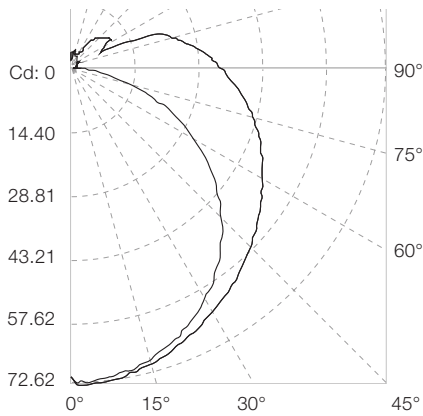


IES and LDT files are available for download from the Traxon website.

### Source Specifications

Source	60 LED clusters
Optics	175°
Cover Lens	PC Diffuser

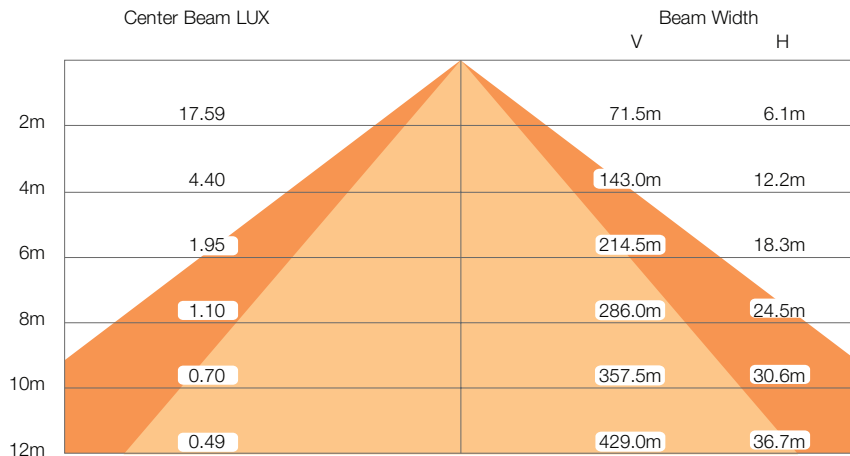
### Candela Distribution



### Light Output

Color	Luminous Flux (lm)
RGB	328.75
Red	97.72
Green	214.95
Blue	26.53

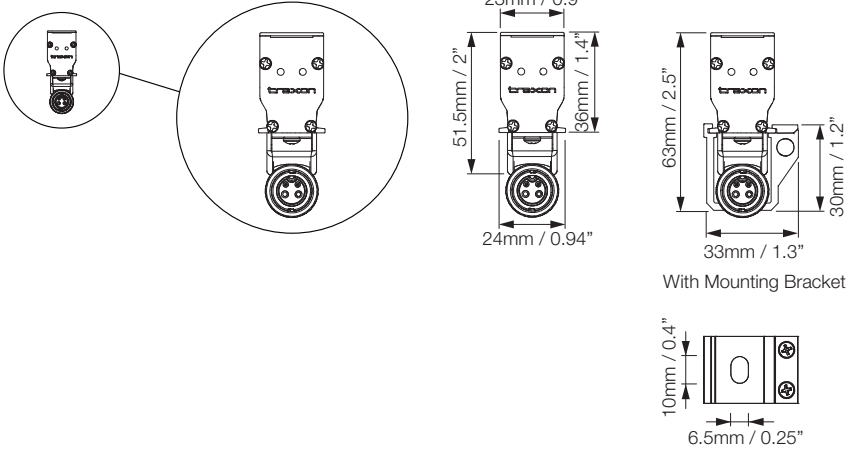
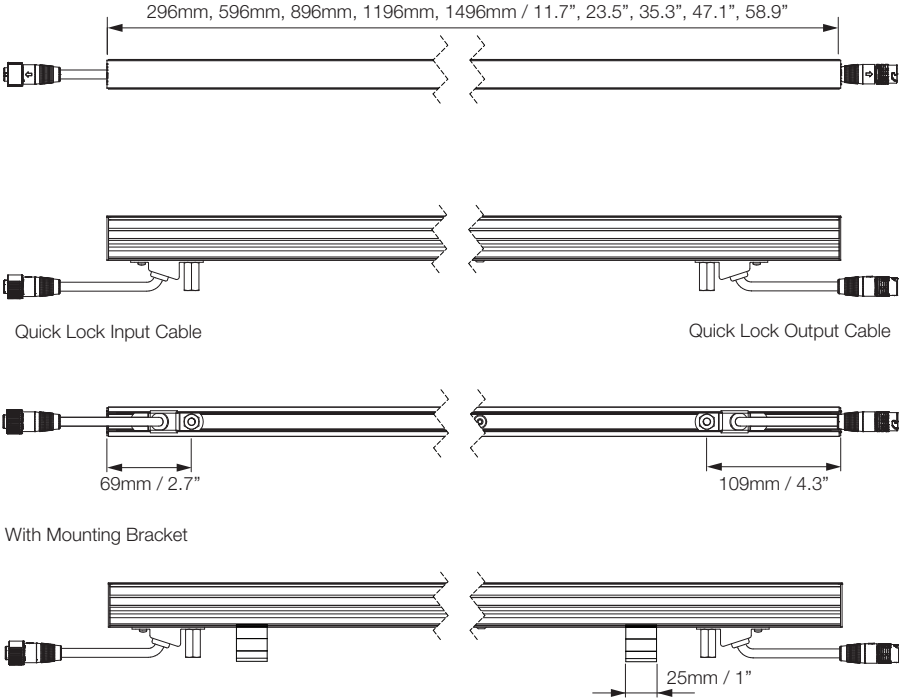
### Illuminance at a Distance



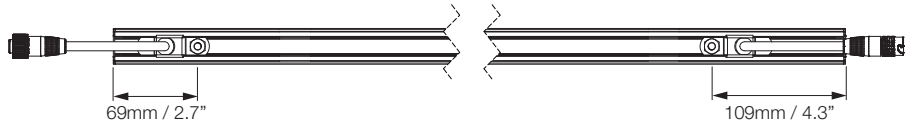
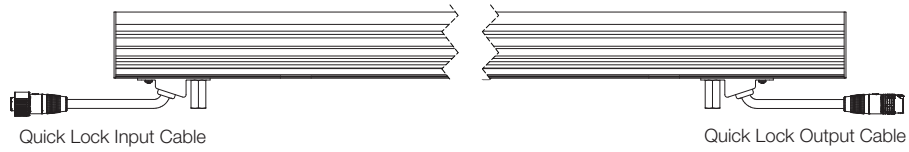
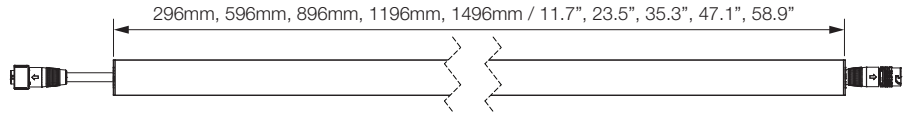
- Vert.Spread: 173.7°
- Horiz.Spread: 113.7°

IES and LDT files are available for download from the Traxon website.

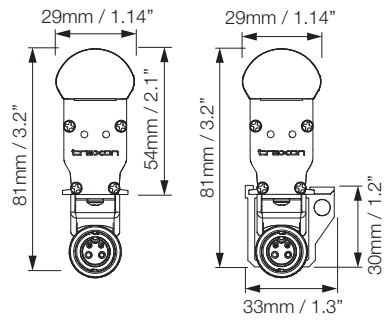
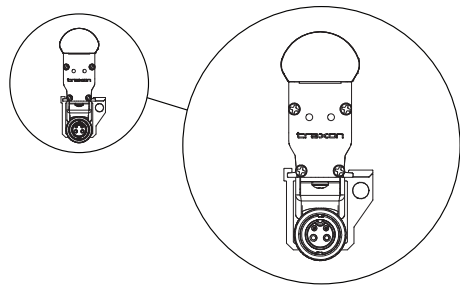
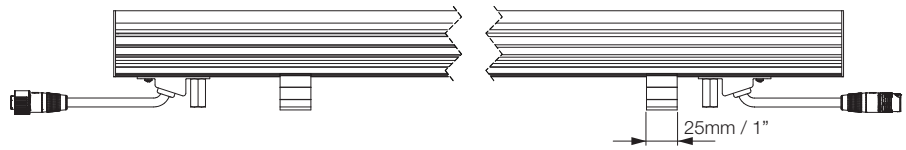
Media Tube® HO RGB – Direct View



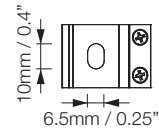
Media Tube® HO RGB – Diffused



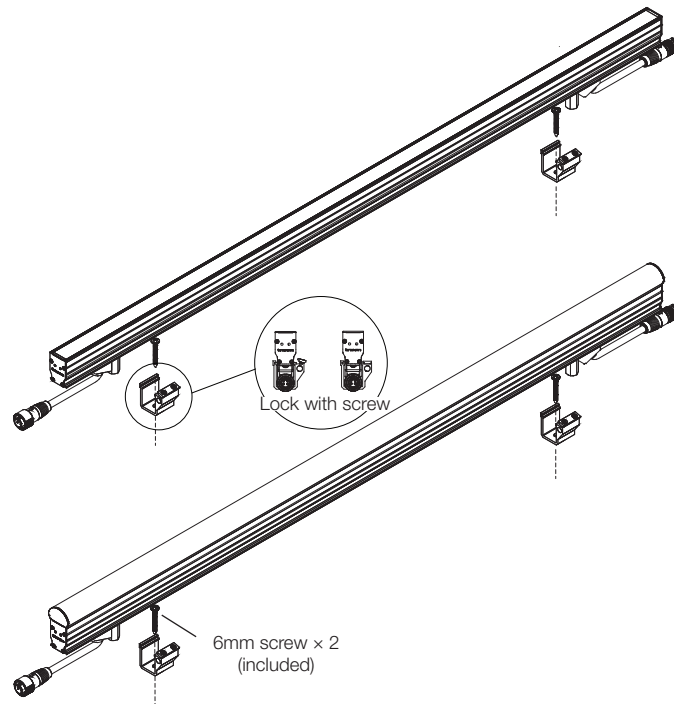
With Mounting Bracket



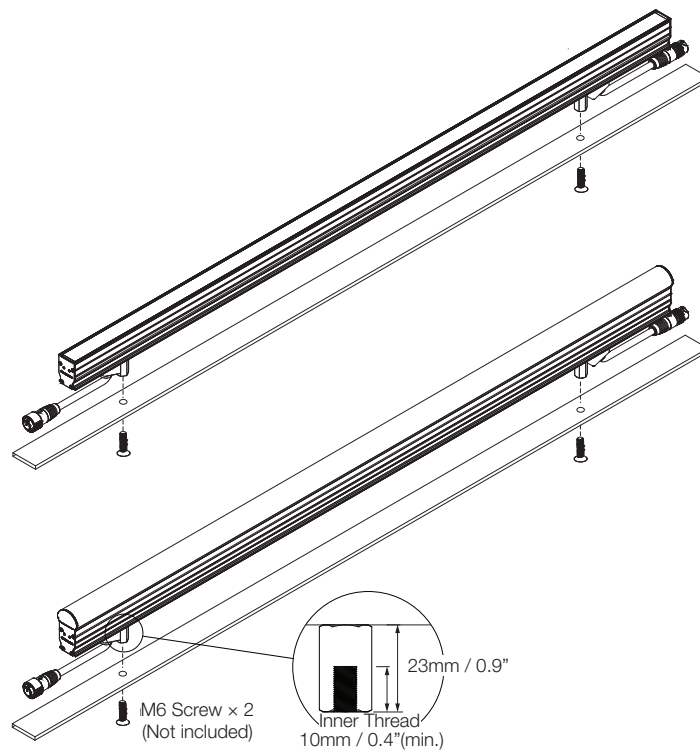
With Mounting Bracket



Mounting with Mounting Brackets



Mounting with Mounting Studs



[www.traxontechnologies.com](http://www.traxontechnologies.com)

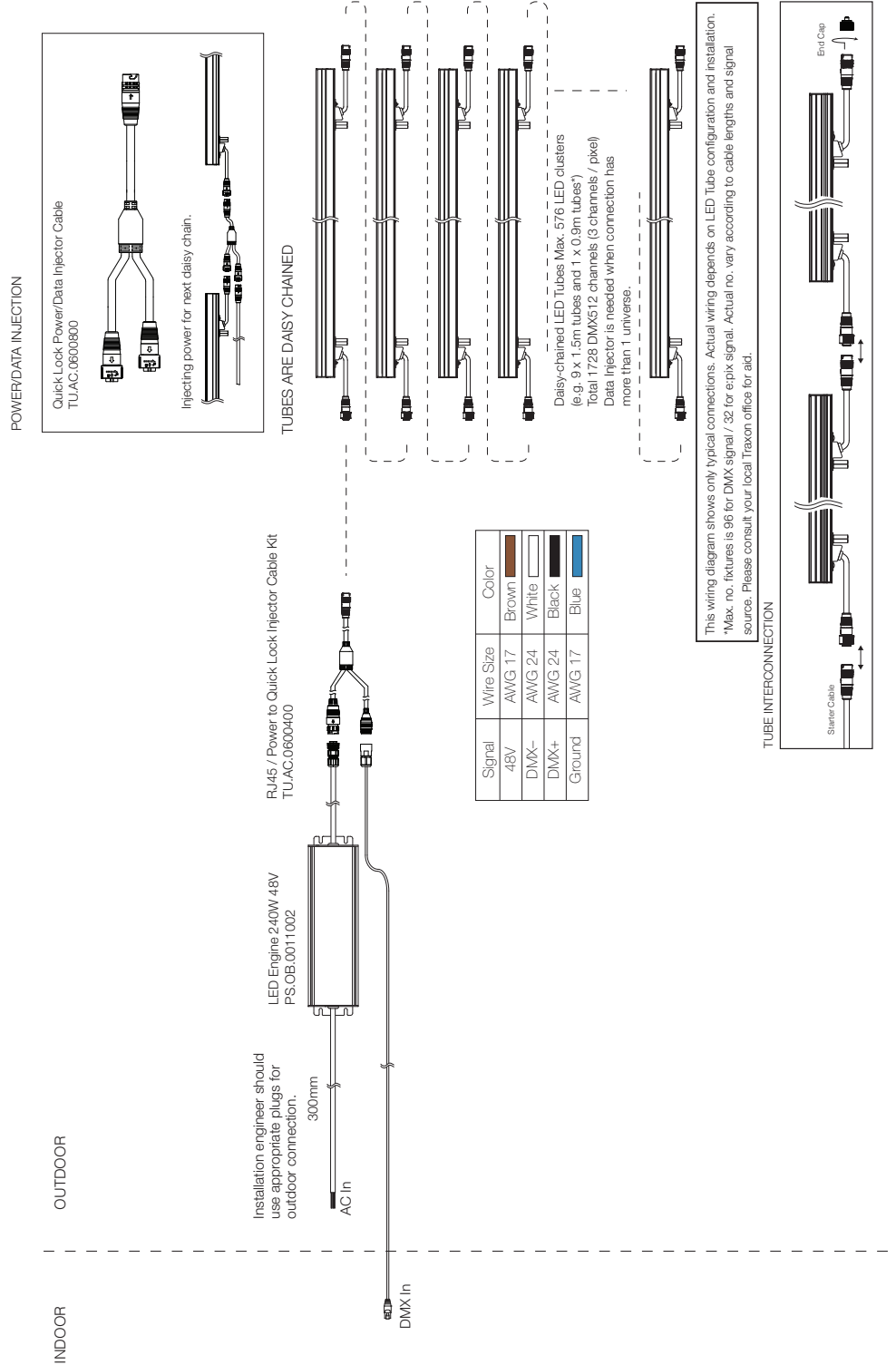
©2018 TRAXON TECHNOLOGIES - AN OSRAM BUSINESS. ALL RIGHTS RESERVED. TRAXON™, TX CONNECT®, ARE TRADEMARKS OF TRAXON TECHNOLOGIES. U.S. PATENTS, E.U. PATENTS, JAPAN PATENTS, OTHER PATENTS PENDING. SPECIFICATIONS ARE SUBJECT TO CHANGE WITHOUT NOTICE.







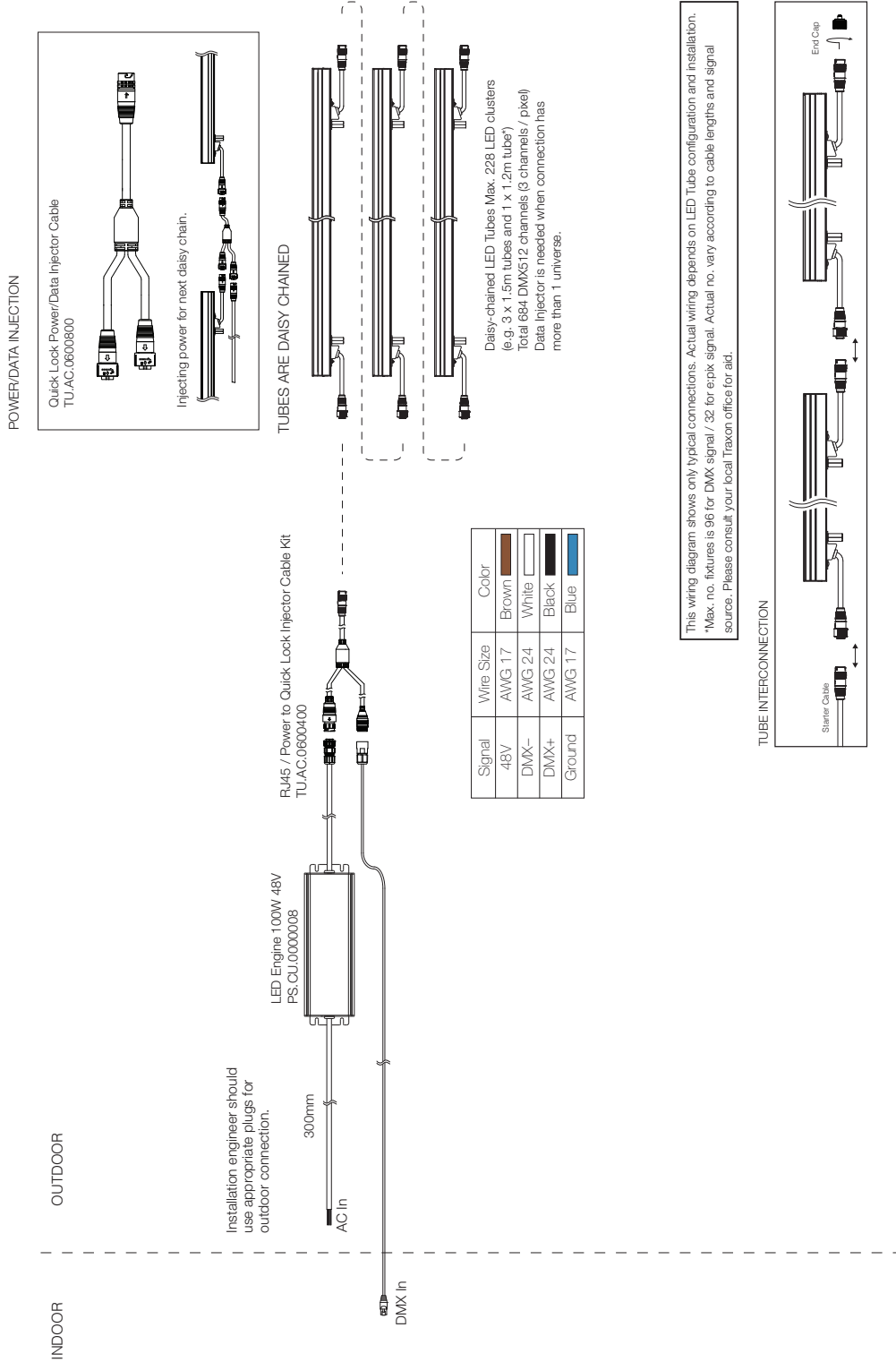
### 240W PSU System Diagram



www.traxontechnologies.com

©2018 TRAXON TECHNOLOGIES - AN OSRAM BUSINESS. ALL RIGHTS RESERVED. TRAXON™, TX CONNECT®, ARE TRADEMARKS OF TRAXON TECHNOLOGIES. U.S. PATENTS, E.U. PATENTS, JAPAN PATENTS, OTHER PATENTS PENDING. SPECIFICATIONS ARE SUBJECT TO CHANGE WITHOUT NOTICE.

### 100W PSU System Diagram



www.traxontechnologies.com

©2018 TRAXON TECHNOLOGIES - AN OSRAM BUSINESS. ALL RIGHTS RESERVED. TRAXON™, TX CONNECT®, ARE TRADEMARKS OF TRAXON TECHNOLOGIES. U.S. PATENTS, E.U. PATENTS, JAPAN PATENTS, OTHER PATENTS PENDING. SPECIFICATIONS ARE SUBJECT TO CHANGE WITHOUT NOTICE.



## Media Tube® HO RGB

Ordering

### Model Number

TU	.	XX	.	N	2	NN	0	0	3
				Cover Lens	Length				Pixels per Tube
				CS: Direct View	1: 296mm (12")				12: 12PXL / tube
				DS: Diffused	2: 596mm (24")				24: 24PXL / tube
					3: 896mm (36")				36: 36PXL / tube
					4: 1196mm(48")				48: 48PXL / tube
					5: 1496mm(60")				60: 60PXL / tube

### Fixtures

Model No.	Description	Item Code
TU.CS.1212003	MEDIA TUBE HO DIRECT 296 RGB 12PXL	AM209200055
TU.CS.2224003	MEDIA TUBE HO DIRECT 596 RGB 24PXL	AM209220055
TU.CS.3236003	MEDIA TUBE HO DIRECT 896 RGB 36PXL	AM209240055
TU.CS.4248003	MEDIA TUBE HO DIRECT 1196 RGB 48PXL	AM209260055
TU.CS.5260003	MEDIA TUBE HO DIRECT 1496 RGB 60PXL	AM209280055
TU.DS.1212003	MEDIA TUBE HO DIFFUSED 296 RGB 12PXL	AM209300055
TU.DS.2224003	MEDIA TUBE HO DIFFUSED 596 RGB 24PXL	AM209320055
TU.DS.3236003	MEDIA TUBE HO DIFFUSED 896 RGB 36PXL	AM209340055
TU.DS.4248003	MEDIA TUBE HO DIFFUSED 1196 RGB 48PXL	AM209360055
TU.DS.5260003	MEDIA TUBE HO DIFFUSED 1496 RGB 60PXL	AM209380055

### Standard Accessories (Included in delivery)

Model No.	Description	Item Code
N/A	2 x Mounting Brackets, 2 x Screws, 2 x Bolts and Assortment of Nuts and Washers	N/A

### Optional Accessories

Model No.	Description	Item Code
TU.AC.0600000	Quick Lock Connector End Cap	AB452180055

### TX Control

Model No.	Description	Item Code
160185	Video Micro Converter (DMX/e:pix)	AA438940235
160194	Video Micro Converter Garage (Optional)	AA623920031
EN.BP.0000100	Butler Pro DMX/RDM	AA628600035
EN.BP.0000200	Butler Pro e:pix	AA628610035
EN.BX.0000001	Butler XT2	AA557270131
160174	Butler XT2 Garage (Optional)	AA556660031
EN.BU.0000001	Butler S2	AB436200031
AC.BG.0000001	Butler S2 Garage (Optional)	AA611800031
EN.LC.9400000	LCE2 fx	AA629460035

[www.traxontechnologies.com](http://www.traxontechnologies.com)

©2018 TRAXON TECHNOLOGIES - AN OSRAM BUSINESS. ALL RIGHTS RESERVED. TRAXON™, TX CONNECT®, ARE TRADEMARKS OF TRAXON TECHNOLOGIES. U.S. PATENTS, E.U. PATENTS, JAPAN PATENTS, OTHER PATENTS PENDING. SPECIFICATIONS ARE SUBJECT TO CHANGE WITHOUT NOTICE.



## Media Tube® HO RGB

Ordering

### TX Connect

Model No.	Description	Item Code
TU.AC.0600100	Quick Lock Starter Cable (Open Wire), 5m (17AWG)	AB452190055
TU.AC.0600200	Quick Lock Starter Cable (Open Wire), 20m (17AWG)	AB452200055
TU.AC.0600300	Quick Lock Starter Cable (Open Wire), 35m (17AWG)	AB452210055
TU.AC.0600400	RJ45 / Power to Quick Lock Injector Cable Kit	AB452220055
TU.AC.0600500	Quick Lock Interconnection Cable, 0.14m	AB452230055
TU.AC.0600600	Quick Lock Interconnection Cable, 1.5m	AB452240055
TU.AC.0600700	Quick Lock Interconnection Cable, 4m	AB452250055
TU.AC.0600800	Quick Lock Power/Data Injector Cable	AB452260055
TU.AC.0602000	WAGO Terminal Block Set (7A)	AB469230035
TU.AC.0602100	7A SB Fuse (100pcs)	AB469240055

### TX Control

Model No.	Description	Item Code
PS.IE.0011100	LED Engine 1000W 48V Indoor	AA5571401HA
N/A	LED Engine 240W 48V Outdoor	AM089330055
PS.CU.0000008	LED Engine 100W 48V Outdoor	AA766150055



©2018 TRAXON TECHNOLOGIES - AN OSRAM BUSINESS. ALL RIGHTS RESERVED. TRAXON™, TX CONNECT®, ARE TRADEMARKS OF TRAXON TECHNOLOGIES. U.S. PATENTS, E.U. PATENTS, JAPAN PATENTS, OTHER PATENTS PENDING. SPECIFICATIONS ARE SUBJECT TO CHANGE WITHOUT NOTICE.