

Allegro Dot S CW

Allegro Dot CW is the next generation of intelligent media dot family. It is an extra bright Cold White clear or diffused dot. The dots are constructed on a flexible cable with customizable pitch. The dots can provide advanced features and flexibility for lighting design and project execution. Customizable pitch containing up to 52 dots max in one string.

Product Specifications



| Model | Allegro Dot S CW Direct View | Allegro Dot S CW Diffused View |
|--------------------------------------|---|--|
| Light Source | 4 White LEDs per dot | |
| Beam Angle | 100° | 135° |
| Luminous Flux ¹ | 93 lm | 79 lm |
| Efficacy ¹ | 68 lm/W | 58 lm/W |
| Cover Lens | Clear (PC) | Diffuser dome (PC) |
| LED Pitch | 100mm to 4000mm; Standard: 150mm | |
| Housing | Die cast aluminum with PC cover | |
| Adjustment Options | Flexible cable | |
| Dimensions (Ø x L x H) | Ø53 x 42 x 18mm Ø2.1" x 1.7" x 0.7" | Ø53 x 42 x 27mm Ø2.1" x 1.7" x 1.1" |
| Weight | 48g | 55g |
| Regulatory Listing & Safety Approval | cETLus, 3G ANSI C136.31 | |
| Operating Temperature | -30°C to +50°C/-22°F to +122°F | |
| Storage Temperature | -40°C to +70°C/-40°F to +158°F | |
| Environment | Outdoor (IP66, IP67), suitable for coastal environments | |
| Humidity | 0 to 90% non-condensing | |

Electrical Specifications

| | |
|--------------------------------|--------|
| Operating Voltage | 30V DC |
| Power Consumption ¹ | 1.5W |

System Specifications

| | |
|--------------------|---------------------------------------|
| Control | DMX512/e:pix/RDM/e:net |
| Power Supply | LED ENG 100W 30V IP67 AL DO (Class 2) |
| Addressing Options | Auto-Addressing |

1. Measurement per dot.

LED CHARACTERISTICS Because LEDs are semiconductor devices, their performances are subject to inherent variability commonly found in semiconductor industry. To improve consistency in performance across the same product, LED manufacturers "sort" LEDs into bins according to different preset parameters, such as forward driving voltage, illumination, etc. Whereas binning is a sorting function, it is not a correction process. Inherent variability in the manufacturing process results always in different binning distributions according to different production lots. Traxon uses automatically binned LEDs on its products, thereby minimizing output variations within the model range.

As with all electronic devices, LED output degrades over time – a term called lumen depreciation. This also explains why it is nearly impossible to expect photometric performances of two LED products with different service life spans to be the same. The rate of LED degrade is a complicate function of many factors such as operating efficiency, duration of continuous operation, and more significantly, environmental conditions (ambient temperature for example). If allowed working under optimal operating temperature range and with good ventilation, LED devices enjoy long service lives over conventional light sources. When using/installing LED devices, care should be taken to ensure that the devices will operate within the operating conditions specified in respective product literature.

Lumen measurement complies with LM-79-08 standard.
 Lumen maintenance is calculated based on LM-80 compliant measurement.





TRAXON

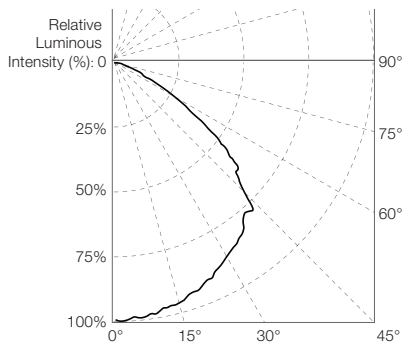
Allegro Dot S CW

Photometrics

Source Specifications

| | |
|---------------|---|
| Source | 4 LEDs packaged in white (One AL Dot S) |
| Optics | 100° (Clear cover) |

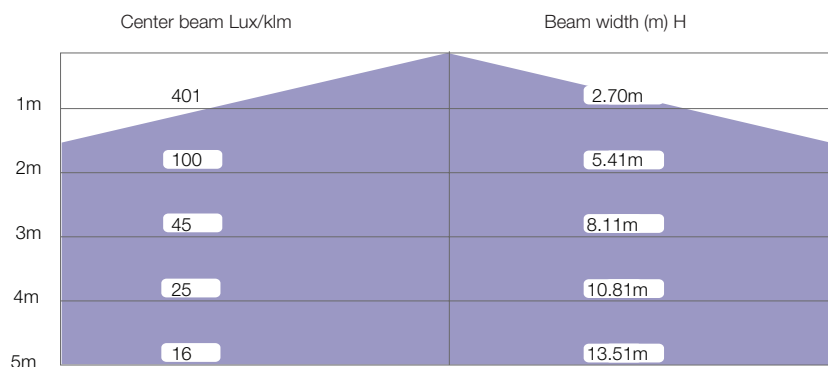
Candela Distribution



Light Output

| | Color | Luminous Flux (lm) | Candela Distribution @100% | Efficacy (lm/W) |
|-----------------|--------------|--------------------|----------------------------|-----------------|
| Dot S CW | White | 93.03 | 37.32 | 67.91 |

Illuminance at a Distance



■ Horiz.Spread: 107.0°

For fc divide by 10.7

For feet multiply by 3.28

IES and LDT files are available for download from the Traxon website.



TRAXON

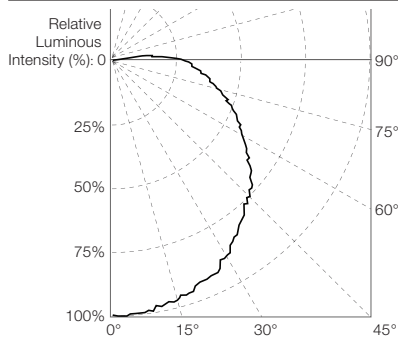
Allegro Dot S CW

Photometrics

Source Specifications

| | |
|--------|---|
| Source | 4 LEDs packaged in white (One AL Dot S) |
| Optics | 135° (Diffuser Dome cover) |

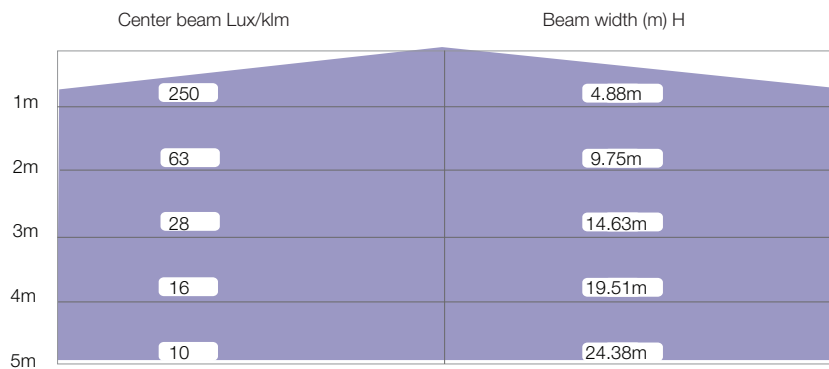
Candela Distribution



Light Output

| | Color | Luminous Flux (lm) | Candela Distribution @100% | Efficacy (lm/W) |
|----------|-------|--------------------|----------------------------|-----------------|
| Dot S CW | White | 79.08 | 19.8 | 57.72 |

Illuminance at a Distance (Diffuser Dome Cover)



For fc divide by 10.7

IES and LDT files are available for download from the Traxon website.

● Horiz. Spread: 135.4°

For feet multiply by 3.28

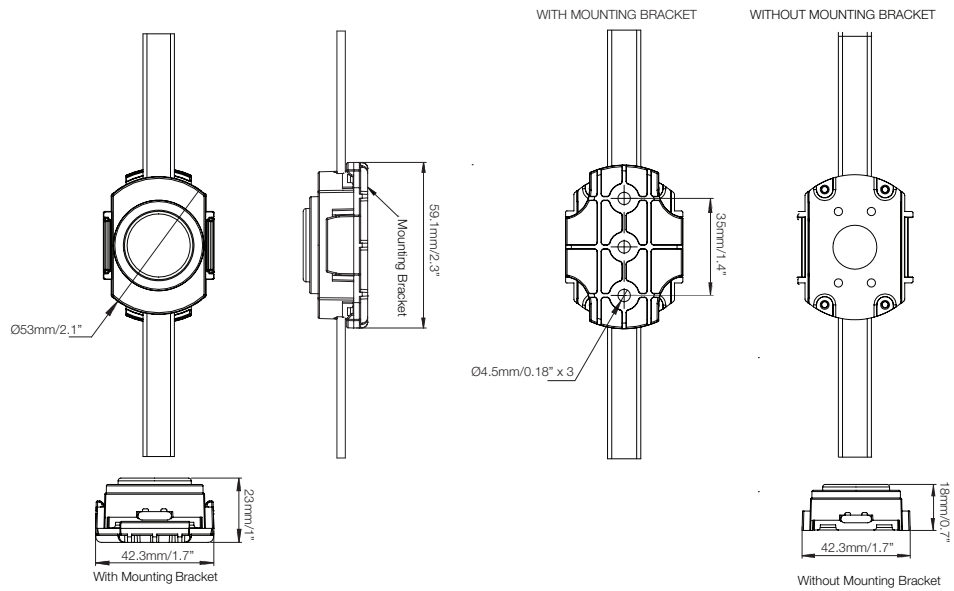


TRAXON

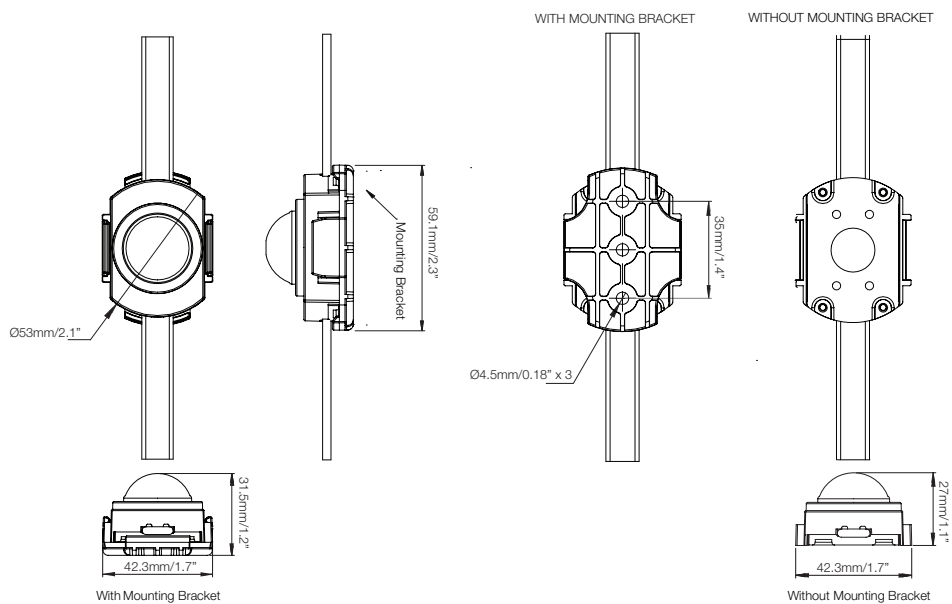
Allegro Dot S CW

Dimensions

Dot S Direct View



Dot S Diffused View



www.traxon-ecue.com

©2019 TRAXON TECHNOLOGIES - AN OSRAM BUSINESS. ALL RIGHTS RESERVED. TRAXON™, TX CONNECT®, ARE TRADEMARKS OF TRAXON TECHNOLOGIES. U.S. PATENTS, E.U. PATENTS, JAPAN PATENTS, OTHER PATENTS PENDING. SPECIFICATIONS ARE SUBJECT TO CHANGE WITHOUT NOTICE.

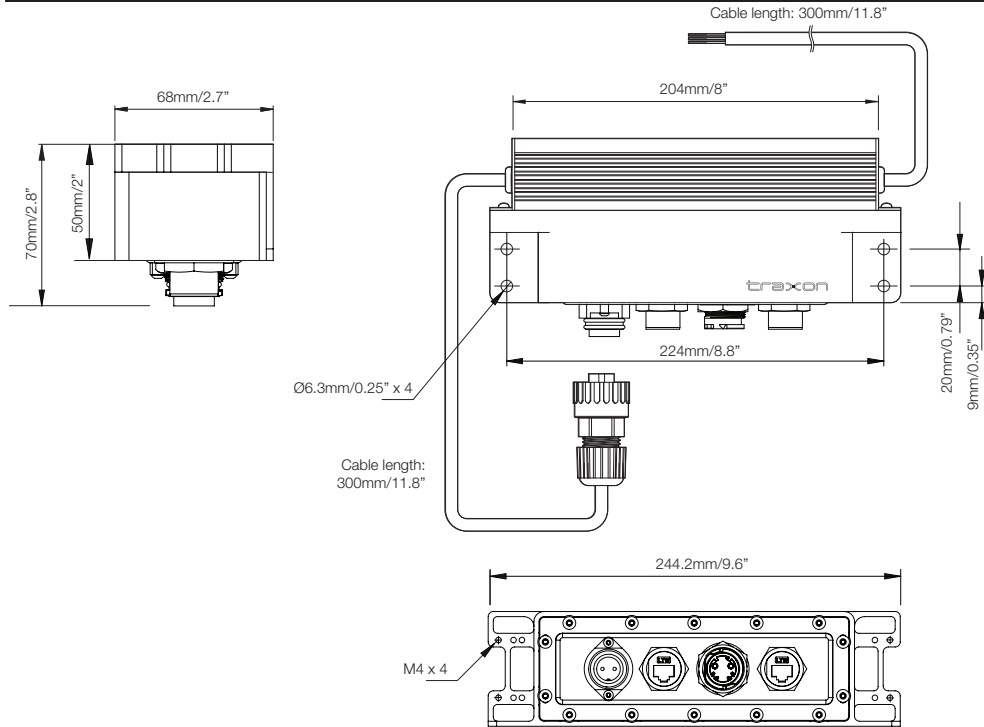


TRAXON

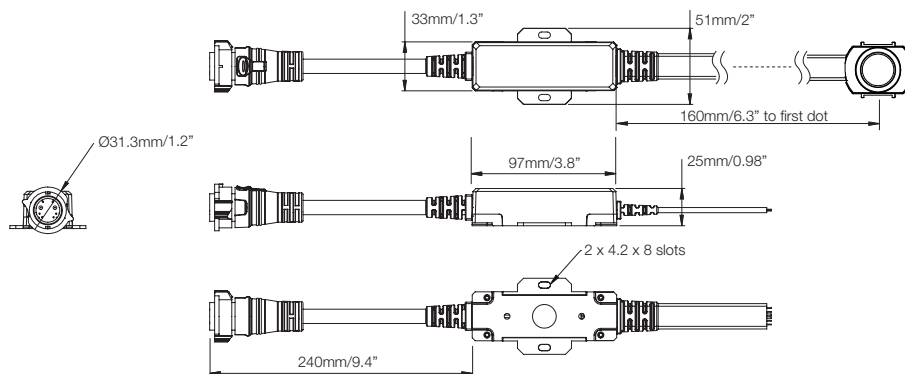
Allegro Dot S CW

Dimensions

Pixel Distributor with Power Supply (Outdoor 100W)

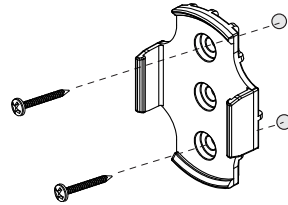


Dot S Smart Junction

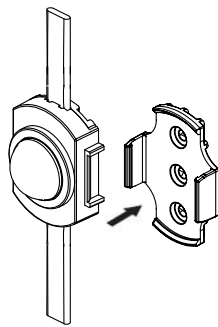




Dot S

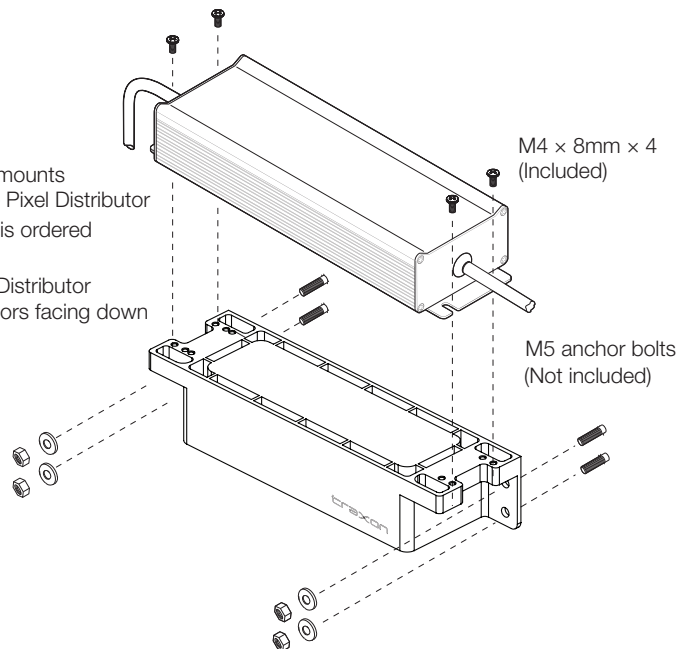


(M4 Screws not included)



Pixel Distributor

LED Engine mounts
on top of the Pixel Distributor
(LED Engine is ordered
separately)
Mount Pixel Distributor
with connectors facing down



M4 x 8mm x 4
(Included)

M5 anchor bolts
(Not included)

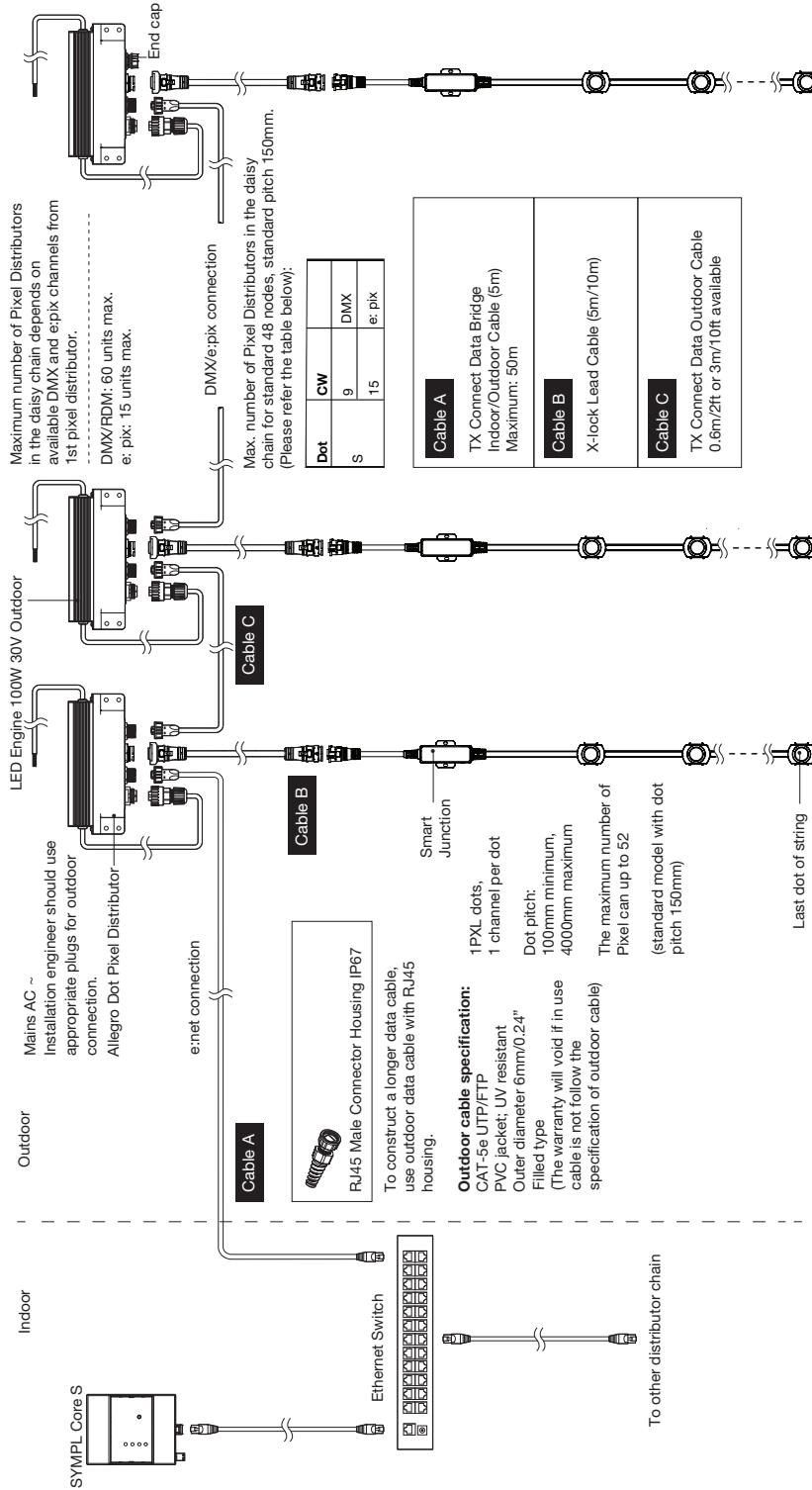


TRAXON

Allegro Dot S CW

System Diagram

System Diagram—e:net connection





TRAXON

Allegro Dot S CW

Ordering

Fixtures

| Model No. | Description | Item Code |
|---------------|----------------------------------|-----------|
| DO.A1.5110020 | AL DO S CR CW 48PPF 150P 0.5M WT | N/A |
| DO.A1.5210020 | AL DO S DF CW 48PPF 150P 0.5M WT | N/A |
| DO.A1.5110030 | AL DO S CR CW 48PPF 300P 0.5M WT | N/A |
| DO.A1.5210030 | AL DO S DF CW 48PPF 300P 0.5M WT | N/A |

Standard Accessories

| Model No. | Description | Item Code |
|---------------|-------------------------------------|-------------|
| DO.AD.0001020 | ALLEGRO DOT PXL DISTRIBUTOR | AM278810055 |
| DO.AC.0100300 | X-LOCK LEAD CABLE 5M 14AWG VS15 TX | AM061830055 |
| DO.AC.0100400 | X-LOCK LEAD CABLE 10M 14AWG VS10 TX | AM061850055 |
| N/A | AL DOT S MOUNTING CLIP | AM286870055 |

Optional Accessories

| Model No. | Description | Item Code |
|-----------|----------------------------|-------------|
| N/A | AL DOT S FIELD CUT END CAP | AM354990055 |

E:cue Control

| Model No. | Description | Item Code |
|---------------|-----------------------------|-------------|
| N/A | SYMPL Core S | AB447060035 |
| N/A | SYMPL DMX Node | AB444180035 |
| N/A | SYMPL e:pix Node | AB443930035 |
| EN.BP.0000100 | Butler Pro DMX/RDM | AA628600035 |
| EN.BP.0000200 | Butler Pro e:pix | AA628610035 |
| EN.BU.0000001 | Butler S2 | AB436200031 |
| AC.BG.0000001 | Butler S2 Garage (Optional) | AA611800031 |

TX Connect

| Model No. | Description | Item Code |
|---------------|---|-------------|
| DE.AC.0000100 | TX CONNECT Data Indoor/Outdoor Bridge Cable, 5m16.4ft | AA508850055 |
| DE.IC.0060000 | TX CONNECT Data Outdoor Cable, 0.6m/1.97ft | AA664580055 |
| DE.IC.0300000 | TX CONNECT Data Outdoor Cable, 3m/9.84ft | AA438810055 |
| DE.AC.0100000 | RJ45 Male Connector Housing IP67 | AA556100155 |

TX Power

| Model No. | Description | Item Code |
|-----------|-----------------------------|-------------|
| N/A | LED ENG 100W 30V IP67 AL DO | AM019490055 |



TRAXON

www.traxon-ecue.com

©2019 TRAXON TECHNOLOGIES - AN OSRAM BUSINESS. ALL RIGHTS RESERVED. TRAXON™, TX CONNECT®, ARE TRADEMARKS OF TRAXON TECHNOLOGIES. U.S. PATENTS, E.U. PATENTS, JAPAN PATENTS, OTHER PATENTS PENDING. SPECIFICATIONS ARE SUBJECT TO CHANGE WITHOUT NOTICE.