



## Allegro Dot S WW

Allegro Dot WW is the next generation of intelligent media dot family. It is an extra bright Warm White clear or diffused dot. The dots are constructed on a flexible cable with customizable pitch. The dots can provide advanced features and flexibility for lighting design and project execution. Customizable pitch containing up to 52 dots max in one string.

### Product Specifications



Model	Allegro Dot S WW Direct View	Allegro Dot S WW Diffused View
Light Source	4 White LEDs per dot	
Beam Angle	100°	135°
Luminous Flux <sup>1</sup>	90 lm	76 lm
Efficacy <sup>1</sup>	66 lm/W	56 lm/W
Cover Lens	Clear (PC)	Diffuser dome (PC)
LED Pitch	100mm to 4000mm; Standard: 150mm	
Housing	Die cast aluminum with PC cover	
Adjustment Options	Flexible cable	
Dimensions (Ø x L x H)	Ø53 x 42 x 18mm Ø2.1" x 1.7" x 0.7"	Ø53 x 42 x 27mm Ø2.1" x 1.7" x 1.1"
Weight	48g	55g
Regulatory Listing & Safety Approval	cETLus, 3G ANSI C136.31	
Operating Temperature	-30°C to +50°C/-22°F to +122°F	
Storage Temperature	-40°C to +70°C/-40°F to +158°F	
Environment	Outdoor (IP66, IP67), suitable for coastal environments	
Humidity	0 to 90% non-condensing	

### Electrical Specifications

Operating Voltage	30V DC
Power Consumption <sup>1</sup>	1.5W

### System Specifications

Control	DMX512/e:pix/RDM/e:net
Power Supply	LED ENG 100W 30V IP67 AL DO (Class 2)
Addressing Options	Auto-Addressing

1. Measurement per dot.

LED CHARACTERISTICS Because LEDs are semiconductor devices, their performances are subject to inherent variability commonly found in semiconductor industry. To improve consistency in performance across the same product, LED manufacturers "sort" LEDs into bins according to different preset parameters, such as forward driving voltage, illumination, etc. Whereas binning is a sorting function, it is not a correction process. Inherent variability in the manufacturing process results always in different binning distributions according to different production lots. Traxon uses automatically binned LEDs on its products, thereby minimizing output variations within the model range.

As with all electronic devices, LED output degrades over time – a term called lumen depreciation. This also explains why it is nearly impossible to expect photometric performances of two LED products with different service life spans to be the same. The rate of LED degrade is a complicate function of many factors such as operating efficiency, duration of continuous operation, and more significantly, environmental conditions (ambient temperature for example). If allowed working under optimal operating temperature range and with good ventilation, LED devices enjoy long service lives over conventional light sources. When using/installing LED devices, care should be taken to ensure that the devices will operate within the operating conditions specified in respective product literature.

Lumen measurement complies with LM-79-08 standard.  
Lumen maintenance is calculated based on LM-80 compliant measurement.





# TRAXON

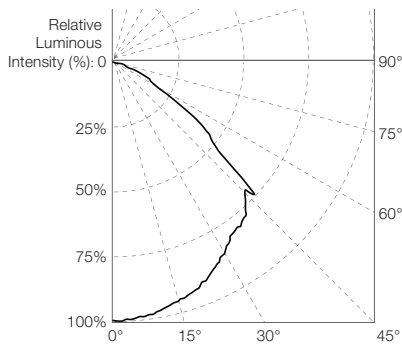
## Allegro Dot S WW

## Photometrics

### Source Specifications

Source	4 LEDs packaged in white (One AL Dot S)
Optics	100° (Clear cover)

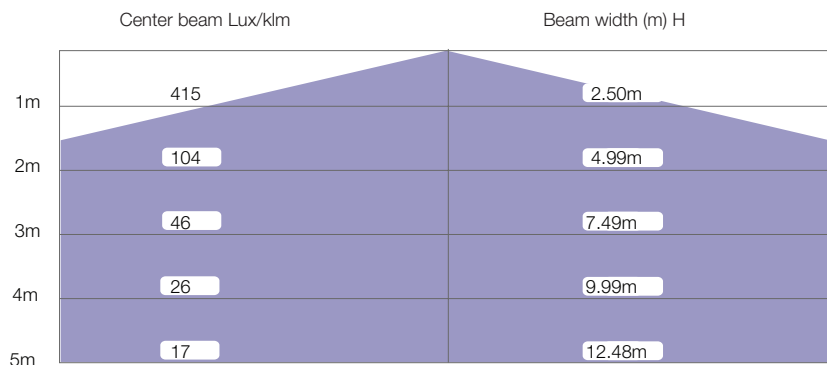
### Candela Distribution



### Light Output

	Color	Luminous Flux (lm)	Candela Distribution @100%	Efficacy (lm/W)
Dot S WW	White	89.9	37.27	65.62

### Illuminance at a Distance



■ Horiz. Spread: 102.6°  
For feet multiply by 3.28

For fc divide by 10.7

IES and LDT files are available for download from the Traxon website.



# TRAXON

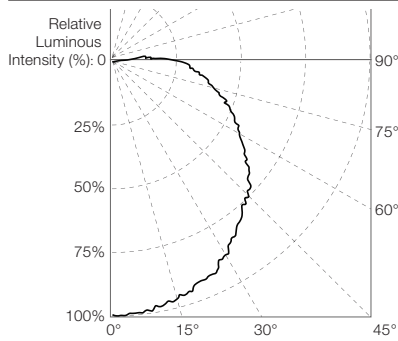
## Allegro Dot S WW

## Photometrics

### Source Specifications

<b>Source</b>	4 LEDs packaged in white (One AL Dot S)
<b>Optics</b>	135° (Diffuser Dome cover)

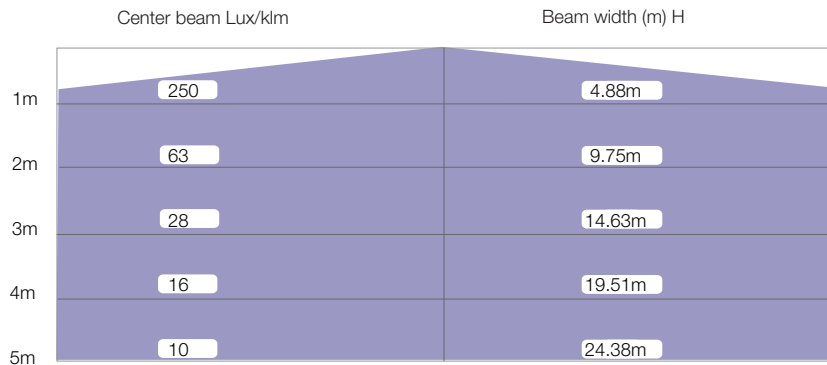
### Candela Distribution



### Light Output

	Color	Luminous Flux (lm)	Candela Distribution @100%	Efficacy (lm/W)
<b>Dot S WW</b>	White	76.42	19.13	55.78

### Illuminance at a Distance (Diffuser Dome Cover)



For fc divide by 10.7

IES and LDT files are available for download from the Traxon website.

● Horiz.Spread: 135.4°

For feet multiply by 3.28

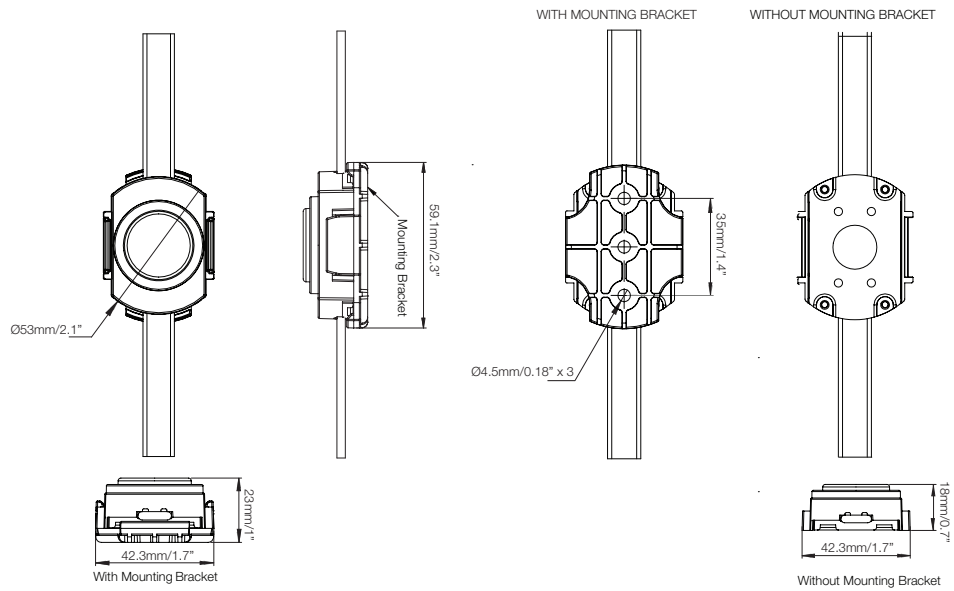


# TRAXON

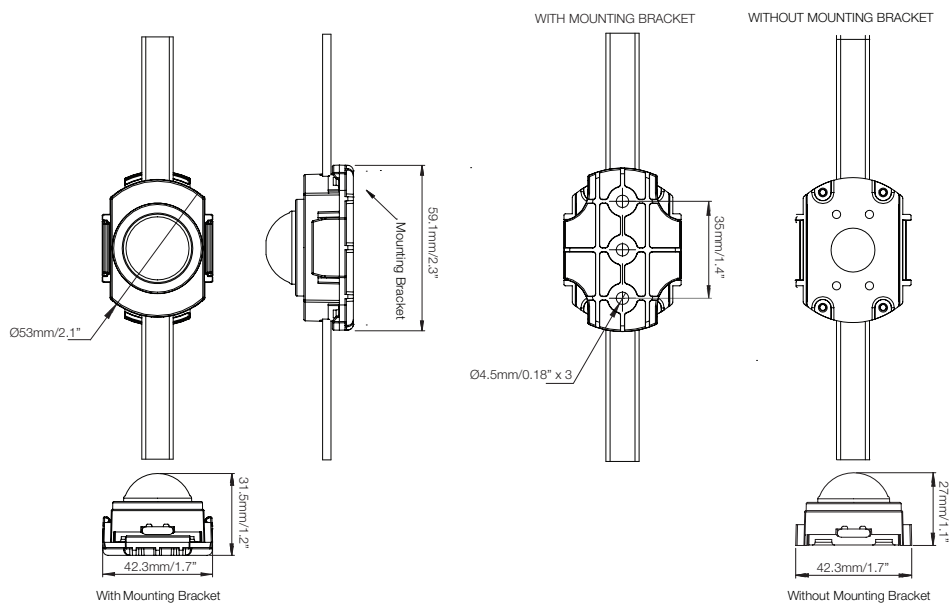
## Allegro Dot S WW

## Dimensions

### Dot S Direct View



### Dot S Diffused View



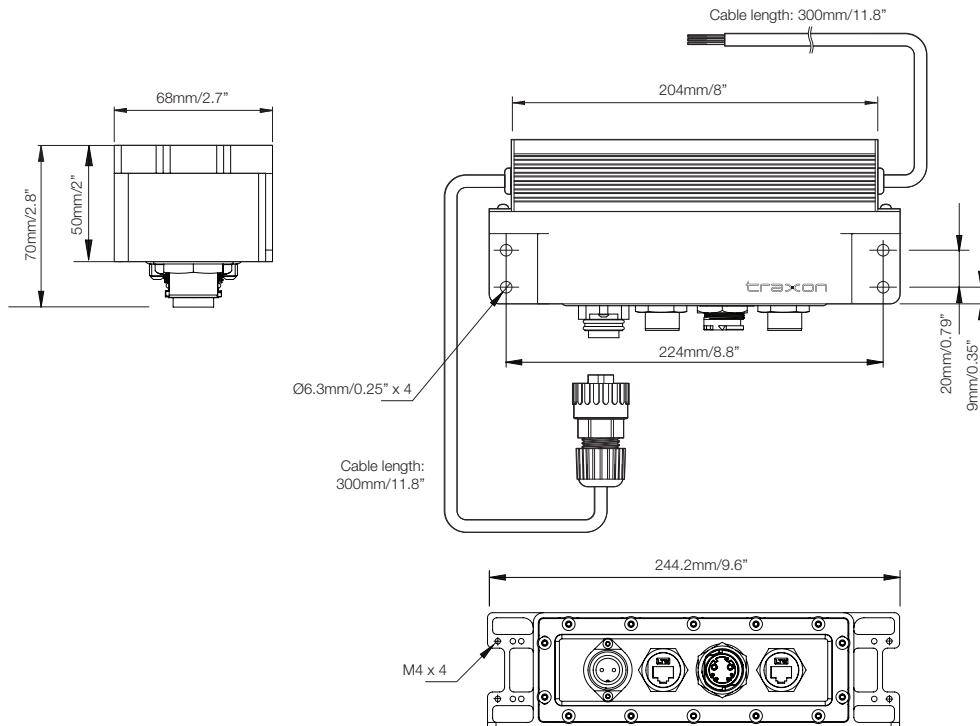


# TRAXON

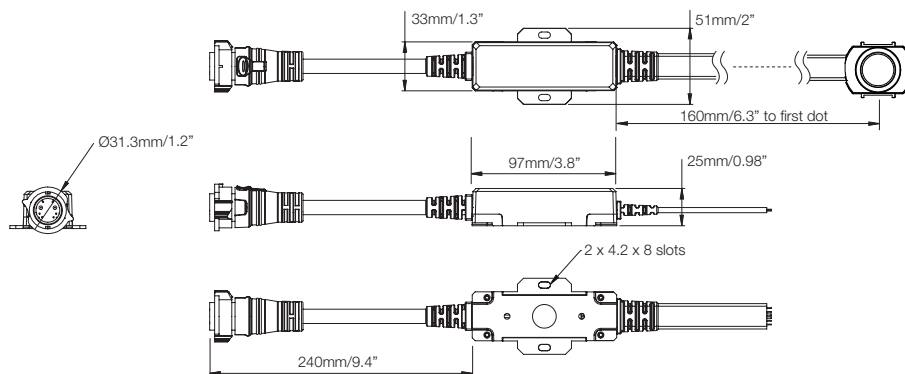
## Allegro Dot S WW

## Dimensions

### Pixel Distributor with Power Supply (Outdoor 100W)



### Dot S Smart Junction



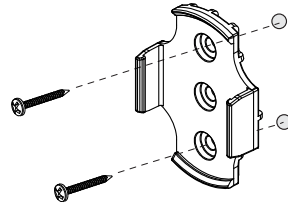


# TRAXON

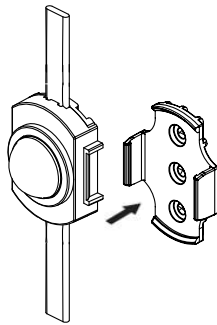
## Allegro Dot S WW

## Mounting

### Dot S

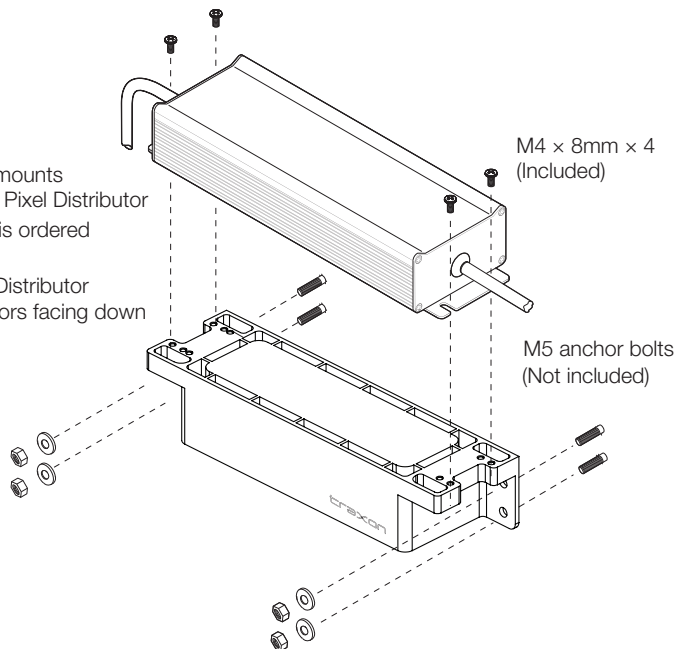


(M4 Screws not included)



### Pixel Distributor

LED Engine mounts  
on top of the Pixel Distributor  
(LED Engine is ordered  
separately)  
Mount Pixel Distributor  
with connectors facing down



M4 x 8mm x 4  
(Included)

M5 anchor bolts  
(Not included)

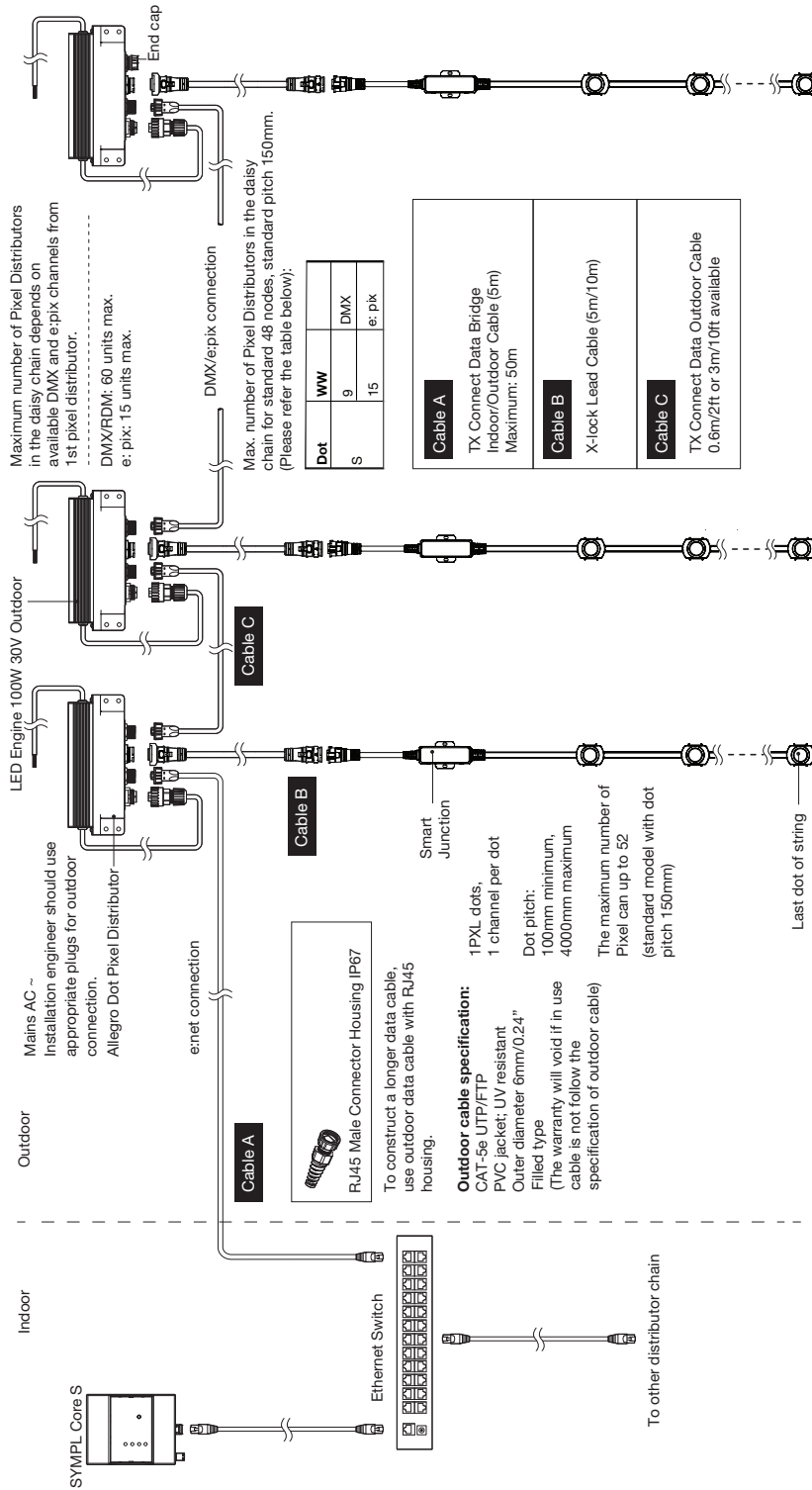


# TRAXON

## Allegro Dot S WW

## System Diagram

### System Diagram—e:net connection









# TRAXON

## Allegro Dot S WW

Ordering

### Fixtures

Model No.	Description	Item Code
DO.A1.4110020	AL DO S CR WW 48PPF 150P 0.5M WT	N/A
DO.A1.4210020	AL DO S DF WW 48PPF 150P 0.5M WT	N/A
DO.A1.4110030	AL DO S CR WW 48PPF 300P 0.5M WT	N/A
DO.A1.4210030	AL DO S DF WW 48PPF 300P 0.5M WT	N/A

### Standard Accessories

Model No.	Description	Item Code
DO.AD.0001020	ALLEGRO DOT PXL DISTRIBUTOR	AM278810055
DO.AC.0100300	X-LOCK LEAD CABLE 5M 14AWG VS15 TX	AM061830055
DO.AC.0100400	X-LOCK LEAD CABLE 10M 14AWG VS10 TX	AM061850055
N/A	AL DOT S MOUNTING CLIP	AM286870055

### Optional Accessories

Model No.	Description	Item Code
N/A	AL DOT S FIELD CUT END CAP	AM354990055

### E:cue Control

Model No.	Description	Item Code
N/A	SYMPL Core S	AB447060035
N/A	SYMPL DMX Node	AB444180035
N/A	SYMPL e:pix Node	AB443930035
EN.BP.0000100	Butler Pro DMX/RDM	AA628600035
EN.BP.0000200	Butler Pro e:pix	AA628610035
EN.BU.0000001	Butler S2	AB436200031
AC.BG.0000001	Butler S2 Garage (Optional)	AA611800031

### TX Connect

Model No.	Description	Item Code
DE.AC.0000100	TX CONNECT Data Indoor/Outdoor Bridge Cable, 5m/16.4ft	AA508850055
DE.IC.0060000	TX CONNECT Data Outdoor Cable, 0.6m/1.97ft	AA664580055
DE.IC.0300000	TX CONNECT Data Outdoor Cable, 3m/9.84ft	AA438810055
DE.AC.0100000	RJ45 Male Connector Housing IP67	AA556100155

### TX Power

Model No.	Description	Item Code
N/A	LED ENG 100W 30V IP67 AL DO	AM019490055