



TRAXON Go[→]

Linear Go Maxi DC RGBW



Project: _____

Type: _____



IP66



COAST



DMX 512



ANSI 3G



IK07

The Traxon Linear Go Maxi DC is a DC line powered exterior luminaire used to distinguish facades, walls, and architectural landmarks with a powerful, even color wash effect. Linear Go's high-value design features efficient electrical and optical systems, making it ideal for budget-conscious projects.

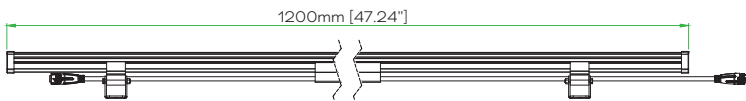
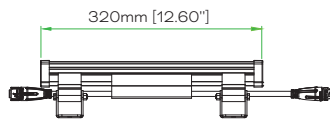
This product is intended for use in high-quality colored light applications.

Features

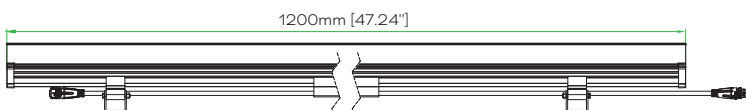
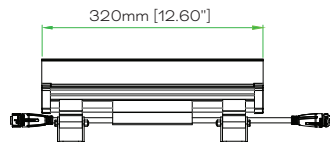
- DMX control
- Easy installation and maintenance

Dimensions

Without Glare Shield



With Glare Shield



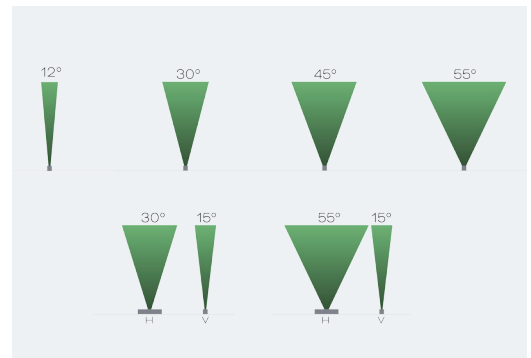
Technologies

- Manual-Addressing with TX Addresser

Color Options



Beam Angle



Finish



Traxon Signature Gray: RAL7005

Product Specifications

Linear Go Maxi DC RGBW		
Model	320mm / 12.6"	1200mm / 47.2"
Light Source	RGBW discrete LED	
Color Range	RGBW (W=4000K)	
LED Quantity	8pcs	32pcs
Luminous Flux	684 lm (30°)	2736 lm (30°)
Efficacy	57 lm/W (full on 30°)	
Beam Angles	12°, 30°, 45°, 55°, 30° x 15°, 55° x 15°	
Pixel Configuration	1 Pixel per fixture	
Lens	Glass	
Housing	Aluminum	
Housing Finish Options	Traxon Signature Gray (RAL7005)	
Adjustment Options	-70° to +70°	
Mounting	Mounting Bracket	
Dimensions (Without Glare Shield) (L x W x H, Mounting Bracket included)	320mm x 61mm x 82mm 12.6" x 2.4" x 3.2"	1200mm x 61mm x 82mm 47.2" x 2.4" x 3.2"
Dimensions (With Glare Shield) (L x W x H, Mounting Bracket included)	320mm x 61mm x 123mm 12.6" x 2.4" x 4.8"	1200mm x 61mm x 123mm 47.2" x 2.4" x 4.8"
Weight (Without Glare Shield)	1.1kg / 2.4lbs	3.3kg / 7.3lbs
Weight (With Glare Shield)	1.2kg / 2.6lbs	3.7kg / 8.2lbs
Regulatory Listing & Safety Approval	cETLus, FCC, ANSI C136.31-3G	
Operating Temperature	-30°C to +50°C (-22°F to +122°F)	
Minimum Starting Temperature	-20°C (-4°F)	
Storage Temperature	-40°C to +80°C (-40°F to +176°F)	
Environment	Outdoor, IP66, IK07, Coastal Environment (ASTM B117-16)	
Humidity	85%, non-condensing	

Electrical Specifications

Input Voltage	24V DC	
Power Consumption	12W	48W
Lumen Maintenance	L70 50000hrs @ 25°C	

System Specifications

Power Supply	LED Engine 24V (Class 2)	
Control	DMX 512	
Addressing Options	Manual-Addressing with TX Addresser	
Chipset	MR DMX05	

LED CHARACTERISTICS Because LEDs are semiconductor devices, their performances are subject to inherent variability commonly found in semiconductor industry. To improve consistency in performance across the same product, LED manufacturers "sort" LEDs into bins according to different preset parameters, such as forward driving voltage, illumination, etc. Whereas binning is a sorting function, it is not a correction process. Inherent variability in the manufacturing process results always in different binning distributions according to different production lots. Traxon uses automatically binned LEDs on its products, thereby minimizing output variations within the model range.

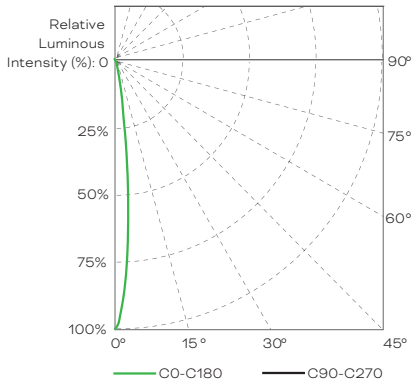
As with all electronic devices, LED output degrades over time – a term called lumen depreciation. This also explains why it is nearly impossible to expect photometric performances of two LED products with different service life spans to be the same. The rate of LED degrade is a complicate function of many factors such as operating efficiency, duration of continuous operation, and more significantly, environmental conditions (ambient temperature for example). If allowed working under optimal operating temperature range and with good ventilation, LED devices enjoy long service lives over conventional light sources. When using/installing LED devices, care should be taken to ensure that the devices will operate within the operating conditions specified in respective product literature.

This product contains a light source of energy efficiency class G to Regulation (EU) No 2019/2015.
Lumen measurement complies with LM-79-08 standard.
Lumen maintenance is calculated based on LM-80 compliant measurement.

Source Specifications

Source	RGBW 4-in-1
Optics	12°

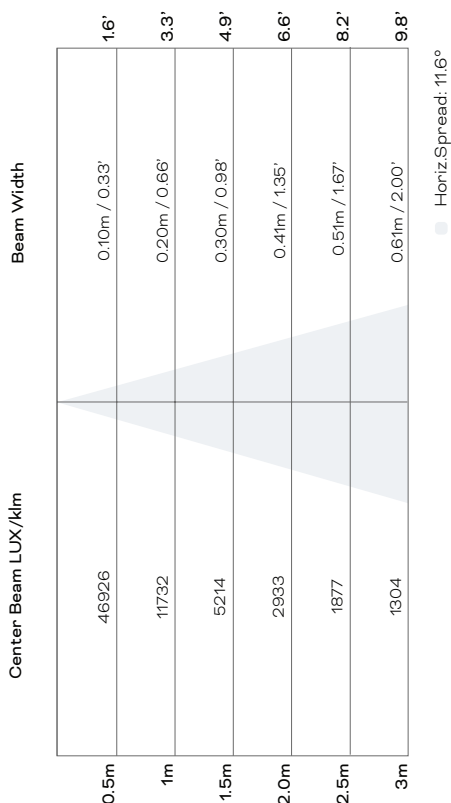
Candela Distribution



Light Output

	Color	Luminous Flux (lm)	Center Intensity (cd)	Efficacy (lm/W)
320mm / 12.6"	RGBW (full-on)	720	8575	60
	RGB	448	5331	51
	Red	164	1949	65
	Green	218	2600	66
	Blue	67	803	22
	White	279	3326	90
1200mm / 47.2"	RGBW (full-on)	2880	34301	60
	RGB	1790	21323	51
	Red	655	7797	65
	Green	873	10401	66
	Blue	270	3214	22
	White	1118	13320	90

Illuminance at a Distance



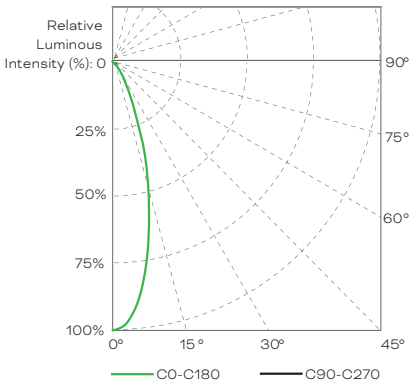
For Foot-candle divide by 10.7
IES and LDT files are available for download from the Traxon website.

Color	Distance	320mm / 12.6"		1200mm / 47.2"	
		Illuminance		Illuminance	
		LUX	FC	LUX	FC
RGBW (full-on)	0.5m / 1.6'	33786.72	3157.64	135146.88	12630.55
	1m / 3.3'	8447.04	789.44	33788.16	3157.77
	1.5m / 4.9'	3754.08	350.85	15016.32	1403.39
	2m / 6.6'	2111.76	197.36	8447.04	789.44
	2.5m / 8.2'	1351.44	126.30	5405.76	505.21
	3m / 9.8'	938.88	87.75	3755.52	350.98
RGB	0.5m / 1.6'	21022.85	1964.75	83997.54	7850.24
	1m / 3.3'	5255.94	491.21	21000.28	1962.64
	1.5m / 4.9'	2335.87	218.31	9333.06	872.25
	2m / 6.6'	1313.98	122.80	5250.07	490.66
	2.5m / 8.2'	840.90	78.59	3359.83	314.00
	3m / 9.8'	584.19	54.60	2334.16	218.15
Red	0.5m / 1.6'	7695.86	719.24	30736.53	2872.57
	1m / 3.3'	1924.05	179.82	7684.46	718.17
	1.5m / 4.9'	855.10	79.92	3415.17	319.17
	2m / 6.6'	481.01	44.95	1921.12	179.54
	2.5m / 8.2'	307.83	28.77	1229.44	114.90
	3m / 9.8'	213.86	19.99	854.12	79.82
Green	0.5m / 1.6'	10229.87	956.06	40966.40	3828.64
	1m / 3.3'	2557.58	239.03	10242.04	957.20
	1.5m / 4.9'	1136.65	106.23	4551.82	425.40
	2m / 6.6'	639.39	59.76	2560.51	239.30
	2.5m / 8.2'	409.19	38.24	1638.62	153.14
	3m / 9.8'	284.27	26.57	1138.39	106.39
Blue	0.5m / 1.6'	3144.04	293.84	12670.02	1184.11
	1m / 3.3'	786.04	73.46	3167.64	296.04
	1.5m / 4.9'	349.34	32.65	1407.78	131.57
	2m / 6.6'	196.51	18.37	791.91	74.01
	2.5m / 8.2'	125.76	11.75	506.79	47.36
	3m / 9.8'	87.37	8.17	352.08	32.90
White	0.5m / 1.6'	13092.35	1223.58	52463.27	4903.11
	1m / 3.3'	3273.23	305.91	13116.38	1225.83
	1.5m / 4.9'	1454.71	135.95	5829.25	544.79
	2m / 6.6'	818.31	76.48	3279.09	306.46
	2.5m / 8.2'	523.68	48.94	2098.49	196.12
	3m / 9.8'	363.82	34.00	1457.87	136.25

Source Specifications

Source	RGBW 4-in-1
Optics	30°

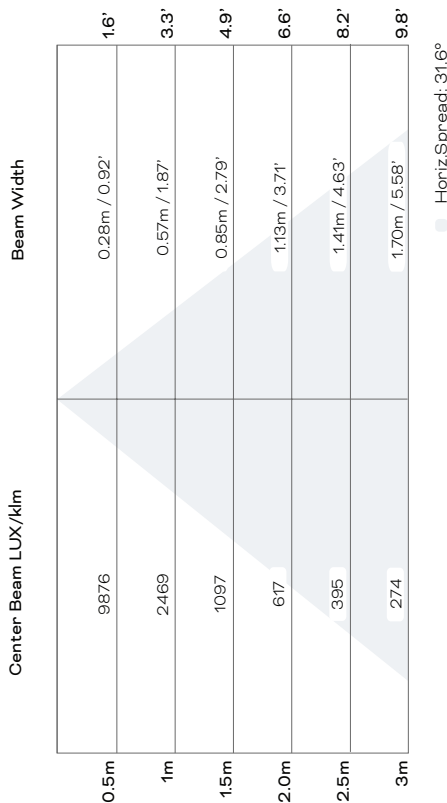
Candela Distribution



Light Output

	Color	Luminous Flux (lm)	Center Intensity (cd)	Efficacy (lm/W)
320mm / 12.6"	RGBW (full-on)	684	1710	57
	RGB	423	1057	48
	Red	149	371	59
	Green	210	526	64
	Blue	66	165	21
	White	270	676	87
1200mm / 47.2"	RGBW (full-on)	2736	6840	57
	RGB	1692	4229	48
	Red	594	1485	59
	Green	841	2102	64
	Blue	264	660	21
	White	1083	2707	87

Illuminance at a Distance



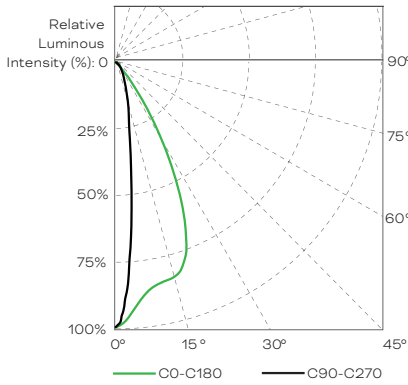
For Foot-candle divide by 10.7
IES and LDT files are available for download from the Traxon website.

Color	Distance	320mm / 12.6"		1200mm / 47.2"	
		LUX	FC	LUX	FC
RGBW (full-on)	0.5m / 1.6'	6755.18	631.33	27020.74	2525.30
	1m / 3.3'	1688.80	157.83	6755.18	631.33
	1.5m / 4.9'	750.35	70.13	3001.39	280.50
	2m / 6.6'	422.03	39.44	1688.11	157.77
	2.5m / 8.2'	270.18	25.25	1080.72	101.00
	3m / 9.8'	187.42	17.52	749.66	70.06
RGB	0.5m / 1.6'	4177.55	390.43	16710.19	1561.70
	1m / 3.3'	1044.39	97.61	4177.55	390.43
	1.5m / 4.9'	464.03	43.37	1856.12	173.47
	2m / 6.6'	260.99	24.39	1043.96	97.57
	2.5m / 8.2'	167.09	15.62	668.34	62.46
	3m / 9.8'	115.90	10.83	463.61	43.33
Red	0.5m / 1.6'	1471.52	137.53	5866.34	548.26
	1m / 3.3'	367.88	34.38	1466.59	137.06
	1.5m / 4.9'	163.45	15.28	651.62	60.90
	2m / 6.6'	91.93	8.59	366.50	34.25
	2.5m / 8.2'	58.86	5.50	234.63	21.93
	3m / 9.8'	40.83	3.82	162.76	15.21
Green	0.5m / 1.6'	2073.96	193.83	8305.72	776.24
	1m / 3.3'	518.49	48.46	2076.43	194.06
	1.5m / 4.9'	230.37	21.53	922.58	86.22
	2m / 6.6'	129.57	12.11	518.90	48.50
	2.5m / 8.2'	82.95	7.75	332.20	31.05
	3m / 9.8'	57.54	5.38	230.43	21.54
Blue	0.5m / 1.6'	651.82	60.92	2607.26	243.67
	1m / 3.3'	162.95	15.23	651.82	60.92
	1.5m / 4.9'	72.40	6.77	289.61	27.07
	2m / 6.6'	40.72	3.81	162.89	15.22
	2.5m / 8.2'	26.07	2.44	104.28	9.75
	3m / 9.8'	18.08	1.69	72.34	6.76
White	0.5m / 1.6'	2666.52	249.21	10695.71	999.60
	1m / 3.3'	666.63	62.30	2673.93	249.90
	1.5m / 4.9'	296.19	27.68	1188.05	111.03
	2m / 6.6'	166.59	15.57	668.21	62.45
	2.5m / 8.2'	106.65	9.97	427.79	39.98
	3m / 9.8'	73.98	6.91	296.74	27.73

Source Specifications

Source	RGBW 4-in-1	
Optics	55° x 15°	

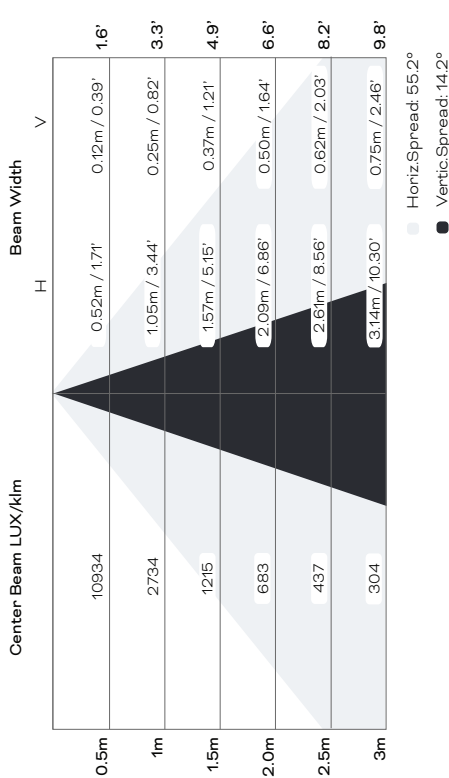
Candela Distribution



Light Output

	Color	Luminous Flux (lm)	Center Intensity (cd)	Efficacy (lm/W)
320mm / 12.6"	RGBW (full-on)	612	1573	51
	RGB	380	978	43
	Red	135	348	53
	Green	188	483	57
	Blue	59	151	19
	White	235	604	75
1200mm / 47.2"	RGBW (full-on)	2448	6291	51
	RGB	1521	3910	43
	Red	542	1392	53
	Green	751	1931	57
	Blue	234	602	19
	White	940	2417	75

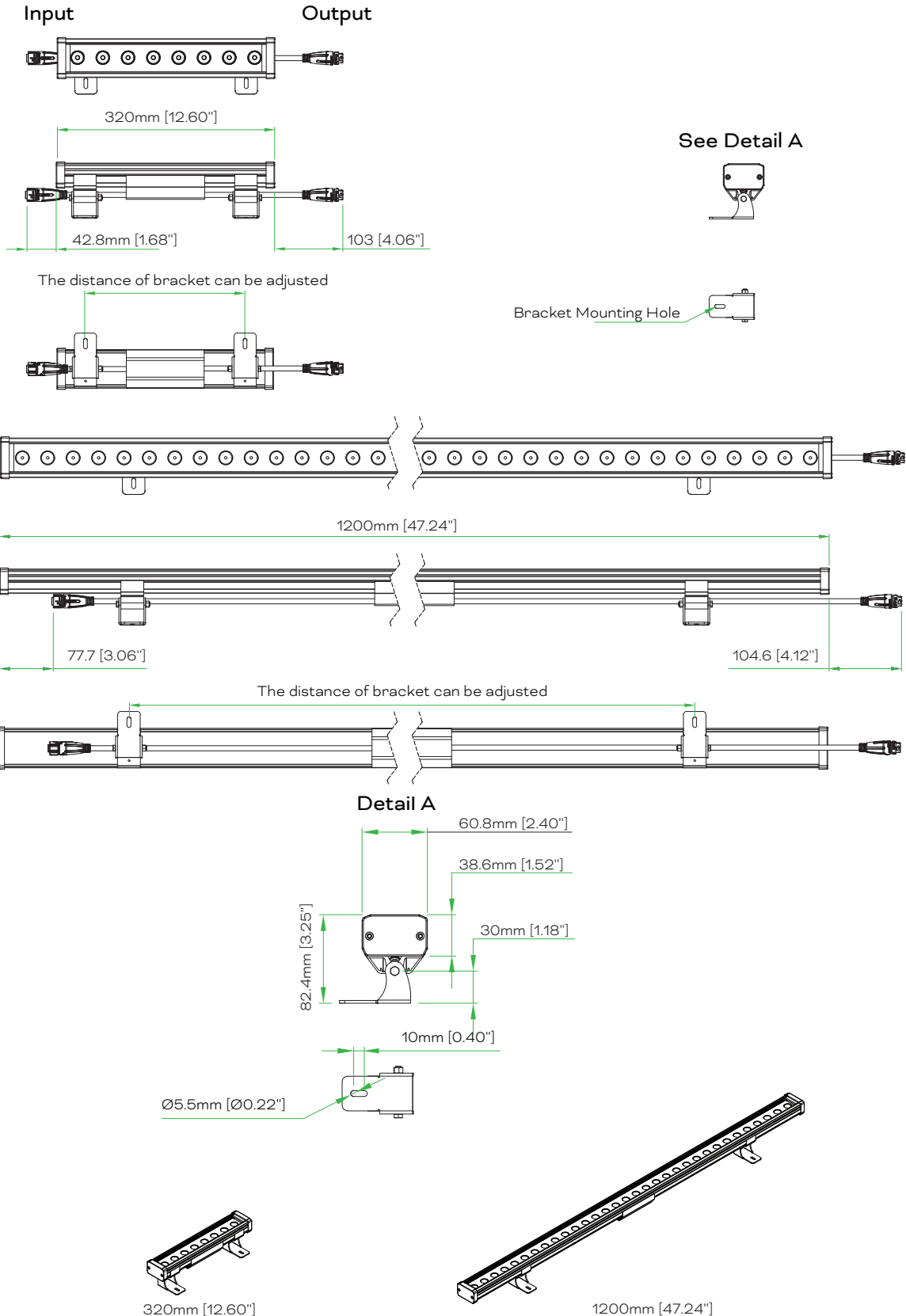
Illuminance at a Distance



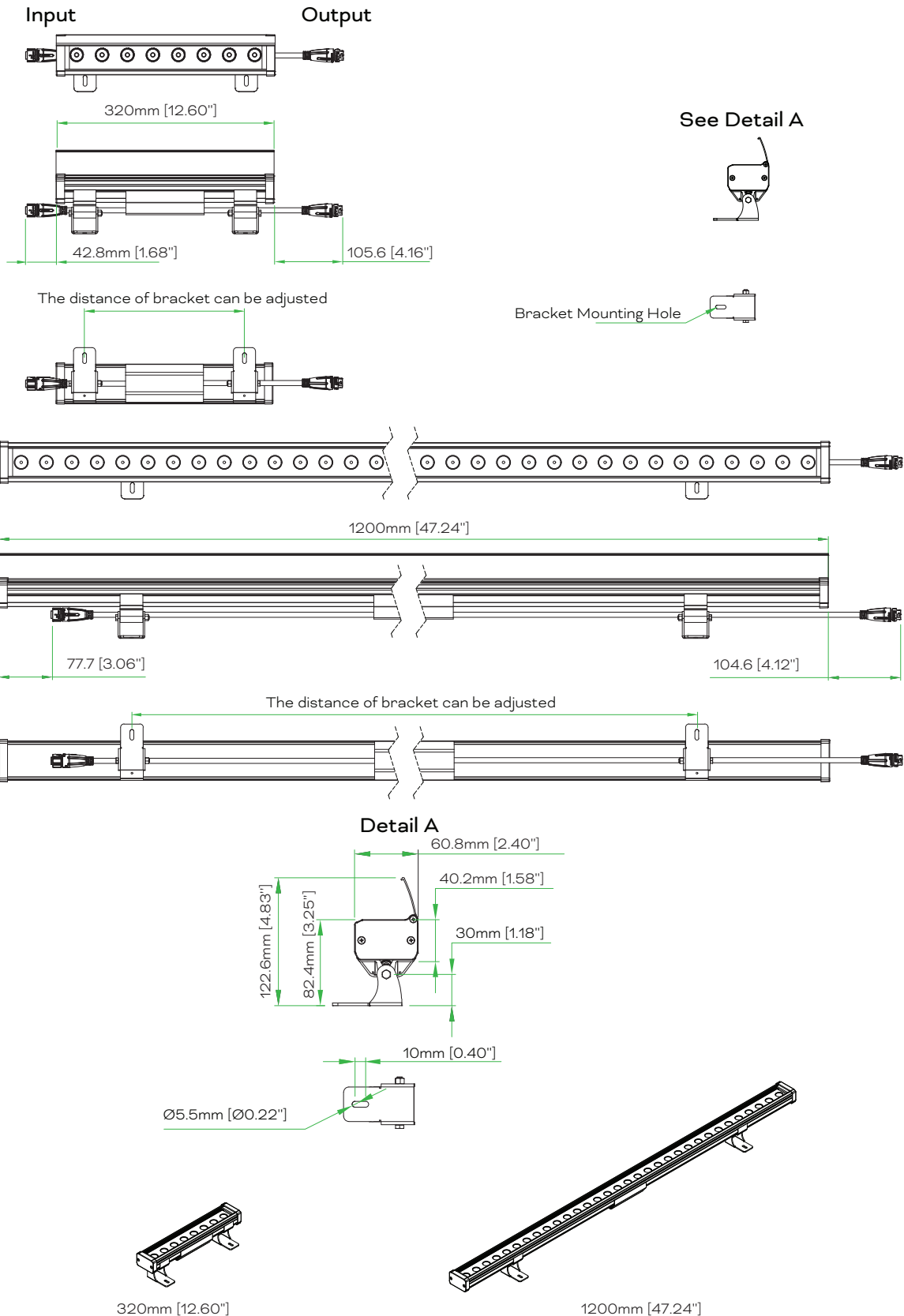
For Foot-candle divide by 10.7
IES and LDT files are available for download from the Traxon website.

Color	Distance	320mm / 12.6"		1200mm / 47.2"	
		Illuminance		Illuminance	
		LUX	FC	LUX	FC
RGBW (full-on)	0.5m / 1.6'	6691.61	625.38	26766.43	2501.54
	1m / 3.3'	1673.21	156.37	6692.83	625.50
	1.5m / 4.9'	743.58	69.49	2974.32	277.97
	2m / 6.6'	418.00	39.07	1671.98	156.26
	2.5m / 8.2'	267.44	24.99	1069.78	99.98
	3m / 9.8'	186.05	17.39	744.19	69.55
RGB	0.5m / 1.6'	4154.92	388.31	16630.61	1554.26
	1m / 3.3'	1038.92	97.10	4158.41	388.64
	1.5m / 4.9'	461.70	43.15	1848.02	172.71
	2m / 6.6'	259.54	24.26	1038.84	97.09
	2.5m / 8.2'	166.06	15.52	664.68	62.12
	3m / 9.8'	115.52	10.80	462.38	43.21
Red	0.5m / 1.6'	1476.09	137.95	5926.23	553.85
	1m / 3.3'	369.09	34.49	1481.83	138.49
	1.5m / 4.9'	164.03	15.33	658.53	61.54
	2m / 6.6'	92.21	8.62	370.19	34.60
	2.5m / 8.2'	59.00	5.51	236.85	22.14
	3m / 9.8'	41.04	3.84	164.77	15.40
Green	0.5m / 1.6'	2055.59	192.11	8211.43	767.42
	1m / 3.3'	513.99	48.04	2053.23	191.89
	1.5m / 4.9'	228.42	21.35	912.47	85.28
	2m / 6.6'	128.40	12.00	512.93	47.94
	2.5m / 8.2'	82.16	7.68	328.19	30.67
	3m / 9.8'	57.15	5.34	228.30	21.34
Blue	0.5m / 1.6'	645.11	60.29	2558.56	239.12
	1m / 3.3'	161.31	15.08	639.76	59.79
	1.5m / 4.9'	71.69	6.70	284.31	26.57
	2m / 6.6'	40.30	3.77	159.82	14.94
	2.5m / 8.2'	25.78	2.41	102.26	9.56
	3m / 9.8'	17.94	1.68	71.14	6.65
White	0.5m / 1.6'	2569.49	240.14	10277.96	960.56
	1m / 3.3'	642.49	60.05	2569.96	240.18
	1.5m / 4.9'	285.53	26.69	1142.10	106.74
	2m / 6.6'	160.51	15.00	642.02	60.00
	2.5m / 8.2'	102.70	9.60	410.78	38.39
	3m / 9.8'	71.44	6.68	285.76	26.71

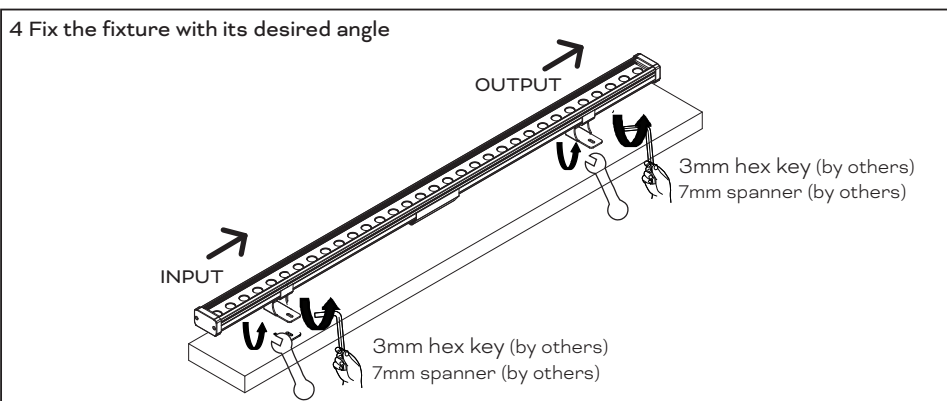
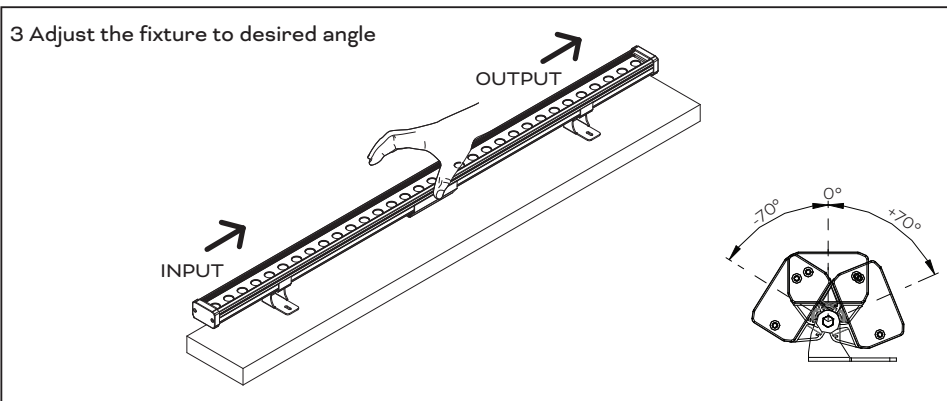
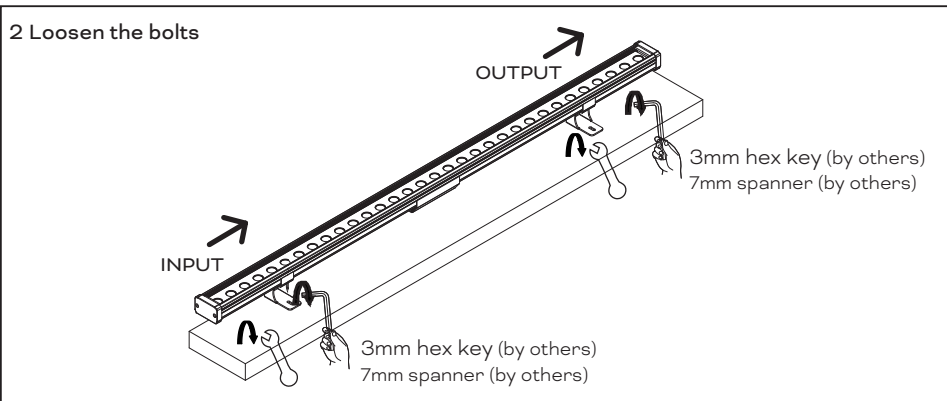
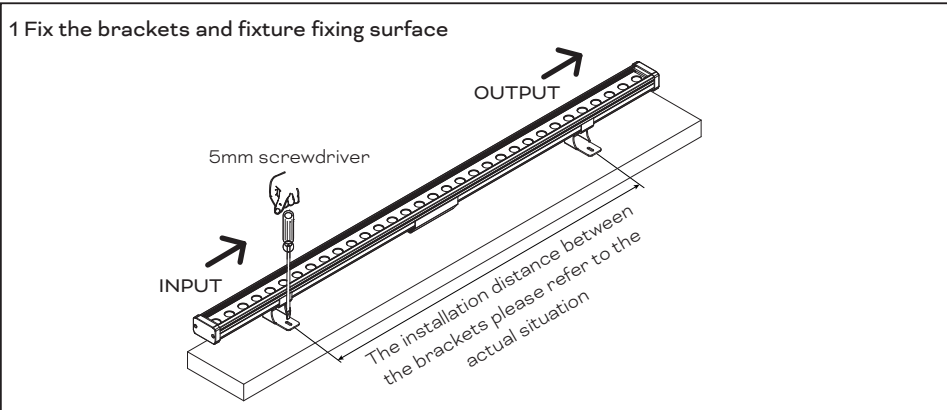
Fixture Dimensions (Without Glare Shield)



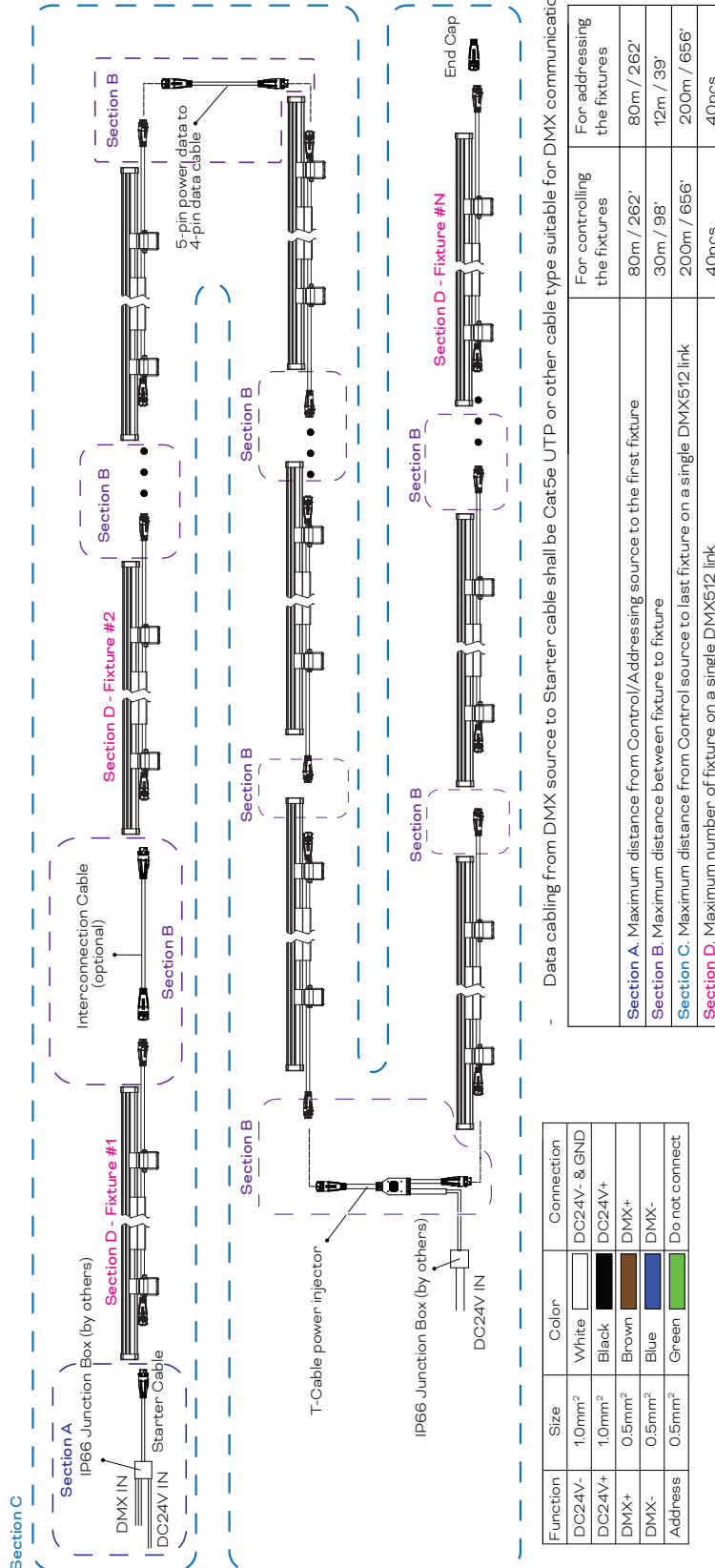
Fixture Dimensions (With Glare Shield)



Bracket Mounting



T-cable Wiring



Fixtures Model Number

XB	.	LG	.	3	NN	4	N	N	1	3	N	00
				Housing + Voltage	Wattage (Power)	LED	Optics	Length	Control	Approbation	Add on	
				Maxi DC	12: 12W	R+G+B+W4000K	1: 12°	1: 320mm	DMX	CE & ETL	0: Without GS	
					24: 24W		4: 30°	6: 1200mm			1: With GS	
					36: 36W		5: 45°					
					48: 48W		6: 55°					
							7: 30° x 15°					
							8: 55° x 15°					

Desired Model Number:

XB	.	LG	.	3		4			1	3		00
----	---	----	---	---	--	---	--	--	---	---	--	----

Fixtures (Without Glare Shield)

Model No.	Description	Item Code
XB.LG.31241113000	LINEAR GO MAXI DC 12W RGBW40 12° 320	DL23100423955
XB.LG.34841613000	LINEAR GO MAXI DC 48W RGBW40 12° 1200	DL23100424255
XB.LG.31244113000	LINEAR GO MAXI DC 12W RGBW40 30° 320	DL23100424355
XB.LG.34844613000	LINEAR GO MAXI DC 48W RGBW40 30° 1200	DL23100424655
XB.LG.31245113000	LINEAR GO MAXI DC 12W RGBW40 45° 320	DL23100424755
XB.LG.34845613000	LINEAR GO MAXI DC 48W RGBW40 45° 1200	DL23100425055
XB.LG.31246113000	LINEAR GO MAXI DC 12W RGBW40 55° 320	DL23100425155
XB.LG.34846613000	LINEAR GO MAXI DC 48W RGBW40 55° 1200	DL23100425455
XB.LG.31247113000	LINEAR GO MAXI DC 12W RGBW40 30°x15° 320	DL23100425555
XB.LG.34847613000	LINEAR GO MAXI DC 48W RGBW40 30°x15° 1200	DL23100425855
XB.LG.31248113000	LINEAR GO MAXI DC 12W RGBW40 55°x15° 320	DL23100425955
XB.LG.34848613000	LINEAR GO MAXI DC 48W RGBW40 55°x15° 1200	DL23100426255

Fixtures (With Glare Shield)

Model No.	Description	Item Code
XB.LG.31241113100	LINEAR GO MAXI DC 12W RGBW40 12° 320 GS	DL23100541855
XB.LG.34841613100	LINEAR GO MAXI DC 48W RGBW40 12° 1200 GS	DL23100542155
XB.LG.31244113100	LINEAR GO MAXI DC 12W RGBW40 30° 320 GS	DL23100542255
XB.LG.34844613100	LINEAR GO MAXI DC 48W RGBW40 30° 1200 GS	DL23100542555
XB.LG.31245113100	LINEAR GO MAXI DC 12W RGBW40 45° 320 GS	DL23100542655
XB.LG.34845613100	LINEAR GO MAXI DC 48W RGBW40 45° 1200 GS	DL23100542955
XB.LG.31246113100	LINEAR GO MAXI DC 12W RGBW40 55° 320 GS	DL23100543055
XB.LG.34846613100	LINEAR GO MAXI DC 48W RGBW40 55° 1200 GS	DL23100543355
XB.LG.31247113100	LINEAR GO MAXI DC 12W RGBW40 30°x15° 320 GS	DL23100543455
XB.LG.34847613100	LINEAR GO MAXI DC 48W RGBW40 30°x15° 1200 GS	DL23100543755
XB.LG.31248113100	LINEAR GO MAXI DC 12W RGBW40 55°x15° 320 GS	DL23100543855
XB.LG.34848613100	LINEAR GO MAXI DC 48W RGBW40 55°x15° 1200 GS	DL23100544155

TX Connect

Model No.	Description	Item Code
N / A	STARTER CABLE JYK DC 5-PIN 0.5M	DA23100096155
N / A	STARTER CABLE JYK DC 5-PIN 2M	DA23100096255
N / A	INTERCONNECTION CABLE JYK DC 5-PIN 0.5M	DA23100096355
N / A	INTERCONNECTION CABLE JYK DC 5-PIN 2M	DA23100096455
N / A	END CAP JYK DC DATA 5-PIN W/TERM	DA23100096555
N / A	T-CABLE JYK 5-PIN DC POWER INJECTOR	DA23100096655
N / A	5-PIN POWERDATA to 4-PIN DATA CABLE JYK	DA23100096755
N / A	Y-CABLE JYK 5-PIN DC POWER INJECTOR	DA23100754955

TX Control

Model No.	Description	Item Code
N / A	TX SMART ADDRESSER	AM438260055
N / A	LED ENGINE 24V 100W OUTDOOR	AM175860055
N / A	LED ENGINE 24V 185W OUTDOOR	AM175880055
N / A	LED ENGINE 24V 320W OUTDOOR	AM089350055

