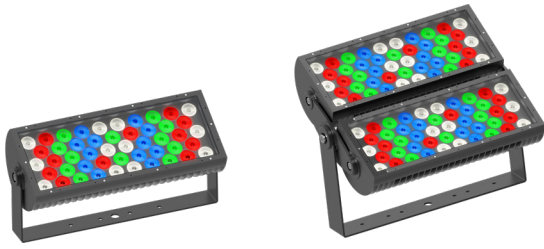


TRAXON Plus⁺

Vista Plus Maxi RGBW



Project: _____

Type: _____



IP66



COAST



DMX/RDM



ANSI 3G



IK08



The Vista Plus Maxi RGBW is an AC line powered, high brightness luminaire. Controllable with DMX512, the Vista Plus Maxi RGBW is a new member of the Vista Plus family, offering 200W per head with 1-head, 2-head options. The daisy chain topology, and direct-wire nature of the fixture via the two integral cable whips allow for simple installation into existing installations and new structures, and is ideal for high-rise and tower illumination. This product is intended for use in high-quality colored light applications.

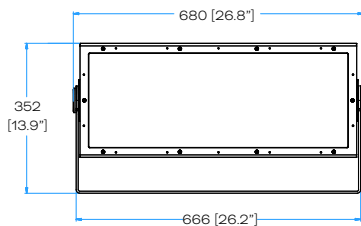
Features

- DMX / RDM control
- Easy installation and maintenance
- Dynamic Boost
- Assortment of optical and installation accessories

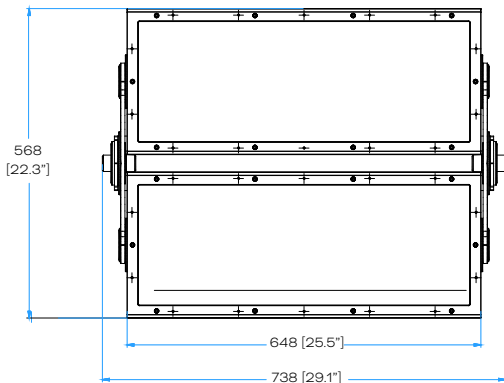
Dimensions

Unit: mm

Vista Plus Maxi 1x200W



Vista Plus Maxi 2x200W



Technologies

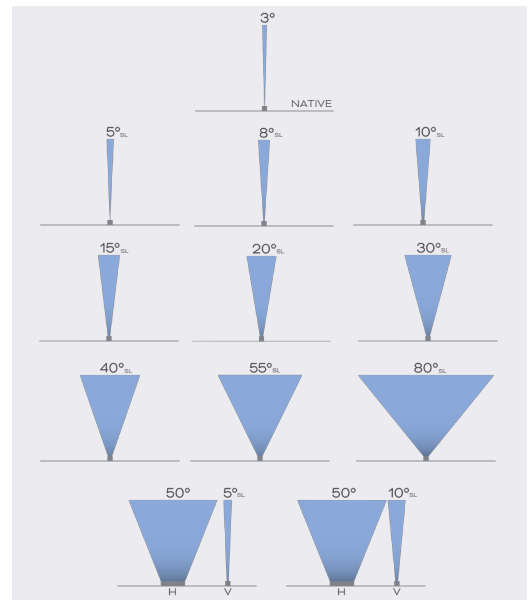
- Auto-Addressing / Manual Addressing
- Dynamic Boost

Color Options



RGBA option is on demand

Beam Angles



Finish



Traxon Signature Gray
RAL 7005



RAL 7015



RAL 9005



RAL 9003



Custom

Product Specifications

Model	1x 200W	2x 200W
Light Source	Discrete LED x 48	
Pixel	1 pixel per head, each head can be controlled individually	
Color Range	RGBW40 (White CCT: 4000K) with Mid Blue or Royal Blue options; Other White CCT and RGBA available on demand	
LED Quantity	RGBW Discrete (D) LED 48 pcs 12R+12G+12B+12W	RGBW Discrete (D) LED 96 pcs 24R+24G+24B+24W
Luminous Flux (White Balance Full on)	11200 lm (3°) with Mid Blue or Royal Blue	22400 lm (3°) with Mid Blue or Royal Blue
Candela (White Balance Full on)	1478400 cd (3°) with Mid Blue or Royal Blue	2956800 cd (3°) with Mid Blue or Royal Blue
Efficacy (White Balance Full on)	56 lm/W (3°)	
CRI	≥80 (White LED)	
Beam Angles	3° native ¹ ; 5°, 8°, 10°, 15°, 20°, 30°, 40°, 55°, 80°, 50° x 10°, 50° x 5° via accessory	
Cover Lens	Tempered Glass	
Housing	Die Cast Aluminum	
Housing Finish Options	Standard color: Traxon Signature Gray (RAL7005) Optional color: Gray (RAL7015), Black (RAL9005), White (RAL9003), Custom	
Adjustment Options	1x200W: ±90° vertical 2x200W: ±30° vertical per head, see page 5 for additional information	
Mounting	Surface Mount Optional mounting accessories are available	
Dimensions (W x D x H)	680mm x 352mm x 268mm (26.8" x 13.9" x 10.6")	738mm x 648mm x 174mm (29.1" x 25.5" x 6.9")
Weight	22.3 kg (49.17 lbs.)	45.5 kg (100.31 lbs.)
EPA	Front: 1.17 Side: 0.63	Front: 1.25 Side: 1.48
Regulatory Listing & Safety Approval	cETLus, CE, UKCA, FCC, RoHS, REACH, ASTM B117-16, ANSI 3G	
Operating Temperature	-30°C to +55°C / -22°F to +131°F	
Minimum Starting Temperature	-20°C / -4°F	
Storage Temperature	-40°C to +80°C / -40°F to +176°F	
Environment	Outdoor, IP66, IK08, Coastal Environment (ASTM B117-16)	
Humidity	85%, non-condensing	

Electrical Specifications

Operating Voltage ²	120-277V AC 50/60Hz	
Power Consumption (W)	200	400
Lumen Maintenance	L70 @25°C 81,000hrs	
Power Factor	> 0.9	

System Specifications

Power Supply	AC line	
Control	DMX/RDM RDM Personalities ³ ; RGBW equal current mode, RGBW White balance mode (Default, RGBW40 full on to 6500K), Dynamic boost mode, 16-Bit	
Addressing Options ⁴	Auto-addressing ON or Auto-addressing OFF (Default as Auto-addressing OFF, address through RDM)	

1: 3° native with actual measurement of avg. 3.3°.

2: Auto-switching. Single phase (line, neutral and ground).

3: RDM Personalities

- RGBW Equal Current mode: Each R, G, B, W channel is driven by the same driving current

- RGBW White Balance mode: Each R, G, B, W channel is driven by a modified driving current so that when RGBW is all on, the resulted white is balanced to a defined CCT. In the case of Vista Plus standard RGBW30, when 4 channels are turned on with the same DMX value, the resulted White color is balanced to an approximate 4000K CCT.

- Dynamic Boost mode: In applications where not all channels of a fixture are used, a portion of the unused channels' power would be redirected to the channel(s) that is(are) used to boost the light output. For a RGBW fixture, depending on whether 1, 2 or 3 channels are in used, the redirected power would vary, and in the case that all 4 channels are used, there will be no boost and the efficacy would be lower than Equal current mode/White Balance mode. Ideal for application when mainly 1 to 3 channels are used to offer higher total lumen per color.

4: Auto-addressing Off (i.e. Manual addressing) is as default.

LED CHARACTERISTICS Because LEDs are semiconductor devices, their performances are subject to inherent variability commonly found in semiconductor industry. To improve consistency in performance across the same product, LED manufacturers "sort" LEDs into bins according to different preset parameters, such as forward driving voltage, illumination, etc. Whereas binning is a sorting function, it is not a correction process. Inherent variability in the manufacturing process results always in different binning distributions according to different production lots. Traxon uses automatically binned LEDs on its products, thereby minimizing output variations within the model range.

As with all electronic devices, LED output degrades over time – a term called lumen depreciation. This also explains why it is nearly impossible to expect photometric performances of two LED products with different service life spans to be the same. The rate of LED degrade is a complicated function of many factors such as operating efficiency, duration of continuous operation, and more significantly, environmental conditions (ambient temperature for example). If allowed working under optimal operating temperature range and with good ventilation, LED devices enjoy long service lives over conventional light sources. When using/installing LED devices, care should be taken to ensure that the devices will operate within the operating conditions specified in respective product literature.

This product contains a light source of energy efficiency class G to Regulation (EU) No 2019/2015.

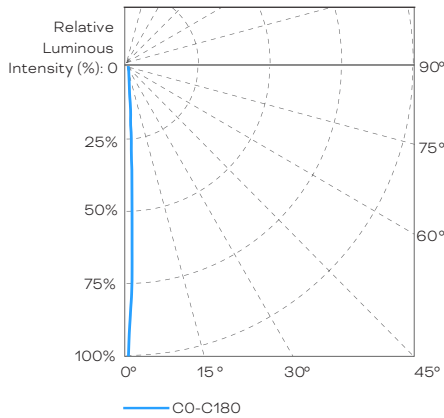
Lumen measurement complies with LM-79-08 standard.

Lumen maintenance is calculated based on LM-80 compliant measurement.

Source Specifications

Length Option	1x200W	2x200W
Source	RGBW Discrete (D) LED 48 pcs 12R+12G+12B+12W	RGBW Discrete (D) LED 96 pcs 24R+24G+24B+24W
Optics	3°	

Candela Distribution



Illuminance at a Distance

	Center Beam LUX/klm	Beam Width	
20m	402	1.12m / 3.67'	65.62'
40m	101	2.23m / 7.32'	131.23'
60m	45	3.35m / 10.99'	196.85'
80m	25	4.47m / 14.67'	262.47'
100m	16	5.59m / 18.34'	328.08'
120m	11	6.70m / 21.98'	393.70'

For Foot-candle divide by 10.7

IES and LDT files are available for download from the Traxon website.

Horiz Spread: 3.2°

Light Output - White Balance Mode

	Color With Mid Blue	Luminous Flux (lm)	Center Intensity (cd)	Efficacy (lm/W)
1x200W	RGBW (Full On)	11200.0	1478400	56.0
	RGB	6148.1	811543	45.2
	Red	1541.3	203450	29.7
	Green	4202.7	554763	62.4
	Mid Blue	542.2	71567	14.5
	White 4000K	5191.1	685223	71.3
2x200W	RGBW (Full On)	22400.0	2956800	56.0
	RGB	12296.1	1623087	45.2
	Red	3082.6	406900	29.7
	Green	8405.5	1109525	62.4
	Mid Blue	1084.3	143134	14.5
	White 4000K	10382.2	1370445	71.3

Luminaire setting: White Balance mode.

Light Output - Dynamic Boost Mode

	Color With Mid Blue	Luminous Flux (lm)	Center Intensity (cd)	Efficacy (lm/W)
1x200W	RGBW (Full On)	8000.0	1056000	40.0
	RGB	6296.6	831148	31.5
	Red	3235.6	427102	23.6
	Green	7295.9	963058	50.7
	Mid Blue	2271.6	299857	15.1
	White 4000K	9605.8	1267962	62.0
2x200W	RGBW (Full On)	16000.0	2112000	40.0
	RGB	12593.2	1662297	31.5
	Red	6471.2	854203	23.6
	Green	14591.8	1926117	50.7
	Mid Blue	4543.3	599714	15.1
	White 4000K	19211.5	2535924	62.0

Luminaire setting: Dynamic Boost mode.

	Color With Royal Blue	Luminous Flux (lm)	Center Intensity (cd)	Efficacy (lm/W)
1x200W	RGBW (Full On)	11200.0	1478400	56.0
	RGB	6148.1	811543	45.2
	Red	1541.3	203450	29.7
	Green	4202.7	554763	62.4
	Royal Blue	141.0	18607	3.8
	White 4000K	5191.1	685223	71.3
2x200W	RGBW (Full On)	22400.0	2956800	56.0
	RGB	12296.1	1623087	45.2
	Red	3082.6	406900	29.7
	Green	8405.5	1109525	62.4
	Royal Blue	281.9	37215	3.8
	White 4000K	10382.2	1370445	71.3

Luminaire setting: White Balance mode.

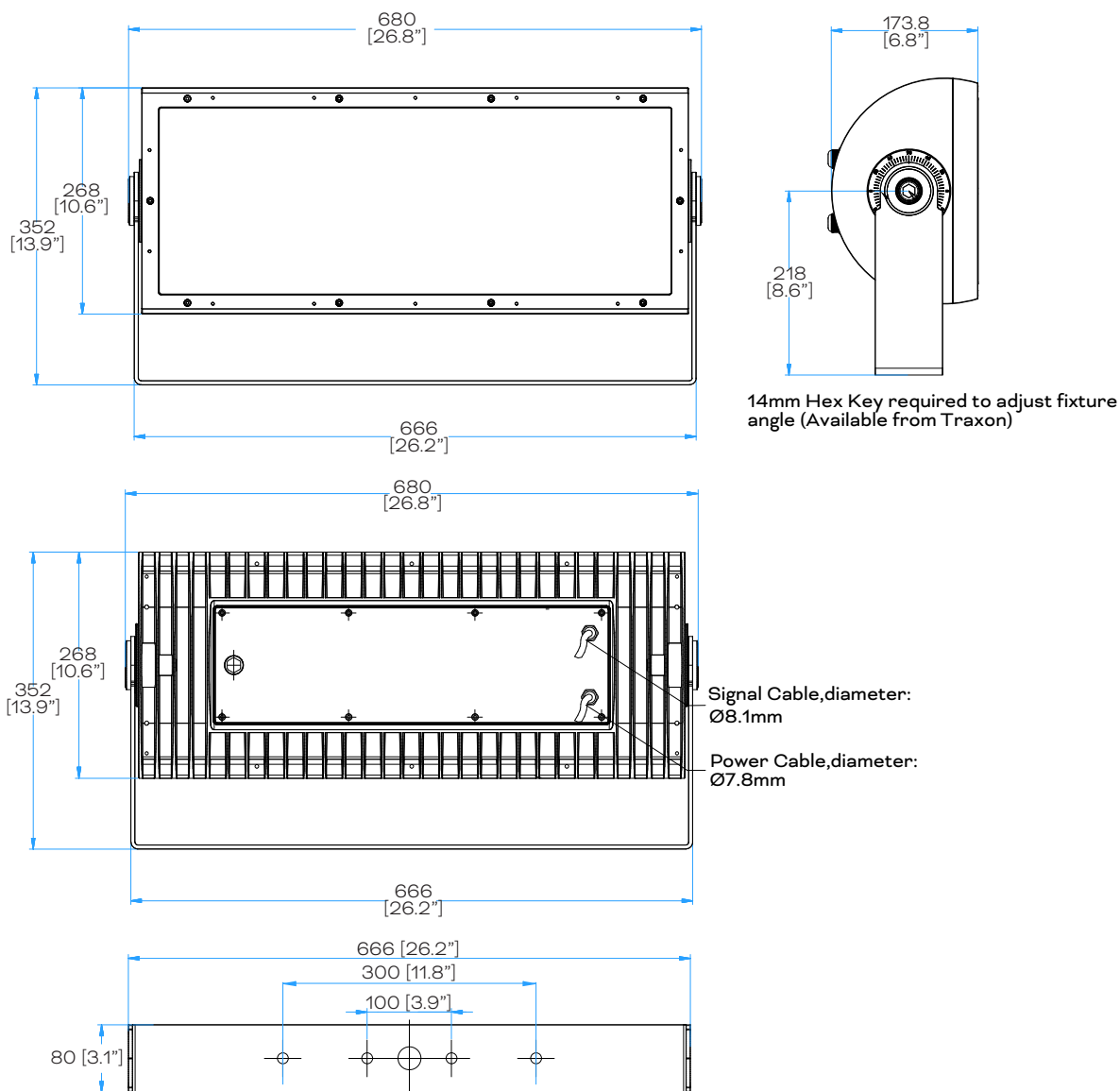
	Color With Royal Blue	Luminous Flux (lm)	Center Intensity (cd)	Efficacy (lm/W)
1x200W	RGBW (Full On)	8800.0	1161600	44.0
	RGB	6926.2	914263	34.6
	Red	3559.2	469812	26.0
	Green	8025.5	1059364	55.8
	Royal Blue	649.7	85759	4.3
	White 4000K	10566.4	1394758	68.2
2x200W	RGBW (Full On)	17600.0	2323200	44.0
	RGB	13852.5	1828526	34.6
	Red	7118.4	939623	26.0
	Green	16051.0	2118728	55.8
	Royal Blue	1299.4	171518	4.3
	White 4000K	21132.7	2789517	68.2

Luminaire setting: Dynamic Boost mode.

	Power input cable	Power Data in / out cable (combined) cable
Cable Length (open wire)	1830mm [72"]	1830mm [72"]
Cable Outer Diameter	7.8mm [0.31"]	8.1mm [0.32"]

Fixture - 1x200W

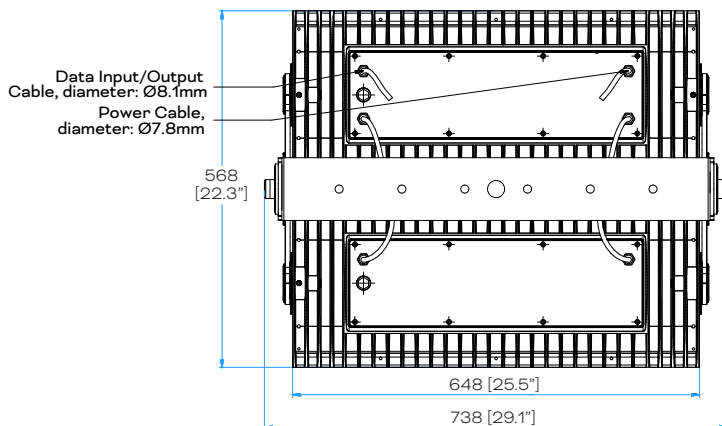
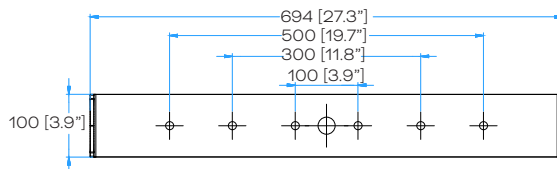
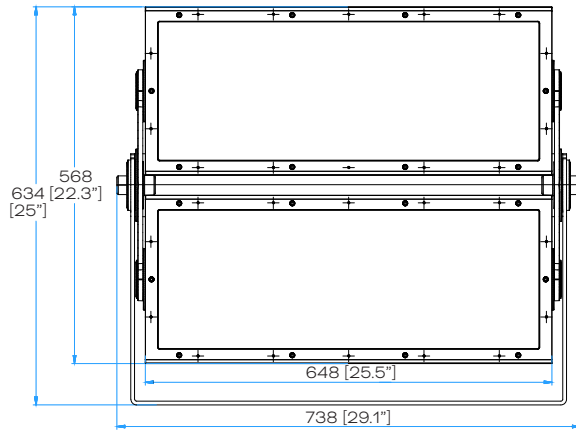
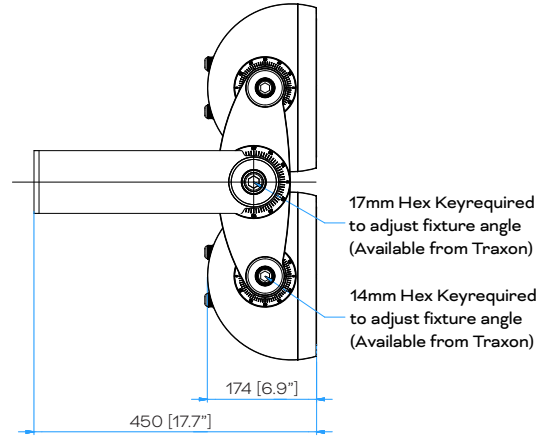
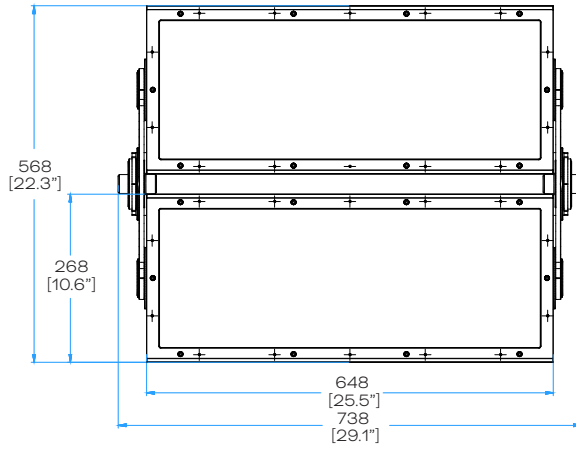
Unit: mm



NOTE: Please see CAD files for additional dimensional data.

Fixture - 2x200W

Unit: mm

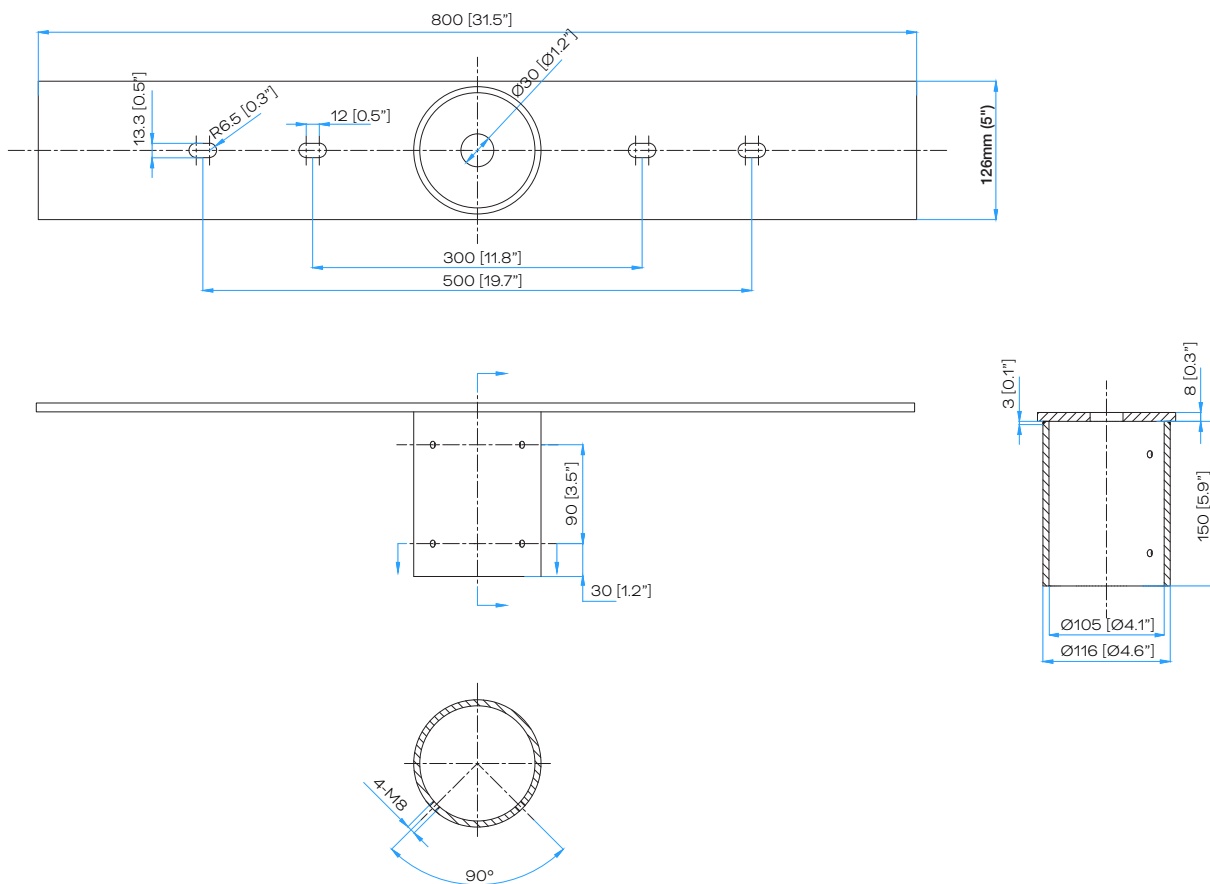


NOTE: Please see CAD files for additional dimensional data.

Mounting Accessories

Model No.	Description	Item Code
N/A	VISTA PLUS POLE-MOUNTING SUPPORT	AM380750055
N/A	VISTA PLUS POLE-MOUNTING SUPPORT BL	AM380900055
N/A	VISTA PLUS POLE-MOUNTING SUPPORT WT	AM381050055

Unit: mm

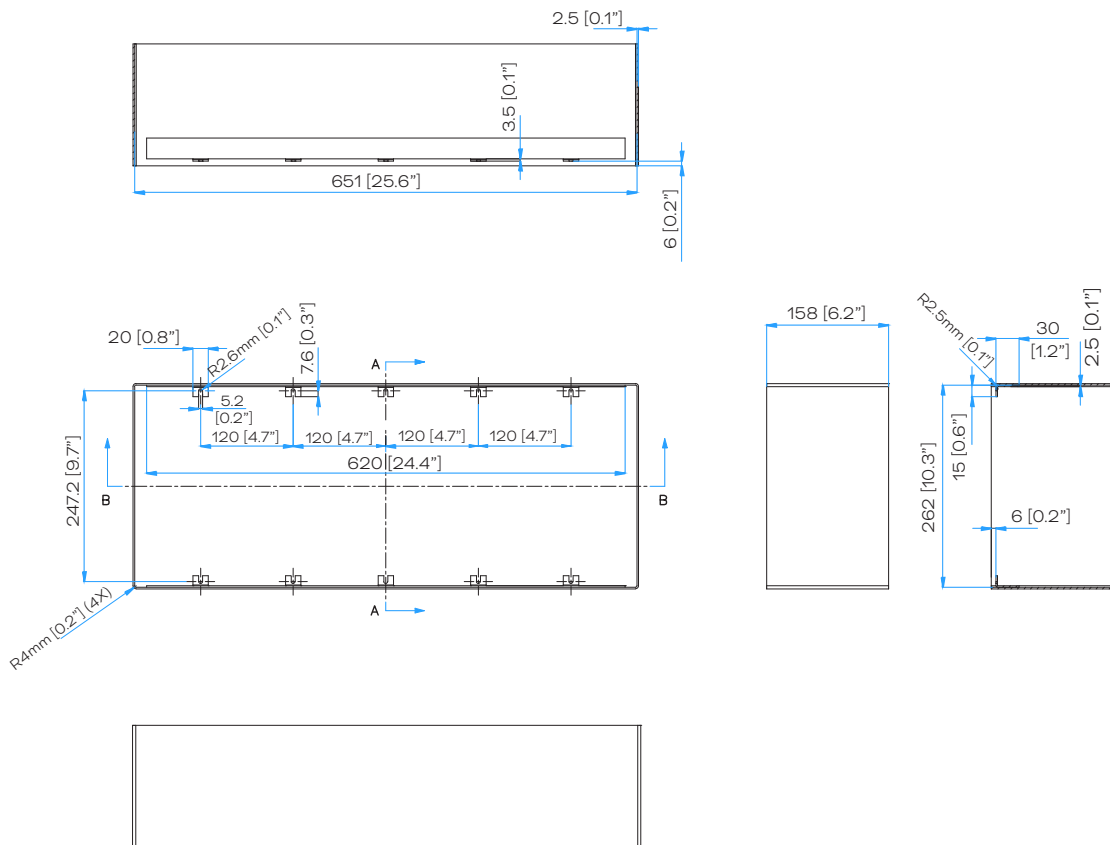


Optical Accessories

Full Glare Shield

Model No.	Description	Item Code
N/A	VISTA PLUS 200W FULL SHIELD	AM380720055
N/A	VISTA PLUS 200W FULL SHIELD BL	AM380880055
N/A	VISTA PLUS 200W FULL SHIELD WT	AM381030055

Unit: mm

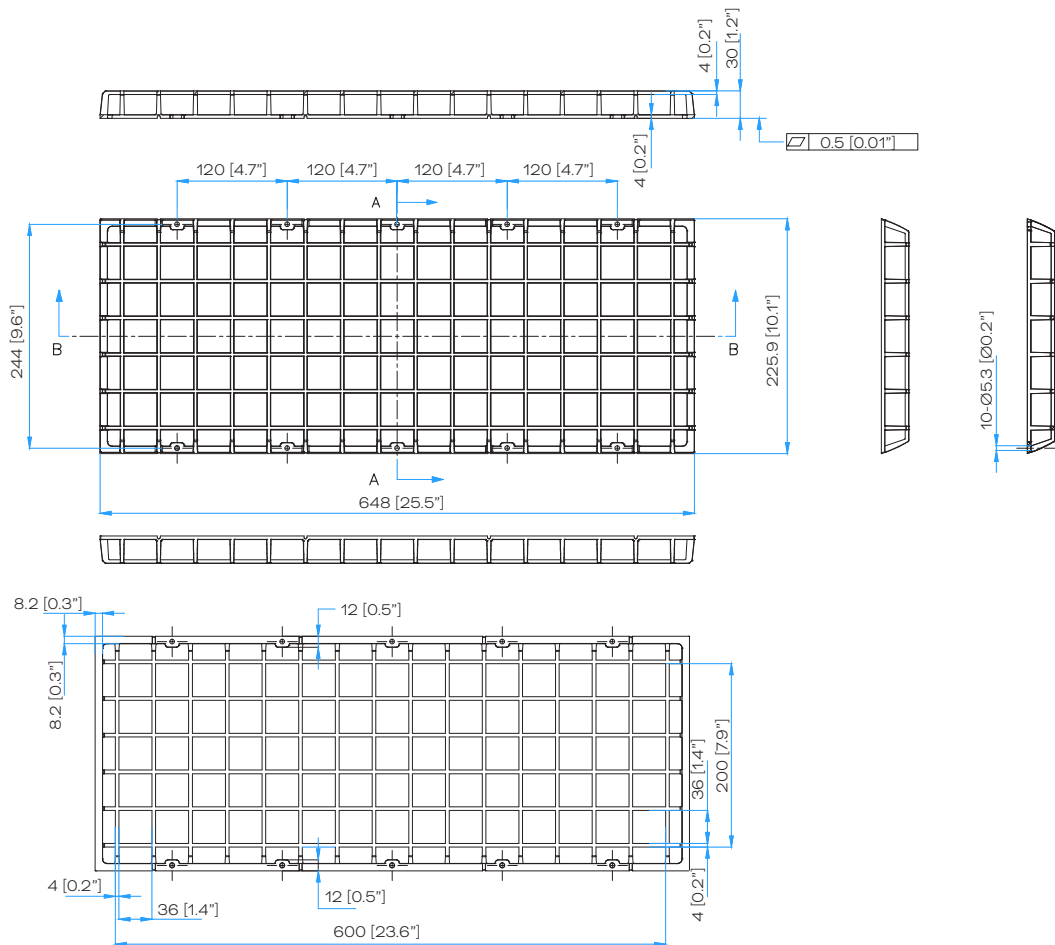


Optical Accessories

Rock Guard

Model No.	Description	Item Code
N/A	VISTA PLUS 200W ROCK GUARD	AM380730055
N/A	VISTA PLUS 200W ROCK GUARD BL	AM380890055
N/A	VISTA PLUS 200W ROCK GUARD WT	AM381040055

Unit: mm



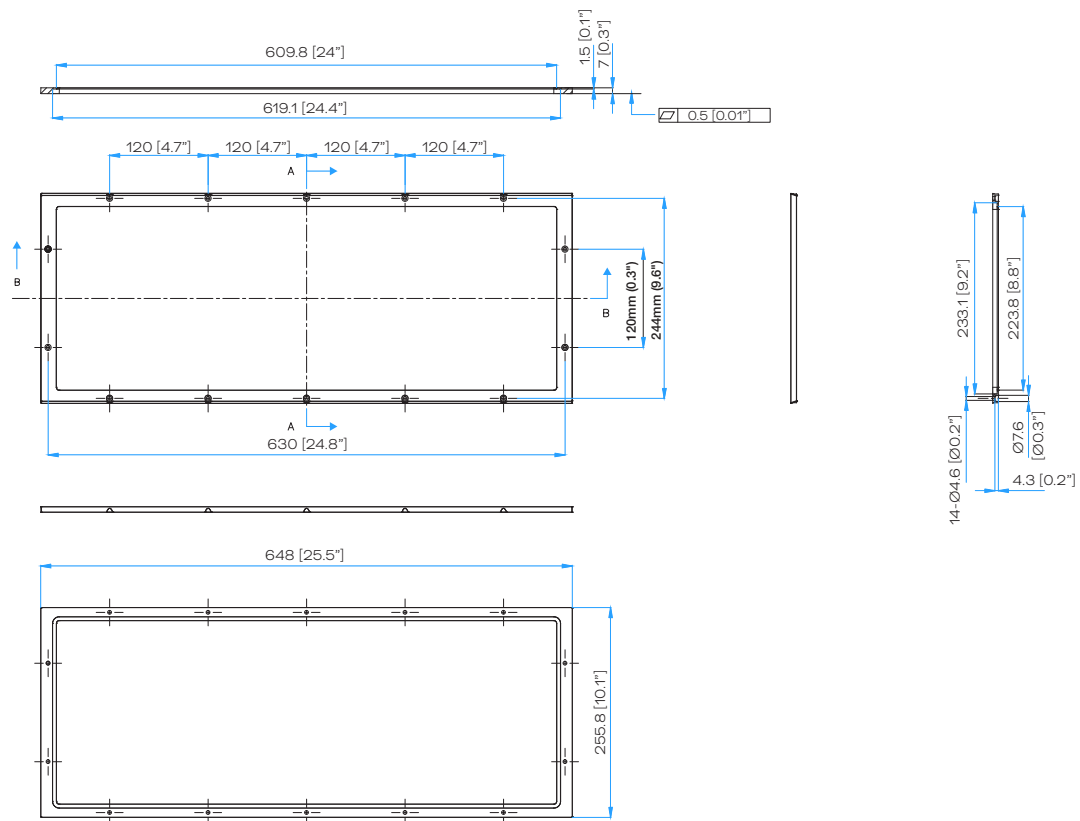
NOTE: Please see CAD files for additional dimensional data.

Optical Accessories

Spread Lens Module

Model No.	Description	Item Code
N/A	VISTA PLUS 200W SPREAD MODULE 5 / 5 BL/ 5 WT	AM380760055 / AM380860055 / AM381060055
N/A	VISTA PLUS 200W SPREAD MODULE 8 / 8 BL/ 8 WT	AM380770055 / AM380920055 / AM381070055
N/A	VISTA PLUS 200W SPREAD MODULE 10 / 10 BL/ 10 WT	AM380780055 / AM380930055 / AM381080055
N/A	VISTA PLUS 200W SPREAD MODULE 15 / 15 BL/ 15 WT	AM380790055 / AM380940055 / AM381090055
N/A	VISTA PLUS 200W SPREAD MODULE 20 / 20 BL/ 20 WT	AM380800055 / AM380950055 / AM381100055
N/A	VISTA PLUS 200W SPREAD MODULE 30 / 30 BL/ 30 WT	AM380810055 / AM380960055 / AM381110055
N/A	VISTA PLUS 200W SPREAD MODULE 40 / 40 BL/ 40 WT	AM380820055 / AM380970055 / AM381120055
N/A	VISTA PLUS 200W SPREAD MODULE 55 / 55 BL/ 55 WT	AM380830055 / AM380980055 / AM381130055
N/A	VISTA PLUS 200W SPREAD MODULE 80 / 80 BL/ 80 WT	AM380840055 / AM380990055 / AM381140055
N/A	VISTA PLUS 200W SPREAD MODULE 50X10 / 50X10 BL/ 50X10 WT	AM380850055 / AM381000055 / AM381150055
N/A	VISTA PLUS 200W SPREAD MODULE 50X5 / 50X5 BL/ 50X5 WT	AM380860055 / AM381010055 / AM381160055

Unit: mm



NOTE: Please see CAD files for additional dimensional data.

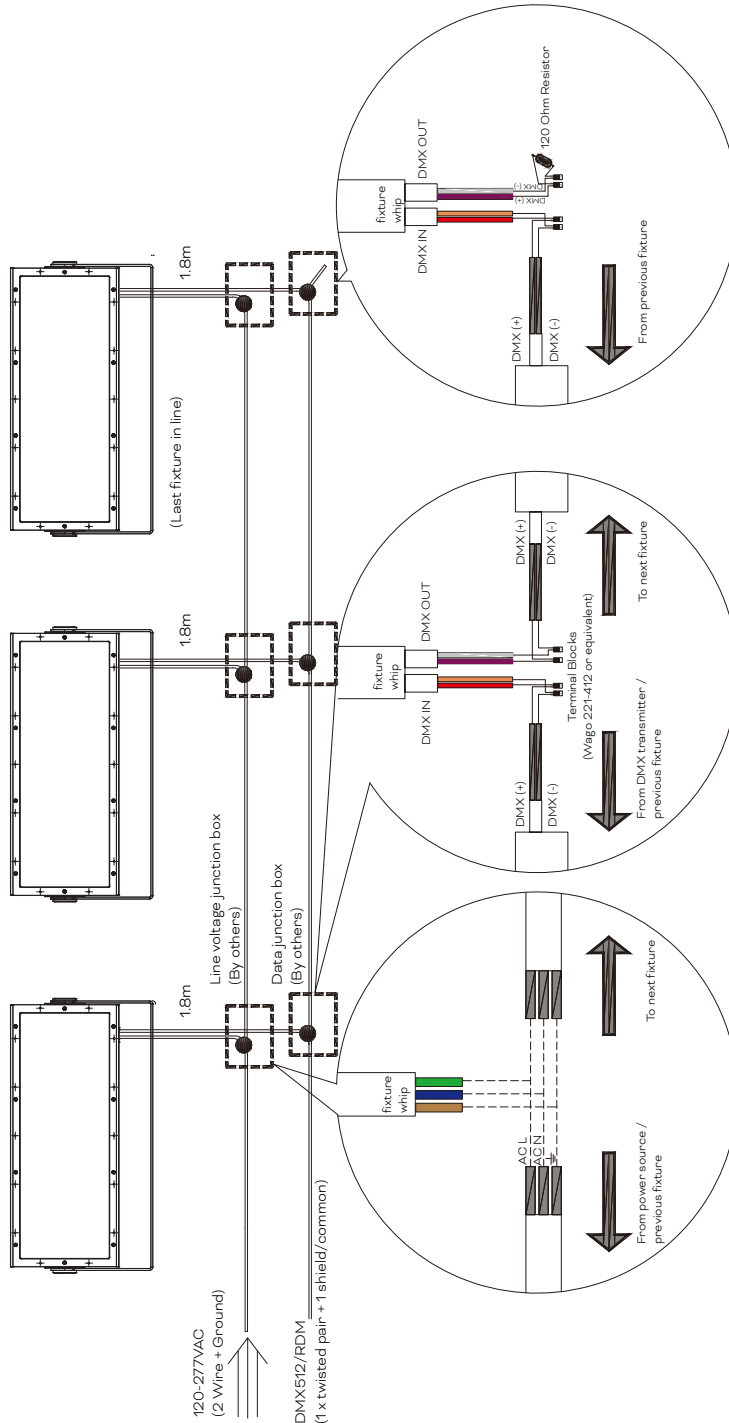
Wiring Diagram - 1x200W

— Data cabling from DMX source to first fixture and between subsequent Vista Plus fixtures shall be Cat5e UTP or higher (stranded type only) or other cable type suitable for DMX communication. Consult DMX standard for additional guidance.

— Each DMX512 link must be properly terminated to prevent signal reflections.

— Vista Plus fixtures ship with two cable whips: One cable whip for power input, consisting of two wires plus a ground, and one cable whip for DMX512 RDM input/output.

— No more than (32) fixtures on a single DMX512 link, max. 100m total (source to last fixture). Each fixture has 1.8m DMX data cable (total 3.6m DMX in and DMX out), it should be included in the 100m total calculation.

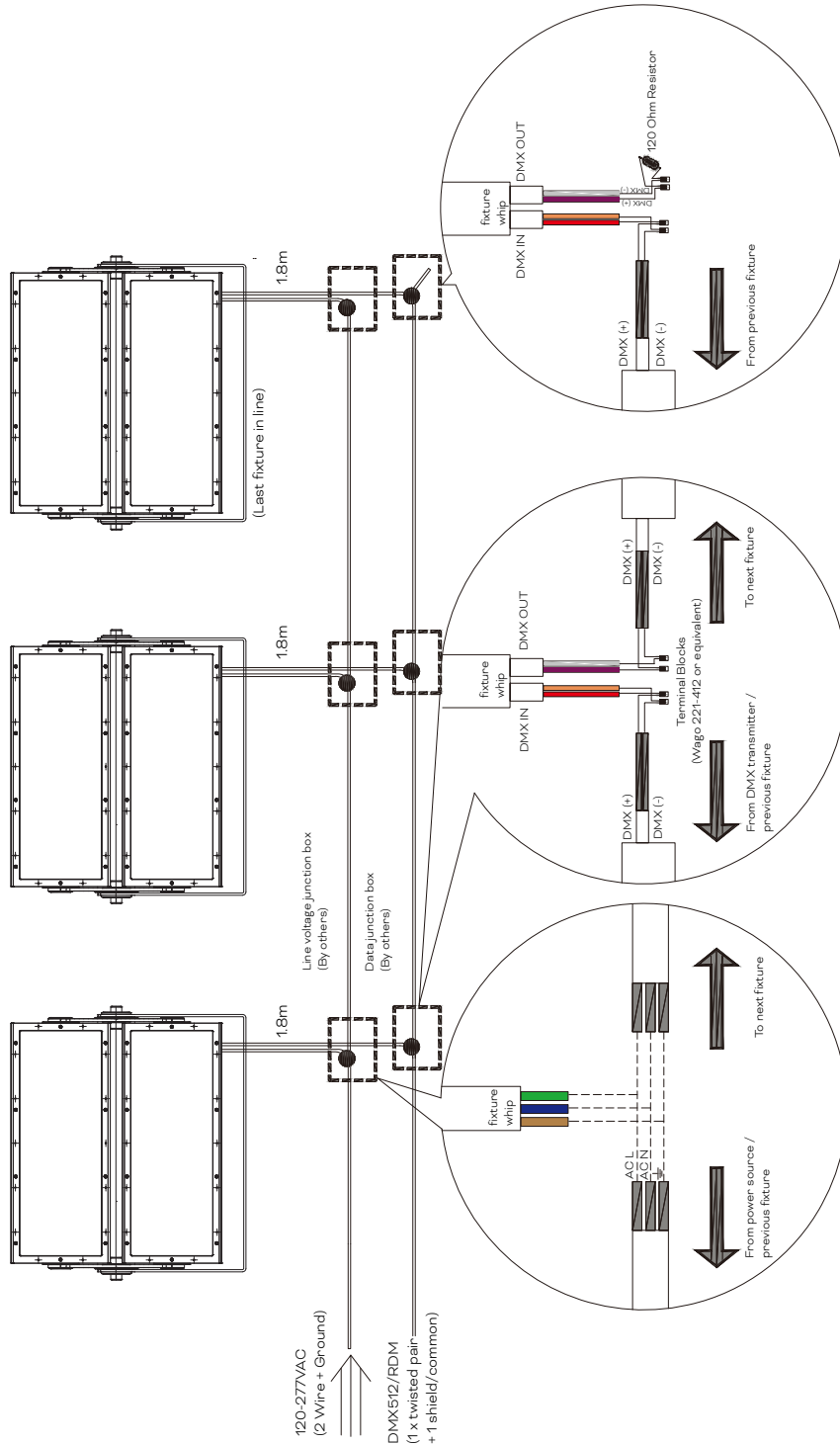


General Notes

- All data cabling must adhere to ANSI E1.11-2008 (R2013) – Entertainment Technology – USITT DMX512-A, Asynchronous Serial Digital Data Transmission Standard for Controlling Lighting Equipment and Accessories.
- Fixture is RDM compatible.
- Fixtures allow a universal input of 120V AC to 277V AC.
- Data termination shall utilize cage clamp terminal blocks, or equivalent. Wire nuts are not permissible and will void warranty.
- The method of line voltage termination, both for data and power, is at the discretion of the installing contractor, and/or engineer. Splicing and/or joining of cables must adhere to all applicable electrical codes.
- Cables must be spliced/joined in a weatherproof enclosure/junction box, which is to be properly rated and provided by others.

Wiring Diagram - 2x200W

- Vista Plus fixtures ship with two cable whips: One cable whip for power input, consisting of two wires plus a ground, and one cable whip for DMX512 RDM input/output.
- No more than (32) fixtures on a single DMX512 link, max. 100m total (source to last fixture). Each fixture has 1.8m DMX data cable (total 3.6m DMX in and DMX out), it should be included in the 100m total calculation.
- Each DMX512 link must be properly terminated to prevent signal reflections.
- Data cabling from DMX source to first fixture and between subsequent Vista Plus fixtures shall be Cat5e UTP or higher (stranded type only) or other cable type suitable for DMX communication. Consult DMX standard for additional guidance.



General Notes

- All data cabling must adhere to ANSI/E11-2008 (R2013) – Entertainment Technology – USITT DMX512-A, Asynchronous Serial Digital Data Transmission Standard for Controlling Lighting Equipment and Accessories.
- Fixtures are RDM compatible.
- Fixtures allow a universal input of 120V AC to 277V AC.
- Data termination shall utilize cage clamp terminal blocks, or equivalent. Wire nuts are not permissible and will void warranty.
- The method of line voltage termination, both for data and power, is at the discretion of the installing contractor, and/or engineer. Splicing and/or joining of cables must adhere to all applicable electrical codes.
- Cables must be spliced/joined in a weatherproof enclosure/junction box, which is to be properly rated and provided by others.

Model Number Builder

VI.	PL.	N	3	1	N	1	1	1	1	1	N	0	0
		Number of Head	Wattage per head	LED	CCT	Optics	Control	Pixel	Approbation	Mounting/ Add On	Color Finish	Cable/ Connector	
		4: 1-head	3 - 200W AC per Maxi head	1 - RGBW	1 - RGBW40 (4000K with Mid-Blue)	1 - 3°	1 - DMX/RDM	1 - 1 pixel per head	1 - CE & ETL	1 - 3G vibration	0 - TX Signature Gray	0 - Standard version	
		5: 2-head			2 - RGBW40 (4000K with Royal-Blue)						1 - Gray		
					3 - RGBA						2 - Black		
											3 - White		
EXAMPLE	VISTA PLUS MAXI 2x200W AC RGBW40(D) W/ROYAL-BLUE 3° TX-GRAY CE Model VI.PL.53121111100												
VI.	PL.	5	3	1	2	1	1	1	1	1	1	0	0

Project Model Number

VI.	PL.		3	1		1	1	1	1	1		0	0
-----	-----	--	---	---	--	---	---	---	---	---	--	---	---

Fixture

Model No.	Description	Item Code
VI.PL.43111111100	VISTA PLUS MAXI 1x200W AC RGBW40(D) W/MID-BLUE 3° TX-GRAY	DL26103655755
VI.PL.43121111100	VISTA PLUS MAXI 1x200W AC RGBW40(D) W/ROYAL-BLUE 3° TX-GRAY	DL26103655855
VI.PL.53111111100	VISTA PLUS MAXI 2x200W AC RGBW40(D) W/MID-BLUE 3° TX-GRAY	DL26103656255
VI.PL.53121111100	VISTA PLUS MAXI 2x200W AC RGBW40(D) W/ROYAL-BLUE 3° TX-GRAY	DL26103656355

Mounting Accessories

Model No.	Description	Item Code
N/A	VISTA PLUS POLE-MOUNTING SUPPORT	AM380750055
N/A	VISTA PLUS POLE-MOUNTING SUPPORT BL	AM380900055
N/A	VISTA PLUS POLE-MOUNTING SUPPORT WT	AM381050055
N/A	PROPOINT TERMINATION KIT	AM243520054

Optical Accessories

Model No.	Description	Item Code
N/A	VISTA PLUS 200W HALF SHIELD	AM380690055
N/A	VISTA PLUS 200W FULL SHIELD	AM380720055
N/A	VISTA PLUS 200W ROCK GUARD	AM380730055
N/A	VISTA PLUS 200W SPREAD MODULE - 5	AM380760055
N/A	VISTA PLUS 200W SPREAD MODULE - 8	AM380770055
N/A	VISTA PLUS 200W SPREAD MODULE - 10	AM380780055
N/A	VISTA PLUS 200W SPREAD MODULE - 15	AM380790055
N/A	VISTA PLUS 200W SPREAD MODULE - 20	AM380800055
N/A	VISTA PLUS 200W SPREAD MODULE - 30	AM380810055
N/A	VISTA PLUS 200W SPREAD MODULE - 40	AM380820055
N/A	VISTA PLUS 200W SPREAD MODULE - 55	AM380830055
N/A	VISTA PLUS 200W SPREAD MODULE - 80	AM380840055
N/A	VISTA PLUS 200W SPREAD MODULE - 50x10	AM380850055
N/A	VISTA PLUS 200W SPREAD MODULE - 50x5	AM380860055

Optical Accessories

Model No.	Description	Item Code
N/A	VISTA PLUS 200W HALF SHIELD BL	AM380870055
N/A	VISTA PLUS 200W FULL SHIELD BL	AM380880055
N/A	VISTA PLUS 200W ROCK GUARD BL	AM380890055
N/A	VISTA PLUS 200W SPREAD MODULE BL - 5	AM380910055
N/A	VISTA PLUS 200W SPREAD MODULE BL - 8	AM380920055
N/A	VISTA PLUS 200W SPREAD MODULE BL - 10	AM380930055
N/A	VISTA PLUS 200W SPREAD MODULE BL - 15	AM380940055
N/A	VISTA PLUS 200W SPREAD MODULE BL - 20	AM380950055
N/A	VISTA PLUS 200W SPREAD MODULE BL - 30	AM380960055
N/A	VISTA PLUS 200W SPREAD MODULE BL - 40	AM380970055
N/A	VISTA PLUS 200W SPREAD MODULE BL - 55	AM380980055
N/A	VISTA PLUS 200W SPREAD MODULE BL - 80	AM380990055
N/A	VISTA PLUS 200W SPREAD MODULE BL - 50x10	AM381000055
N/A	VISTA PLUS 200W SPREAD MODULE BL - 50x5	AM381010055
N/A	VISTA PLUS 200W HALF SHIELD WT	AM381020055
N/A	VISTA PLUS 200W FULL SHIELD WT	AM381030055
N/A	VISTA PLUS 200W ROCK GUARD WT	AM381040055
N/A	VISTA PLUS 200W SPREAD MODULE WT - 5	AM381060055
N/A	VISTA PLUS 200W SPREAD MODULE WT - 8	AM381070055
N/A	VISTA PLUS 200W SPREAD MODULE WT - 10	AM381080055
N/A	VISTA PLUS 200W SPREAD MODULE WT - 15	AM381090055
N/A	VISTA PLUS 200W SPREAD MODULE WT - 20	AM381100055
N/A	VISTA PLUS 200W SPREAD MODULE WT - 30	AM381110055
N/A	VISTA PLUS 200W SPREAD MODULE WT - 40	AM381120055
N/A	VISTA PLUS 200W SPREAD MODULE WT - 55	AM381130055
N/A	VISTA PLUS 200W SPREAD MODULE WT - 80	AM381140055
N/A	VISTA PLUS 200W SPREAD MODULE WT - 50x10	AM381150055
N/A	VISTA PLUS 200W SPREAD MODULE WT - 50x5	AM381160055

Note: Vista Plus 200W accessory is suitable for Vista Plus Maxi / Vista Plus HO Maxi.

